













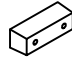







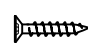
ASSEMBLY INSTRUCTION

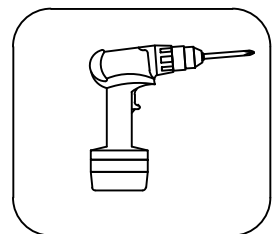
Mode: U0222

Description: ARMS WITH 2 BOOKSHELVES AND BLUETOOTH PEAKER
CHAISE WITH LIFT TABLE, BOOKCASE BASE, 2 STOOLS AND 1 PILLOW
LOVESEAT WITH PULL OUT AND 1 PILLOW

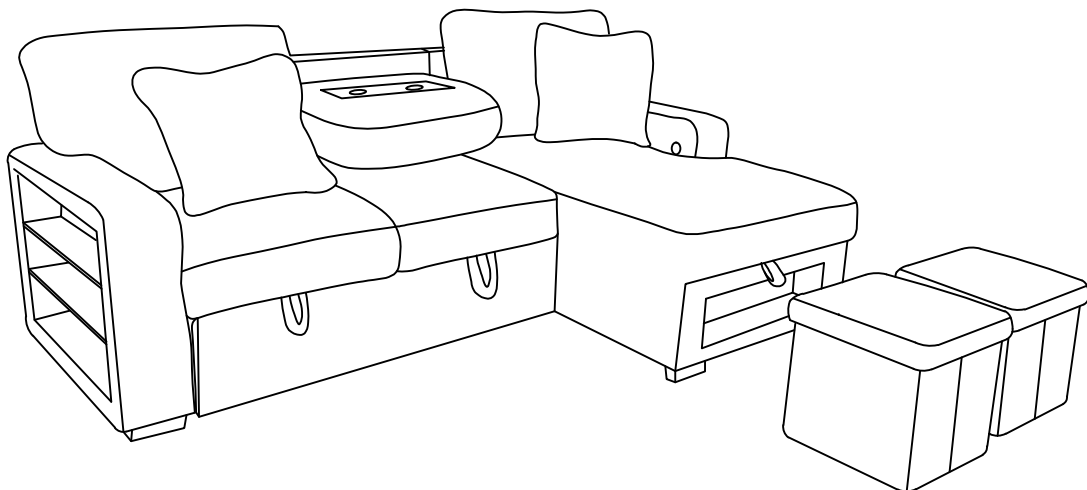
Thank you for purchasing this quality product. Be sure to check all packing material carefully for small parts that may have come loose inside the carton during shipment.

Part List:			
No.	Drawing	Qty	Description
A		1	LSF Arm
B		1	POP-UP Sleep Seat
C		1	Chaise Seat
D		1	RSF Arm
E		1	Love Seat Back Rest
F		1	Chaise Back Rest
G		1	LSF Back Cushion
H		1	RSF Back Cushion
I		2	Pillows
J		2	Stool Seat
K		2	Stool Body
L		2	Stool Bottom

Hardware List:				
No.	Description	Drawing	Size	Qty
M	Rectangle Leg			6
N	Round Leg			7
O	Rotating Wheel			4
P	Male brackets			4
Q	Plug			1
R	Plug			1
S	Cable Buckle			5
①	Screw		Ø8*50mm	19
②	Screw		Ø8*20mm	21



Not Included



ASSEMBLY INSTRUCTION

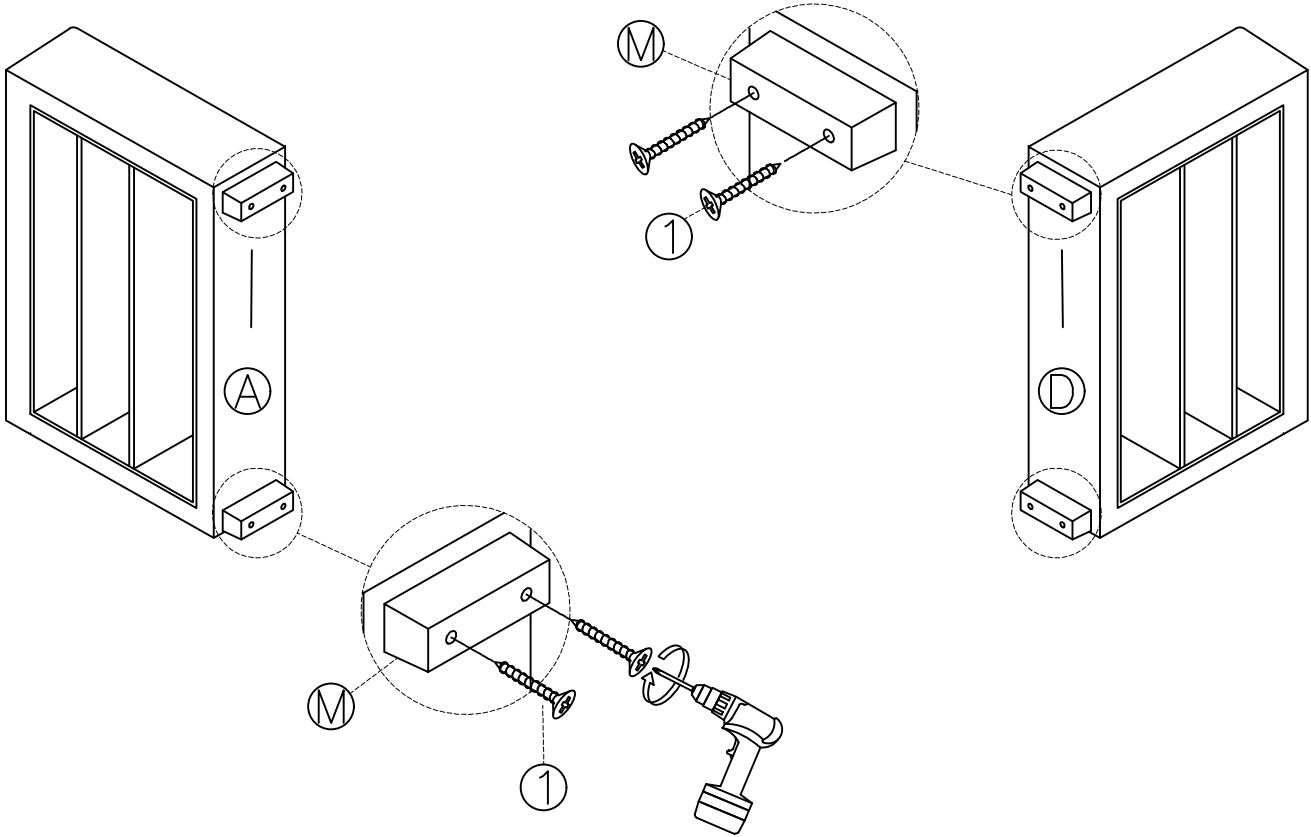
Mode: U0222

Description: ARMS WITH 2 BOOKSHELVES AND BLUETOOTH PEAKER
CHAISE WITH LIFT TABLE, BOOKCASE BASE, 2 STOOLS AND 1 PILLOW
LOVESEAT WITH PULL OUT AND 1 PILLOW

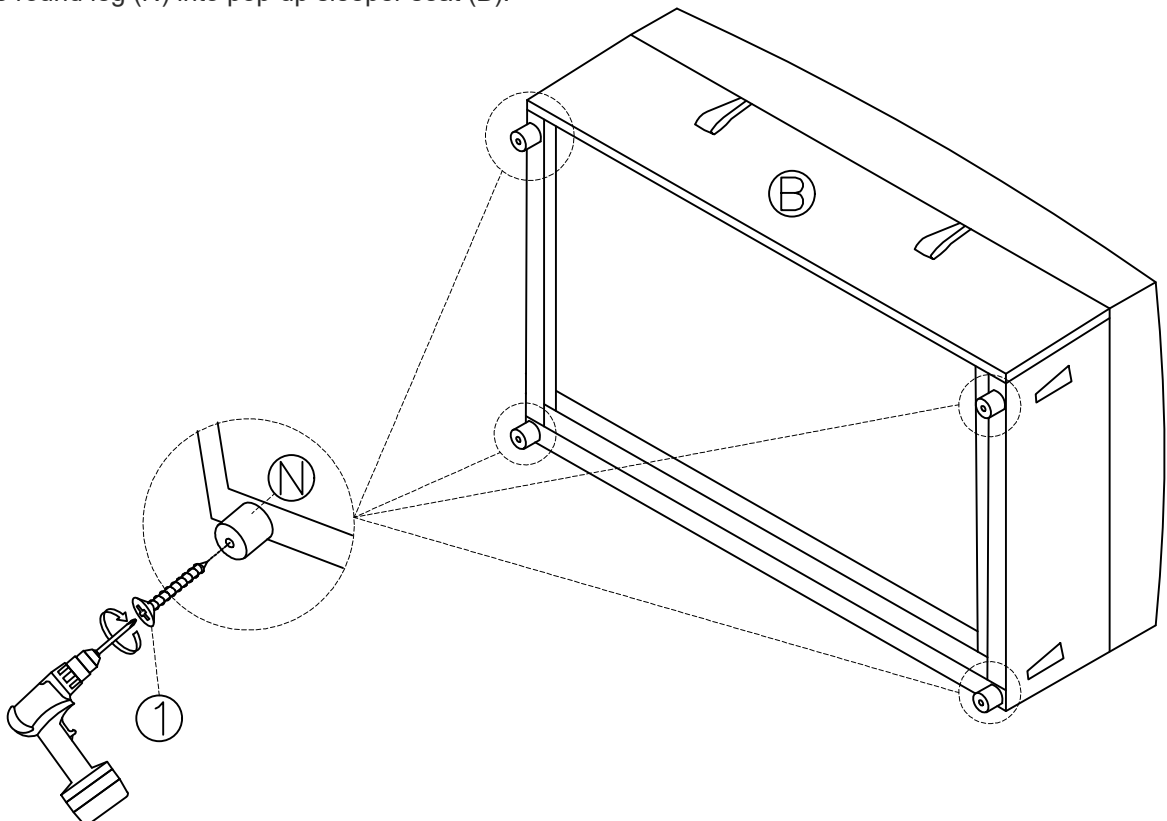
Thank you for purchasing this quality product. Be sure to check all packing material carefully for small parts that may have come loose inside the carton during shipment.

Step 1: Screw (1) up the Rectangle Legs (M) into LSF Arm (A).

Step 2: Screw (1) up the Rectangle Legs (M) into RSF Arm (D).



Step 3: Screw up the round leg (N) into pop-up sleeper seat (B).



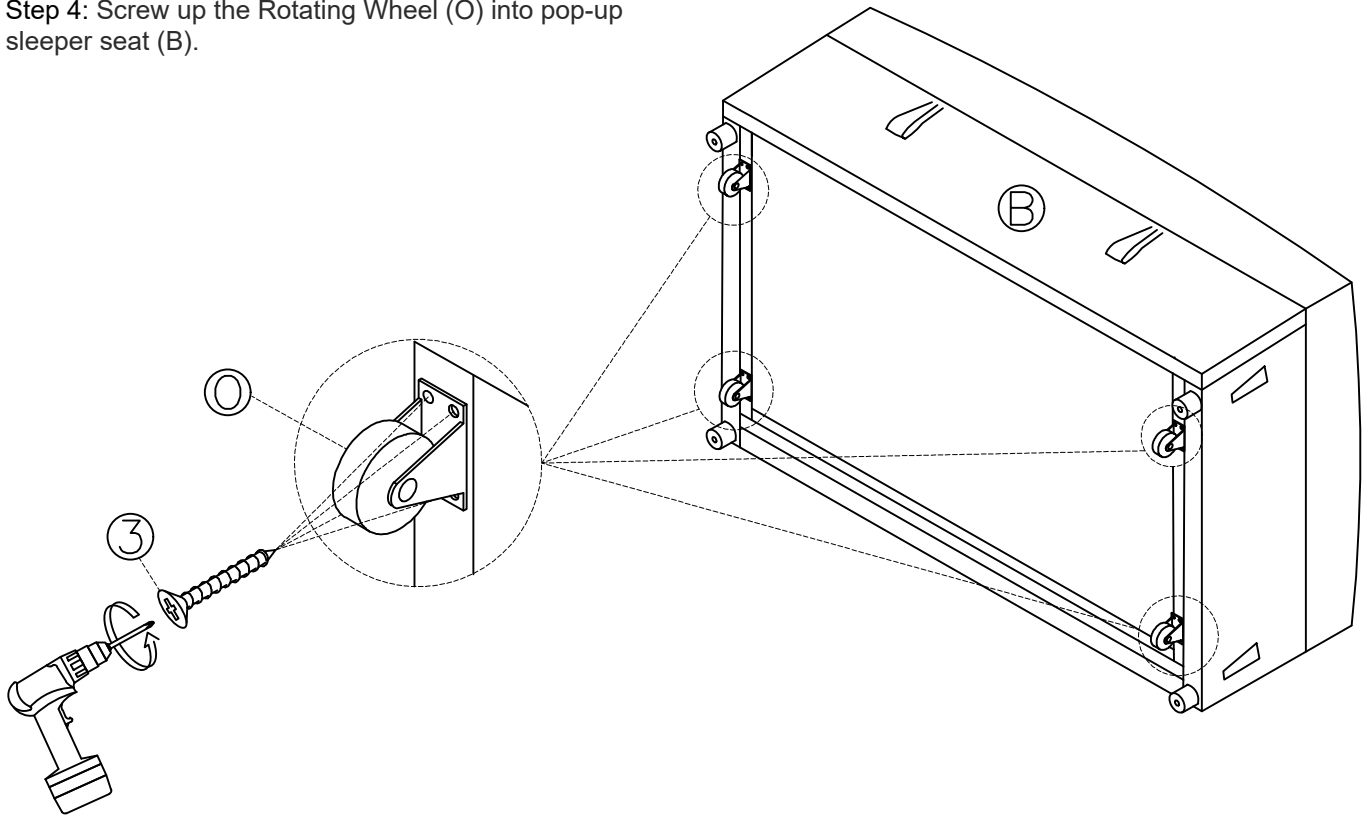
ASSEMBLY INSTRUCTION

Mode: U0222

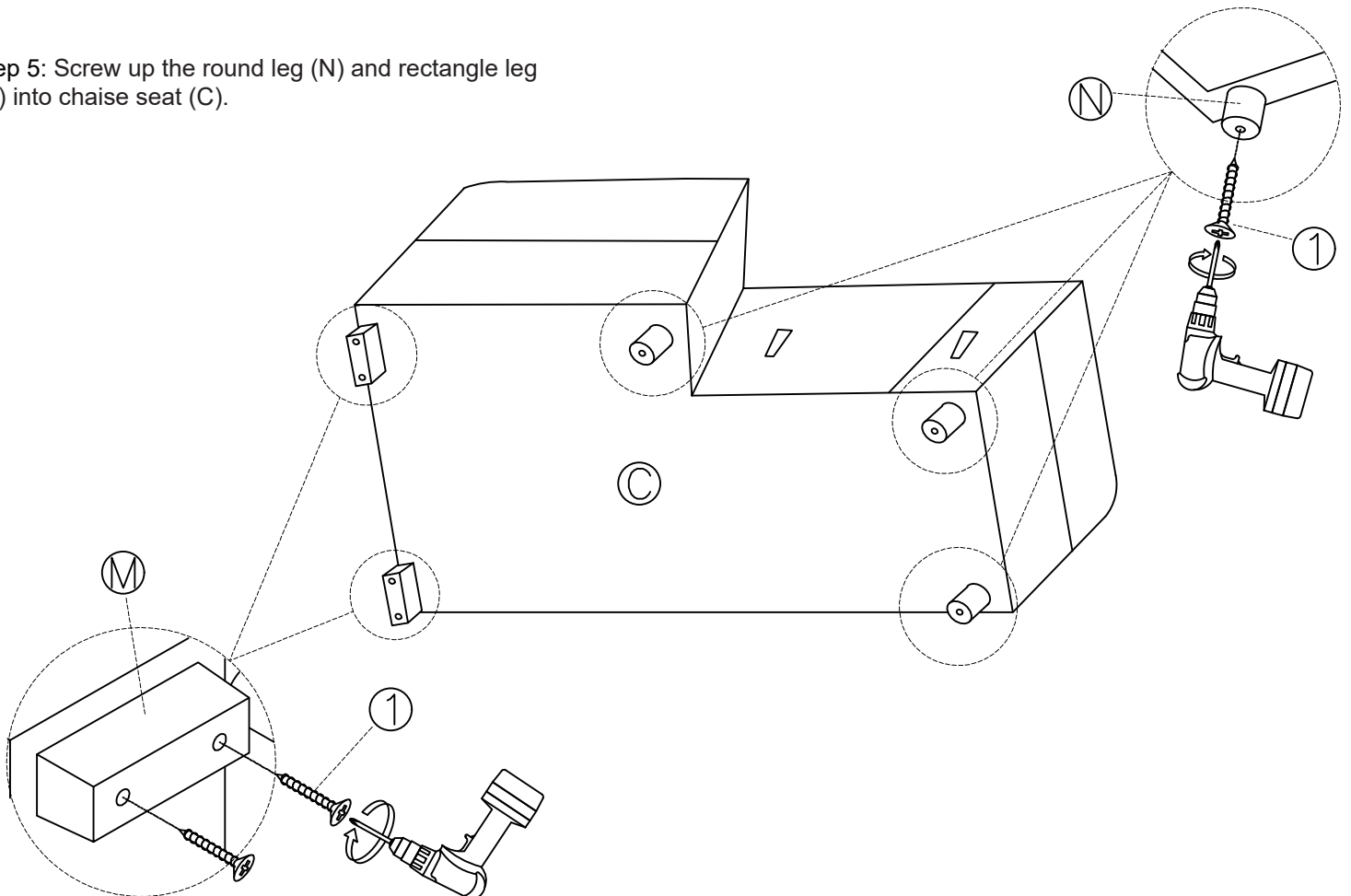
Description: ARMS WITH 2 BOOKSHELVES AND BLUETOOTH PEAKER
CHAISE WITH LIFT TABLE, BOOKCASE BASE, 2 STOOLS AND 1 PILLOW
LOVESEAT WITH PULL OUT AND 1 PILLOW

Thank you for purchasing this quality product. Be sure to check all packing material carefully for small parts that may have come loose inside the carton during shipment.

Step 4: Screw up the Rotating Wheel (O) into pop-up sleeper seat (B).



Step 5: Screw up the round leg (N) and rectangle leg (M) into chaise seat (C).



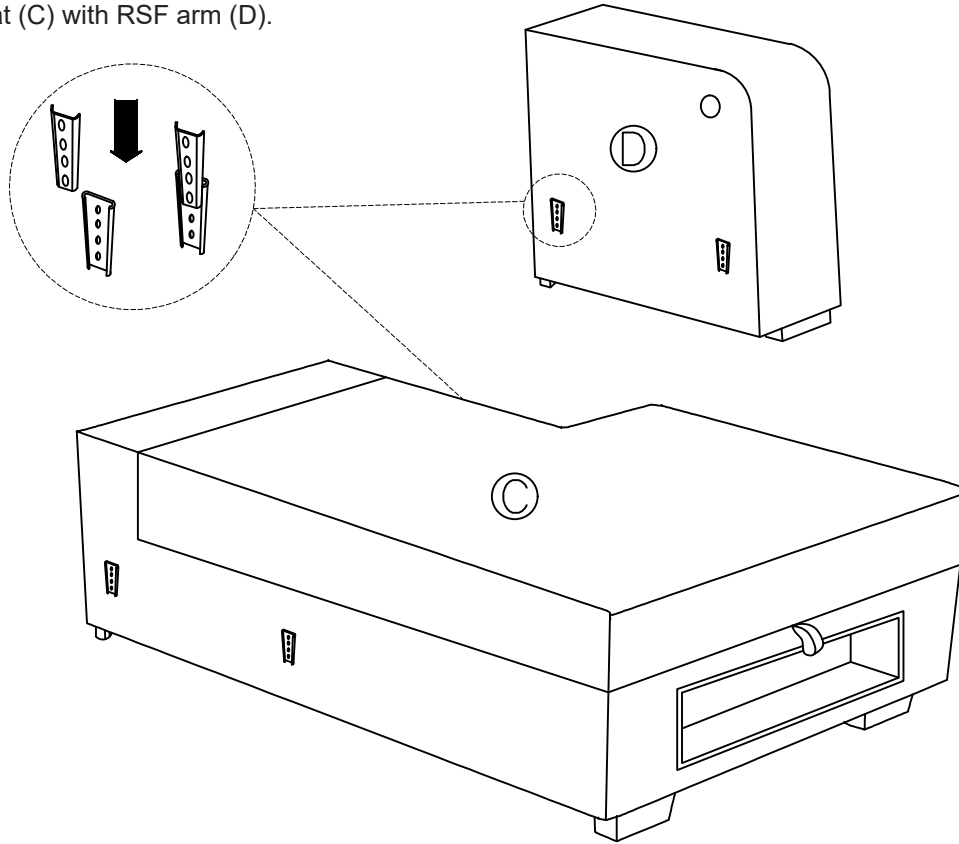
ASSEMBLY INSTRUCTION

Mode: U0222

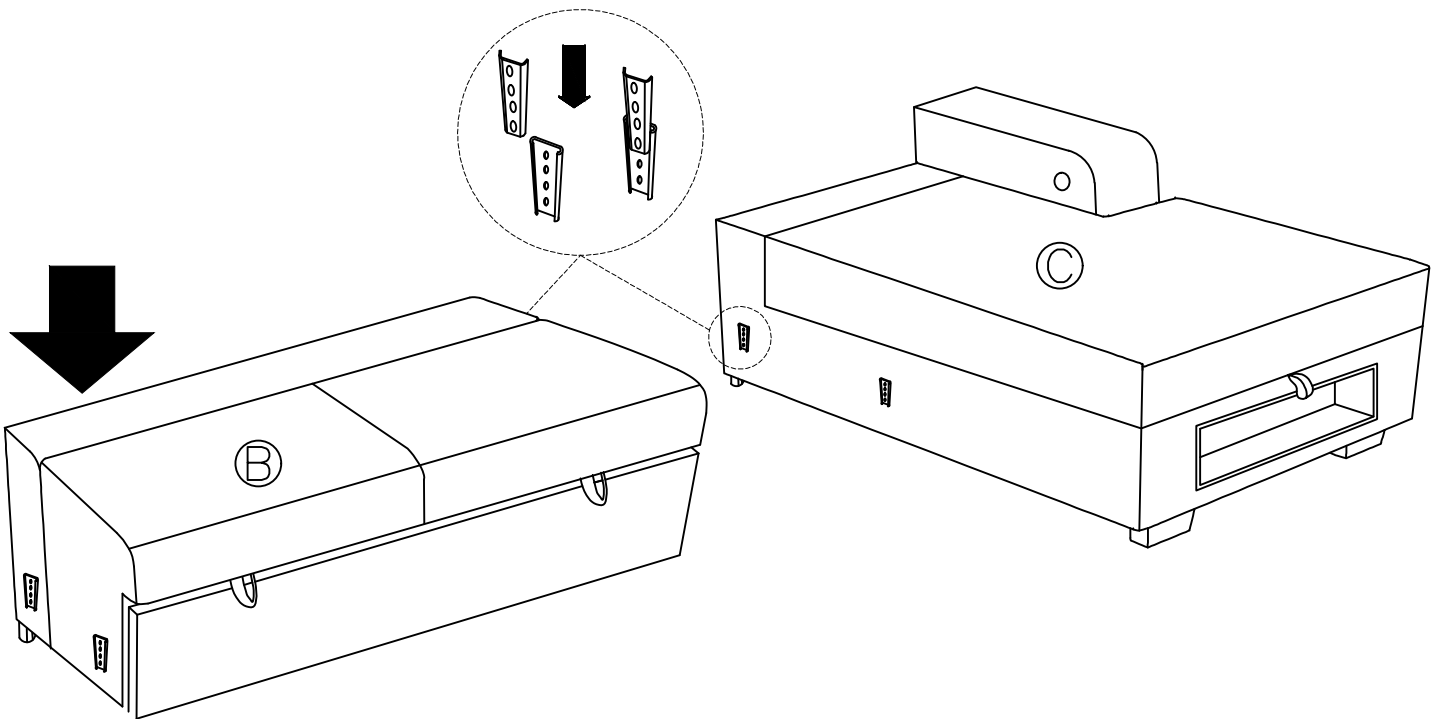
Description: ARMS WITH 2 BOOKSHELVES AND BLUETOOTH PEAKER
CHAISE WITH LIFT TABLE, BOOKCASE BASE, 2 STOOLS AND 1 PILLOW
LOVESEAT WITH PULL OUT AND 1 PILLOW

Thank you for purchasing this quality product. Be sure to check all packing material carefully for small parts that may have come loose inside the carton during shipment.

Step 6: Slide Chaise seat (C) with RSF arm (D).



Step 7: Slide POP-UP sleep seat (B) with Chaise seat (C).



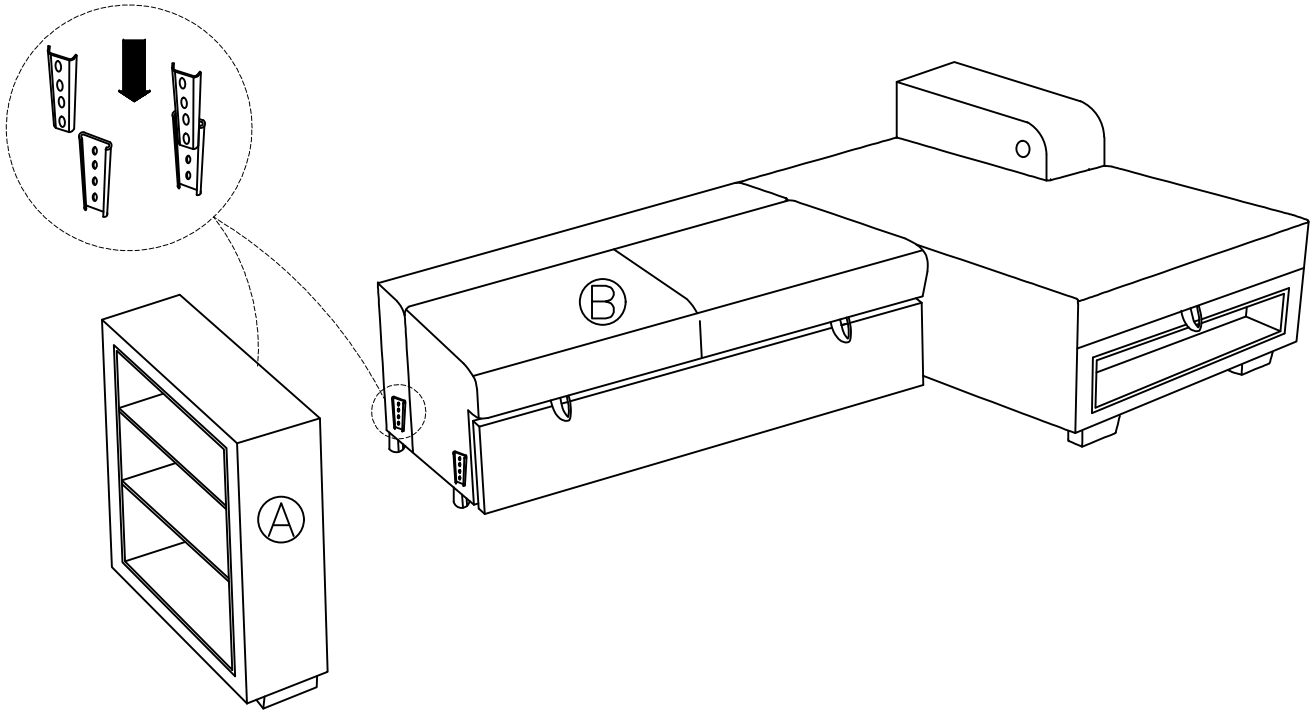
ASSEMBLY INSTRUCTION

Mode: U0222

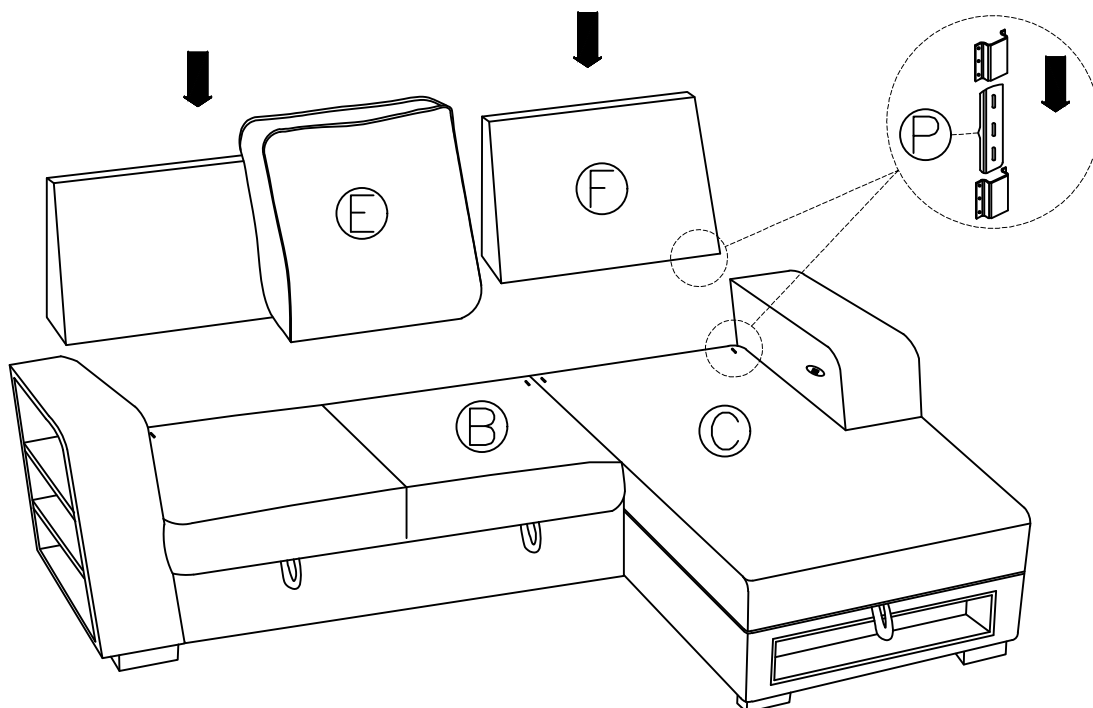
Description: ARMS WITH 2 BOOKSHELVES AND BLUETOOTH PEAKER
CHAISE WITH LIFT TABLE, BOOKCASE BASE, 2 STOOLS AND 1 PILLOW
LOVESEAT WITH PULL OUT AND 1 PILLOW

Thank you for purchasing this quality product. Be sure to check all packing material carefully for small parts that may have come loose inside the carton during shipment.

Step 8: Slide LSF arm (A) with POP-UP sleep seat (B).



Step 9: Slide Love seat back rest (E) and Chaise back rest (F) with Pop-up sleeper seat (B) and Chaise seat (C).



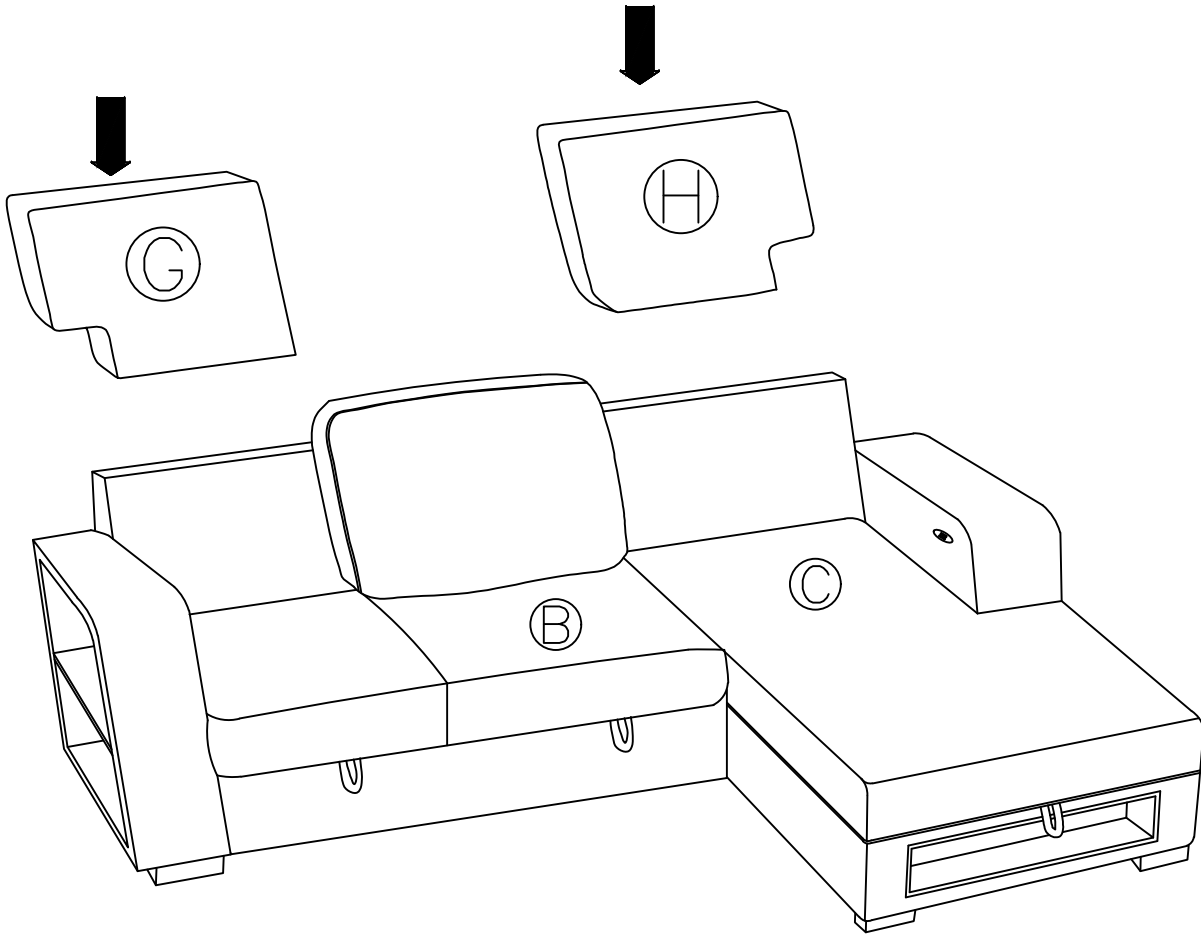
ASSEMBLY INSTRUCTION

Mode: U0222

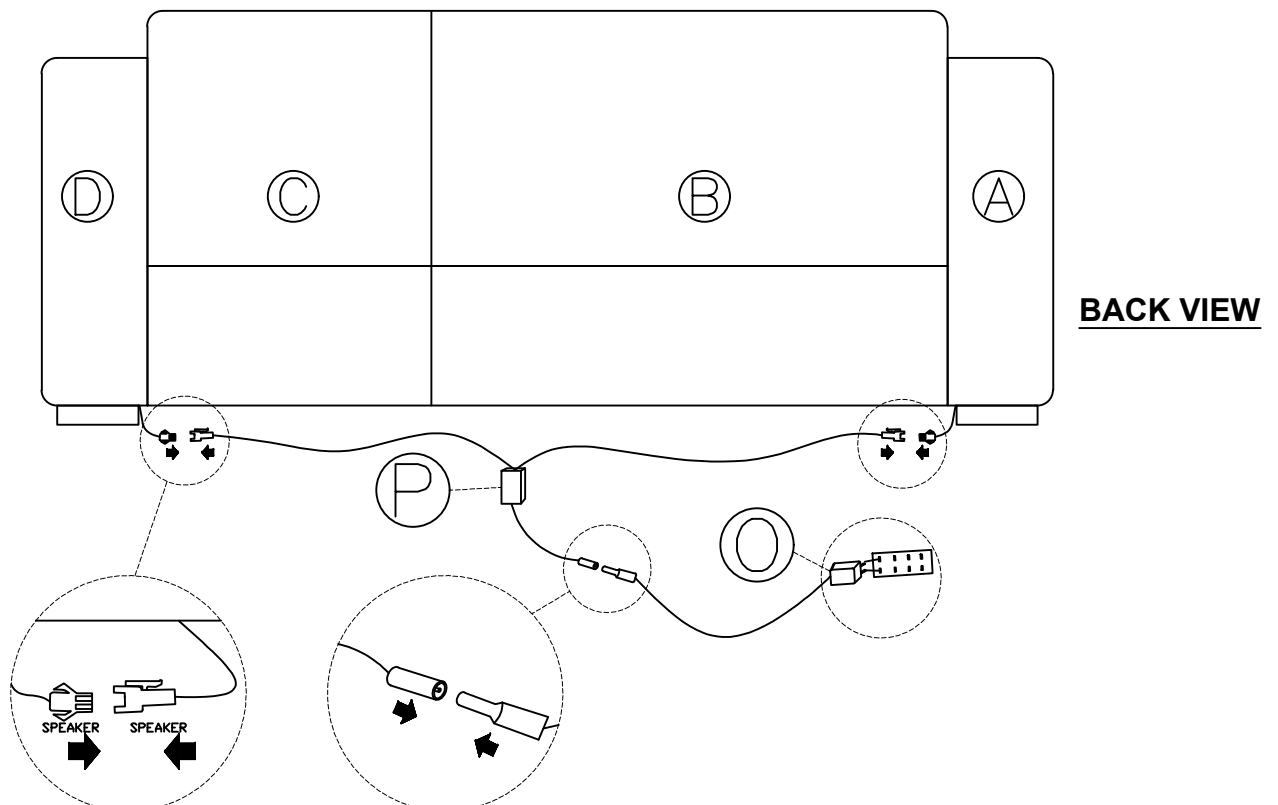
Description: ARMS WITH 2 BOOKSHELVES AND BLUETOOTH PEAKER
CHAISE WITH LIFT TABLE, BOOKCASE BASE, 2 STOOLS AND 1 PILLOW
LOVESEAT WITH PULL OUT AND 1 PILLOW

Thank you for purchasing this quality product. Be sure to check all packing material carefully for small parts that may have come loose inside the carton during shipment.

Step 10: Put LSF back cushion (G), RSF back cushion (H) on the Chaise seat (C) and POP-UP sleeper seat (B).



Step 11:



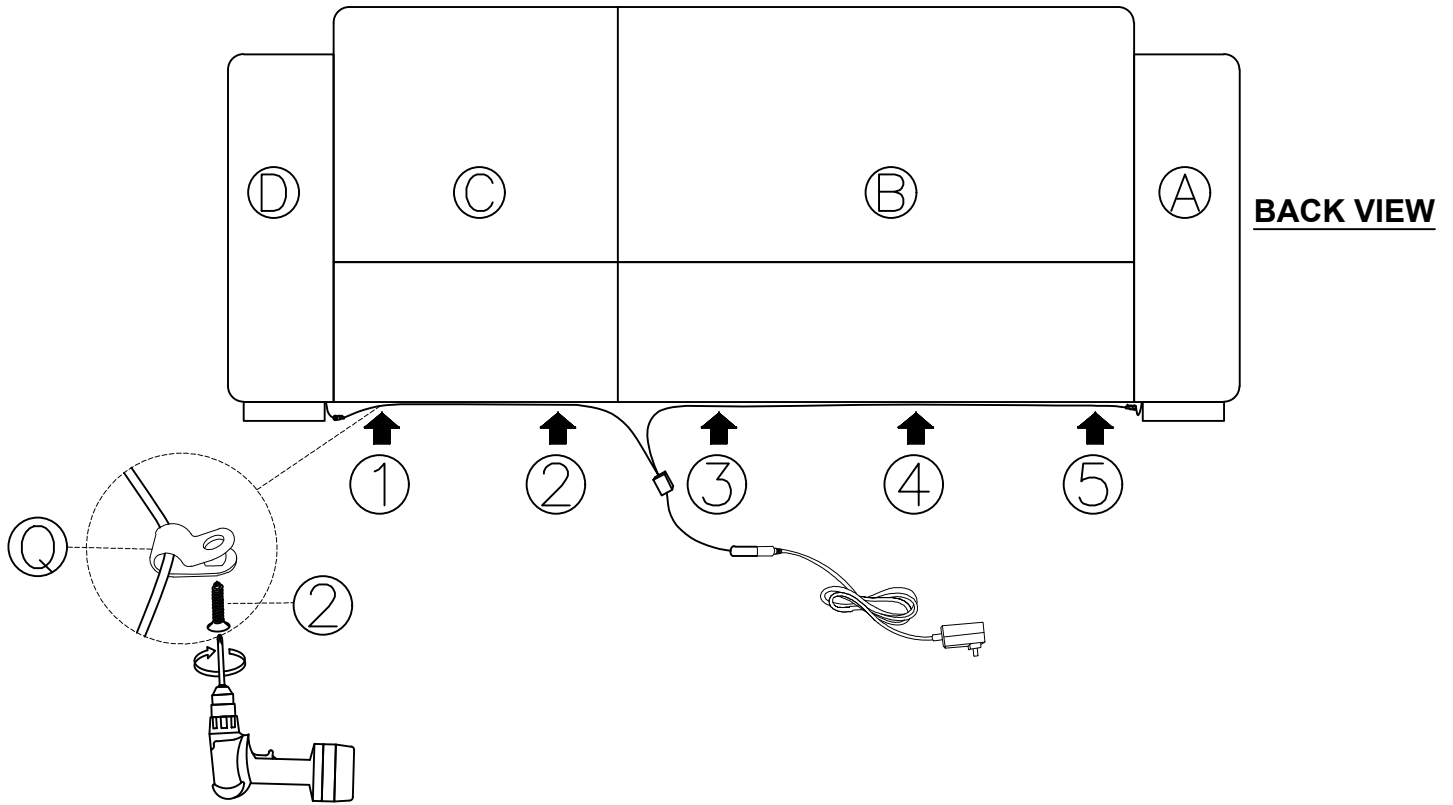
ASSEMBLY INSTRUCTION

Mode: U0222

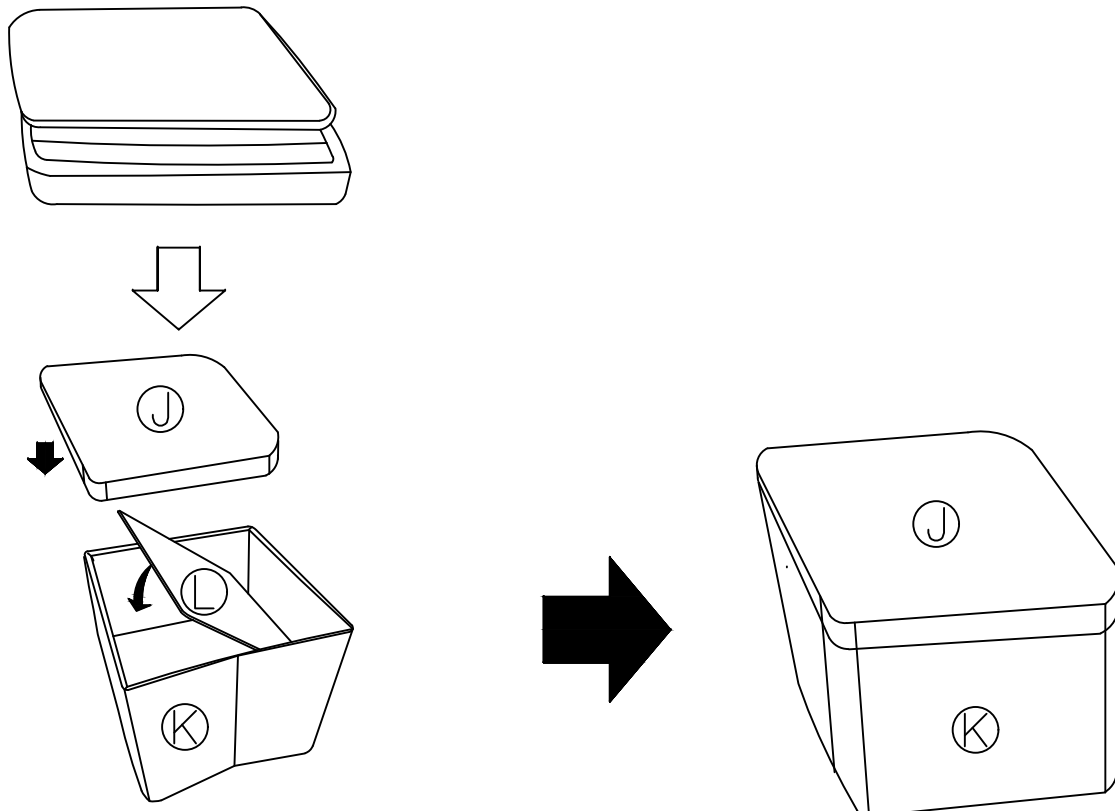
Description: ARMS WITH 2 BOOKSHELVES AND BLUETOOTH PEAKER
CHAISE WITH LIFT TABLE, BOOKCASE BASE, 2 STOOLS AND 1 PILLOW
LOVESEAT WITH PULL OUT AND 1 PILLOW

Thank you for purchasing this quality product. Be sure to check all packing material carefully for small parts that may have come loose inside the carton during shipment.

Step 12:



Step 13: Stool Seat (J), Stool Bottom(L), Stool Body(K)



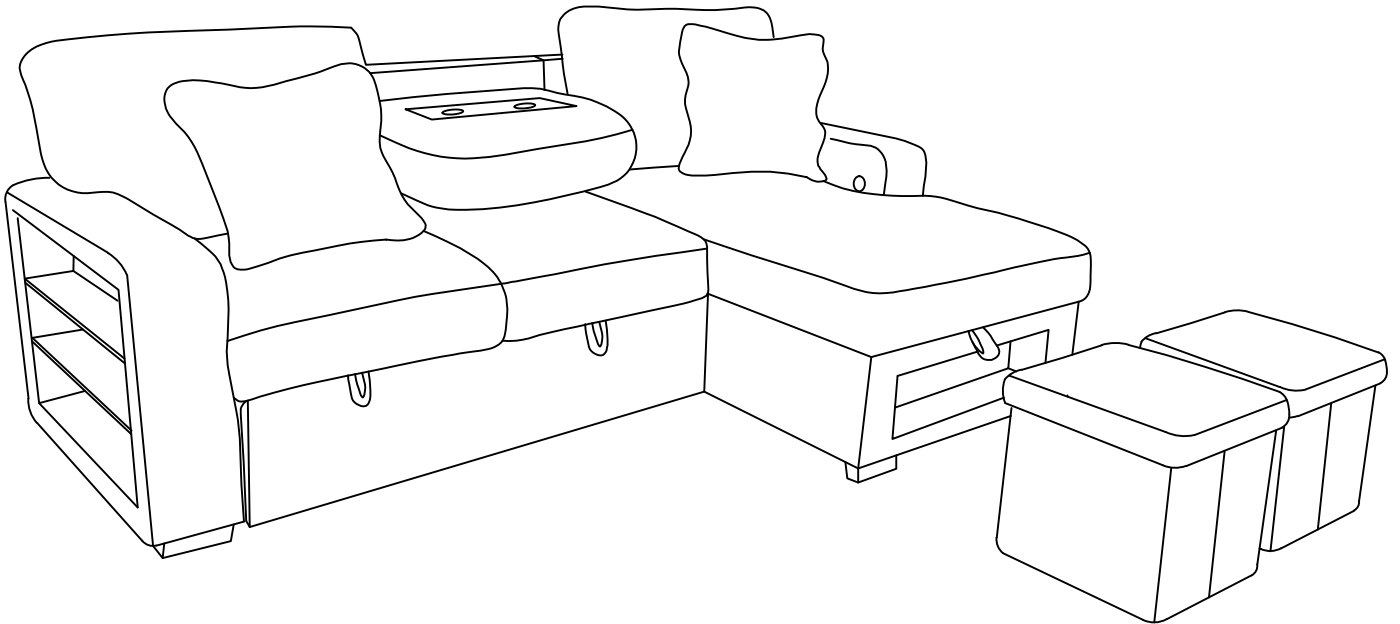
ASSEMBLY INSTRUCTION

Mode: U0222

Description: ARMS WITH 2 BOOKSHELVES AND BLUETOOTH PEAKER
CHAISE WITH LIFT TABLE, BOOKCASE BASE, 2 STOOLS AND 1 PILLOW
LOVESEAT WITH PULL OUT AND 1 PILLOW

Thank you for purchasing this quality product. Be sure to check all packing material carefully for small parts that may have come loose inside the carton during shipment.

Step 14:



Step 15: Completed.

