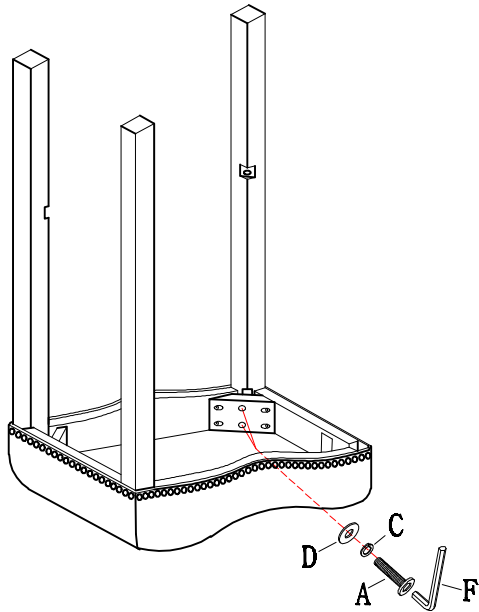


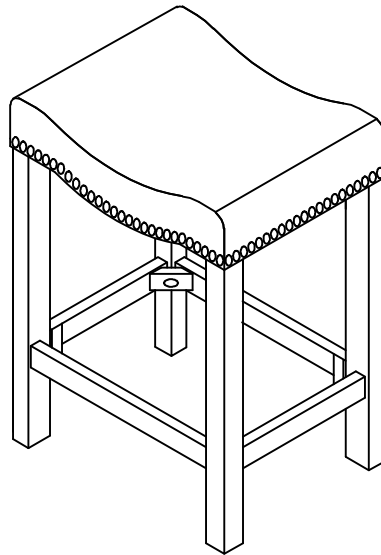
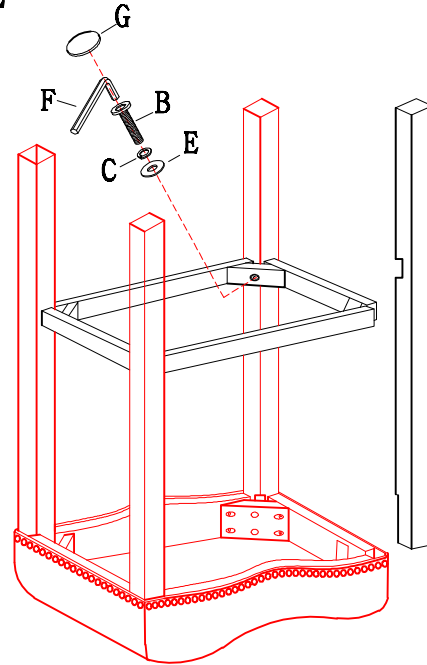
# ASSEMBLY INSTRUCTION

## Item NO. LCAVSI CENURY MODERN CHAIR


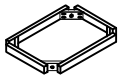
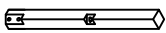
### Step 1










### Step 2



### PARTS LIST

QTY	PARTS LIST	DESCRIPTION	QTY
1		BACK	1PC
2		SEAT FRAME	1PC
3		LEG	4PCS

### HARDWARE LIST

QTY	HARDWARE LIST	DESCRIPTION	QTY
A		BOLT (1/4"*1-3/4"L)	8PCS
B		BOLT (1/4"*1-3/4"L)	4PCS
C		SPRING WASHER 1/4"	12PCS
D		FLAT WASHER 1/4"x19mm	8PCS
E		FLAT WASHER 1/4"x16mm	4PCS
F		ALLEN WRENCH (Ø1/4")	1PC
G		STOPPER Ø25mm	4PCS