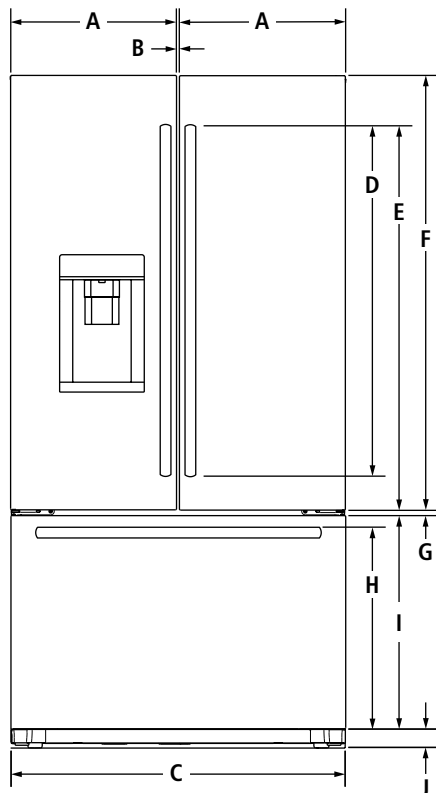


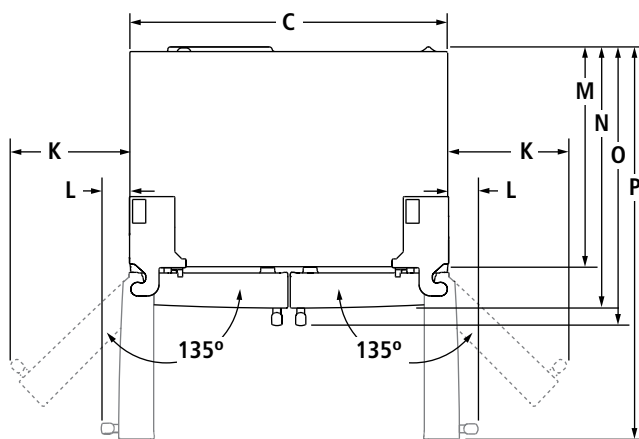
72" COUNTER-DEPTH FRENCH DOOR REFRIGERATORS WITH EXTERNAL DISPENSER

JFFCC72EH – 35<sup>3</sup>/<sub>4</sub>" x 71<sup>15</sup>/<sub>16</sub>" x 32<sup>1</sup>/<sub>5</sub>" (with handles)

PRODUCT DIMENSIONS



FRONT VIEW



TOP VIEW

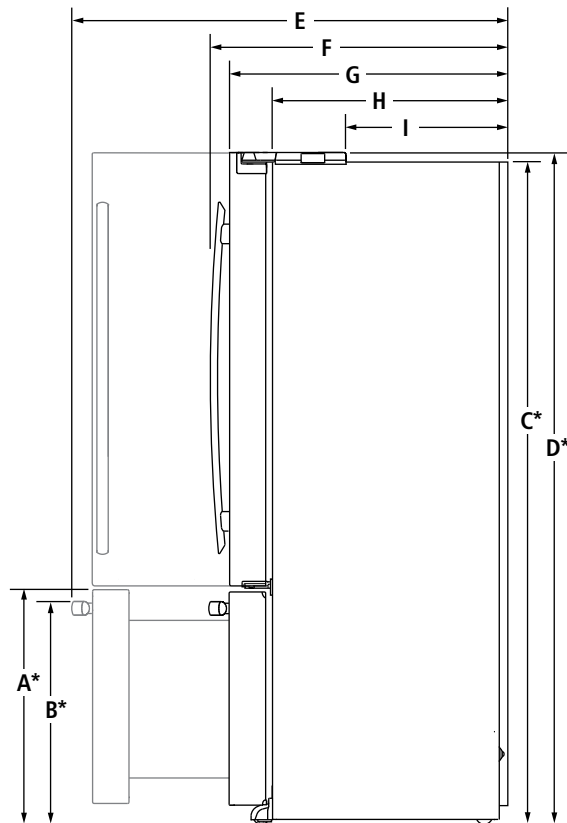
MODEL #		JFFCC72EH	
		in	cm
A	Width of each door	17 <sup>1</sup> / <sub>16</sub>	45.0
B	Space between doors	<sup>3</sup> / <sub>8</sub>	0.9
C	Overall width	35 <sup>3</sup> / <sub>4</sub>	90.5
D	Height of door handles		
	RISE™ Stainless	32 <sup>2</sup> / <sub>3</sub>	82.9
E	Height to top of door handles		
	RISE™ Stainless	38 <sup>2</sup> / <sub>3</sub>	98.2
F	Height of doors	46 <sup>1</sup> / <sub>2</sub>	118.2
G	Space between doors and drawer	<sup>1</sup> / <sub>2</sub>	1.2
H	Height to top of drawer handle		
	RISE™ Stainless	21 <sup>3</sup> / <sub>4</sub>	55.3
I	Height of drawer	23	58.4
J	Height of grille	1 <sup>1</sup> / <sub>2</sub>	3.9
K	Width from side of refrigerator to handle – door fully open 135°	11	35.5
	RISE™ Stainless		
L	Width from side of refrigerator to handle – door open 90°		
	RISE™ Stainless	4 <sup>1</sup> / <sub>3</sub>	11.0
M	Depth without doors	24 <sup>5</sup> / <sub>8</sub>	62.6
N	Depth with doors	29 <sup>5</sup> / <sub>16</sub>	74.4
O	Depth with handles		
	RISE™ Stainless	30 <sup>1</sup> / <sub>16</sub>	81.1
P	Depth with doors open 90°	44	111.7

**IMPORTANT:** Dimensional specifications are provided for planning purposes only. Do not make any cutouts based on this information. Refer to the Installation Guide before selecting cabinetry, verifying electrical/gas connections, making cutouts or beginning installation. All Jenn-Air® appliances are appropriately UL, CUL or CSA approved.

72" COUNTER-DEPTH FRENCH DOOR REFRIGERATORS WITH EXTERNAL DISPENSER

JFFCC72EH – 35<sup>3</sup>/<sub>4</sub>" x 71<sup>15</sup>/<sub>16</sub>" x 32<sup>1</sup>/<sub>5</sub>" (with handles)

DIMENSIONS AS INSTALLED



SIDE VIEW

MODEL #		JFFCC72EH	
		in	cm
A*	Height to top of drawer (min.)	24 <sup>15</sup> / <sub>16</sub>	63.3
B*	Height to top of drawer handle (min.)	23 <sup>3</sup> / <sub>8</sub>	60.4
	RISE™ Stainless		
C*	Height of recessed refrigerator (min.)	70 <sup>15</sup> / <sub>16</sub>	180.1
D*	Height to top of hinges (min.)	71 <sup>15</sup> / <sub>16</sub>	182.7
E	Depth with drawer fully open including drawer handle (min.)	46 <sup>7</sup> / <sub>8</sub>	118.8
	RISE™ Stainless		
F	Depth with handles (min.)	32 <sup>3</sup> / <sub>4</sub>	83.1
	RISE™ Stainless		
G	Depth with doors (min.)	29 <sup>5</sup> / <sub>16</sub>	74.4
H	Depth without doors (min.)	24 <sup>5</sup> / <sub>8</sub>	62.6
I	Depth to back of hinges (min.)	16 <sup>3</sup> / <sub>4</sub>	42.6

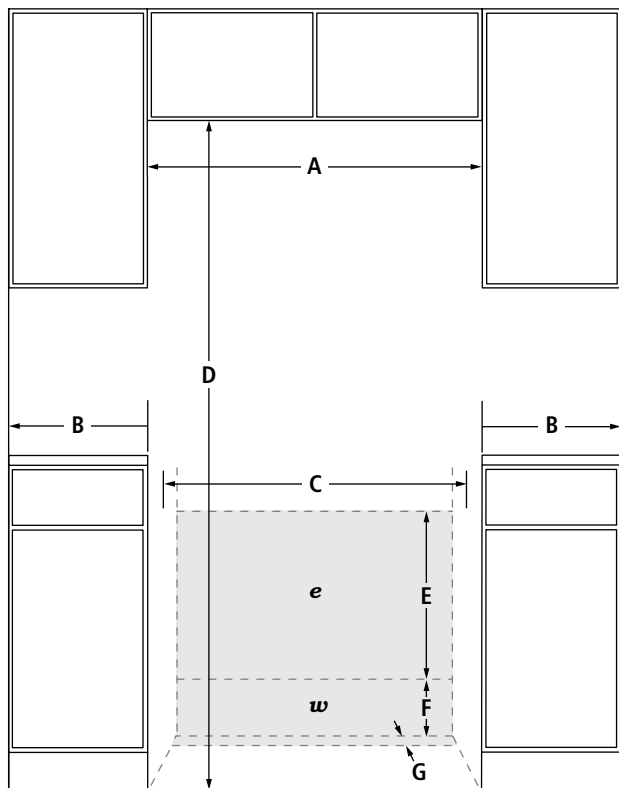
\*Add 3/4" (1.9 cm) to the height dimension when leveling legs are fully extended.

**IMPORTANT:** Dimensional specifications are provided for planning purposes only. Do not make any cutouts based on this information. Refer to the Installation Guide before selecting cabinetry, verifying electrical/gas connections, making cutouts or beginning installation. All Jenn-Air® appliances are appropriately UL, CUL or CSA approved.

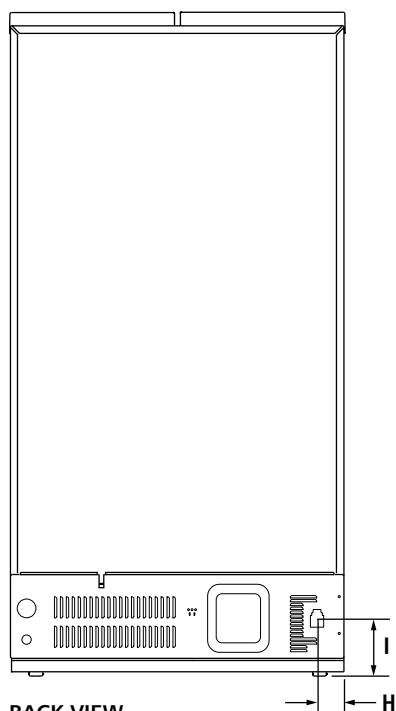
72" COUNTER-DEPTH FRENCH DOOR REFRIGERATORS WITH EXTERNAL DISPENSER

JFFCC72EH – 35¾" x 71⅙" x 32⅙" (with handles)

OPENING/CLEARANCE DIMENSIONS



FRONT VIEW



BACK VIEW

MODEL #		JFFCC72EH	
		in	cm
<b>A</b>	Width (min.)	36¾	93.3
<b>B</b>	Minimum width from side of refrigerator to fixed wall – door open 90°	¾	9.5
	Minimum width from side of refrigerator to fixed wall – door open approx. 135°	12	30.5
<b>C</b>	Width of recommended electrical/water installation area	35½	90.2
<b>D</b>	Height (min.)	72⅙	184.0
<b>E</b>	Height of recommended electrical installation area (min.-max.)	24-36	61.0-91.4
<b>F</b>	Height of recommended water installation area	12	30.5
<b>G</b>	Depth of recommended water installation area	1	2.5
<b>H</b>	Water line location – distance from side	2½	6.4
<b>I</b>	Water line location – distance from bottom	7	17.8
<b>e</b>	Recommended electrical connection location		
<b>w</b>	Recommended water connection location		

**ELECTRICAL REQUIREMENTS**

115 volt, 60 Hz, AC only, 15- or 20-amp fused, grounded circuit is required. A dedicated circuit is recommended. Use an outlet that cannot be turned off by a switch.

Minimum length of power cord is 60" (152.0 cm). Do not use an extension cord.

**WATER PRESSURE REQUIREMENTS**

A cold water supply with water pressure between 30 and 120 psi (207 and 827 kPa) is required to operate the water dispenser and ice maker. Call a licensed, qualified plumber with any questions about the water pressure.

**Reverse Osmosis Water Supply**

**IMPORTANT:** The pressure of the water coming out of a reverse osmosis system going to the water inlet valve of the refrigerator needs to be between 30 and 120 psi (207 and 827 kPa).

If a reverse osmosis water filtration system is connected to the cold water supply, the water pressure to the reverse osmosis system needs to be a minimum of 40 to 60 psi (276 to 414 kPa).

**IMPORTANT:** Dimensional specifications are provided for planning purposes only. Do not make any cutouts based on this information. Refer to the Installation Guide before selecting cabinetry, verifying electrical/gas connections, making cutouts or beginning installation. All Jenn-Air® appliances are appropriately UL, CUL or CSA approved.

