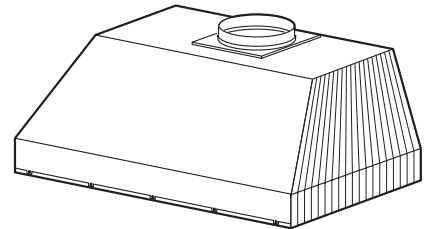


# CP57IQ SERIES RANGE HOODS



All-in-one design includes liner, blower, filtration, controls, lighting, and damper for easy installation into custom canopy hoods. Intended for all residential applications, including commercial-style cooking surfaces.

### FEATURES

- Cabinet mount - custom applications
- Finish: 430 Stainless Steel #4 Brushed
- Widths: 34-3/8", 46-3/8", 52-3/8", 58-3/8", 64-3/8"
- Depth: 19-1/4" (34-3/8" & 46-3/8" Widths only), 22-1/2" (All Widths except 34-3/8")
- 10" round duct connector with backdraft damper
- 1-level LED lighting (2 LED modules - 34-3/8" & 46-3/8" Widths, 4 LED modules - 52-3/8", 58-3/8" & 64-3/8" Widths) 6 Watts max., 3000K nominal
- Easily accessible, dishwasher safe stainless steel Hi-Flow™ baffle filters with handles
- 4-speed electronic blower control
- Quiet iQ12 blower system with high efficiency BLDC motor
- Heat Sentry™ - automatically turns blower to high speed when excess cooking heat is detected
- Delay timer control automatically shuts off range hood after 10 minutes
- Special control indicates when it's time to clean the filter
- For indoor use only
- Remote control (optional) (Model ACR3)
- Universal Make-Up Air Damper (optional) (Models MD6TU, MD8TU, MD10TU)

### SPECIFICATIONS

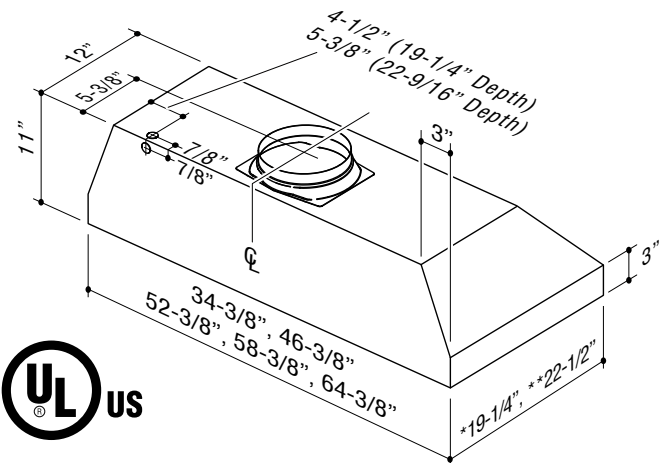
VOLTS	AMPS	CFM / SONES (Boost)	CFM / SONES (High Speed)	CFM / SONES (Med. Speed)	CFM / SONES (Low Speed)	DUCT
120	8.3	1100 / 10.0	875 / 7.0	625 / 4.0	310 / <0.3	10" round

This product was tested by Broan-NuTone for airflow performance using the ANSI/AMCA 210 Standard, which is equivalent to the Home Ventilating Institute HVI 916 - Procedure for Air Flow Testing, and tested for sound performance using the ANSI S12.51 Standard, which is equivalent to the Home Ventilating Institute HVI 915 - Procedure for Loudness Rating of Residential Fan Products.

BEST Hartford, Wisconsin [www.BestRangeHoods.com](http://www.BestRangeHoods.com) 800-558-1711  
 BEST Drummondville, QC, Canada [www.BestRangeHoods.com](http://www.BestRangeHoods.com) 866-737-7770

### iQ12 - 1200 CFM Blower System providing:

- Best in class quiet operation.
- Up to 30% faster smoke and odor removal than comparable models.
- Up to 22x more energy efficient than comparable models.
- Guaranteed Performance System (GPS) technology calibrates the hood system to every installation to provide up to 30% more CFM than standard range hoods.
- Using a duct reducer with this hood may prevent the product from calibrating.

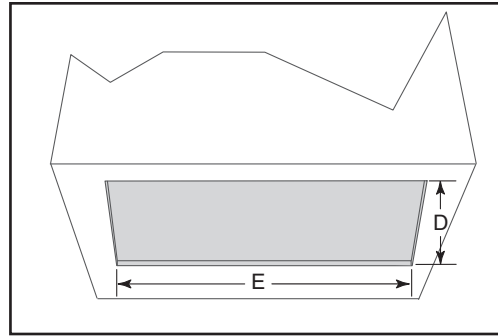


\* 19-1/4" Depth available in 34-3/8" & 46-3/8" Widths only.  
 \*\* 22-1/2" Depth available in all Widths except 34-3/8"

REFERENCE	QTY.	REMARKS	Project
			Location
			Architect
			Engineer
			Contractor
			Submitted by
			Date

To minimize the gap around the power pack, take actual width and depth measurements of power pack and add 1/16" to get D and E measurements. Cut the hole in the bottom of the cabinet according to dimensions. See chart and illustration for details.

POWER PACK		CUTOUT DIMENSIONS	
SERIES	WIDTH	D	E
CP571Q	36"	19 <sup>3</sup> / <sub>8</sub> "	34 <sup>1</sup> / <sub>2</sub> "
	48"	19 <sup>3</sup> / <sub>8</sub> "	46 <sup>1</sup> / <sub>2</sub> "
	48"	22 <sup>5</sup> / <sub>8</sub> "	46 <sup>1</sup> / <sub>2</sub> "
	54"	22 <sup>5</sup> / <sub>8</sub> "	52 <sup>1</sup> / <sub>2</sub> "
	60"	22 <sup>5</sup> / <sub>8</sub> "	58 <sup>1</sup> / <sub>2</sub> "
	66"	22 <sup>5</sup> / <sub>8</sub> "	64 <sup>1</sup> / <sub>2</sub> "



## CP571Q SERIES HOOD SYSTEM

