






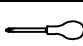


# ASSEMBLY INSTRUCTIONS

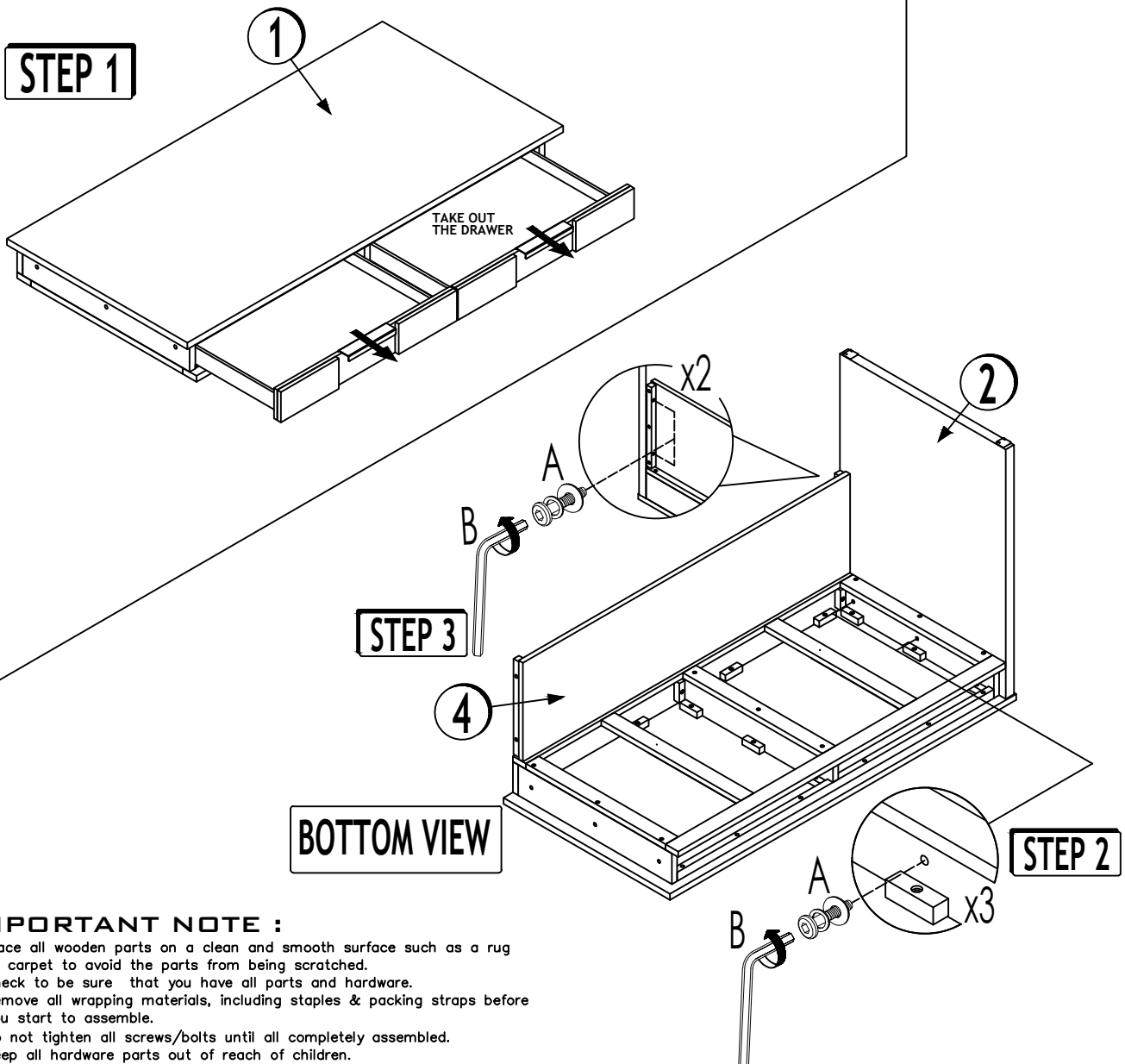
## B6830 / B6832 / B6835 - DESK

### RANGLEY

CRWN

BOX OF WRITING DESK							
PARTS LIST				HARDWARE LIST			
NO.	DESCRIPTION	SKETCH	QTY	NO.	DESCRIPTION	SKETCH	QTY
1	BODY		1	A	JCBC ( M6 x 40mm ) W/FLAT WASHER & SPRING WASHER		10
2	SIDE PANEL LEFT		1	B	ALLEN KEY ( M4 )		1
3	SIDE PANEL RIGHT		1	C	PANHEAD (M4 x 30mm)		2
4	BACK PANEL		1	D	SCREW DRIVER (*)		1

\*The manufacturer does not provide item D.



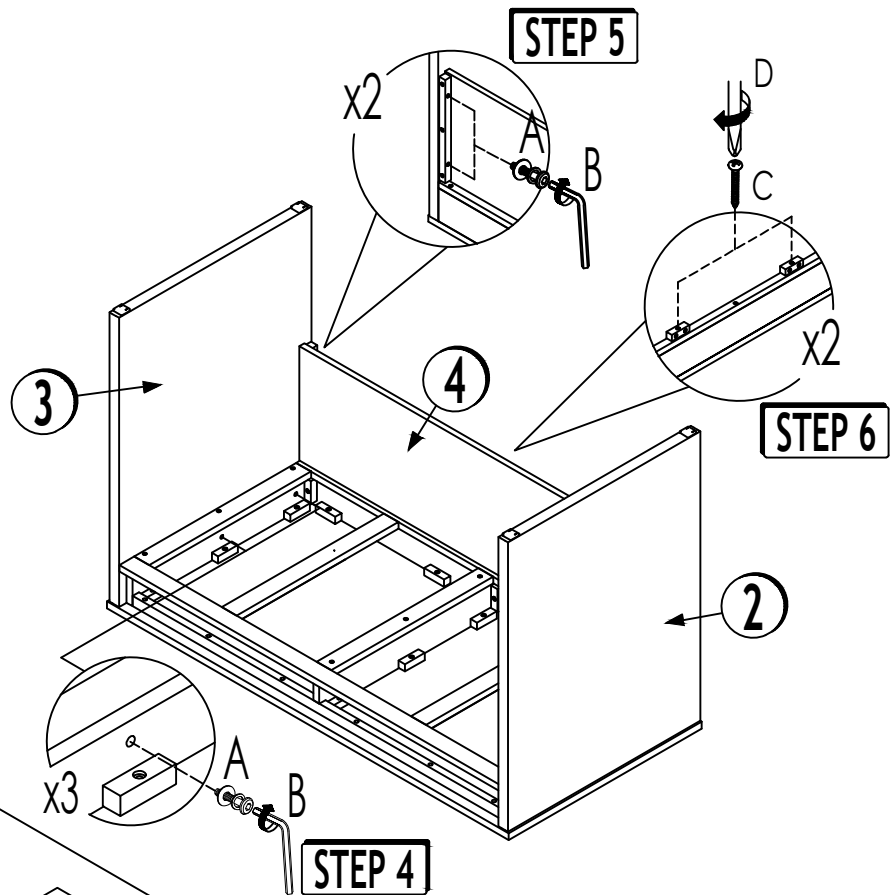
#### IMPORTANT NOTE :

- \* Place all wooden parts on a clean and smooth surface such as a rug or carpet to avoid the parts from being scratched.
- \* Check to be sure that you have all parts and hardware.
- \* Remove all wrapping materials, including staples & packing straps before you start to assemble.
- \* Do not tighten all screws/bolts until all completely assembled.
- \* Keep all hardware parts out of reach of children.
- \* Periodically check to ensure that all connectors (bolts, screws, etc.) are tight.

THE HARDWARE IS LOCATED IN THE PACKING ITEMS

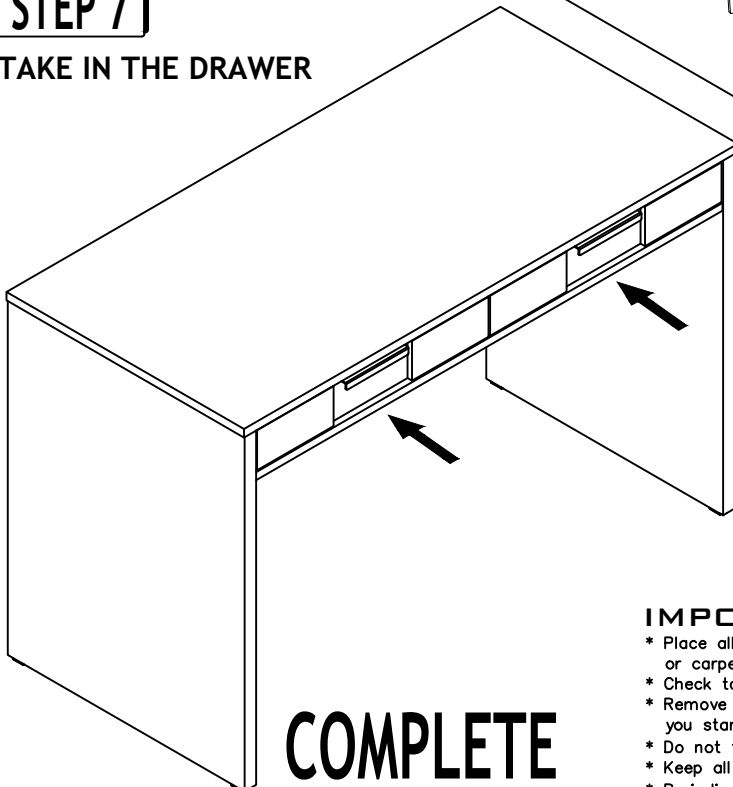
**ASSEMBLY INSTRUCTIONS**  
**B6830 / B6835 - DESK**  
**RANGLEY**

**CRWN**



**STEP 7**

**TAKE IN THE DRAWER**



**IMPORTANT NOTE :**

- \* Place all wooden parts on a clean and smooth surface such as a rug or carpet to avoid the parts from being scratched.
- \* Check to be sure that you have all parts and hardware.
- \* Remove all wrapping materials, including staples & packing straps before you start to assemble.
- \* Do not tighten all screws/bolts until all completely assembled.
- \* Keep all hardware parts out of reach of children.
- \* Periodically check to ensure that all connectors (bolts, screws, etc.) are tight.