

REGENCY

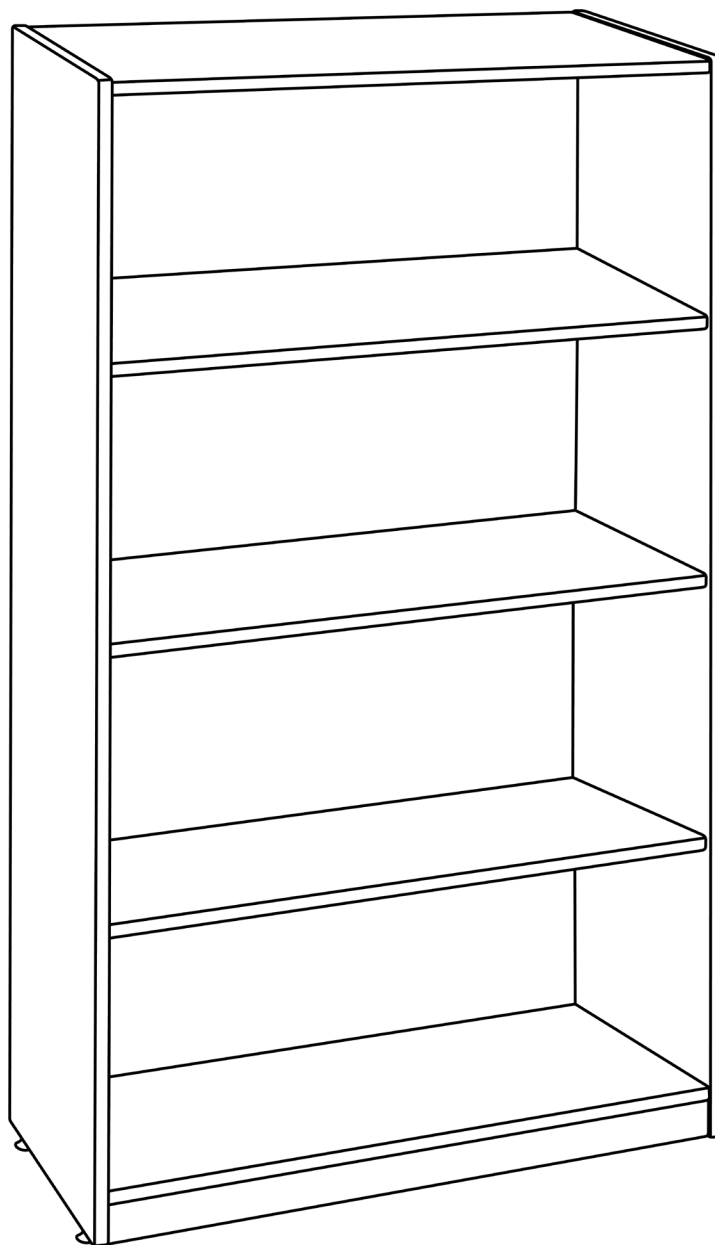
RGS
FURNITURE

LBC4732XX

Regency Legacy 47in. High Bookcase

CT-BC4732XX

RGS Cornerstone 47in. High Bookcase



REGENCY RGS Missing Parts? Assembly Questions?
FURNITURE

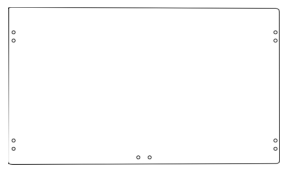

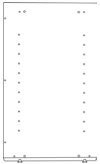
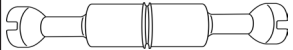


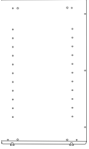
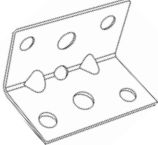

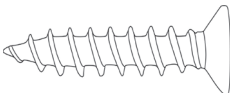

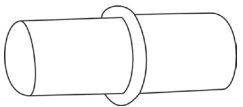

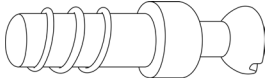
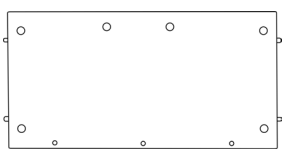
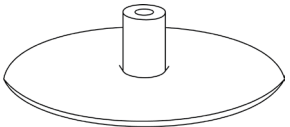
Call us at 1-866-816-9822 or email help@regencyof.com for immediate assistance.

ASSEMBLY INSTRUCTIONS:

LBC4732XX

CT-BC4732XX

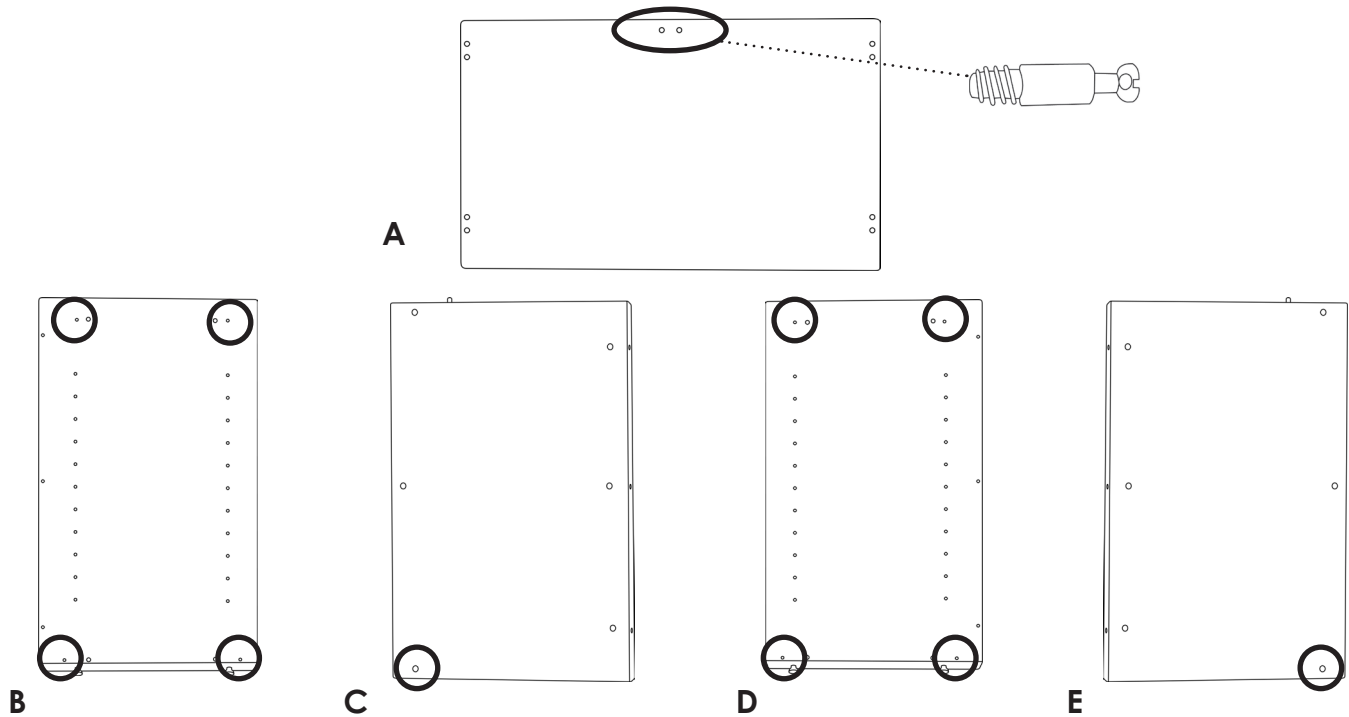
Regency Legacy 47 in. High Bookcase RGS Cornerstone 47 in. High Bookcase

#	Part	Qty	Image	#	Part	Qty	Image
A	Top	1		I	Bottom Support	1	
B	Left Side	1		J	Double Cam Pin	1	
C	Left Back	1		K	Cam Pins	14	
D	Right Side	1		L	L-Bracket	1	
E	Right Back	1		M	Wood Screws	6	
F	Adjustable Shelf	2		N	Shelf Pins	8	
G	Locking Center Shelf	1		O	Locking Shelf Pins	6	
H	Bottom Shelf	1		P	Cam Covers	10	

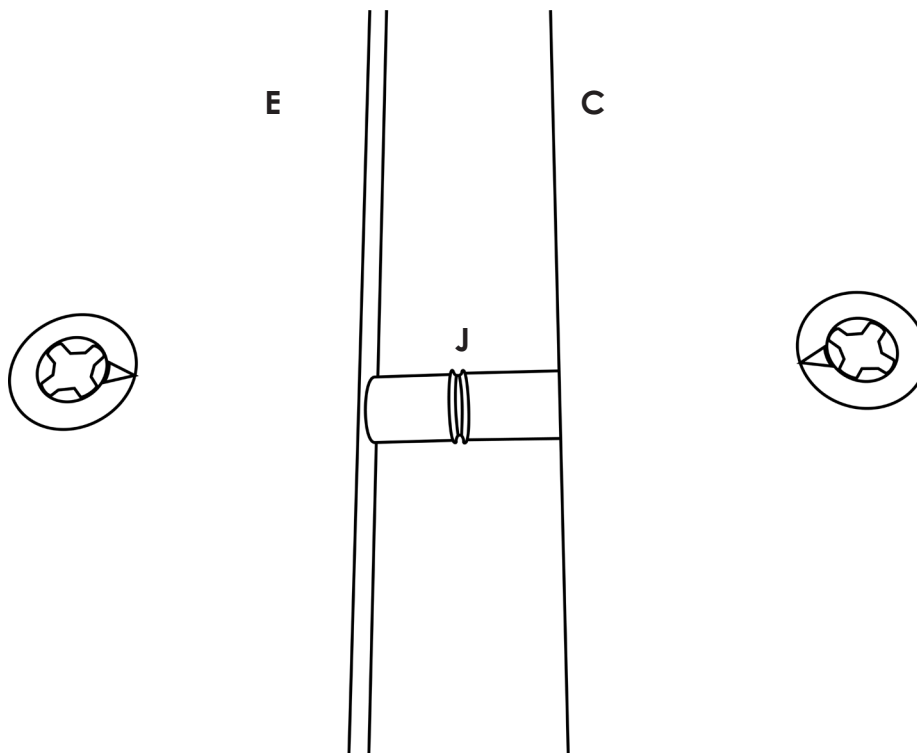
REGENCY RGS Missing Parts? Assembly Questions?
FURNITURE

Call us at 1-866-816-9822 or email help@regencyof.com for immediate assistance.

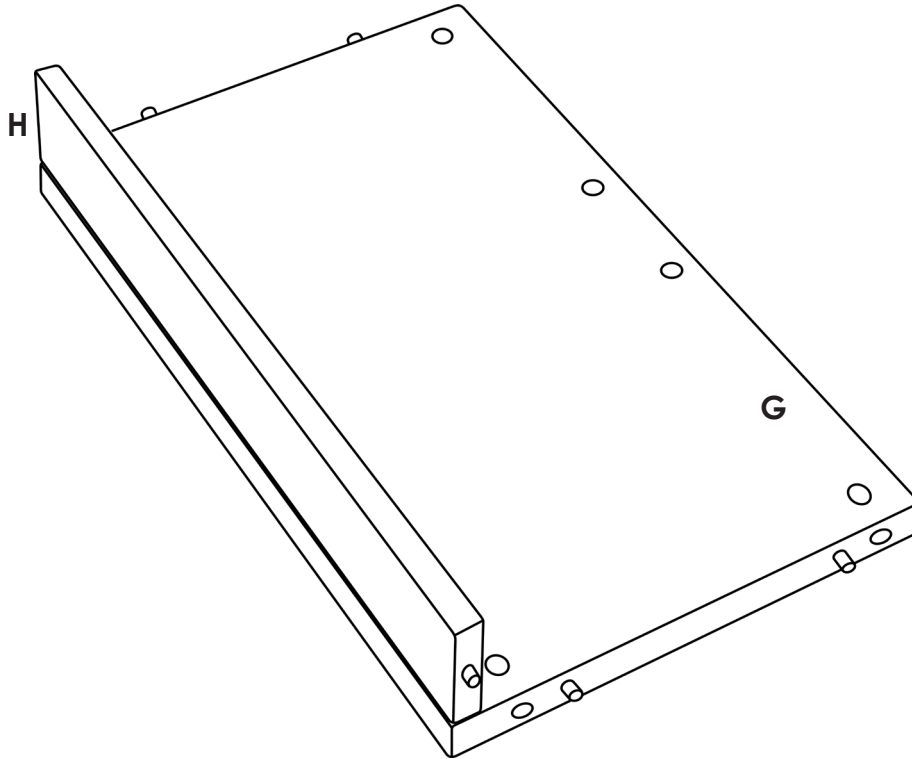
Step 1: Thread Cam Pins (K) into small holes in Bookcase Sides (B & D), Back Pieces (C & E), and Top (A).



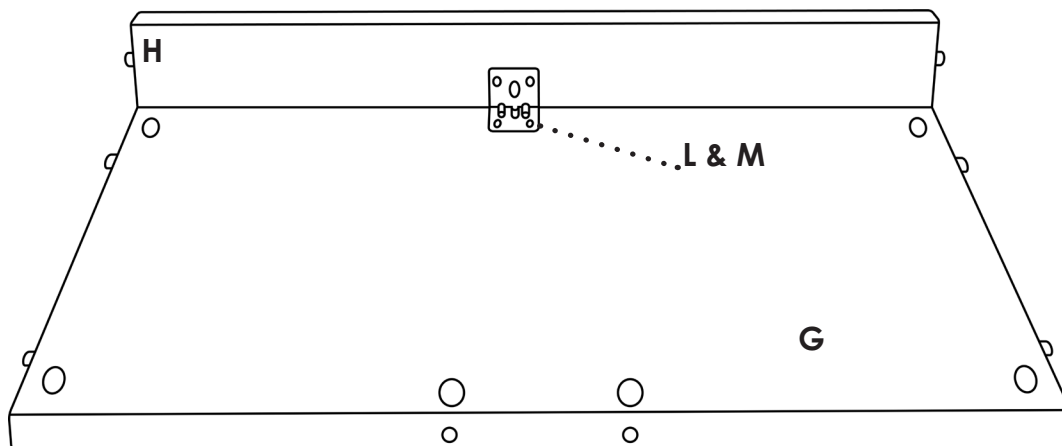
Step 2: Attach Back Pieces (C & E) together with the Double Cam Pin (J). Secure pieces together by turning Cam Locks clockwise.



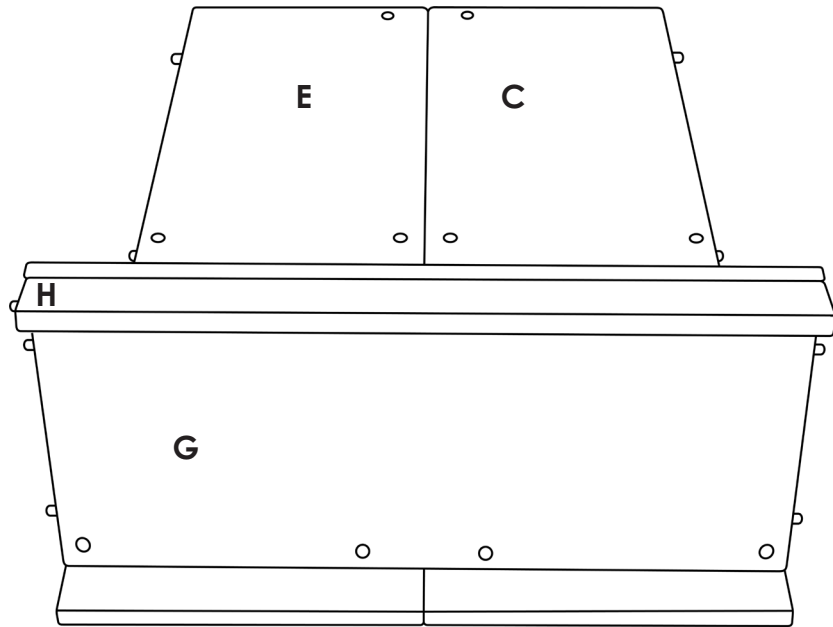
Step 3: Attach Bottom Support (H) to Bottom Shelf (G) by inserting the dowel rods on the support into the holes on the underside of the Bottom Shelf.



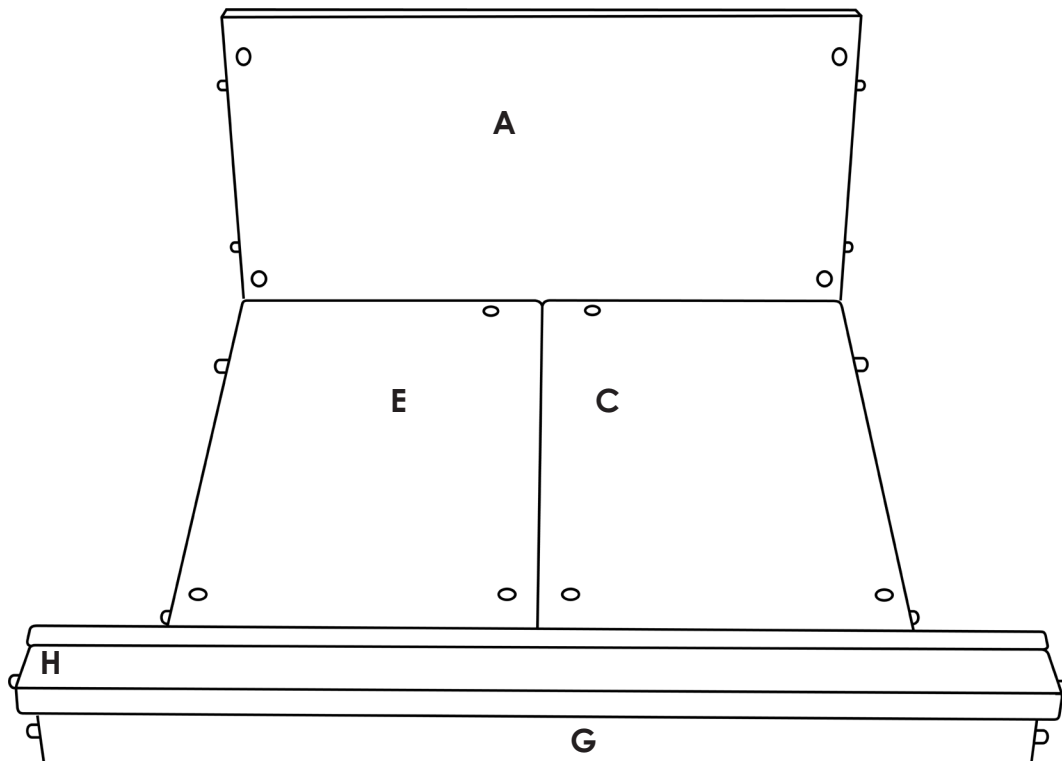
Step 4: Attach L-Bracket (L) with Screws (M).



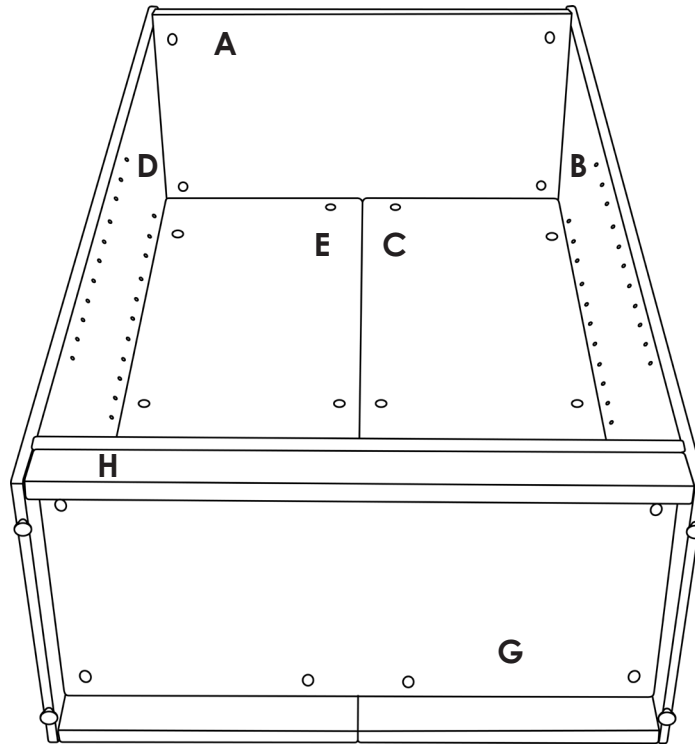
Step 5: Attach Back Pieces (C & E) to Bottom Shelves (H & I); turn cam locks clockwise to secure.



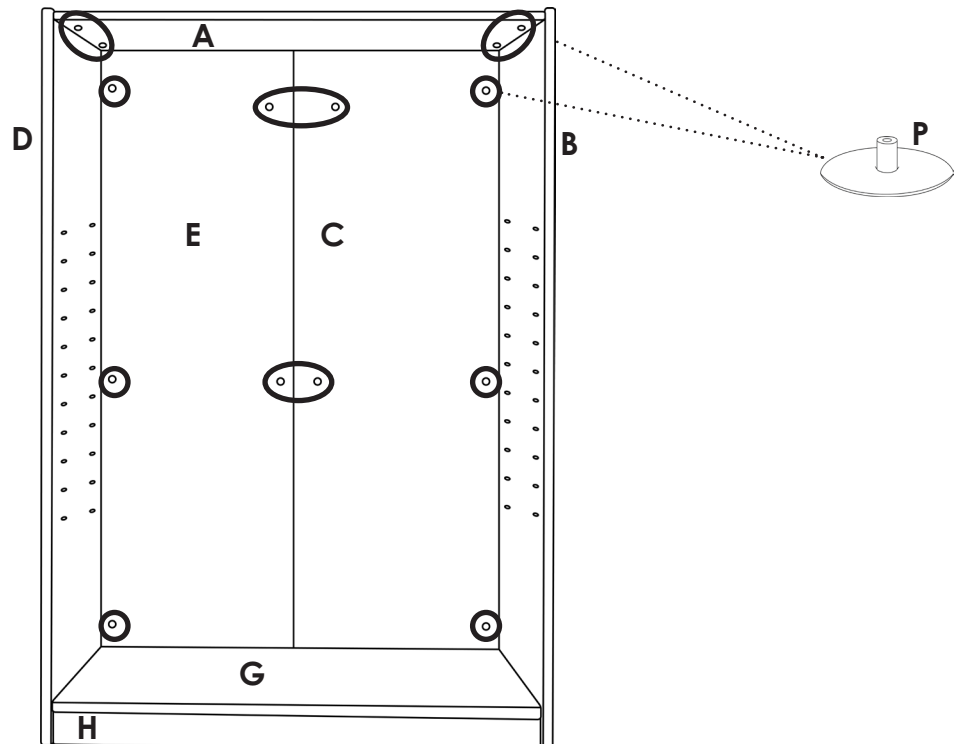
Step 6: Attach Top (A) to Back Pieces (C & E).



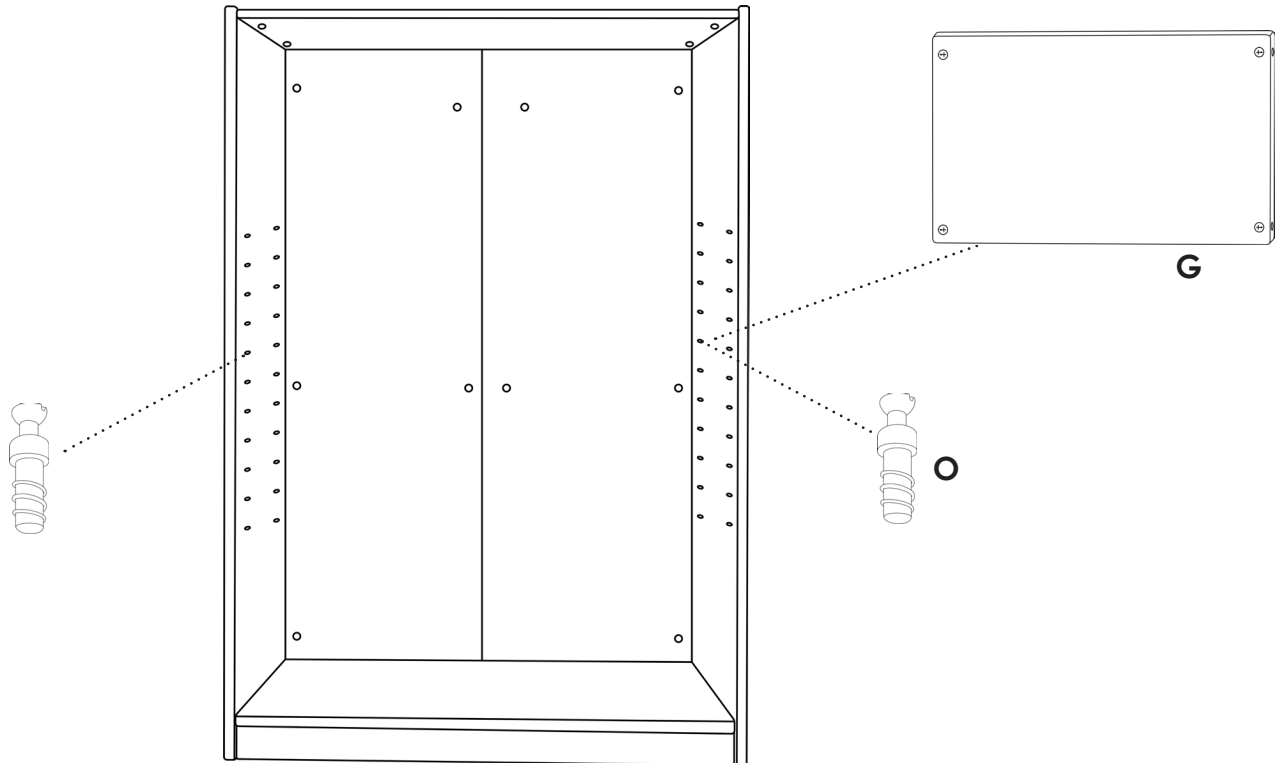
Step 7: Attach Sides (B & D) to Top, Bottom, and Back Pieces; turn cam locks clockwise to secure.



Step 8: Place Caps (P) over visible Cam Locks.



Step 9: Thread Locking Support Pins (O) into place. Place Center Shelf (G) onto supports; turn lock with screwdriver to secure.



Step 10: Using Shelf Support Pins (N), position adjustable shelves (H) as desired.

