

NOTICE

- * Please make sure that you have all parts indicated and they are in good condition before you begin assembly of this item. Refer to part list and hardware list below for guidance.
- * This item should be assembled on a soft surface to prevent scratching the finish during assembly.
- * This item may require periodic tightening.
- * If you are having difficulty, our friendly Customer Care team is always here to help. Please email customersupport@safavieh.com


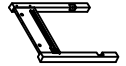


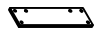

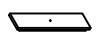




PREPARATION

- * Before beginning assembly of product, make sure all parts are present. Compare parts with part contents list and hardware contents list.
- * If any part is missing or damaged, do not attempt to assemble the product.
- * Estimated Assembly Time: 60 minutes.
- * Tools Required for Assembly : L Key (included), Phillips screwdriver (not included)

CARE AND MAINTENANCE

Adhesive felt pads should always be applied to areas of furniture which make direct contact with flooring, said application will prevent damage to the furniture and or surfaces on which the furniture lies. Objects placed on articles of furniture should rest on non abrasive material as to prevent damage to the wood finish. Wipe up spills immediately and avoid common hazards such as hot dishes, harsh solvents and abrasives. Cleaning should be done with a soft lint free cotton cloth dampened with water or furniture polish.

Part List and Hardware List

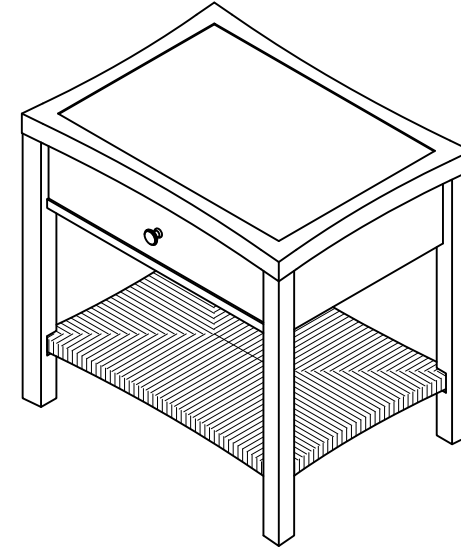
PIECE	DESCRIPTION	PICTURE	QUANTITY
A	TOP ASSEMBLY		1X
B	LEFT ASSEMBLY		1X
C	RIGHT ASSEMBLY		1X
D	FRONT RAIL		1X
E	BACK PANEL		1X
F	SHELF ASSEMBLY		1X
G	DRAWER FRONT		1X
H	DRAWER LEFT		1X
I	DRAWER RIGHT		1X
J	DRAWER BACK		1X
K	DRAWER BASE		1X

SAFAVIEH

COOUTURE

Model# SFV1312


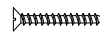
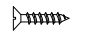
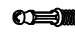







Product Dimensions: 24"W x 18"D x 23"H



WARNING

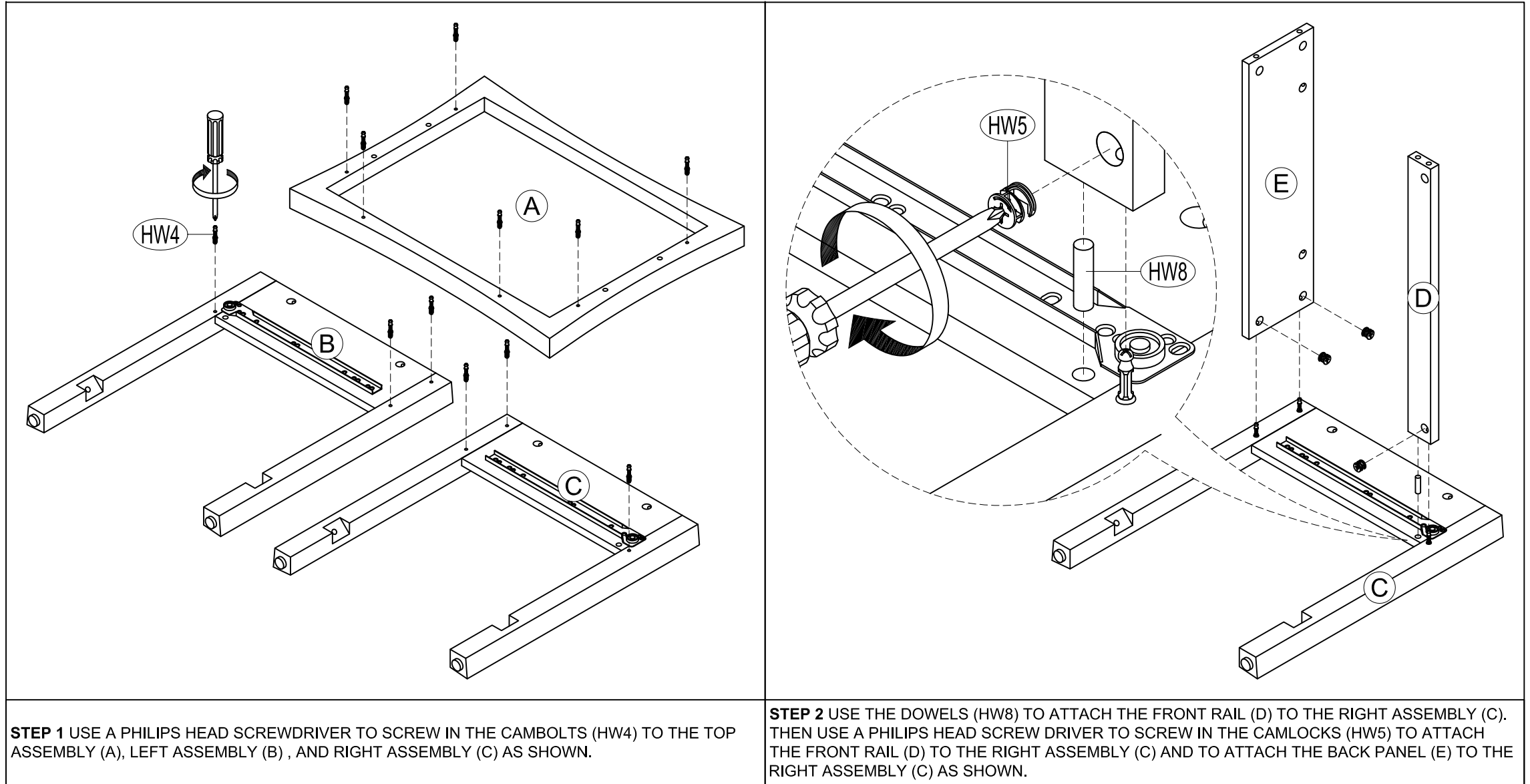


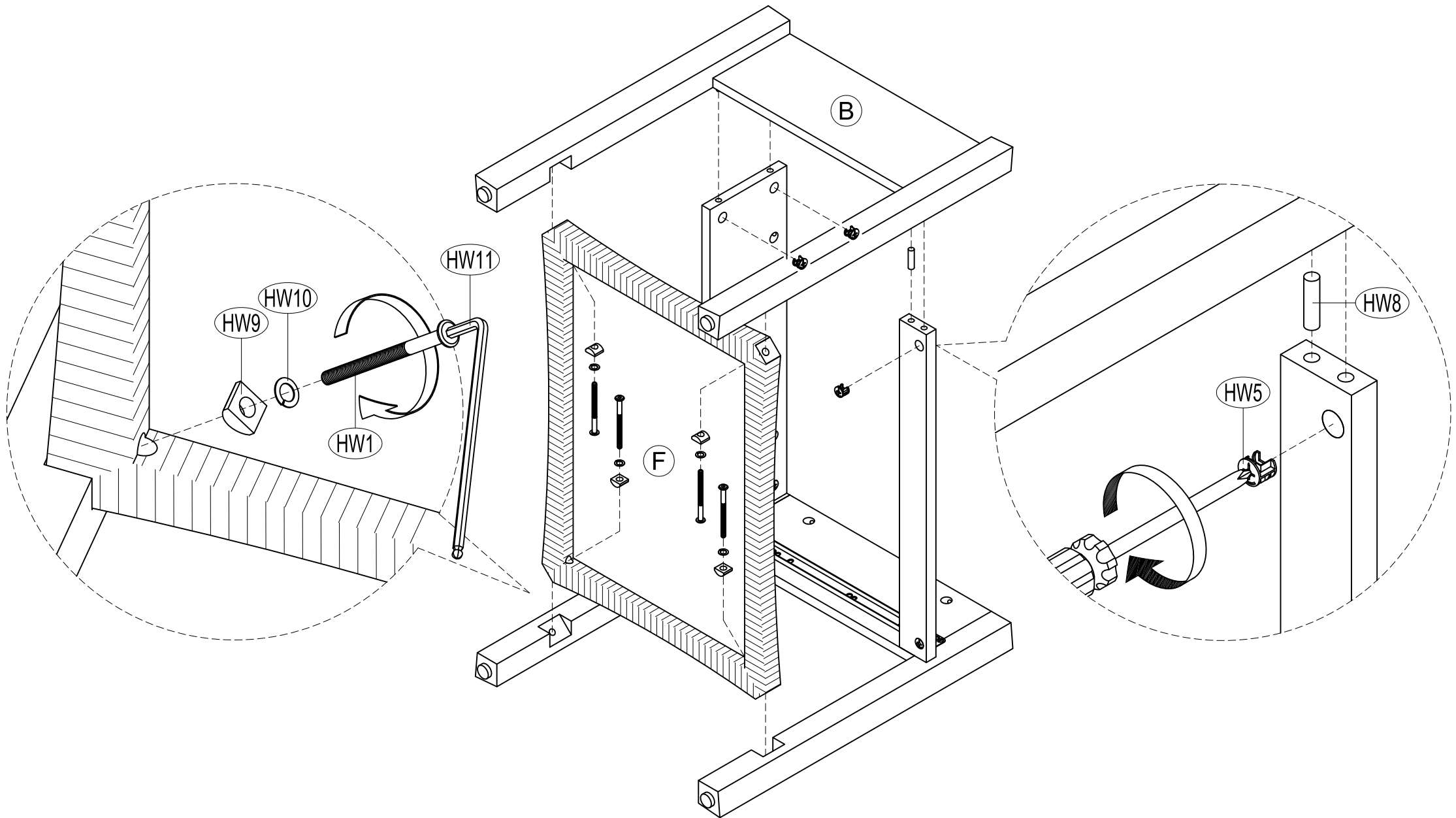
WEIGHT CAPACITY: 50 LBS (TOP); 20 LBS (SHELF); 15 LBS (DRAWER)
WARNING: DO NOT STAND ON THE TABLE
WARNING: DO NOT OVER TORQUE BOLTS/SCREWS

PIECE	DESCRIPTION	PICTURE	QUANTITY
HW1	BOLT 6 x 1 x 80 MM		4X
HW2	FLAT HEAD SCREW 3 x 1 x 32 MM		8X
HW3	FLAT HEAD SCREW 3 x 1 x 19 MM		3X
HW4	CAMBOLT		12X
HW5	CAMLOCK		12X
HW6	MACHINE SCREW 4 x 0.7 x 25 MM		1X
HW7	HANDLE		1X
HW8	DOWEL		6X
HW9	SPACER		4X
HW10	SPRING WASHER Ø13 x 1 MM		4X
HW11	L KEY		1X

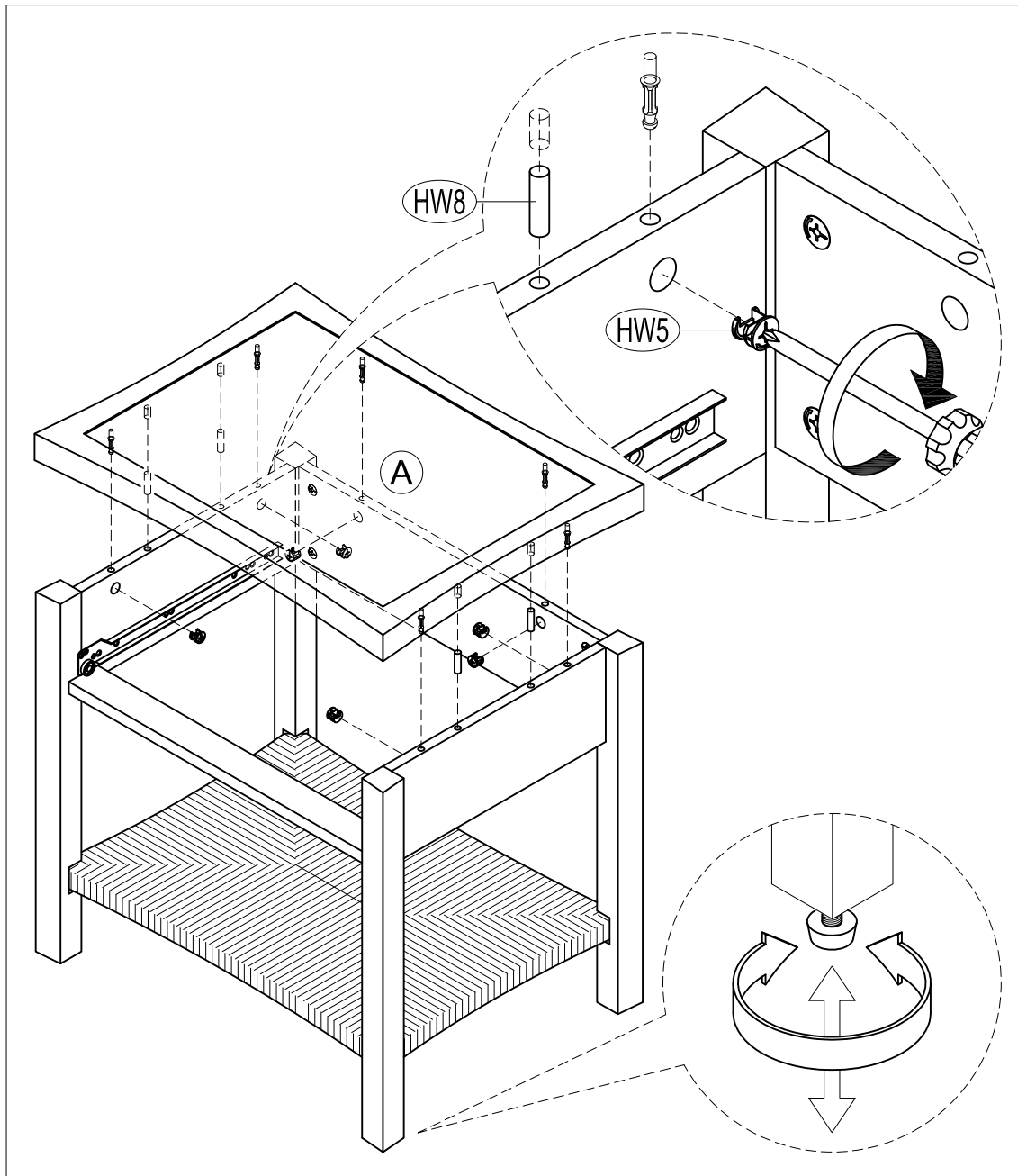
PREPARATION

- * Before beginning assembly of product, make sure all parts are present. Compare parts with part contents list and hardware contents list.
- * If any part is missing or damaged, do not attempt to assemble the product.
- * Estimated Assembly Time: 60 minutes.
- * Tools Required for Assembly : L Key (included), Phillips screwdriver (not included)
- * If you are having difficulty, our friendly Customer Care team is always here to help. Please email customersupport@safavieh.com

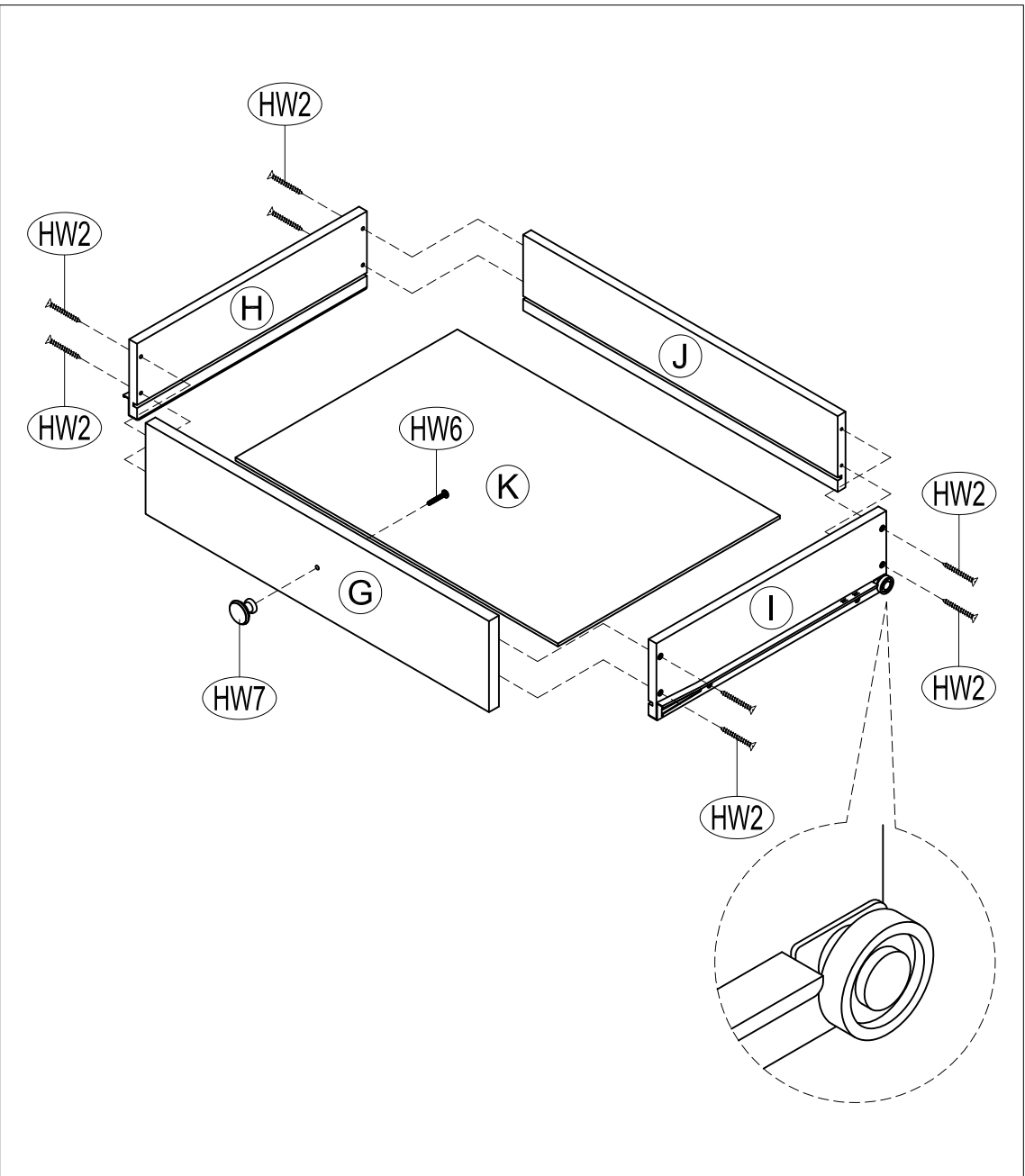




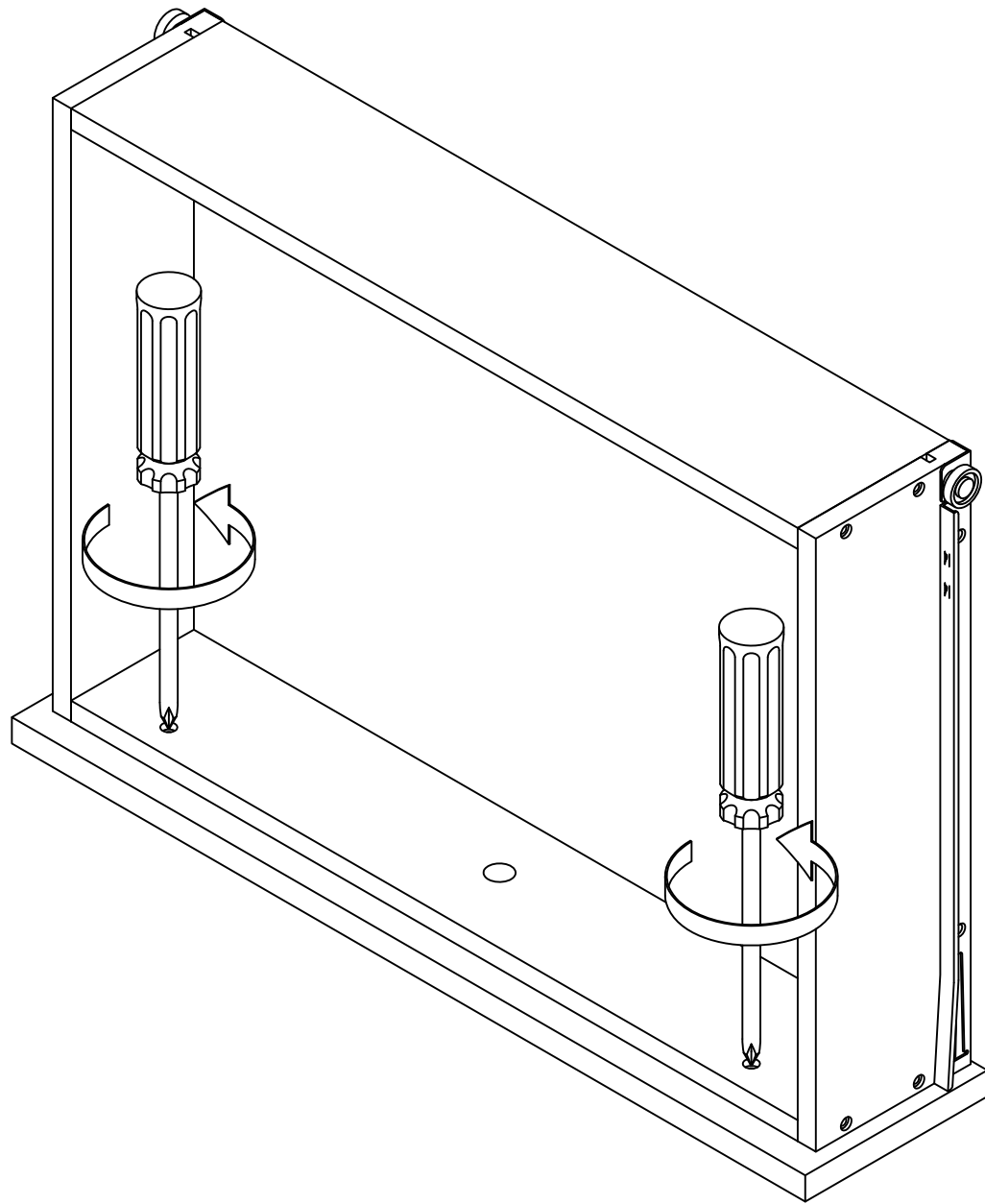
STEP 3 ATTACH THE LEFT ASSEMBLY (B) TO THE FRONT RAIL (D) WITH THE DOWELS (HW8). THEN USE A PHILIPS HEAD SCREW DRIVER TO SCREW IN THE CAMLOCKS (HW5) TO ATTACH THE LEFT ASSEMBLY (B) TO THE FRONT RAIL (D) AND TO THE BACK PANEL (E) AS SHOWN. ATTACH THE SHELF ASSEMBLY (F) TO THE LEGS BY USING THE L KEY (HW11) TO SCREW THE BOLTS (HW1) IN THROUGH THE SPRING WASHERS (HW10) AND SPACERS (HW9) AS SHOWN.



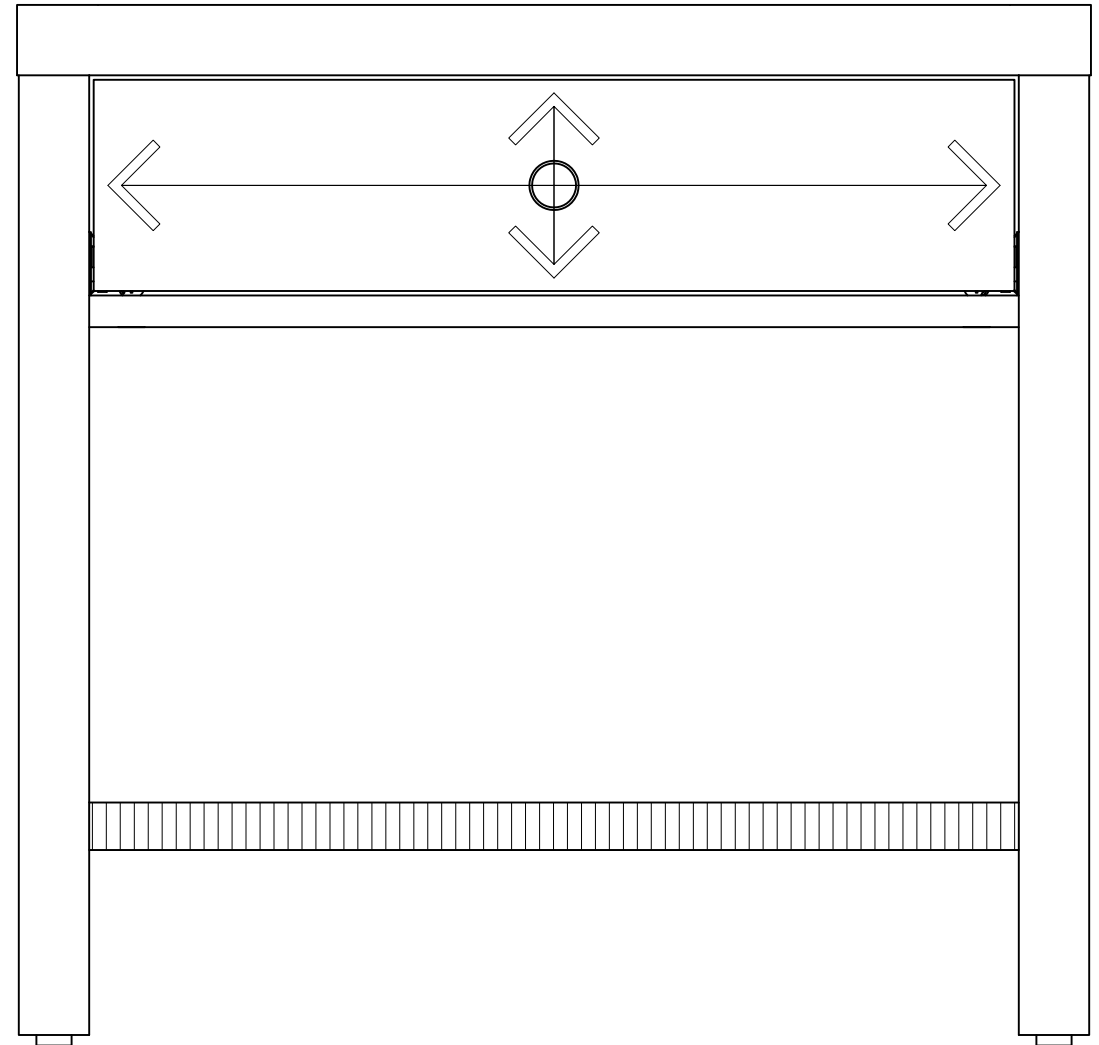
STEP 4 USE THE DOWELS (HW8) TO ATTACH THE TOP ASSEMBLY (A) TO THE ASSEMBLED UNIT. THEN USE A PHILIPS HEAD SCREWDRIVER TO SCREW IN THE CAMLOCKS (HW5) AS SHOWN. ADJUST THE LEVELERS ON THE BOTTOM OF THE LEGS TO MAKE THE TABLE STRAIGHT.



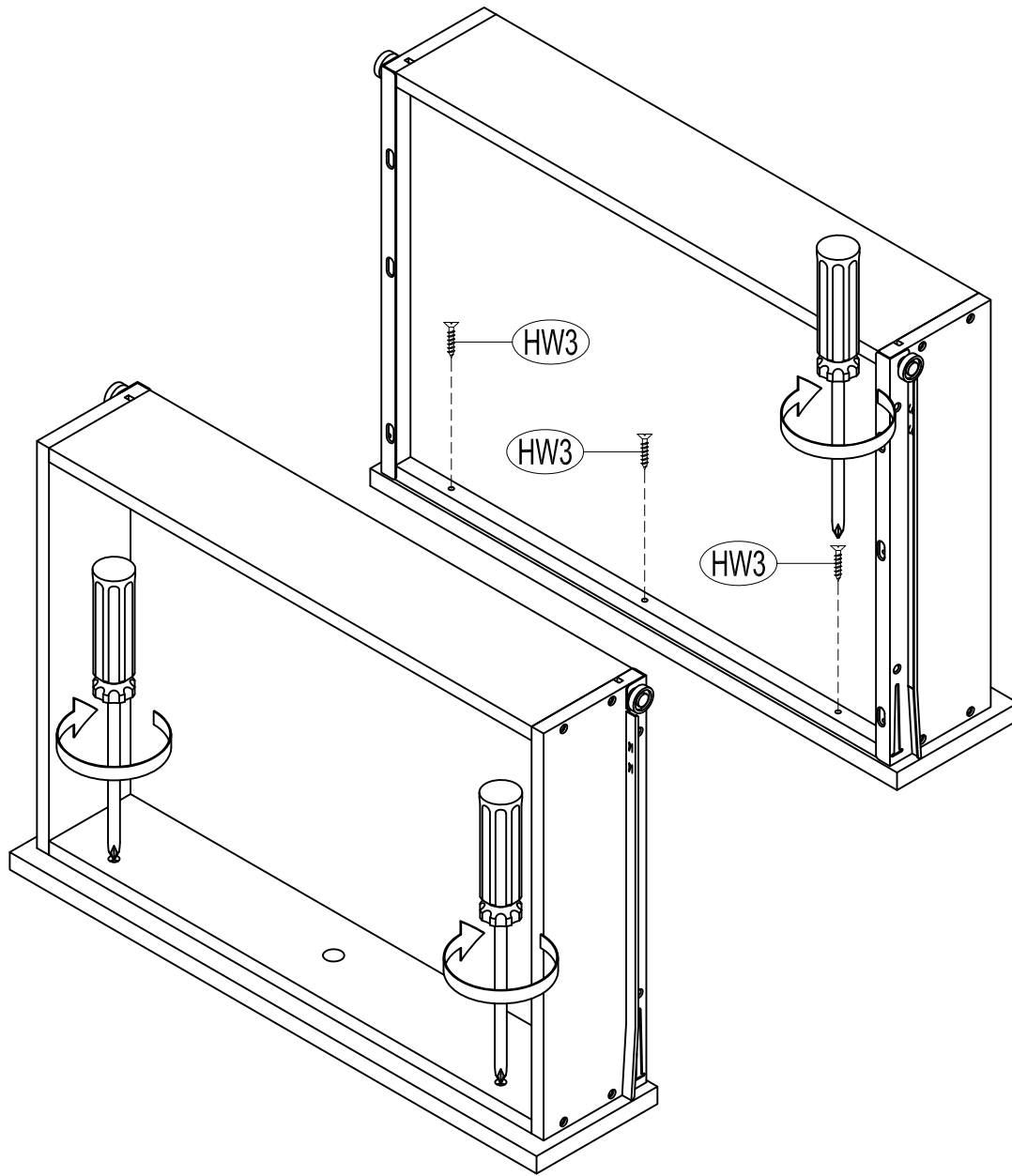
STEP 5 ATTACH THE HANDLE (HW7) TO THE DRAWER FRONT (G) BY SCREWING IN THE MACHINE SCREW (HW6). ATTACH THE DRAWER BACK (J) TO THE DRAWER LEFT (H) AND DRAWER RIGHT (I) BY USING A FLAT HEAD SCREWDRIVER TO SCREW IN THE FLAT HEAD SCREWS (HW2). SLIDE THE DRAWER BASE (K) INTO THE GROOVE. ATTACH THE DRAWER FRONT (G) TO THE DRAWER LEFT (H) AND DRAWER RIGHT (I) BY USING A FLAT HEAD SCREWDRIVER TO SCREW IN THE FLAT HEAD SCREWS (HW2).



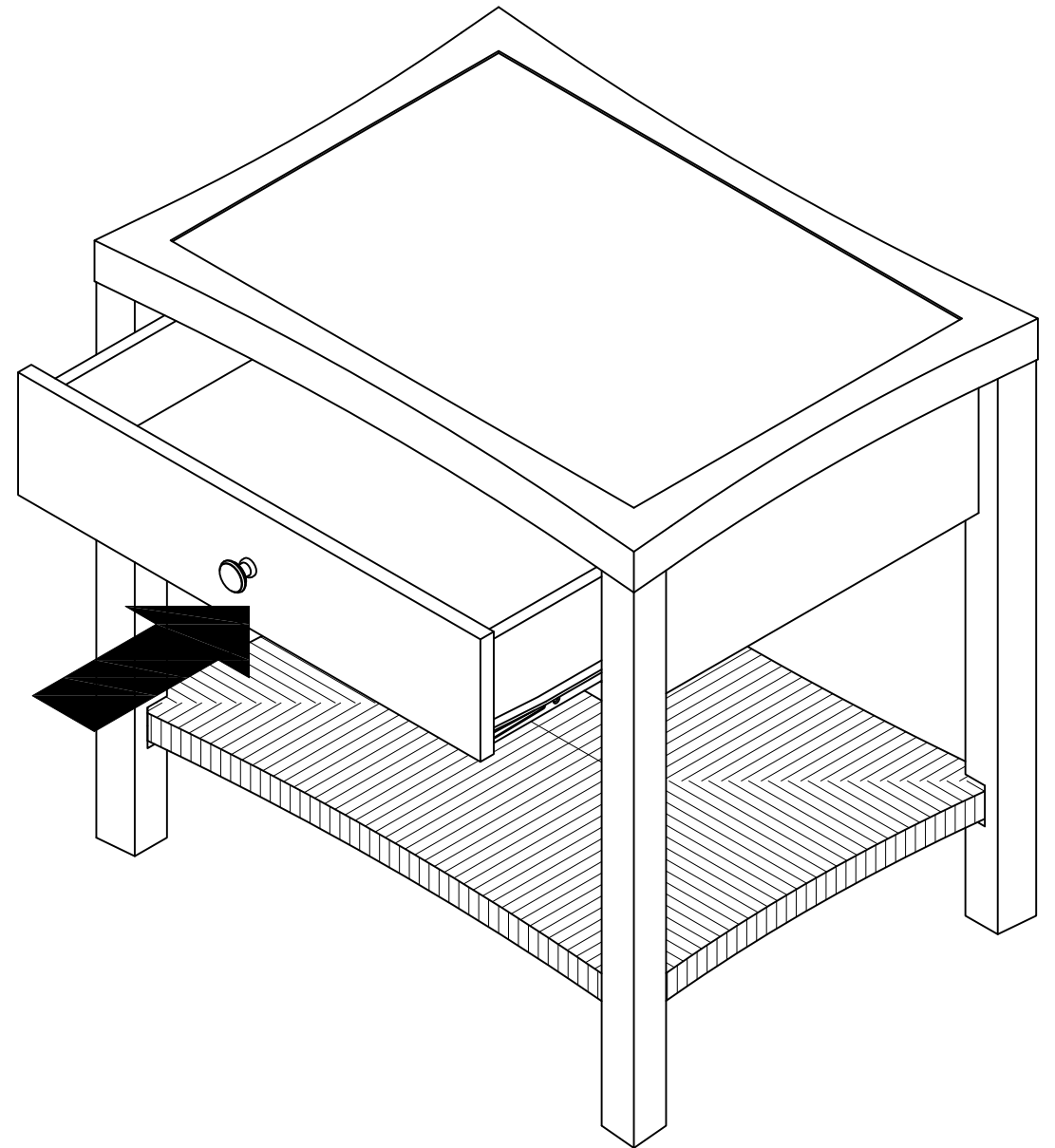
STEP 6 SLIGHTLY LOOSEN THE 2 SCREWS THAT WERE PRE-INSTALLED ON THE BACK OF THE DRAWER FRONT.



STEP 7 INSERT THE ASSEMBLED DRAWER INTO THE ASSEMBLED TABLE. ADJUST THE FRONT OF THE DRAWER LEFT AND RIGHT AND UP AND DOWN UNTIL THE DRAWER GAPS ARE PROPORTIONAL.



STEP 8 PULL THE DRAWER OPEN SLOWLY AND TIGHTEN THE 2 SCREWS ON THE BACK OF THE DRAWER FRONT. MAKE SURE THE FRONT DRAWER PANEL DOES NOT MOVE WHILE YOU USE THE SCREWDRIVER TO SCREW IN THE FLAT HEAD SCREWS (HW3) BELOW THE DRAWER, ON THE BACK OF THE FRONT DRAWER PANEL AS SHOWN.



STEP 9 SLIDE THE DRAWER INTO THE TABLE. THE PRODUCT IS NOW READY FOR USE.