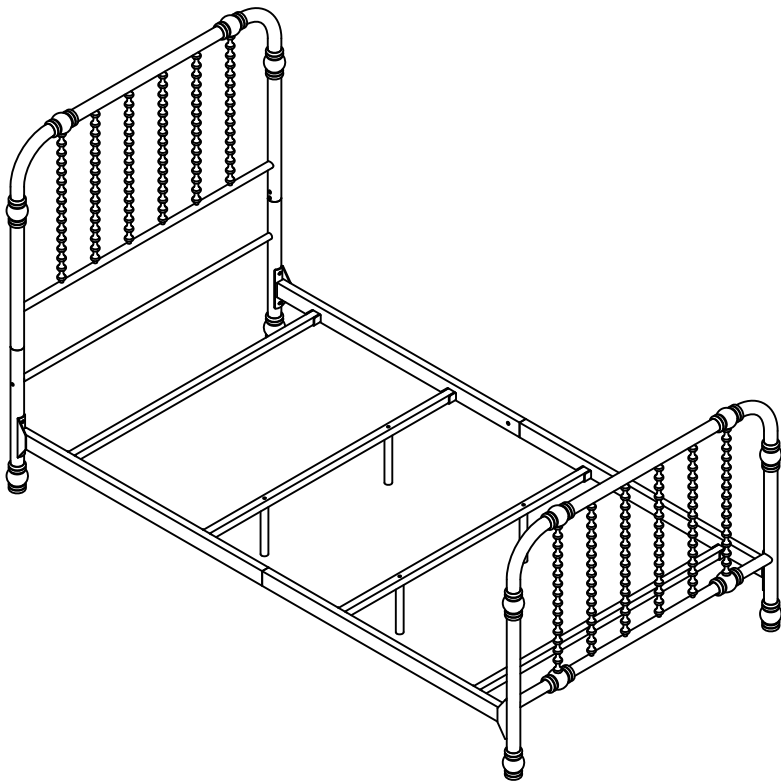


ASSEMBLY INSTRUCTIONS

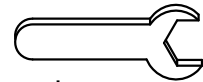


TOOLS REQUIRED



Allen Wrench

(Included)



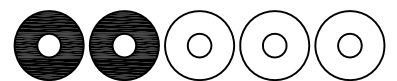
Wrench

(Included)



2 - Persons
Recommended

ASSEMBLY RATING



EASY —————> DIFFICULT

The Assembly Rating is a 5-point system showing the level of effort needed to assemble a specific product.

PRE ASSEMBLY INTRODUCTION

We understand building ready-to-assemble furniture can be a challenging experience for some. To help avoid confusion, we have provided some helpful tips that may speed up the process.



Teamwork

ALWAYS have at least two people to help with transporting and assembling the product to avoid potential injury and/or damage.



Suitable Location

Assembling near the area of the intended location is highly recommended.



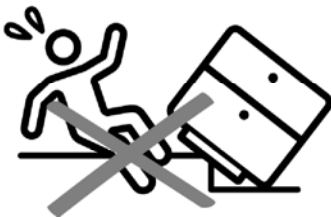
Sufficient Space

Make sure you have enough space to move around during the assembly.



Avoid Scratches

Use cardboard, blankets or a carpeted area while assembling furniture to prevent scratches.



Flat Surface

Make sure the furniture rests on a flat and level surface with each leg evenly touching the floor.

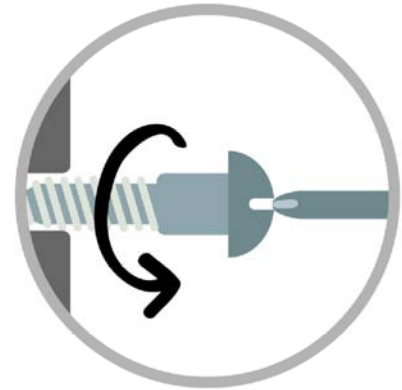
ASSEMBLY AND CARE ADVICE



FAILURE TO FOLLOW THE GUIDELINES BELOW MAY RESULT IN INJURY AND/OR PROPERTY DAMAGE.



Position each part correctly and insert screws or bolts into their respective holes.



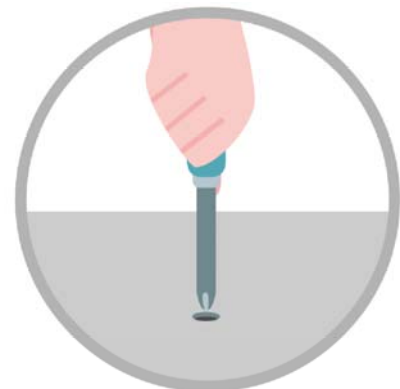
Turn clockwise to tighten and only tighten when step is completed or when instructed to do so.



Use the appropriate hand tools or power tools for assembly. Select steps, such as tightening screws and/or bolts, may require hand tools to avoid causing damage during assembly.



Save the instructions and store any supplied tools for later maintenance.



After two weeks, check and tighten any loose hardware and repeat again every six months thereafter.

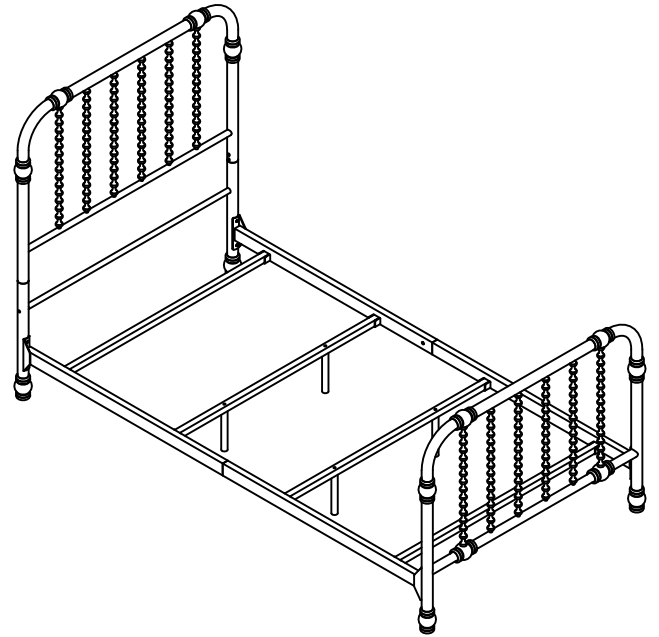
IT IS THE USER'S RESPONSIBILITY TO MAINTAIN THE FURNITURE. THE HARDWARE MAY LOOSEN OVER TIME AND MAY CAUSE THE FURNITURE TO BE WOBBLY AND UNABLE TO SUPPORT ITS INTENDED WEIGHT CAPACITY. THIS MAY LEAD TO COLLAPSE AND MAY CAUSE SERIOUS INJURY.

BED

EC-HBC1397

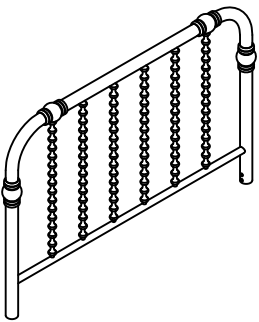


- Please keep instructions for future reference.
- Check the quantity and irregularity of parts and hardware before you start.



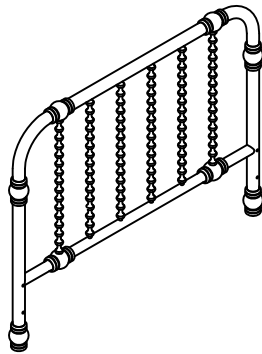
PARTS

1



Headboard
1 pc

2



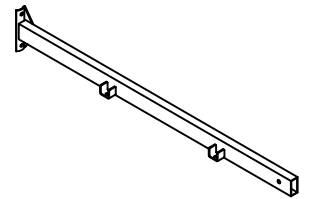
Footboard
1 pc

3



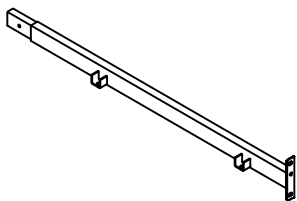
Headboard Leg
2 pcs

4



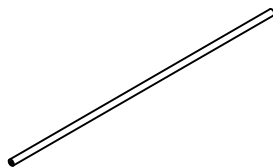
Side Rail 1
2 pcs

5



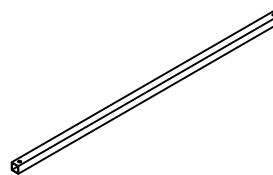
Side Rail 2
2 pcs

6



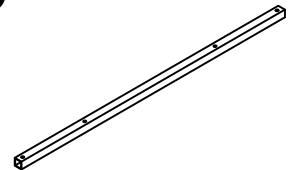
Cross Bar
1 pc

7



Slat 1
2 pcs

8



Slat 2
2 pcs

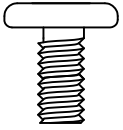
9



Support Leg
4 pcs

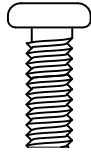
HARDWARE

A



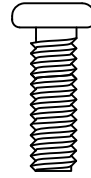
Bolt 1/4" x 1/2"
4 pcs

B



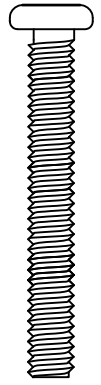
Bolt 1/4" x 5/8"
14 pcs

C



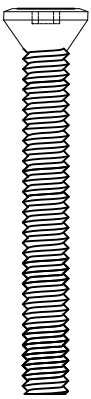
Bolt 1/4" x 3/4"
4 pcs

D



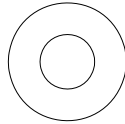
Bolt 1/4" x 1-3/4"
4 pcs

E



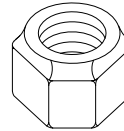
Bolt 1/4" x 2"
6 pcs

F



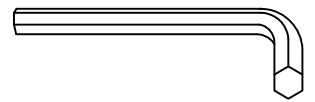
Flat Washer 1/4"
26 pcs

G



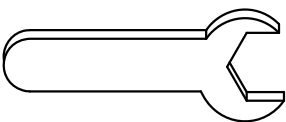
Hex Nut 1/4"
4 pcs

H



Allen Wrench M4
1 pc

I



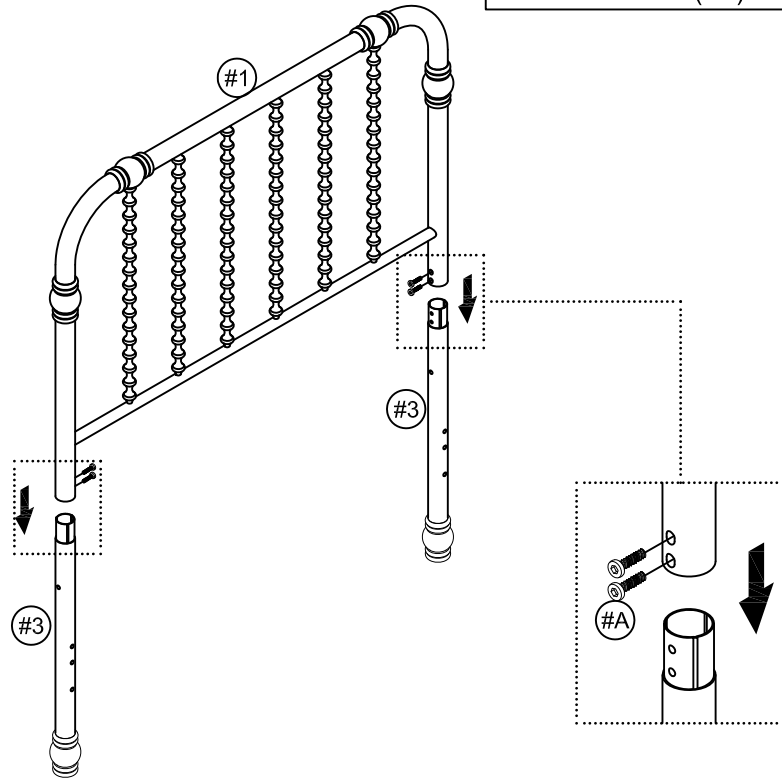
Wrench
1 pc

ASSEMBLY INSTRUCTIONS

1

- Part (#1) x 1pc
- Part (#3) x 2pcs
- Hardware (#A) x 4pcs
- Hardware (#H) x 1pc

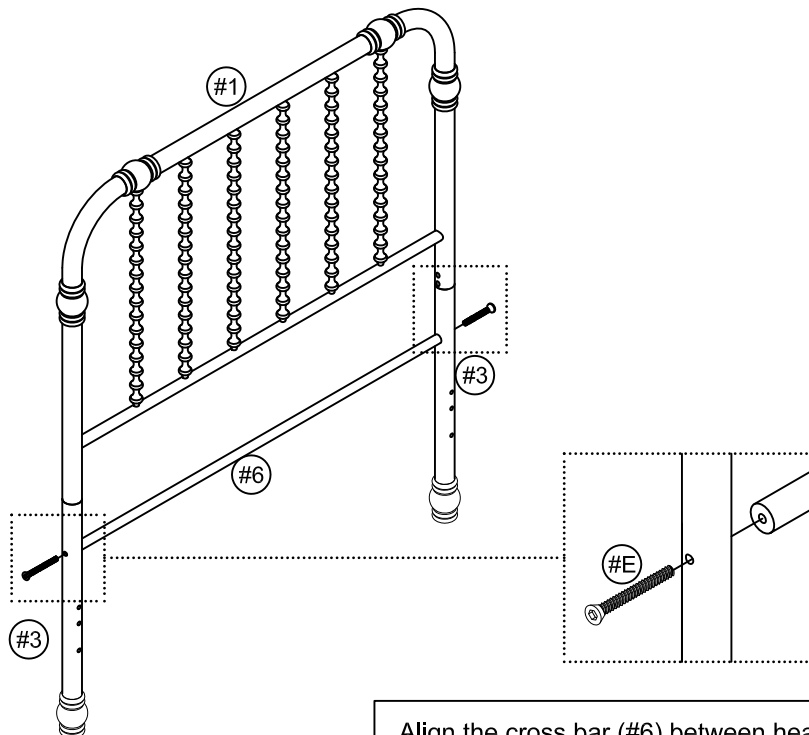
Note:
Keep bolts loose during initial assembly. Tighten bolts only after all parts are assembled for best alignment



Insert each end of the headboard (#1) into the headboard legs (#3), then insert a bolt (#A) into each hole. Secure using the Allen wrench (#H).

2

- Part (#6) x 1pc
- Hardware (#E) x 2pcs
- Hardware (#H) x 1pc



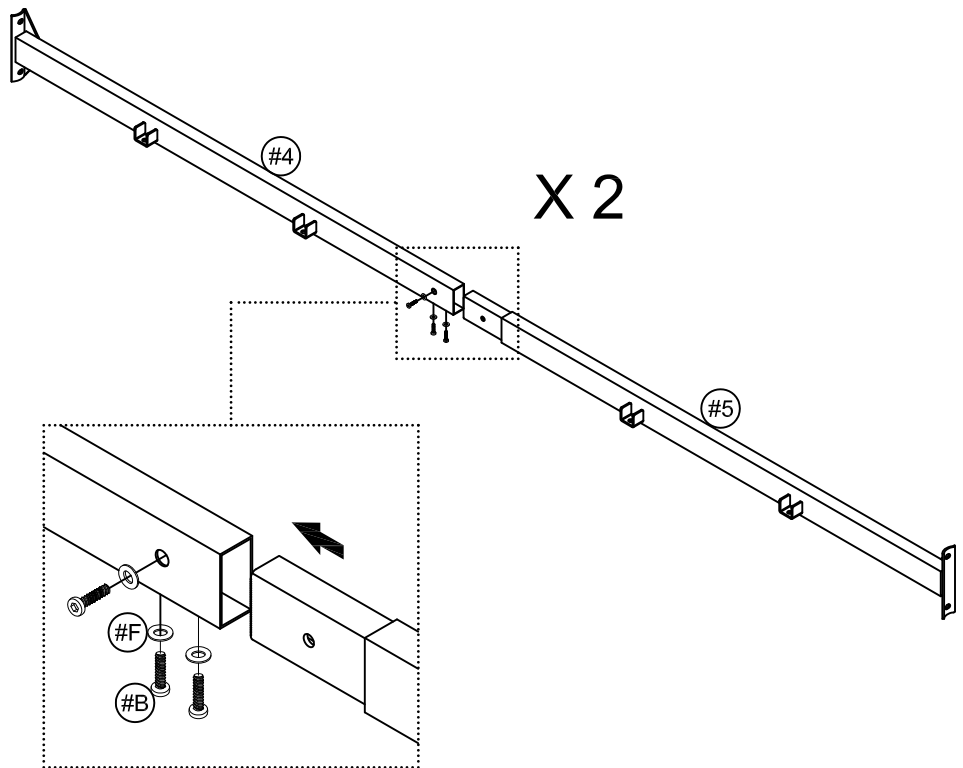
Align the cross bar (#6) between headboard legs (#3). Secure with bolt (#E) using the Allen wrench (#H).

ASSEMBLY INSTRUCTIONS

3

- Part (#4) x 2pcs
- Part (#5) x 2pcs
- Hardware (#B) x 6pcs
- Hardware (#F) x 6pcs
- Hardware (#H) x 1pc

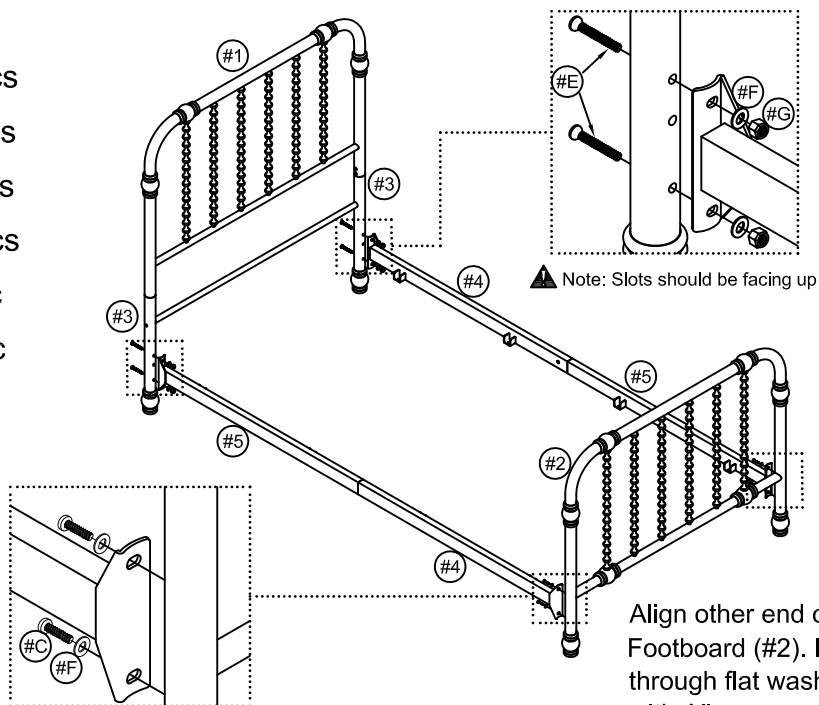
Join Side Rail 1 (#4) and Side Rail 2 (#5) together, then insert bolts (#B) through flat washers (#F) and secure with Allen wrench (#H).



4

- Part (#2) x1pc
- Hardware (#C) x4pcs
- Hardware (#E) x4pcs
- Hardware (#F) x8pcs
- Hardware (#G) x4pcs
- Hardware (#H) x1pc
- Hardware (#I) x1pc

Align joined Side Rail (#4, 5) to headboard leg (#3). Insert bolts (#E) from the outside, apply flat washers (#F) and hex nuts (#G) on the inner end, and secure using Wrench (#I).

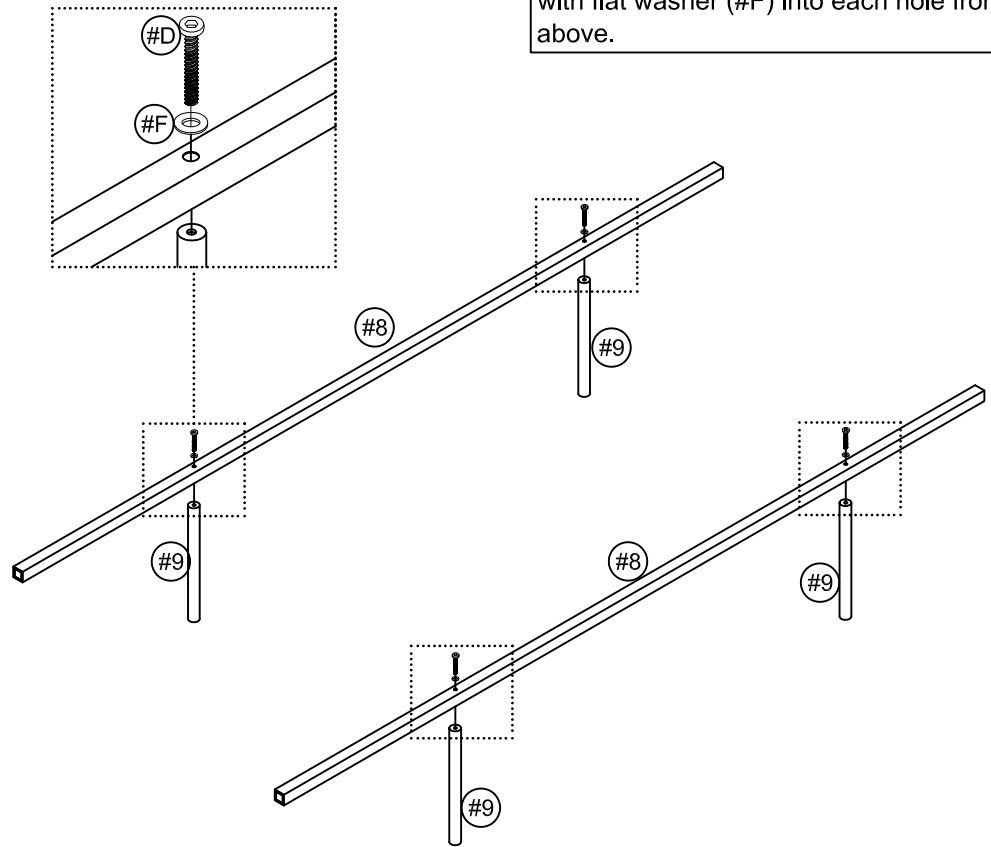


Align other end of Side Rail to the Footboard (#2). Insert bolts (#C) through flat washers (#F) and secure with Allen wrench (#H).

ASSEMBLY INSTRUCTIONS

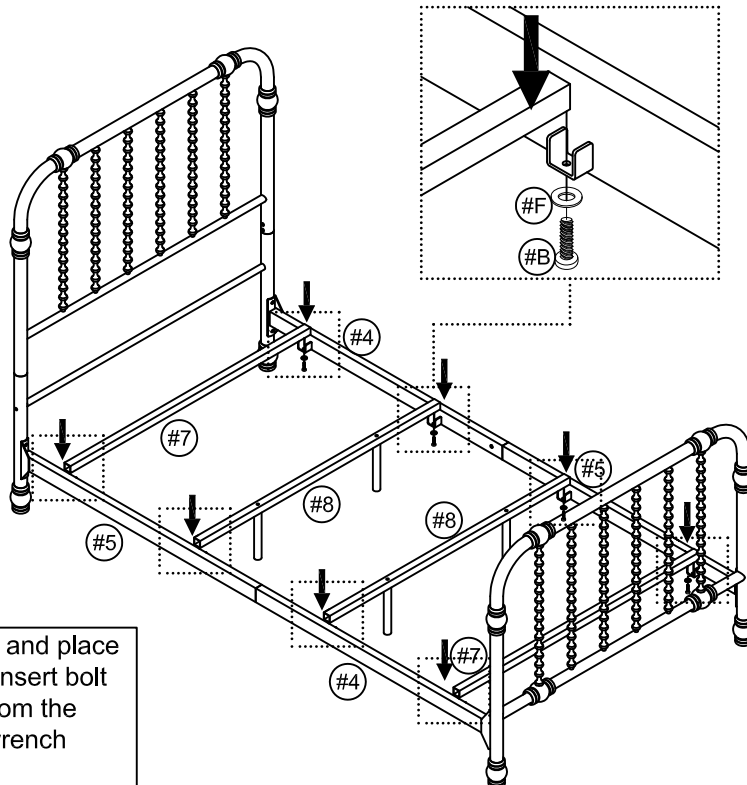
5

- Part (#8) x 2pcs
- Part (#9) x 4pcs
- Hardware (#D) x 4pcs
- Hardware (#F) x 4pcs
- Hardware (#H) x 1pc



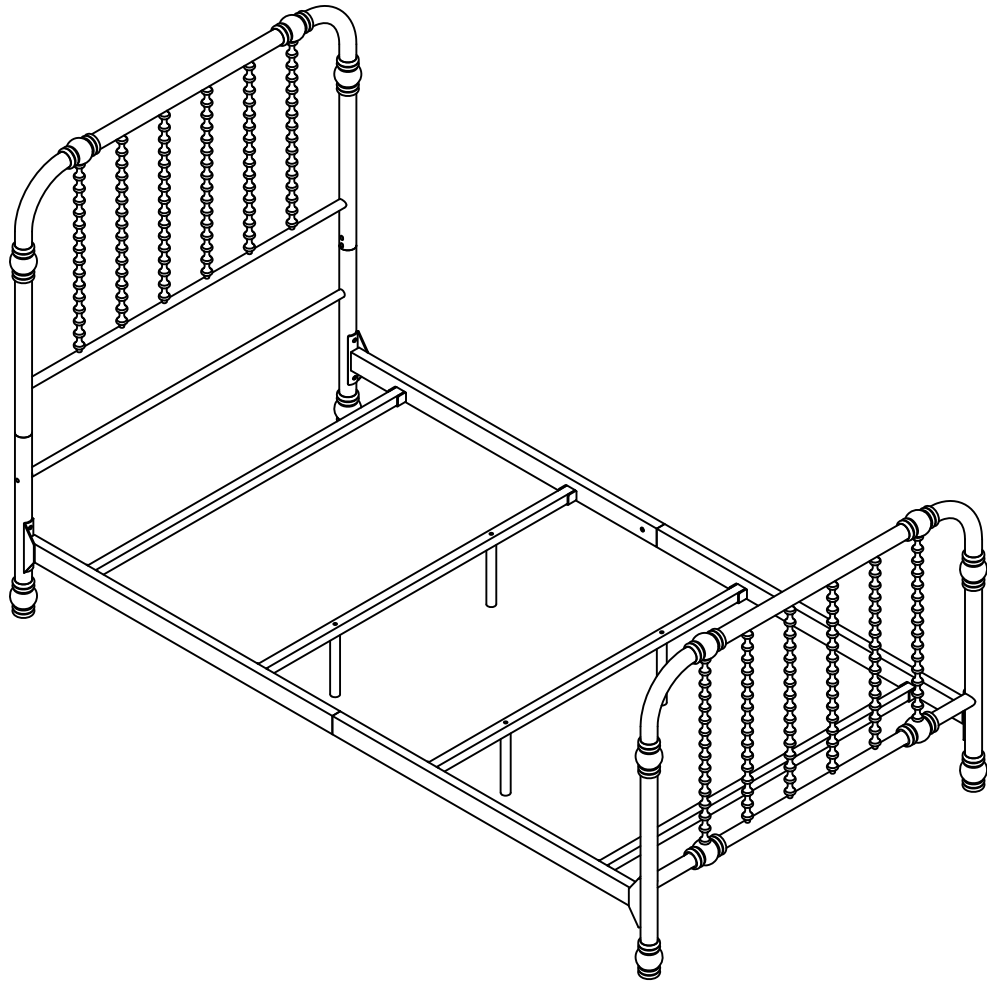
6

- Part (#7) x 2pcs
- Hardware (#B) x 8pcs
- Hardware (#F) x 8pcs
- Hardware (#H) x 1pc



ASSEMBLY INSTRUCTIONS

7



WARNINGS:

- Use only mattress which is 74"-75" long and 37 $\frac{1}{2}$ "-38 $\frac{1}{2}$ " wide.
- Do not allow horseplay or under the bed and prohibit jumping on the bed.
- Periodically check and ensure that all the components are in their proper position, free from damage, and that all connectors are tight.
- Do not substitute parts, contact the store for replacement parts.
- Maximum total weight is not to exceed 400 lbs.
- **Keep these instructions for future reference.**

ASSEMBLY COMPLETED



Please ensure the furniture rests on an even and flat surface. If the product wobbles or feels loose, double-check all bolts and/or screws are properly tightened and secured.



Keep this handy !

Please retain this instruction manual and any order-related information for future reference.



Lift don't drag !

To avoid damage to product please always LIFT the product when transporting or adjusting the placemet.

This product is intended for RESIDENTIAL USE ONLY and not for commercial use.