

Manufactured for:
Philips Personal Health
a division of Philips North America LLC
P.O. Box 10313, Stamford, CT 06904

This symbol on the product's nameplate means
it is listed by Underwriters' Laboratories, Inc.

Norelco is a registered trademark of
Philips North America LLC

PHILIPS and Philips shield are registered trademarks
of Koninklijke Philips N.V.

©2017 Philips North America LLC.
All rights reserved.

ENGLISH

IMPORTANT SAFETY INSTRUCTIONS

When using an electrical product, basic precautions should always be followed, including the following:

Read all instructions before using this product.

DANGER

To reduce the risk of electric shock:

- Do not reach for a corded product that has fallen into water. Unplug immediately.
- Use product only in a dry condition. Do not use while bathing or in a shower.
- Do not place or store the product where it can fall or be pulled into a tub or sink. Do not place or drop the product into water or other liquid.
- Always unplug this product from the electrical outlet immediately after (re)charging.
- Unplug and remove power supply cord from this product before cleaning.
- The batteries used in this product may present a fire or chemical burn hazard if mistreated. Do not disassemble, heat above 100°C (212°F) or incinerate.

WARNING

To reduce the risk of burns, fire, electric shock, or injury to persons:

- Close supervision is required when this product is used by, on, or near children, or persons with limited physical, sensory, or mental capabilities or invalids.

- Use this product for its intended household use as described in this manual. Do not use attachments not recommended by Philips North America LLC.
- Never operate this product if it has a damaged power cord, if it is not working properly, if it has been dropped or damaged, or dropped into water while plugged in. For assistance call 1-800-243-3050.
- Never immerse the product in water or rinse under the tap.
- Keep the product, power cord and any attachments away from heated surfaces.
- Never drop or insert any object into any opening.
- Do not use the adapter in or near a power outlet that contains an electric air freshener to prevent damage to the adapter.
- Do not operate, charge, clean or plug in product outdoors or operate where aerosol (spray) products are being used or where oxygen is being administered.
- This product is for use on human hair (beard, moustache and sideburns) only. Do not use the product for any other purpose.
- Always check cutters, cutting unit and guards before using the product. Do not use the product if cutters, cutting unit or guards are damaged, as injury may occur.
- Always attach power cord to product first, then to power outlet. Be certain plug is inserted firmly into product up to mark indicated on plug. To disconnect, turn product off then remove power cord from outlet.
- Keep the power cord dry at all times. Do not handle with wet hands.

- Never put the product in direct sunlight or store at a temperature above 140°F (60°C).
- To prevent possible damage to the power cord, do not wrap power cord around the product.
- This product is for use on human hair only. Do not use the product for any other purpose.
- Always store the product, attachments and power cord in a moisture-free area. Make sure the cord is disconnected from the product.
- Do not attempt to open the product to remove or replace the built-in rechargeable battery.
- Only use the power cord and other accessories supplied with the product.
- Do not use an extension cord to charge the product.
- Unplug power cord before plugging in or unplugging the product.

SAVE THESE INSTRUCTIONS

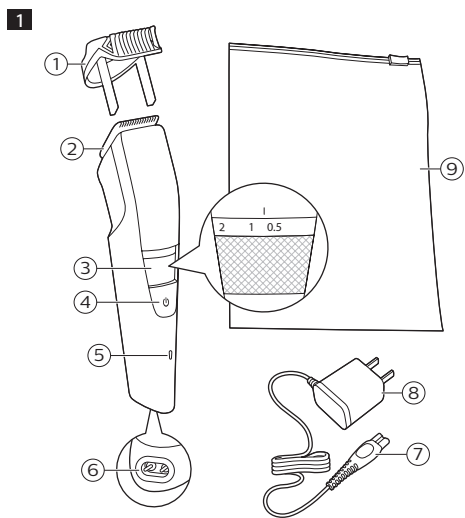
IMPORTANT: The power plug contains a transformer. Do not cut off the power plug to replace it with another plug as this will cause a hazardous condition.

Introduction

Congratulations on your purchase and welcome to Philips Norelco!

To fully benefit from the support that Philips Norelco offers, register your product at www.norelco.com/register.

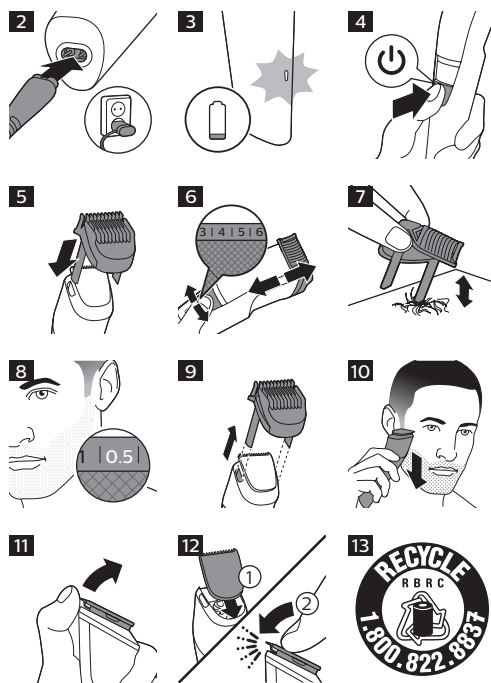




General description (fig. 1)

- 1 Trimming guard
- 2 Cutting unit
- 3 Zoom wheel
- 4 On/off button
- 5 Battery charge indicator
- 6 Socket for small plug
- 7 Small plug
- 8 Power plug
- 9 Pouch

Not shown: Cleaning brush



Charging

When the product has charged for 8 hours, it has a cordless operating time of up to 90 minutes.

- Charging, recharging or using the product at temperatures below 40°F (4,5°C) or higher than 95°F (35°C) adversely affects the lifespan of the battery.
 - If the product is subjected to a major change in temperature, pressure or humidity, let the product acclimatize for 30 minutes before use.
 - Charge the product fully before you use it for the first time and after a long period of disuse.
- 1 Make sure the product is switched off.
 - 2 Put the small plug in the product (Fig. 2) and put the power plug in the wall outlet.
 - 3 After charging, remove the power plug from the wall outlet and pull the small plug out of the product.

Optimizing the lifetime of the rechargeable battery

When you have charged the product for the first time, we advise you to use it until the battery is completely empty. Continue to use the product until the motor almost stops running during a session. Then recharge the battery. Follow this procedure at least twice a year.

Note: An adapter plug may be necessary for cord usage in some foreign countries. Use an attachment plug adapter of the proper configuration for power outlet.

Battery charge indicator

- When the product is charging, the battery charge indicator flashes green (Fig. 3).
- When the battery is fully charged, the battery charge indicator lights up green continuously.

Using the product

Always check the product and all accessories before using. Do not use the product or any accessory if it is damaged, as this may cause injury. Always replace a damaged part with one of the original type.

Note: Switch off and clean the product and attachments after each use.

Note: This product can only be used without cord. Make sure the product is charged before use.

- Use this product for its intended household use as described in this manual.
- For hygienic reasons, the product should only be used by one person.
- Trimming is easier when the skin and hair are dry.
- Always comb your beard and/or moustache with a fine comb before you start trimming.

Be careful when you trim for the first time. Do not move the trimmer too fast. Make smooth and gentle movements.

Switching the product on and off

- Press the on/off button once to switch the product on or off (Fig. 4).

Trimming with guard

Note: When you trim for the first time, start at the highest length setting to familiarize yourself with the product.

Use the trimming guard attached to the cutting element to trim your beard and moustache in your preferred style. Turn the zoom wheel to choose from 11 length settings ranging from 0.5mm to 10mm (1/32in. to 13/32in.).

- 1 Slide the trimming guard straight into the guiding groove of the product (Fig. 5).
- 2 Turn the zoom wheel to the desired setting (Fig. 6). The desired hair length setting is shown in the center of the zoom wheel.
- 3 Switch the product on.
- 4 To trim most effectively, move the product against the hair growth direction. Make sure that the surface of the guard always stays in contact with the skin.

Note: Since all hairs do not grow in the same direction, you may want to try different trimming positions (i.e., upwards, downwards, or across). Practice is best for optimum results.

- 5 Regularly remove cut hair from the guard. If a lot of hair has accumulated in the guard, remove it from the product and blow and/or shake out the hairs (Fig. 7). The selected hair length setting does not change when the guard is removed.
- 6 Switch off and clean the product after each use.

Trimming for 'stubble look'

- 1 Be certain trimming guard is on product and use setting 0.5mm (1/32in.) to create a 'stubble look' trim (Fig. 8).

Trimming without guard

Use the trimmer without the trimming guard to trim the edges and single hairs.

Be careful when you trim without the guard as the cutting unit will remove every hair it touches.

- 1 Pull the trimming guard straight off the product (Fig. 9).
- 2 Switch the product on.
- 3 Make well-controlled movements. Touch the hair lightly with the trimmer (Fig. 10).

Cleaning

Never use scouring pads, abrasive cleaning agents or aggressive liquids such as gasoline or acetone to clean the product.

Never dry the trimmer teeth with a towel or tissue, as this may damage the trimmer teeth.

- 1 Switch the product off and disconnect it from the power outlet.
- 2 Wipe the housing of the product with a dry cloth.

Caution: Never immerse the product in water, or rinse it under the tap. Only the cutting unit and guard can be rinsed under the tap.

- 3 Remove the guard (Fig. 9) and clean it with the cleaning brush and/or rinse it under the tap.
- 4 Remove the cutting unit by pushing against the teeth of the cutting unit (Fig. 11) and clean it with the brush or rinse it under the tap.
- 5 Carefully shake off excess water and let air dry completely.
- 6 Insert the lug of the cutting unit into the guiding slot and push the cutting unit back onto the product (Fig. 12).

This product has no other user-serviceable parts. For assistance call 1-800-243-3050.

Storage

- Store the product in the pouch supplied.
- Be sure the product is switched off. Remove cord from outlet and the product before storing it in a safe, dry location where it will not be crushed, banged, or subject to damage.
- Do not wrap cord around the product when storing.
- Store cord in a safe location where it will not be cut or damaged.
- Do not place or store the product where it can fall or be pulled into a tub or sink, water or other liquid.

Assistance

For assistance, visit our website: www.philips.com/support or call toll free 1-800-243-3050.

Online information is available 24 hours a day, 7 days a week.

Disposal

- This product contains a rechargeable lithium-ion battery which must be disposed of properly (Fig. 13). Contact your local town or city officials for battery disposal information. You can also call 1-800-822-8837 or visit www.call2recycle.org for battery drop-off locations.
- For assistance, visit our website www.philips.com/support or call 1-800-243-3050 toll free.
- Your product is designed and manufactured with high quality materials and components, which can be recycled and reused. For recycling information, please contact your local waste management facilities or visit www.recycle.philips.com

Full Two-Year Warranty

Philips North America LLC warrants this new product (except cutters and guard) against defects in materials or workmanship for a period of two years from the date of purchase, and agrees to repair or replace any defective product without charge.

IMPORTANT: This warranty does not cover damage resulting from accident, misuse or abuse, lack of reasonable care, the affixing of any attachment not provided with the product or loss of parts or subjecting the product to any but the specified voltage or batteries.*

NO RESPONSIBILITY IS ASSUMED FOR ANY SPECIAL, INCIDENTAL OR CONSEQUENTIAL DAMAGES.

In order to obtain warranty service, simply go to www.philips.com/support. It is suggested that for your protection you return shipments of product by insured mail, insurance prepaid. Damage occurring during shipment is not covered by this warranty.

NOTE: No other warranty, written or oral, is authorized by Philips North America LLC. This warranty gives you specific legal rights, and you may also have other rights which vary from state to state. Some states do not allow the exclusion or limitation of incidental or consequential damages, so the above exclusion and limitations may not apply to you.

*Read enclosed instructions carefully.

45-DAY MONEY-BACK GUARANTEE

If you are not fully satisfied with your product send the product back and we'll refund you the full purchase price.

The product must be shipped prepaid by insured mail, insurance prepaid, have the original sales receipt, indicating purchase price and date of purchase, and the money-back guarantee return authorization form enclosed.

We cannot be responsible for lost mail.

The product must be postmarked no later than 45 days after the date of purchase. Philips reserves the right to verify the purchase price of the product and limit refunds not to exceed suggested retail price.

To obtain money-back guarantee return authorization form, call 1-800-243-3050 for assistance.

Delivery of refund check will occur 6–8 weeks after receipt of returned product.

ESPAÑOL

INSTRUCCIONES IMPORTANTES ANTES DE SEGURIDAD

Cuando utilice un producto eléctrico, siempre debe seguir las precauciones básicas, incluyendo las siguientes:

Lea todas las instrucciones antes de usar este producto.

PELIGRO

Para reducir el riesgo de descarga eléctrica:

- No intente recoger un producto con cable que haya caído al agua. Desenchúfelo inmediatamente.
- Use el producto únicamente si está seco. No lo use mientras se baña en la tina ni en la ducha.
- No coloque ni guarde el producto en un lugar desde donde pueda caerse a una bañera o fregadero. No coloque el producto en un lugar desde donde pueda caerse al agua o a cualquier otro líquido.

- Siempre desenchufe este producto del tomacorriente eléctrico inmediatamente después de cargarlo.
- Desenchufe y quite el cable de alimentación de este producto antes de limpiarlo.
- Las baterías que se emplean en este producto pueden representar un riesgo de incendio o de quemadura química si no se manipulan correctamente. No desarme, incinere ni permita que la temperatura de las baterías supere los 100 °C (212 °F).

ADVERTENCIA

Para reducir el riesgo de quemaduras, incendio, descarga eléctrica o lesiones:

- El uso de este dispositivo debe estar bajo estricta supervisión cuando esté operado por niños, por personas con capacidades mentales, sensoriales o físicas limitadas o por personas con discapacidades, o cuando se emplee en o cerca de estos.
- Use este producto para su uso previsto en el hogar, según se describe en este manual. No use accesorios que no estén recomendados por la Corporación Philips North America LLC.
- Nunca emplee este producto si el cable eléctrico o el enchufe de carga están dañados, si no funciona correctamente, si se cayó, si está dañado o si se sumergió en agua mientras estaba conectado a la alimentación eléctrica. Para solicitar asistencia, comuníquese al 1-800-243-3050.
- Nunca sumerja el producto en agua ni lo enjuague en el grifo.

- Mantenga el producto, el cable eléctrico, el enchufe de carga y cualquier accesorio lejos de superficies calientes.
- No deje caer ni introduzca ningún objeto en ninguna abertura.
- No utilice el adaptador dentro o cerca de una salida de corriente que contenga un aromatizador eléctrico para prevenir daño al adaptador.
- No usarlo, cargue, limpie o conecte el producto a la intemperie ni lo use donde se estén usando productos de aerosol (atomizador) o donde se esté administrando oxígeno.
- Este producto es para uso en cabello humano (barba, bigote y patillas). No utilice el producto para ninguna otra propósitos.
- Siempre controle las cuchillas, la unidad de corte y los peines antes de usar el producto. No use el producto si las cuchillas, la unidad de corte o los peines están dañados, ya que puede producirse una lesión.
- Siempre ajuste primero el cable de alimentación al producto, después a la toma de corriente. Asegúrese de que el enchufe esté insertado firmemente en el producto hasta la marca indicada en el enchufe. Para desconectar, apague el producto y luego desconecte el cable de alimentación de la toma de corriente.
- Mantenga el cable de alimentación siempre seco. No lo use con las manos mojadas.
- Nunca exponga el producto a la luz directa del sol ni lo guarde en lugares con temperaturas superiores a los 140° F (60° C).

- Para prevenir posibles daños al cable, no lo enrede alrededor del producto.
- Este producto es para uso en cabello humano solamente. No use el producto para ningún otro propósito.
- Siempre guarde el producto, los accesorios y el enchufe en un lugar sin humedad. Asegúrese de que el cable esté desconectado del producto.
- No intente abrir el producto para retirar o reemplazar la batería recargable integrada.
- Utilice únicamente el cable de alimentación y los accesorios suministrados con el producto.
- No utilice un cable alargador para cargar el aparato.
- Desenchufe el cable de alimentación antes de enchufar o desconectar el producto.

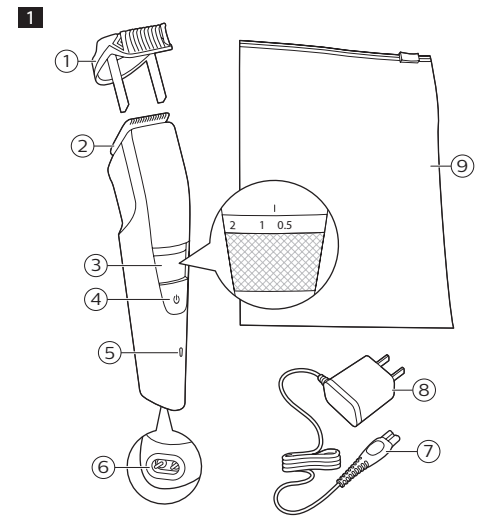
CONSERVE ESTAS INSTRUCCIONES

¡IMPORTANTE! El enchufe eléctrico contiene un transformador. No corte el enchufe eléctrico para reemplazarlo con otro ya que esto puede producir una condición de peligro.

Introducción

¡Felicitaciones por su compra y bienvenido a Philips Norelco!

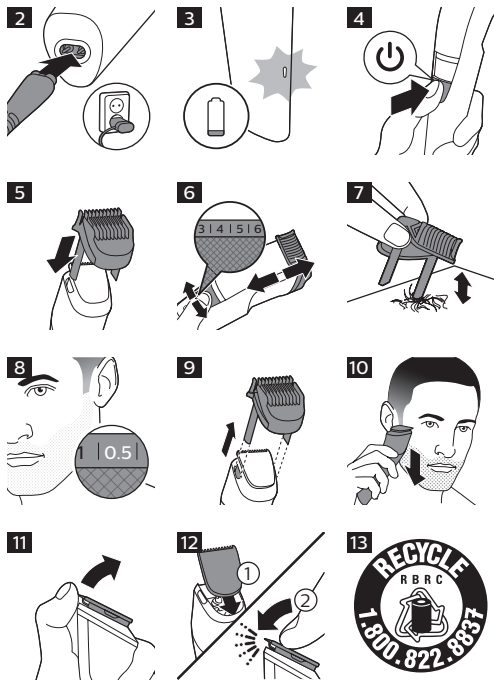
Para beneficiarse completamente del soporte que ofrece Philips Norelco, registre el producto en www.norelco.com/register.



Descripción general (fig. 1)

- 1 Guarda de la cortadora
- 2 Unidad de corte
- 3 Selector de longitud
- 4 Botón de encendido/apagado
- 5 Indicador de carga de la batería
- 6 Toma para clavija pequeña
- 7 Enchufe pequeño
- 8 Enchufe eléctrico
- 9 Funda

No se muestra: Cepillo de limpieza



Carga

Cuando el producto se haya cargado durante 8 horas, posee una autonomía de funcionamiento de hasta 90 minutos sin cable.

- La carga, recarga o el uso del producto a temperaturas por debajo de los 40° F (4.5° C) o superiores a los de 95° F (35° C) afecta la vida útil de la batería.

- Si el producto está sujeto a un cambio de temperatura, presión o humedad de consideración, deje aclimatar el producto durante 30 minutos antes de utilizarlo.

- Cargue el producto completamente antes de usarlo por primera vez y después de un largo periodo de no usarlo.

- 1 Asegúrese de que el producto esté apagado.
- 2 Coloque el enchufe pequeño en el producto (Fig. 2) y conecte el enchufe en el tomacorriente de pared.
- 3 Después de realizar la carga, retire el enchufe del tomacorriente y retire la clavija pequeña del producto.

Optimizar la duración de la batería recargable.

Cuando haya cargado el producto por primera vez, es recomendable que use la batería hasta que esté completamente descargada. Siga usando el producto hasta que el motor casi se detenga durante una sesión. Luego recargue la batería. Siga este procedimiento al menos dos veces al año.

Nota: Es posible que se requiera un enchufe adaptador para el uso del cable en algunos países extranjeros. Use un enchufe adaptador compatible con la configuración del tomacorriente.

Indicador de carga de la batería

- Cuando el producto se está cargando, el indicador de carga de batería destella en color verde (Fig. 3).

- Cuando la batería está totalmente cargada, el indicador de carga de batería se ilumina en verde continuamente.

Uso del producto

Siempre revise el producto y todos los accesorios antes de usarlo. No use el producto ni ningún accesorio si está dañado, ya que esto puede causar alguna lesión. Siempre reemplace una pieza dañada con una del tipo original.

Nota: Desconecte y limpie el producto y los accesorios después de cada uso.

Nota: Este producto solo se puede utilizar sin cable. Asegúrese de que el producto esté cargado antes de usarlo.

- Use este producto para su uso previsto en el hogar, según se describe en este manual.
- Por motivos de higiene, el producto debe emplearse únicamente por una persona.
- El recorte es más fácil cuando la piel y el vello están secos.
- Siempre peine su barba o su bigote con un peine fino antes de comenzar a recortar.

Tenga cuidado cuando corte la primera vez. No mueva la cortadora demasiado rápido. Realice movimientos suaves y agradables.

Encendido y apagado del producto

- Presione el botón de encendido/apagado una vez para encender o apagar el producto (Fig. 4).

Cortar con protector

Nota: Cuando realice el primer recorte, empiece en el ajuste de longitud más alto para que se familiarice con el producto.

Use el protector para cortar en el elemento de cortado para recortar la barba y el bigote en su estilo preferido. Gire el selector de longitud para elegir de entre 11 ajustes de longitud desde 0.5 mm a 10mm (1/32 a 13/32 pulg.).

- 1 Deslice el protector para cortar en las ranuras guía del producto (Fig. 5).
- 2 Gire el selector de longitud hasta el ajuste deseado (Fig. 6). El ajuste de la longitud del largo deseado se muestra en el centro del selector.
- 3 Encienda el producto.
- 4 Para lograr un recorte más efectivo, desplace el producto a contrapelo. Asegúrese de que la superficie del protector esté siempre en contacto con la piel.

Nota: Ya que todo el cabello no crece en la misma dirección, sería recomendable que tratara diferentes posiciones de cortado (por ejemplo, hacia arriba, hacia abajo o hacia los lados). La práctica le ayudará a lograr óptimos resultados.

- 5 Elimine el cabello cortado del protector. Si se acumuló mucho cabello en el protector, retírelo del producto y sople o sacuda el cabello (Fig. 7). El ajuste de longitud de cabello seleccionado no cambia cuando se retira el protector.
- 6 Desconecte y limpie el producto después de cada uso.

Cortar para un 'look al ras'

- 1 Asegúrese de que el protector para cortar está en el producto y use el ajuste 0.5 mm (1/32 pulg.) para crear un corte de 'look al ras' (Fig. 8).

Cortar sin el protector

Use la cortadora sin el protector para cortar las orillas y cabellos individuales.

Tenga cuidado cuando recorte sin el protector ya que la cortadora eliminará cualquier cabello que toque.

- 1 Extraiga el protector para cortar del producto (Fig. 9).
- 2 Encienda el producto.
- 3 Realice movimientos controlados. Toque el cabello ligeramente con la cortadora (Fig. 10).

Limpieza

Nunca use estropajos, agentes de limpieza abrasivos ni líquidos agresivos como gasolina o acetona para limpiar el producto.

Nunca seque los dientes de la cortadora con una toalla o paño, ya que esto puede dañar el dentado de recorte.

- 1 Apague el producto y desconéctelo del tomacorriente.
- 2 Limpie la carcasa del producto con un paño seco.

Precaución: Nunca sumerja el producto en agua ni lo enjuague en el grifo. Solo el elemento de corte y el protector pueden enjuagarse en el grifo.

- 3 Retire el protector (Fig. 9) y límpielo con un cepillo limpiador o enjuáguelo en el grifo.
- 4 Retire la unidad de cortado al empujar contra los dientes de la misma (Fig. 11) y límpiela con el cepillo o enjuáguela en el grifo.
- 5 Elimine cuidadosamente el exceso de agua y deje secar al aire completamente.

- 6 Inserte la lengüeta de la unidad de cortado dentro de la ranura guía y empújela de nuevo hacia adentro del producto (Fig. 12).

Este producto no contiene otras piezas que requieran mantenimiento. Para solicitar asistencia, comuníquese al 1-800-243-3050.

Almacenamiento

- Guarde el producto en la funda provista.
- Asegúrese de que el producto esté apagado. Retire el cable del enchufe y del producto antes de guardarlo. Guarde el producto en un lugar seguro y seco donde no pueda aplastarse, golpearse o dañarse.
- No enrolle el cable alrededor del producto para guardarlo.
- Guarde el cable en un lugar seguro donde no sufra cortes ni daños.
- No coloque ni guarde el producto en un lugar desde donde pueda, de algún modo, caer a una bañera, lavabo o dentro de cualquier recipiente que contenga agua o líquido.

Asistencia

Para asistencia, visite nuestro sitio web: www.philips.com/support o llame al número gratuito 1-800-243-3050.

La información en línea está disponible las 24 horas, los siete días de la semana.

Desecho

- Este producto posee una batería recargable de litio-ión que debe desecharse apropiadamente (Fig. 13). Contacte a sus funcionarios locales o de la ciudad para mayor información acerca del manejo final de la batería. También puede llamar al 1-800-822-8837 o visitar www.call2recycle.org para las ubicaciones donde se pueden desechar las baterías.
- Para obtener ayuda visite nuestro sitio web www.philips.com/support o llame gratuitamente al número 1-800-243-3050.

- Su producto está diseñado y fabricado con materiales y componentes de alta calidad, que pueden ser reciclados y reusados. Para obtener información sobre reciclado, comuníquese con las oficinas locales de manejo de desechos o visite www.recycle.philips.com

Garantía Total de Dos Años

Philips North America LLC garantiza este producto nuevo (excepto cuchillas y protector) contra defectos en los materiales o en la mano de obra por un período de dos años desde la fecha de compra y acepta reparar o reemplazar cualquier producto defectuoso sin cargo.

IMPORTANTE: Esta garantía no cubre ningún daño que surja como resultado de un accidente, de un uso indebido o abuso, de la falta de cuidado razonable, del uso de cualquier accesorio no provisto con el producto ni la pérdida de piezas, así como tampoco ningún daño derivado del uso del producto con una tensión o con baterías que no sean las establecidas.*

NINGUNA RESPONSABILIDAD ES ASUMIDA POR CUALQUIER DAÑO, INCIDENTAL O RESULTANTE.

Para obtener el servicio de garantía, simplemente ingrese a www.philips.com/support. Para su protección, se sugiere que el envío de las devoluciones del producto se realice por correo certificado con seguro pagado. Cualquier daño que ocurra durante el envío no será cubierto por esta garantía.

NOTA: Philips North America LLC. no extiende ninguna otra garantía, ni escrita ni oral.

Esta garantía le proporciona derechos legales específicos; asimismo, es posible que goce de otros derechos que pueden variar de estado a estado. En algunos estados no se permite la exclusión o la limitación de los daños fortuitos o resultantes, de modo que es posible que las limitaciones o exclusiones arriba mencionadas no se apliquen a su caso.

*Lea las instrucciones adjuntas atentamente.

GARANTÍA DE DEVOLUCIÓN DE SU DINERO POR 45 DÍAS

Si no está completamente satisfecho con su producto, envíelo de regreso y le reembolsaremos el total de la compra.

El producto debe enviarse por correo certificado pago, con seguro prepago, junto con el recibo original de compra, donde se indique el precio y la fecha de compra, así como el formulario de autorización para la garantía de devolución de dinero.

No asumimos ninguna responsabilidad por los paquetes perdidos.

El paquete del producto debe contar con matasellos que no supere los 45 días a partir de la fecha de compra. Philips se reserva el derecho a verificar el precio de compra del producto y limita los reembolsos al precio de venta minorista sugerido.

Para obtener el formulario de autorización para la garantía de devolución del dinero, llame al 1-800-243-3050 para obtener asistencia.

La entrega del cheque de reembolso ocurrirá de 6 a 8 semanas después de la recepción del producto devuelto.