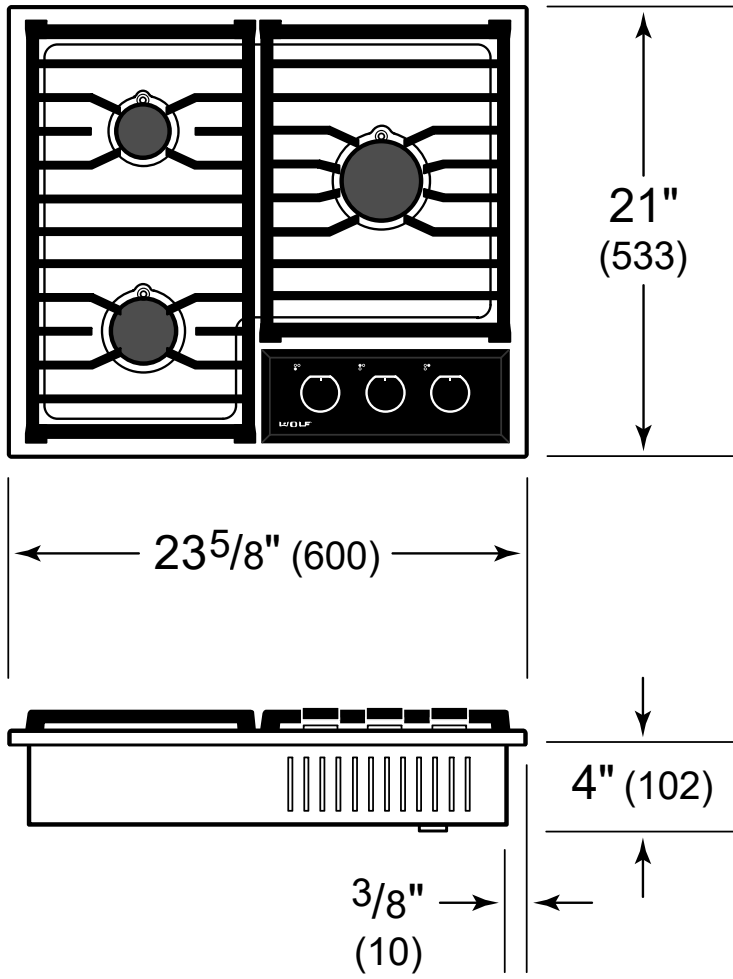
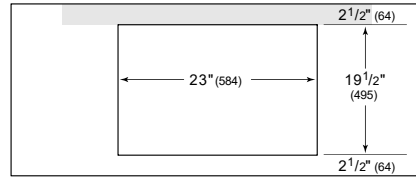


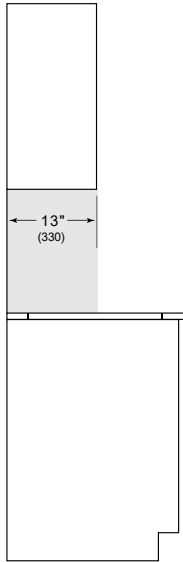
## Dimensions



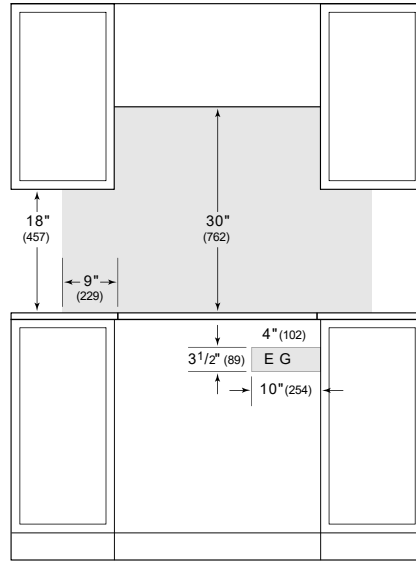
## Standard Installation



COUNTERTOP CUT-OUT



SIDE VIEW



FRONT VIEW

NOTE: Shaded area above countertop indicates minimum clearance to combustible surfaces, combustible materials cannot be located within this area.  
 Electrical and gas supply location only applies to installations with built-in oven.

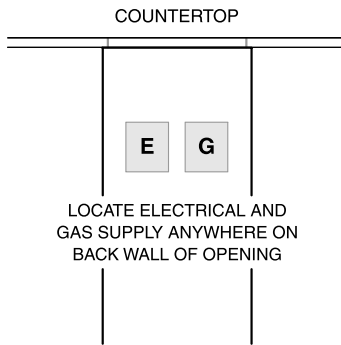
# Electrical Requirements

## Electrical Requirements

Electrical Supply 120 VAC, 60 Hz

Electrical Service 15 amp dedicated circuit

Electrical Location Illustration



## Gas Requirements

### Gas Requirements

Gas Supply 3/4" ID line

Gas Inlet 1/2" NPT female

Gas Supply Illustration

