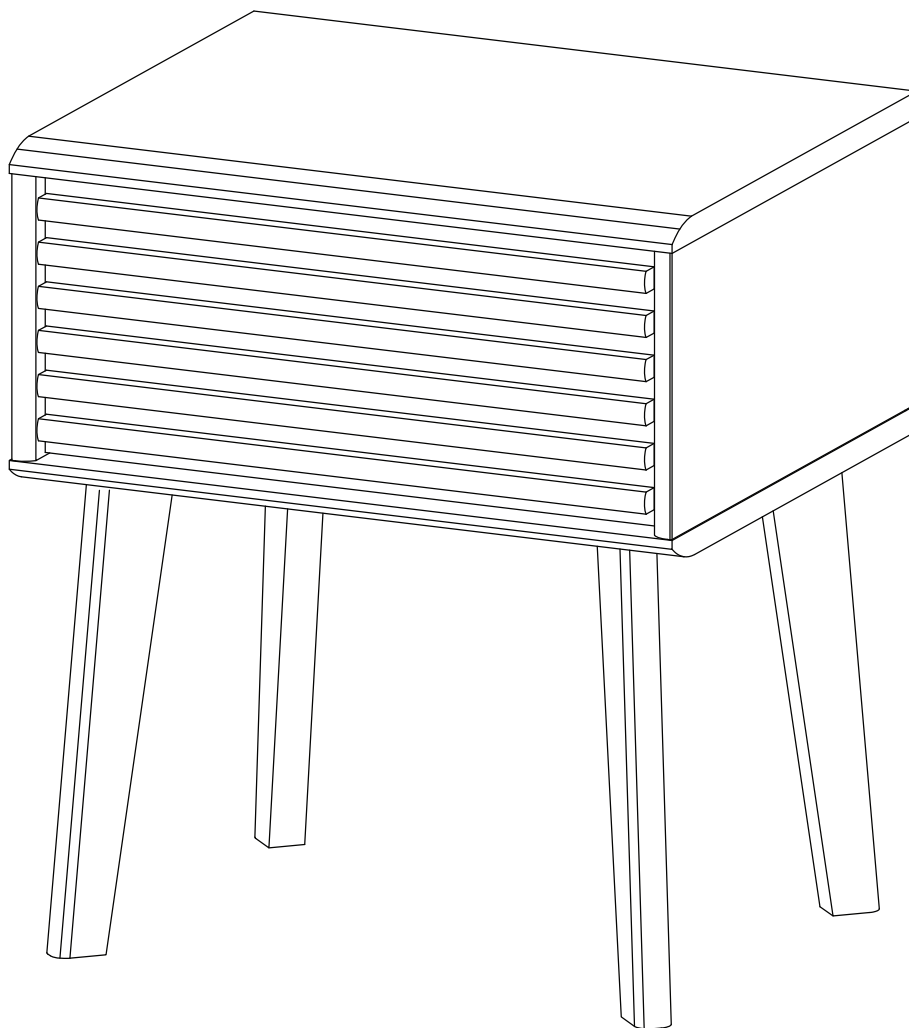


# ASSEMBLY INSTRUCTIONS

# EEI-3345

V3.12.19.24



**Questions? Contact us!**

609.256.9000 • [cs@modway.com](mailto:cs@modway.com)  
[www.modway.com](http://www.modway.com)

\*modway



Read through all of the instructions before starting



Care instructions are listed in the last step of this manual



Approx. 60 minutes assembly time



Make sure you have all parts and components before discarding any packing materials



2 people recommended for assembly

**Only use hand tools to assemble this item.** Do not use power tools. Do not tighten bolts or screws completely until all hardware is lined up and inserted into the holes.

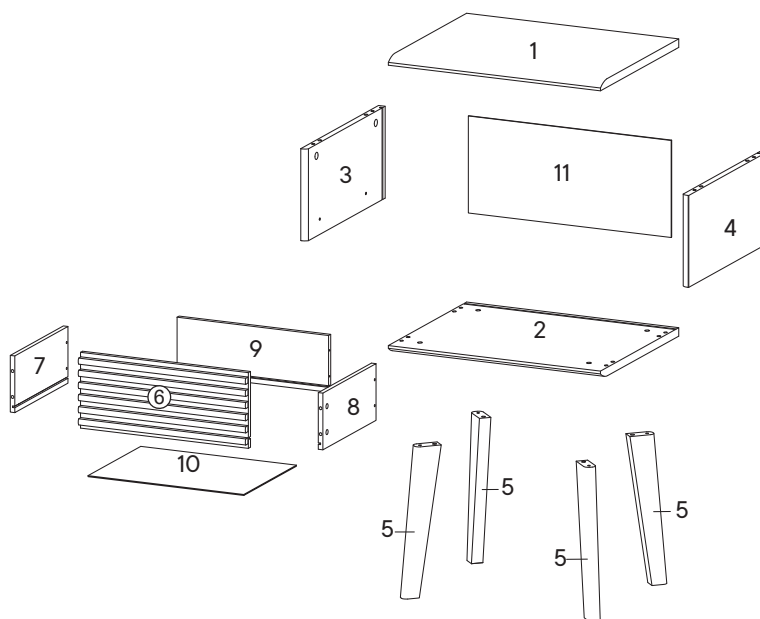
Do not over-tighten screws and bolts to avoid stripping the hardware or cracking the item.

Assemble your item on a flat, carpeted area, with plenty of space to work. This will prevent damage and scratches to your floors or the item while you're assembling the product.

Keep all components and packaging out of reach of children or animals to avoid risk of choking or suffocation.

## Furniture components:

1	Top Board	x1	11	Back Board	x1
2	Bottom Board	x1			
3	Side Board Left	x1			
4	Side Board Right	x1			
5	Leg	x4			
6	Front Drawer	x1			
7	Side Drawer Left	x1			
8	Side Drawer Right	x1			
9	Back Drawer	x1			
10	Bottom Drawer	x1			



## Provided hardware:

A		Cam Bolt $\varnothing 6 \times 35$ mm	x4	J		Screw M 6.5 x 10.5 mm	x4
B		Cam Bolt $\varnothing 6 \times 32$ mm	x4	K		Screw M 3.5 x 13 mm	x6
C		Cam Lock $\varnothing 15$ mm	x4	RM30A		Drawer Runner	x1
D		Cam Lock $\varnothing 12$ mm	x4	<b>What you need:</b>			
E		Wood Dowel $\varnothing 8 \times 30$ mm	x12		Phillips Head Screwdriver		
F		Screw M 7 x 50 mm	x8				
G		Allen Key	x1				
H		Screw M 8 x 39 mm	x4				
I		Floor Protector	x4				

**Wait!**

Missing parts or hardware? Need assistance?  
Contact us before returning your item. We're here to help!  
609.256.9000 • cs@modway.com

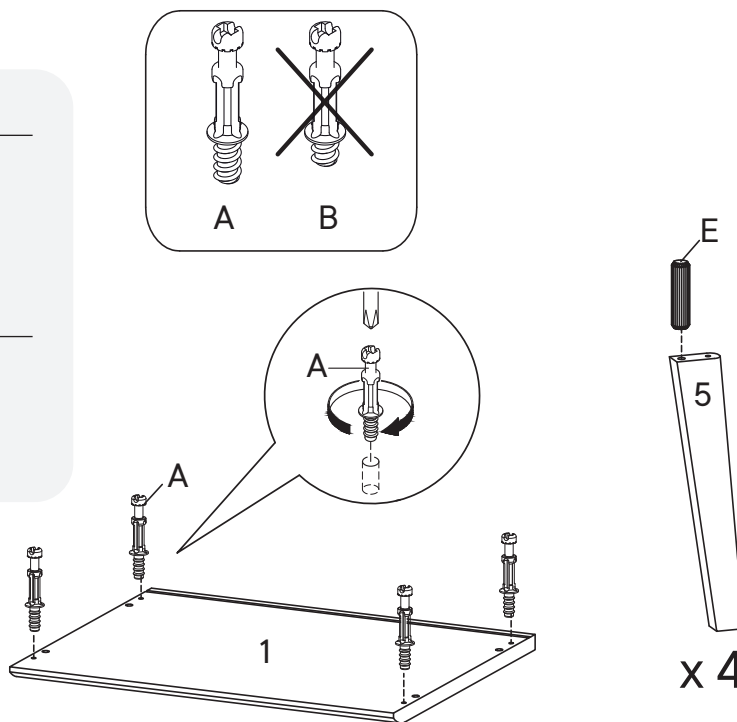
# Step 1

## HARDWARE

- A** Cam Bolt  $\varnothing 6 \times 35$  mm x4
- E** Wood Dowel  $\varnothing 8 \times 30$  mm x4

## COMPONENTS

- 1** Top Board x1
- 5** Leg x4



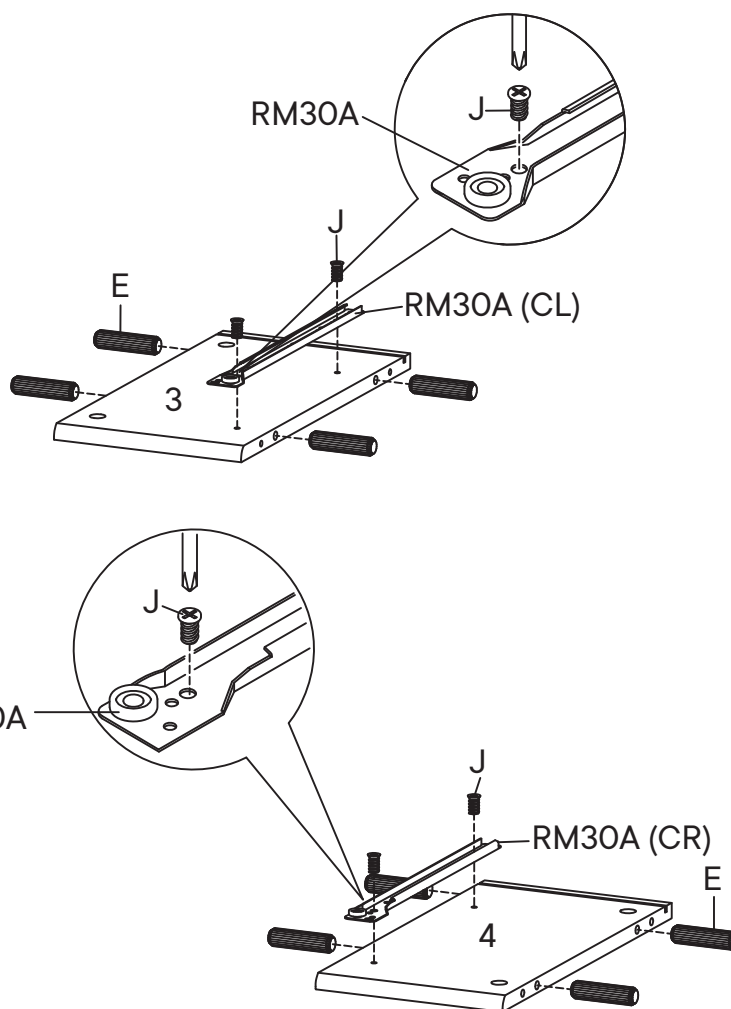
# Step 2

## HARDWARE

- E** Wood Dowel  $\varnothing 8 \times 30$  mm x8
- J** Screw M 6.5 x 10.5 mm x4
- RM30A** Drawer Runner x1

## COMPONENTS

- 3** Side Board Left x1
- 4** Side Board Right x1



## Step 3

### HARDWARE

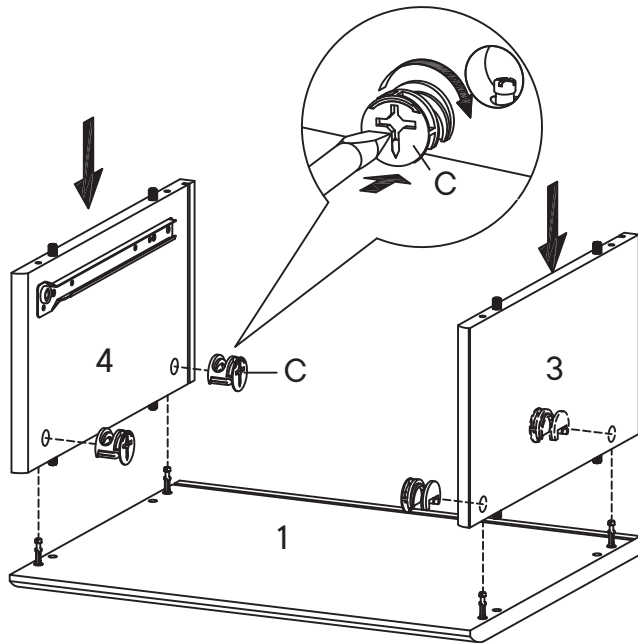
**C** Cam Lock Ø15 mm x4

### COMPONENTS

**1** Top Board x1

**3** Side Board Left x1

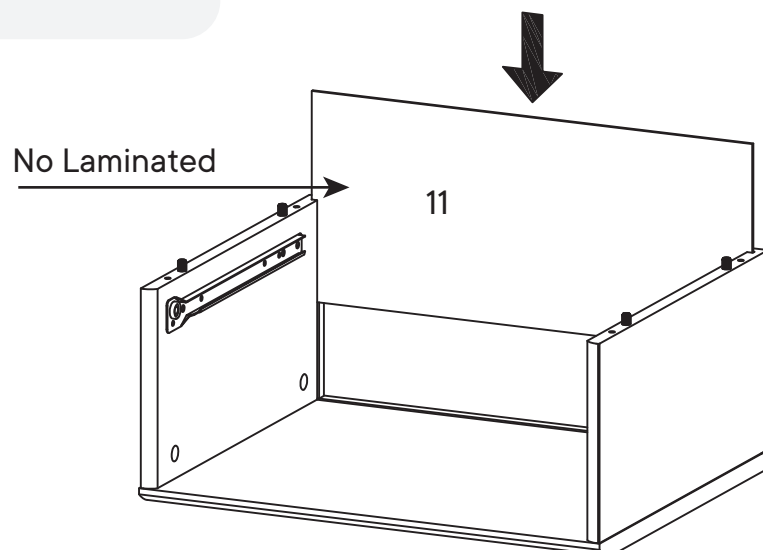
**4** Side Board Right x1



## Step 4

### COMPONENTS

**11** Back Board x1



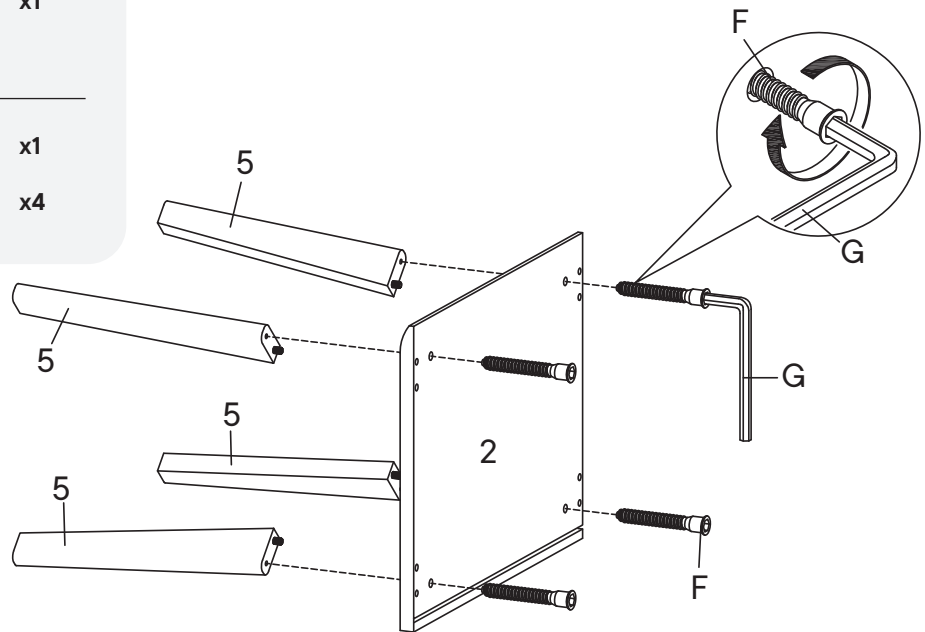
## Step 5

### HARDWARE

- F** Screw M 7 x 50 mm x4
- G** Allen Key x1

### COMPONENTS

- 2** Bottom Board x1
- 5** Leg x4



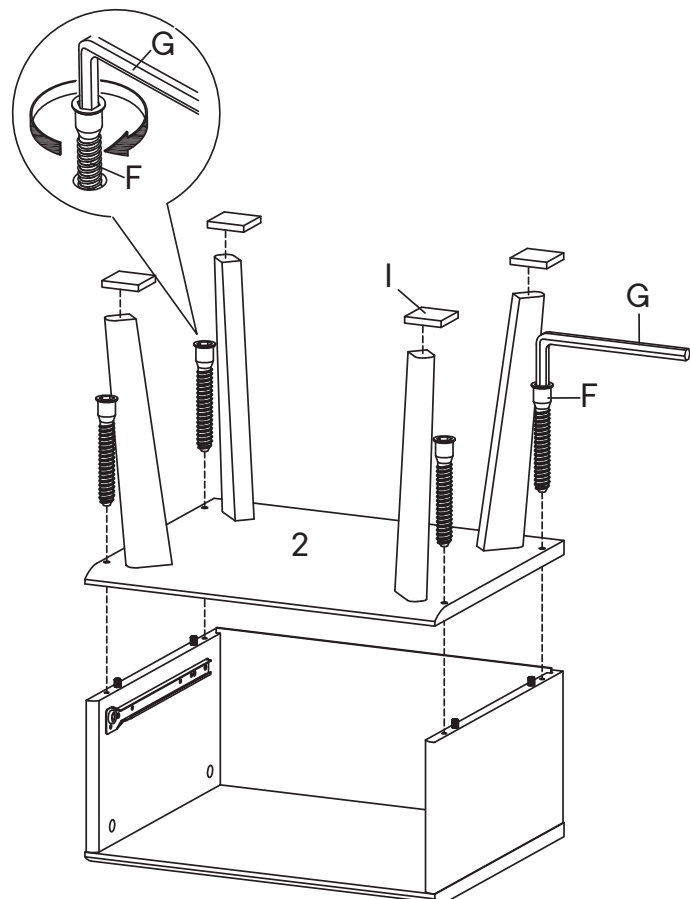
## Step 6

### HARDWARE

- F** Screw M 7 x 50 mm x4
- I** Floor Protector x4
- G** Allen Key x1

### COMPONENTS

- 2** Bottom Board x1



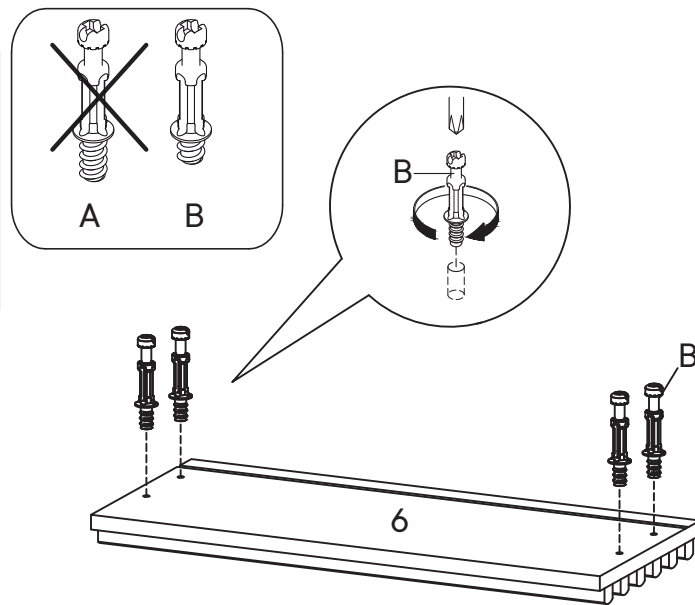
# Step 7

## HARDWARE

**B** Cam Bolt Ø6 x 32 mm x4

## COMPONENTS

**6** Front Drawer x1



# Step 8

## HARDWARE

**D** Cam Lock Ø12 mm x4

**H** Screw M 8 x 39 mm x4

## COMPONENTS

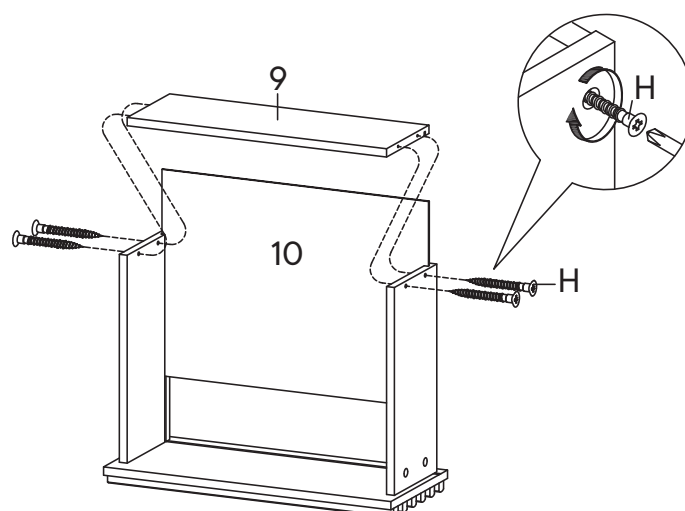
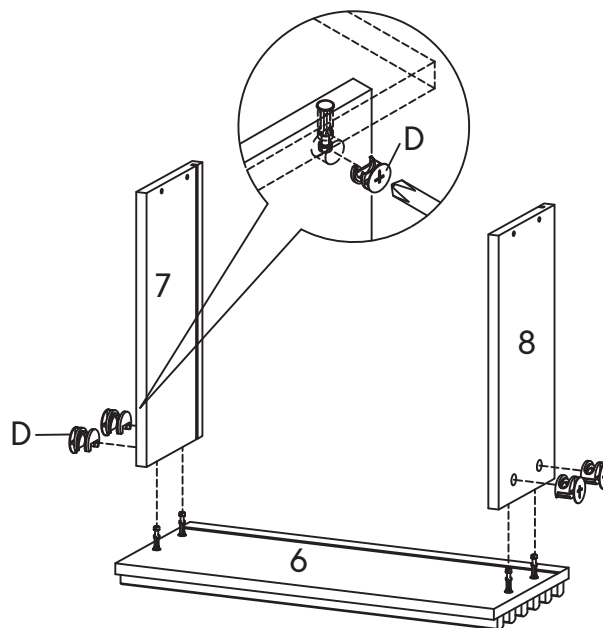
**6** Front Drawer x1

**7** Side Drawer Left x1

**8** Side Drawer Right x1

**9** Back Drawer x1

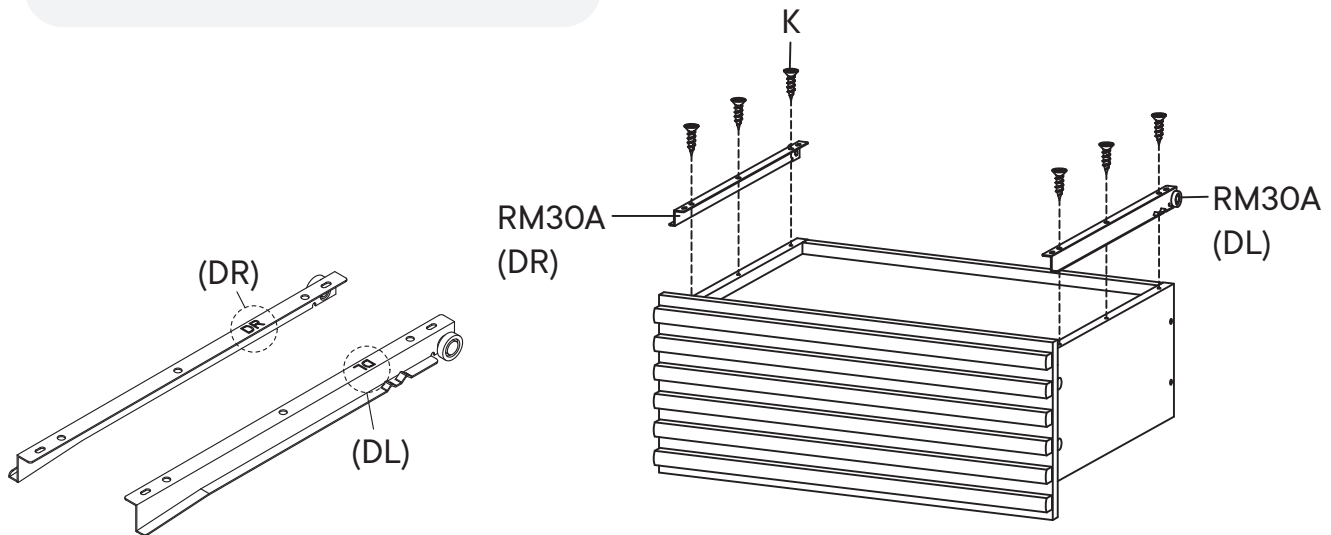
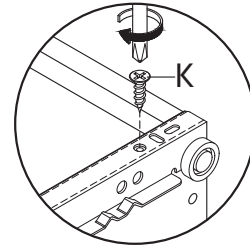
**10** Bottom Drawer x1



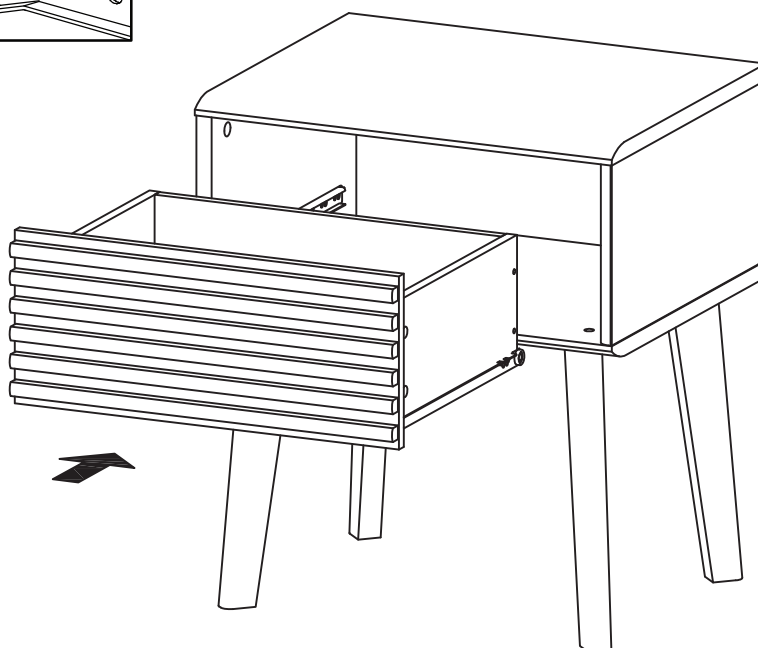
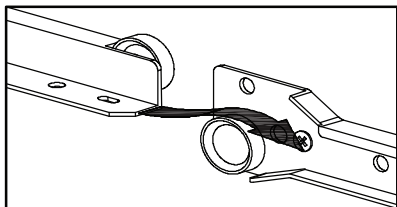
# Step 9

## HARDWARE

- K** Screw M 3.5 x 13 mm x6
- RM30A** Drawer Runner x1



# Step 10



# Great job!

Side Table assembly is complete.

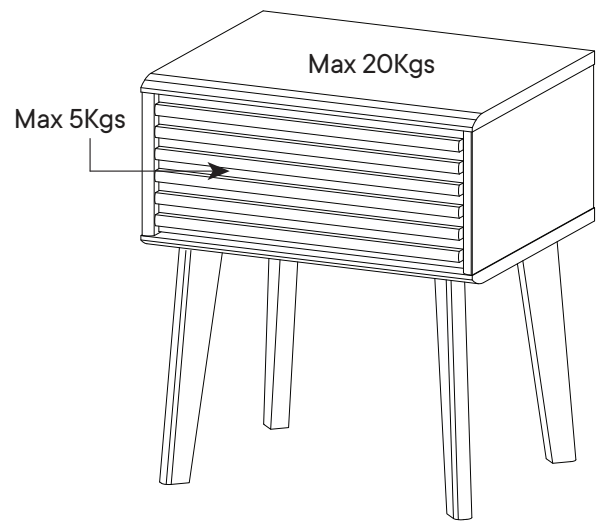
## ♥ CARING FOR YOUR ITEM

Indoor use only.

Not contract grade.

Clean using a non-abrasive cloth and a mild cleaner.

Never use harsh chemicals, as they could damage the finish or integrity of the item.



## CONNECT WITH US!

Tag us @modway\_furniture and #modway for a chance to be featured.