

48" GAS RANGE - 4 BURNERS, INFRARED CHARBROILER AND INFRARED GRIDDLE



GR484CG



FEATURES

4 dual-stacked burners plus 16,000 Btu charbroiler and 15,000 Btu griddle

Convection oven for faster, more consistent cooking

Infrared broiler inside 30" oven sears quickly and evenly

Second, 18" non-convection oven

Dual-stacked, sealed burners for higher highs, lower lows

Continuous cast-iron grates for easy movement of pots and pans

Rigorously tested in our U.S. manufacturing facilities for decades of use

Exceptional 24/7 support from our Customer Care team in Madison

Heavy-gauge stainless steel

Signature red infinite control knobs

Enhanced views into oven

Individual spark ignition system

Adjustable legs for stability, plus rear casters

Second, 18" non-convection oven

ACCESSORIES

Bake stone kit (stone, rack and peel)

Stainless steel, brass or chrome bezels

High altitude conversion kit

Full-extension easy glide oven rack

Cast iron S-grates and wok grate

Stainless steel kickplate

Signature red, black or stainless steel control knobs

Front leg covers

5" and 10" stainless steel risers, and 20" riser with shelf

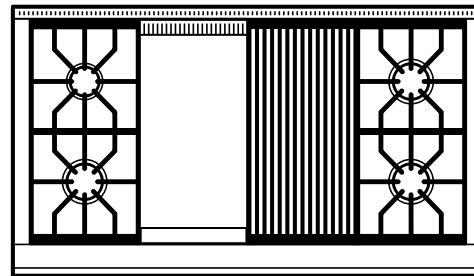
Accessories available through an authorized Sub-Zero dealer.
For local dealer information, visit subzero-wolf.com/locator.



KNOB OPTIONS



TOP CONFIGURATION



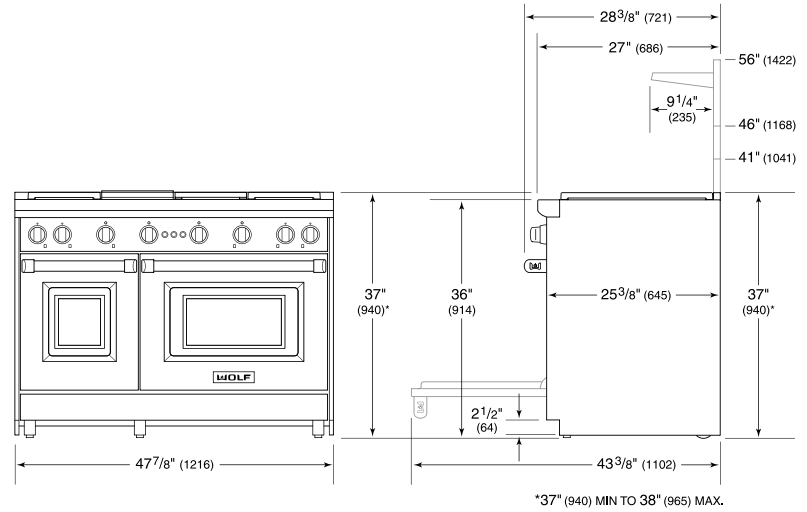
RANGETOP SPECIFICATIONS

- 1 - 9,200 Btu Burner
- 3 - 15,000 Btu Burners
- 16,000 Btu Charbroiler
- 1 - 15,000 Btu (13,000 Btu LP) Griddle

PRODUCT SPECIFICATIONS

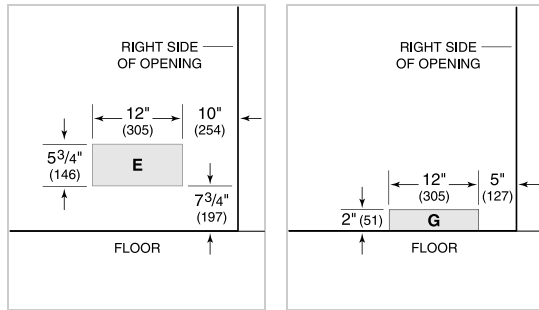
Model	GR484CG
Dimensions	47 7/8"W x 37"H x 28 3/8"D
Oven 1 Interior Dimensions	13 1/2"W x 18 5/8"H x 17"D
Oven 2 Interior Dimensions	24"W x 18 5/8"H x 17"D
Oven 1 Usable Capacity	1.6 cu ft
Oven 1 Overall Capacity	2.5 cu ft
Oven 2 Usable Capacity	2.9 cu ft
Oven 2 Overall Capacity	4.4 cu ft
Door Clearance	19 1/2"
Weight	750 lb
Electrical Supply	110/120 VAC, 50/60 Hz
Electrical Service	15 amp dedicated circuit
Gas Supply	3/4" rigid pipe
Gas Inlet	1/2" NPT female

DIMENSIONS

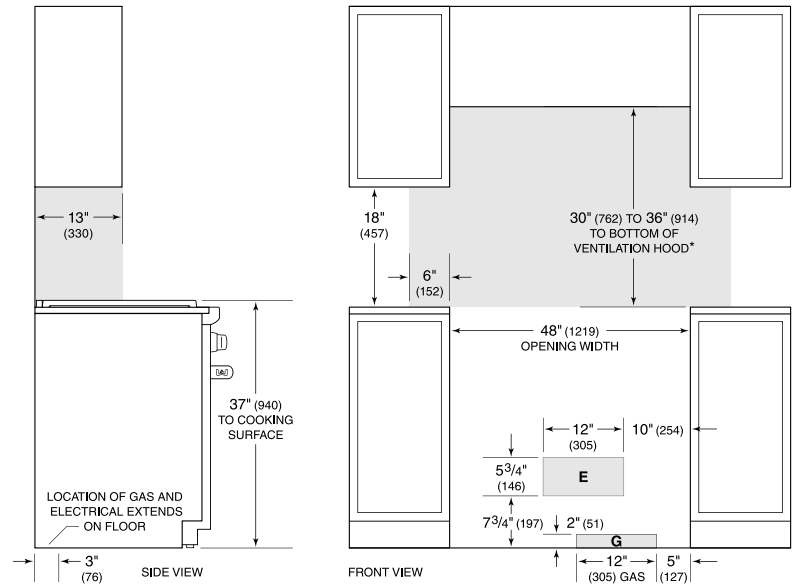


ELECTRICAL

GAS



STANDARD INSTALLATION



**Without ventilation hood, 42" (1067) minimum clearance countertop to combustible materials, charbroiler and GR488 require non-combustible materials. NOTE: Shaded area above countertop indicates minimum clearance to combustible surfaces, combustible materials cannot be located within this area. For island installation, 12" (305) minimum clearance back of range to combustible rear wall above countertop.*