

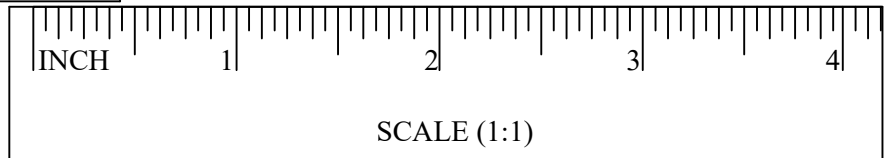
Thank you for purchasing this quality product. Be sure to check all packing materials carefully for small parts, which may have come loose inside the carton during shipment. Identify and count all items and compare with the parts list and/or hardware list shown.

PARTS LIST

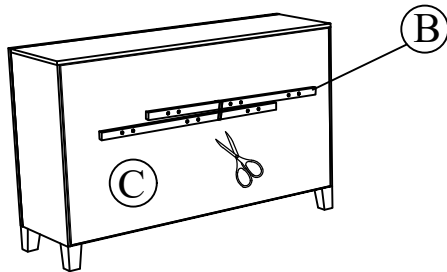
NO	COMPONENT	DRAWING	QTY
A	Mirror		1 pc
B	Mirror Support (Attached at back of Dresser)		2 pcs
C	Dresser		1 pc

HARDWARE LIST

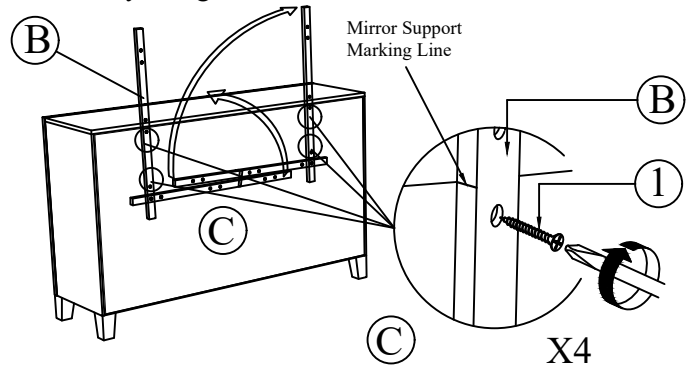
NO	COMPONENT	DRAWING	QTY
1	Flat Head Chipboard Screw M4 x 1 2/8" Rbw		10 pcs



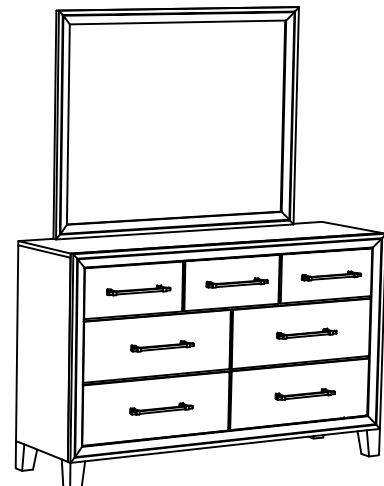
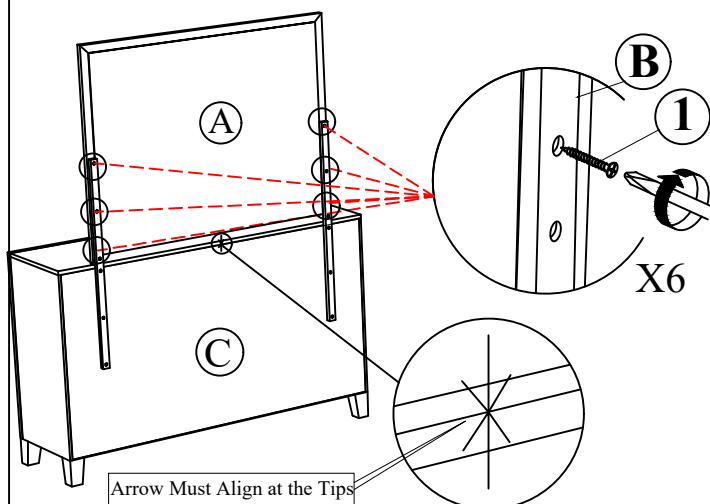
STEP 1 : Cut off the string that is holding down the mirror support (B) at the back of the dresser (C)



STEP 2 : Turn the mirror support (B) vertical at the back of the dresser (C) and align it against the marking on the mirror support (B) to the edge of the dresser (C). Tighten the mirror support (B) to the dresser (C) by using a screwdriver with hardware 1.



STEP 3 : Place the mirror (A) on the dresser (C) and align the arrow marking on the mirror (A) to the arrow marking on the dresser (C). Tighten the mirror (A) to the mirror support (B) by using a screwdriver with hardware 1.



COMPLETED ASSEMBLY