



Range Hood Instruction Manual

FRHWM5029-36/48HB



IMPORTANT:

READ AND SAVE THESE INSTRUCTIONS

NOTICE:

Installer: Leave this guide with the homeowner

Homeowner: Keep this guide for future reference

STAINLESS STEEL PROFESSIONAL RANGE HOOD

Customer Care

Thank you for purchasing a **FORNO** product. Please read the entire instruction manual before operating your new appliance for the first time. Whether you are an occasional user or an expert, it will be beneficial to familiarize yourself with the safety practices, features, operation and care recommendations of your appliance.

Both the model and serial number are listed inside the product. For warranty purposes, you will also need the serial number, the date of purchase & a copy of your proof of purchase. Record this information below for future reference.

SERVICE INFORMATION

Use these number in any correspondence or service calls concerning your product.

Model Number

If you received a damaged product, immediately contact **FORNO**.

Serial Number

Save time and money. Before you call for service, check the Troubleshooting Guide. It lists the causes of minor operating problems that you can correct yourself.

Date of Purchase

Purchase Address & Phone

SERVICE IN CANADA & UNITED STATES

Keep the instruction manual handy to answer your questions. You can also find all the information you need online at www.forno.ca.

If you don't understand something or need more assistance, please visit our website or email: info@forno.ca

If there is a problem, please contact FORNO customer service. Please note that troubleshooting with a customer service representative will be needed before being able to send a service provider. All warranty work needs to be authorized by FORNO customer service. All our authorized service providers are carefully selected and rigorously trained by us.

Warranty

What this limited warranty covers:

The Warranty coverage provided by Forno Appliances in this statement applies exclusively to the original Forno appliance ("Product") sold to the consumer ("Purchaser") by an authorized Forno dealer/distributor/retailer, purchased and installed in the United States or Canada, and which has always remained within the original country of purchase (the United States or Canada). Warranty coverage is activated on the date of the Product's original retail purchase and has a duration of two (2) years.

Warranty coverage is non-transferable. In the event of replacement of parts or of the entire product, the replacement Product (or parts) shall assume the remaining original Warranty activated with the original retail purchase document. This Warranty shall not be extended with respect to such replacement. Forno Appliances will repair or replace any component/part which fails or proves defective due to materials and/or workmanship within 2 years of the date of the original retail purchase and under conditions of ordinary residential, non-commercial use. Repair or replacement will be free of charge, including labor at standard rates and shipping expenses. Purchaser is responsible for making the Product reasonably accessible for service. Repair service must be performed by a Forno Authorized Service company during normal working hours.

IMPORTANT

Retain proof of original purchase to establish warranty period. Forno's liability on any claim of any kind, with respect to the goods and/or services provided, shall in no event exceed the value of the goods or service or part there of which has given rise to the claim.

30-Day Cosmetic Warranty

The Purchaser must inspect the product at the time of delivery. Forno warrants that the Product is free from manufacturing defects in materials and workmanship for a period of thirty (30) days from date of the original retail purchase of the Product.

This coverage includes:

- Paint blemishes
- Chips
- Macroscopic finish defects

Cosmetic warranty does NOT cover:

- > issues resulting from incorrect transport, handling and/or installation (e.g.: dents, broken, warped or deformed structures or components, cracked or otherwise damaged glass components);
- > slight color variations on painted/enameled components;
- > differences caused by natural or artificial lighting, location or other analogous factors;
- > stains/corrosion/discoloration caused by external substances and/or environmental factors;
- > labor costs, display, floor, B-stock, out- of-box, "as is" appliances and demo units.

How to receive service

To receive warranty services, the Purchaser must contact the Forno Support department in order to determine the problem and the required service procedures. Troubleshooting with a customer service representative will be necessary before moving forward with the service. Model number, serial number and date of original retail purchase will be requested.

Warranty Exclusions: What Is Not Covered.

- > Use of the Product in any non-residential, commercial application.
- > Use of the Product for anything other than its intended purpose.
- > Repair services provided by anyone other than a Forno Authorized Service agency.
- > Damages or repair services to correct services provided by unauthorized parties or the use of unauthorized parts.
- > Installation not in accordance with local/state/city/county fire codes, electrical codes, gas codes, plumbing codes, building codes, laws or regulations.
- > Defects or damage due to improper storage of the Product.
- > Defects, damage or missing parts on products sold out of the original factory packaging or from displays.
- > Service calls or repairs to correct an incorrect installation of the Product and/or related accessories.
- > Replacement of parts/service calls to connect, convert or otherwise repair the electrical wiring and/or gas line in order to properly use the product.
- > Replacement of parts/service calls to provide instructions and information on the use of the Product.
- > Replacement of parts/service calls to correct issues arising from the product being used in a manner other than what is normal and customary for residential use.
- > Replacement of parts/service calls due to wear and tear of components such as seals, knobs, pan supports, shelving, cutlery baskets, buttons, touch displays, scratched or broken ceramic-glass tops.
- > Replacement of parts/service calls for lack of/improper maintenance, including but not limited to: build up of residues, stains, scratches, discoloration, corrosion.
- > Defects and damages arising from accidents, alteration, misuse, abuse or improper installation.
- > Defects and damages arising from Product transport, logistics and handling. Inspection of the product must be made at time of delivery. Following receipt and inspection, the selling dealer/delivery company must be notified of any issues arising from handling, transport and logistics.
- > Defects and damages arising from external forces beyond the control of Forno Appliances, including but not limited to wind, rain, sand, fires, floods, mudslides, freezing temperatures, excessive moisture or extended exposure to humidity, power surges, lightning, structural failures surrounding the appliance and other acts of God.
- > Products whose serial number has been altered/damaged/tampered with. In no case shall Forno be held liable or responsible for damage to surrounding property, including furniture, cabinetry, flooring, panels, and other structures surrounding the Product. Forno is neither liable nor responsible for the Product if it is located in a remote area or an area where certified trained technicians are not reasonably available. Purchaser must bear any transportation and delivery costs of the Product to the nearest Authorized Service Center or the additional travel expenses of a certified trained technician

THERE ARE NO EXPRESS WARRANTIES OTHER THAN THOSE LISTED AND DESCRIBED ABOVE, AND NO WARRANTIES, EITHER EXPRESS OR IMPLIED, INCLUDING, BUT NOT LIMITED TO, ANY IMPLIED WARRANTIES OF MERCHANTABILITY OR FITNESS FOR A PARTICULAR PURPOSE THAT SHALL APPLY AFTER THE EXPRESS WARRANTY PERIODS STATED ABOVE, AND NO OTHER EXPRESS WARRANTY OR GUARANTEE GIVEN BY ANY PERSON, FIRM OR CORPORATION WITH RESPECT TO THIS PRODUCT SHALL BE BINDING ON FORNO. FORNO SHALL NOT BE LIABLE FOR LOSS OF REVENUE OR PROFITS, FAILURE TO REALIZE SAVINGS OR OTHER BENEFITS, TIME AWAY FROM WORK, MEALS, LOSS OF FOOD OR BEVERAGES, TRAVELING OR HOTEL EXPENSES, EXPENSES TO RENT OR PURCHASE APPLIANCES, REMODELING/CONSTRUCTION EXPENSES IN EXCESS OF DIRECT DAMAGES WHICH ARE UNDENIABLY CAUSED EXCLUSIVELY BY FORNO OR ANY OTHER SPECIAL, INCIDENTAL OR CONSEQUENTIAL DAMAGES CAUSED BY THE USE, MISUSE OR INABILITY TO USE THIS PRODUCT, REGARDLESS OF THE LEGAL THEORY ON WHICH THE CLAIM IS BASED, AND EVEN IF FORNO HAS BEEN ADVISED OF THE POSSIBILITY OF SUCH DAMAGES. NOR SHALL RECOVERY OF ANY KIND AGAINST FORNO BE GREATER IN AMOUNT THAN THE PURCHASE PRICE OF THE PRODUCT SOLD BY FORNO AND CAUSING THE ALLEGED DAMAGE. WITHOUT PREJUDICE TO THE FOREGOING, PURCHASER ASSUMES ALL RISK AND LIABILITY FOR LOSS, DAMAGE OR INJURY TO PURCHASER AND PURCHASER'S PROPERTY AND TO OTHERS AND THEIR PROPERTY ARISING FROM THE USE, MISUSE, OR INABILITY TO USE THIS PRODUCT SOLD BY FORNO THAT IS NOT A DIRECT RESULT OF NEGLIGENCE ON THE PART OF FORNO THIS LIMITED WARRANTY SHALL NOT EXTEND TO ANYONE OTHER THAN THE ORIGINAL PURCHASER OF THIS PRODUCT, IS NON-TRANSFERABLE, AND STATES YOUR EXCLUSIVE REMEDY.

WARNING



1. Before servicing or cleaning unit, unplug or disconnect the rangehood from the power supply.
 2. TO REDUCE THE RISK OF A RANGE TOP GREASE FIRE:
 - A. Never leave surface units unattended at high settings. Boilovers cause smoking and greasy spillovers that may ignite. Heat oils slowly on low or medium settings.
 - B. Always turn rangehood ON when cooking at high heat or when flambeing food (i.e. Crepes Suzette, Cherries Jubilee, Peppercorn Beef Flambe’).
 - C. Clean ventilation fans frequently. Grease should not be allowed to accumulate on fan or filter.
 - D. Use a pan of the proper size. Always use cookware of an appropriate size for the element.
 3. TO REDUCE THE RISK OF INJURY TO PERSONS IN THE EVENT OF A RANGE TOP GREASE FIRE, TAKE THE FOLLOWING PRECAUTIONS:
 - A. SMOTHER FLAMES with a tight-fitting lid, cookie sheet, or metal tray, then turn off the burner. BE CAREFUL TO PREVENT BURNS. If the flames do not go out immediately, EVACUATE AND CALL THE FIRE DEPARTMENT.
 - B. NEVER PICK UP A FLAMING PAN – You may get burned.
 - C. DO NOT USE WATER, including wet dishcloths or towels – a violent steam explosion will result.
 - D. Use an extinguisher ONLY if:
 - 1) You know you have a Class ABC extinguisher, and you already know how to operate it.
 - 2) The fire is small and contained in the area where it started.
 - 3) The fire department is being called.
 - 4) You can fight the fire with your back to an exit.
 4. To reduce the risk of fire or electric shock, do not use this fan with any solid-state speed Control device.
 5. To provide protection against electric shock, connect to properly grounded outlets only.
- CAUTION:** For general ventilation use only. Do not use to exhaust hazardous or explosive materials and vapours.

FEATURES

The range hood is designed for a designer's kitchen with the range hood installed directly above cooking appliances against a wall. This hood is a focal point and show piece in your kitchen, while providing you with the benefit of extracting the grease and smoke from your cooking.

Please refer to the instructions below

INSTALLATION & USE

WARNING

1. TO REDUCE THE RISK OF FIRE, USE ONLY METAL DUCTWORK.
2. GROUNDING INSTRUCTIONS

This appliance must be grounded. In the event of an electrical short circuit, grounding reduces the risk of electric shock by providing an escape wire for the electric current. This appliance is equipped with a cord with grounding wire and grounding plug. The plug must be plugged into an outlet that is properly installed and grounded.

WARNING – Improper grounding can result in a risk of electric shock.

Consult a qualified electrician if the grounding instructions are not completely understood, or if there is doubt as to whether the appliance is properly grounded.

Do not use an extension cord. If the power supply cord is too short, have a qualified electrician install an outlet near the appliance.

CAUTION:

- To reduce risk of fire and to properly exhaust air, be sure to duct air outside
- Do not vent exhaust air into spaces within walls or ceilings or into attics, crawl spaces, or garages.

NOTE: Carefully remove protective film (if any) from the exterior surfaces of the hood prior to final installation.

DESCRIPTION / CONNECTION

This range hood should be mounted directly to the support frame mounting, with the support frame flue secured to the ceiling joist or framework.

- Ductwork needs to be installed at the top of the unit where the motors exhaust.

- Duct runs should be as short as possible.
- Avoid the use of elbows.
- Use duct tape on all joints.
- Do not use a duct smaller than the exhaust on the hood.

LOCATION PREPARATION

The installation in this manual is intended for qualified installers, service technicians or persons with a similar qualified background. DO NOT attempt to install this appliance yourself. Injury could result from installing the unit due to lack of appropriate electrical and technical background.

All electrical wiring must be properly installed, insulated and grounded. Excessive accumulated grease in old duct work should be cleaned out or duct work should be replaced if necessary, to avoid the possibility of a grease fire. Check all joints on duct work to ensure proper connection, and all joints should be properly taped.

Note 1: On stainless steel hoods, carefully remove the plastic protective film from all exterior surfaces of the hood and chimney prior to final installation.

Note 2: At least two people will be required to mount the hood.

MOUNTING HEIGHTS & CLEARANCE

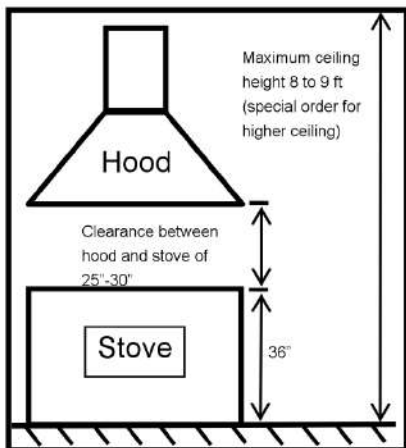
The minimum mounting height between range top to hood bottom should be no less than 25"

The maximum mounting height should be no higher than 30"

It is important to install the hood at the proper mounting height. Hoods mounted too low could result in heat damage and fire hazard; while hoods mounted too high will be hard to reach and would lose their performance and efficiency.

If available, also refer to the range manufacturer's height clearance requirements and the recommended hood mounting height above the range.

* Maximum ceiling clearance of 106.5" at 27.5" hood mounting height from stove (may vary for different models)



Ductwork

NEVER exhaust air or terminate duct work into spaces between walls, crawl spaces, ceiling, attics or garages.

All exhaust must be ducted to the outside.

Use metal ductwork only.

Fasten all connections with sheet metal screws and tape all joints with certified Silver Tape or Duct Tape.

Duct Run Calculation:

Maximum run 6" or 3-1/4 x 10" duct	100FT
Deduct:	
each 90 Elbow used	15FT
each 45 Elbow used	9FT
each 6" to 3-1/4 x 10"	1FT
transition used	
each 3-1/4 x 10" to 6"	5FT
transition used	
Side Wall Cap w/ damper	30FT
Roof Cap	30FT

e.g. – 1 roof cap, 2x90 elbows, 1x45 elbow

= 30' + 30' + 9'=69' used,

31' available for straight duct runs

DUCT SIZE

A minimum 6" round duct must be used to maintain maximum airflow efficiency.

Flexible ducts are provided for convenience, always use rigid type metal ducts if available to maximizing airflow.

Also use calculation (on left) to determine total available duct run when using elbows, transitions and caps.

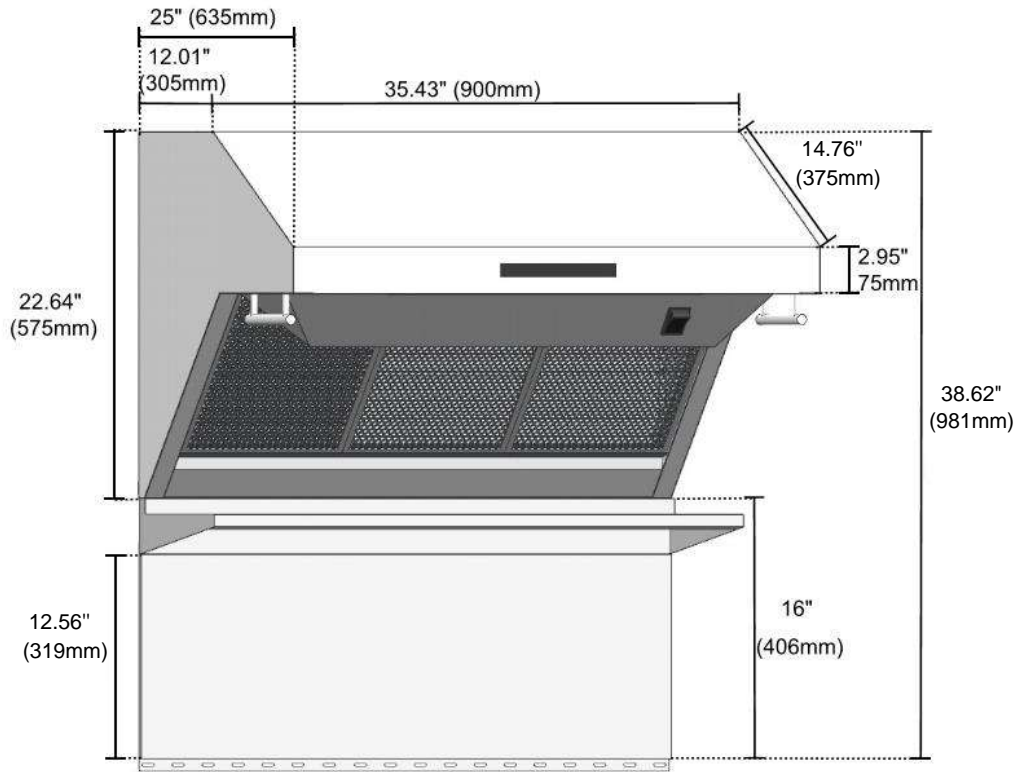
ALWAYS, when possible, reduce the number of transitions and turns. If a long duct is required, increase duct size from 6" to 7 or 8".

If a reducer is used, install a long reducer instead of pancake reducer. Reduce duct size as far away from the opening as possible.

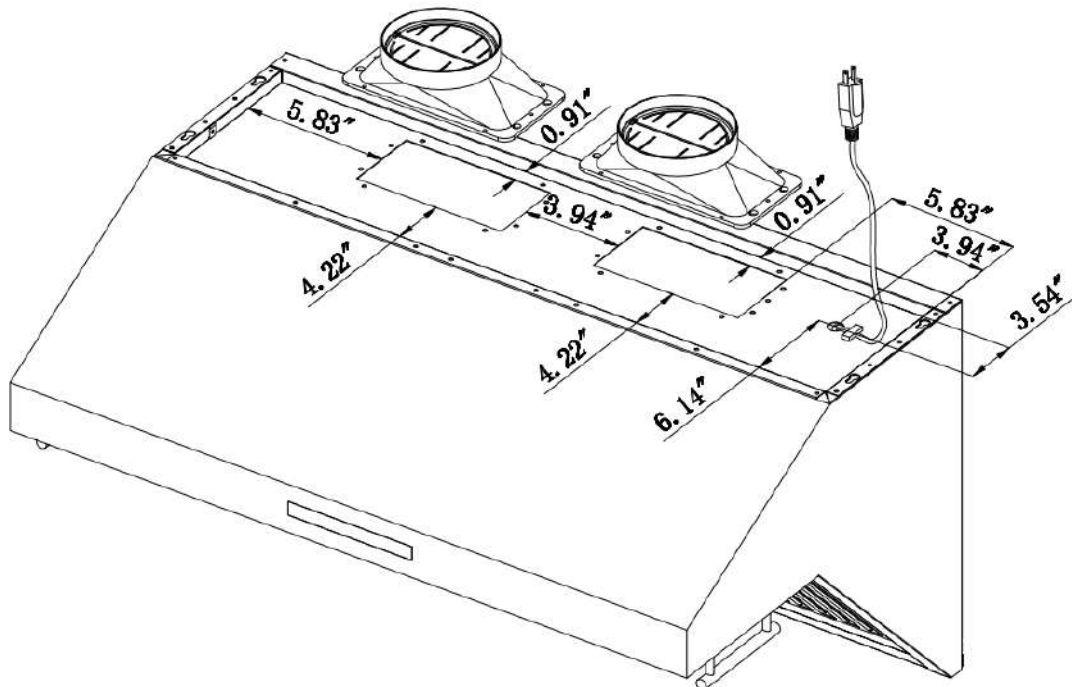
If turns or transitions are required: Install as far away from opening and as far apart, between 2, as possible.

DIMENSIONS OF THE PRODUCT

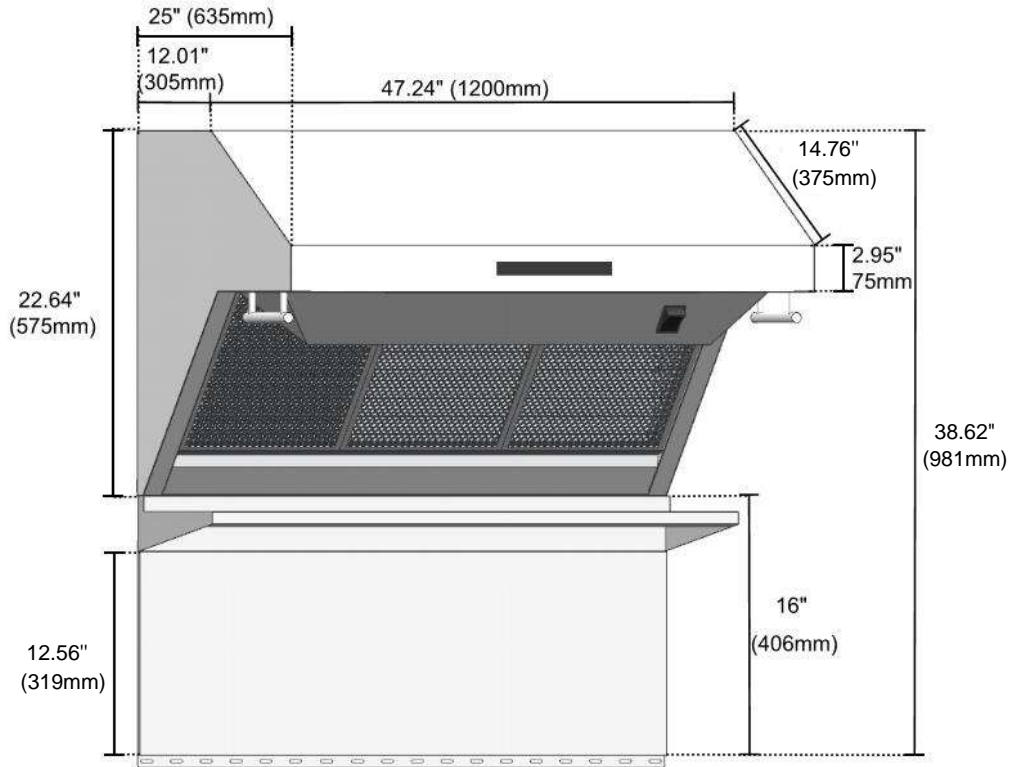
FRHWM5029-36HB - View from the front



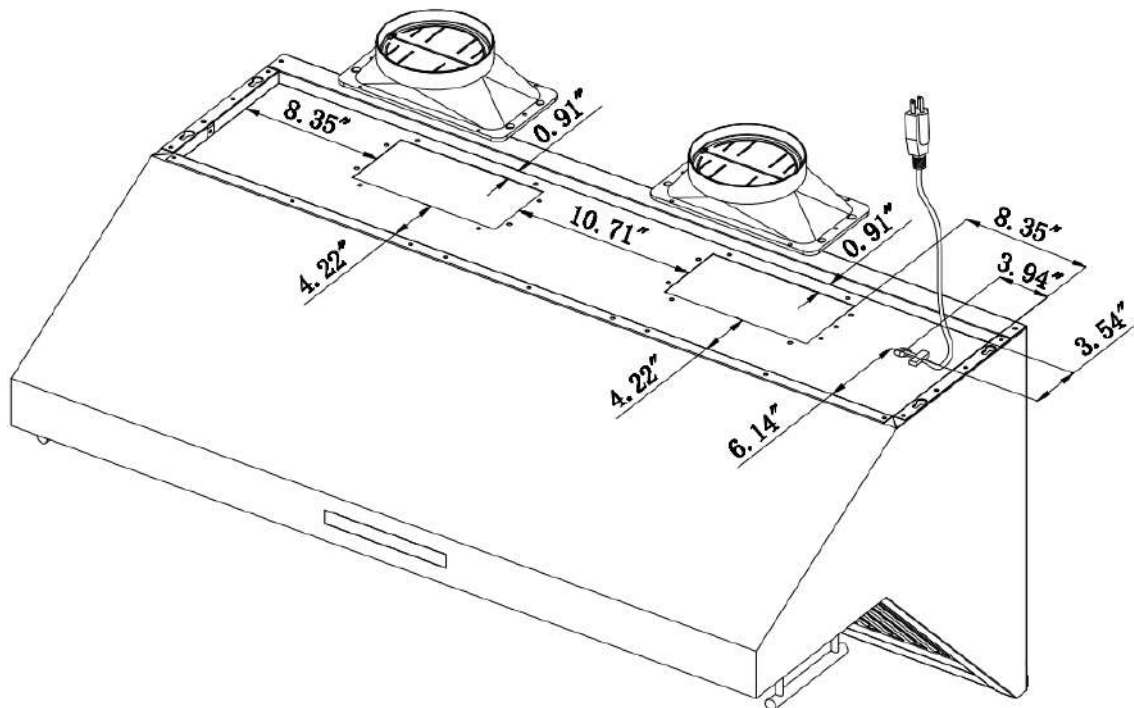
FRHWM5029-36 - View from the top (exhaust & power cord location)



FRHWM5029-48HB – View from the front














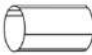







FRHWM5029-48HB - View from the top (exhaust & power cord location)



INSTALLATION PREPARATION

- * Please plug in and check that all functions are working
- * Remove stainless steel baffle filter and grease tray.

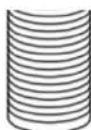
TOOLS AND MATERIALS REQUIRED (Not supplied)

	Pencil and tape measure		Duct tape
	Wire cutter/stripper		Wrench
	Hammer		Keyhole Saw
	Level		Safety glasses
	Step ladder		Electric or battery-operated drill and 1/8", 3/8" bits
	Wire nuts		10" round metal duct, length to suit installation
	Pliers		Metal Snips
	Saber saw or Sawzall		Flashlight
	Screwdrivers		Strain relief for joint cover.
	120V 60Hz. 15 or 20 Amp, 2-wire with ground. Properly grounded branch circuit.		

ACCESSORIES PROVIDED



6" round outlet adapter
with damper(2x)



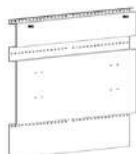
6" round pipe(2x)



Warming shelf



Infrared Heat light(2x)



Mounting bracket



Back splash

SCREWS PROVIDED



M3.5x30mm self-tapping screws
(18x)



M4x12mm self-tapping screws (4x)



M4x10mm screws with flat
washers(2x)



M4x8mm self-tapping screws(10x)

INSTALLATION INSTRUCTIONS

- Use a level to draw the cooktop centerline location. Draw the line to ceiling height.
- Use a level to draw the cooktop surface location.

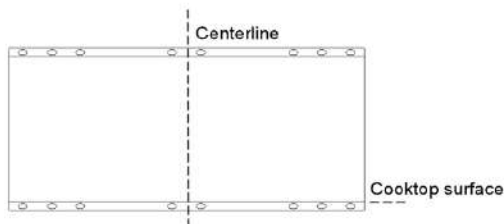
INSTALL BACKSPLASH

Remove packaging

Place backsplash against the wall and match the centerline and cooktop surface

Mount the backsplash to the wall through the holes at top and bottom by using M3.5x30mm self-tapping screws (2x at top, 2x at bottom)

NOTE: Make sure screws are installed in vertical studs as much as possible



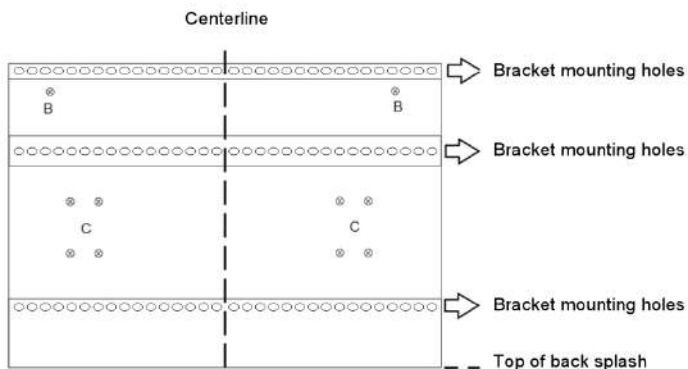
Install mounting bracket onto the wall

Remove packaging

Place mounting bracket against the wall, line up with the centerline and rest on top of backsplash.

Use M3.5x30mm self-tapping screws to fix bracket to the wall through the holes at top, middle, bottom of mounting bracket (4x at top, 4x in middle, 4x at bottom)

NOTE: Make sure screws are installed in vertical studs as much as possible

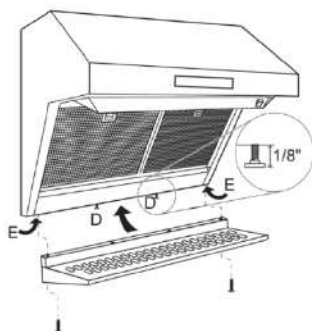


INSTALL WARMING SHELF TO THE HOOD

- Install 2x M4x8mm self-tapping screws into "D" holes at the bottom of the hood flange, leaving a gap of 1/8".
- Remove shelf packaging and protective film (if any).
- Attach the warming shelf to the bottom of hood by inserting the top of the self-tapping screws into the keyhole slots on the top of the shelf. Slide the shelf towards the left to lock it into place.

- Tighten 2x M4x10mm screws & washers through the bottom of the shelf into the hood flange in the "E"

position



INSTALL HOOD ONTO WALL

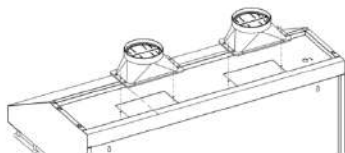
SKIP THIS STEP IF INSTALLING BENEATH A SOFFIT OR CABINET

Install outlet adapter onto top of hood

IMPORTANT: Check that the damper moves freely

- Place the outlet adapter (2x) over the hood exhaust and secure with 4x M4x12mm self-tapping screws

- Use duct tape to seal the connection. Check to make sure the damper moves freely.



Hang hood on mounting bracket

Lift the hood and hold it close to the mounting bracket. Line up mounting holes in "B" position.

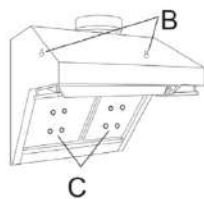
Make sure the screw head on the bracket is engaging into the keyhole slots on the back of the hood.

Slide down the hood to make it hang correctly on the bracket.

Tighten the screws in the "B" position.

Make sure the hood is leveled and centered. 8 holes in the "C" position must line up with bracket holes properly.

Install 8xM4x8mm self-tapping screws through the back of the hood in the "C" positions and tighten to the mounting bracket.



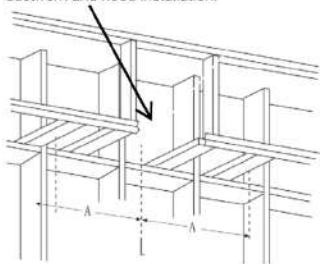
INSTALL HOOD TO SOFFIT OR BENEATH CABINETS

SKIP THIS STEP IF USING WALL MOUNTING METHOD

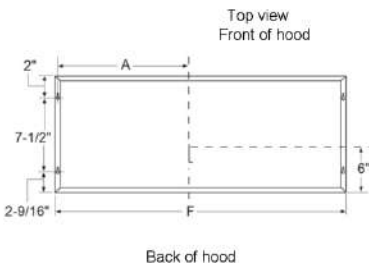
When necessary, the hood may be installed so that it is supported by the soffit

- The soffit should be constructed with 2x4's
- Determine the installation location on the wall.
- Continue the centerline forward on the bottom of the cabinet or soffit
- The opening above the hood should allow for the 6" round duct and clearance to slide the hood back against the wall.
- The 2x4 studs must be located as shown in the chart, Dim. A. to accept mounting screws

Require 10-1/2" minimum opening for ductwork and hood installation.



	"A" centerline to stud and keyhole slots	"F" hood width at the top
48"	23-9/16"	47-15-16"
36"	17-9/16"	35-15/16"
30"	14-9/16"	29-15/16"



- Drill 1/8" pilot holes into the studs at the locations shown in the top view illustration.

IMPORTANT: Soffit framing must be capable of supporting up to 150lbs.

Install outlet adapter onto top of hood

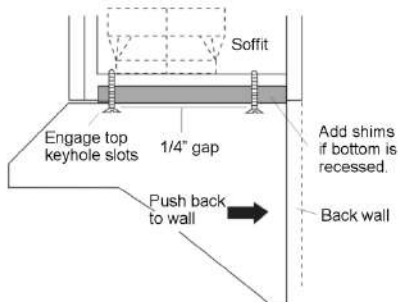
IMPORTANT: Check that damper moves freely

- Place the outlet adapter (2x) over the hood exhaust and secure with 4x M4x12mm self-tapping screws
- Use duct tape to seal the connection. Check to be sure the damper moves freely.

Mount Hood onto Soffit or Cabinet

Note: If mounting to the underside of a cabinet with a recessed bottom, install shims to fill the gap

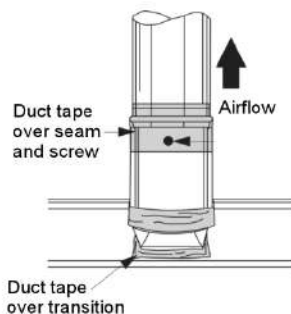
- Drive mounting screws into the studs until they protrude by 1/4". The 1/4" gap will provide clearance to engage the keyhole slots in the top of the hood.
- Lift hood to installation position.
- Lift hood onto mounting screws. Slide back against the rear wall.
- Tighten mounting screws.



IMPORTANT: For additional support and to minimize vibration during operation, the hood must be secured to the back wall. Use wall anchors to fasten bottom back of hood to the wall.

CONNECT DUCTWORK

- Install ductwork, making connections in direction of airflow as illustrated
- Wrap all duct joints with duct tape for an airtight seal.
- Use duct tape to seal the flange connection. Reach inside the hood and push the damper up to be sure it moves freely.



IMPORTANT: Avoid over-tightening the duct on the damper. Excessive tightness can prevent the damper from opening properly and may cause the motors to malfunction. It is essential to ensure that the damper moves freely before completing the installation. Please take the time to verify its unrestricted movement for optimal functionality.

INSTALL FILTERS

- Reassemble grease tray and hybrid filters inside the hood.

Electrical Connection

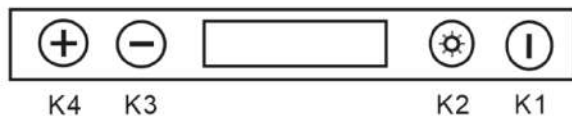
* Electrical wiring must be done by a qualified person(s) in accordance with all applicable codes and standards.

Turn off electrical power at service entrance before wiring.

- * If the supply cord is damaged, it must be replaced by the manufacturer, its service agent or similarly qualified persons in order to avoid a hazard.
- * Do not use the plug and an extension cord other than the ones initially supplied with the hood.
- * This hood must be ground. Do not remove ground prong from the plug.

To prevent the risk of fire, electric shock, or injury to persons, or for cleaning and maintenance such as lubrication, unplug or disconnect the appliance from the power supply before servicing.

OPERATIONS



K1: Power button

When the range hood is on, press the K1 button to enter Power-Off Delay Timer, the Timer working time is 15 minutes, the range hood will turn off when the time reaches 0. If you press the K1 button again, the range hood will turn off.

When the range hood is off, press and hold the K1 button for 3 seconds to enter the clock adjustment mode, press the K4 increase button and the K3 decrease button to adjust the hour, press the K1 button again to adjust the minutes, also press the K4 increase button and the K3 decrease button to adjust minutes.

K2: Light button

Press this button to turn on the light, and once again to turn off light.

K3, K4: Decrease button and Increase button

Press these two buttons to adjust the speed when the range hood is on and to adjust the time when the range hood is in clock mode.

MAINTENANCE & CLEANING

Surface Maintenance:

Clean periodically with hot soapy water and clean cotton cloth. Do not use corrosive or abrasive detergent (e.g. comet powder scrub, EZ-Off oven cleaner), or steel wool/scoring pads which will scratch and damage surface.

For heavier soil, use liquid degreaser such as 'Formula 409' or 'Fantastic' brand cleaner.

After cleaning, you may use non-abrasive stainless steel polish/cleaners such as 3M or ZEP, to polish and buff out the stainless luster and grain. Always scrub lightly, with clean cotton cloth, and with the grain.

Stainless Steel Hybrid Filter;

The factory filters are intended to filter out residue and grease from cooking. They do not need to be replaced on a regular basis but they must be kept clean.

Filters should be cleaned after every 30 hours of use.

Remove and clean by hand in a basin of hot soapy water. The filter is also dishwasher safe.

If heavily soiled, spray 'Formula 409' or equivalent degreasing detergent and leave to soak.

Dry filters and re-install before using hood.

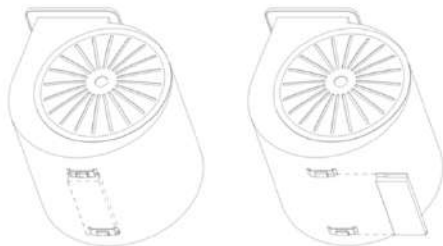
Oil cup

The oil cup should be cleaned often according to the amount of oil in the cup.

Clean oil cup by hand in a basin of hot soapy water.

If heavily soiled, spray 'Formula 409' or equivalent degreasing detergent and leave to soak.

Slide oil cup out/in from the slot at the bottom of the block



Hood Cleaning

The saturation of greasy residue in the blower and filters may cause increased inflammability. Keep unit clean and free of grease and residue build-up at all times to prevent possible fires.

Filters must be cleaned periodically and free from accumulation of cooking residue (see cleaning instructions inside). Old and worn filters must be replaced immediately. Do not operate blowers when filters are removed. Never disassemble parts for cleaning without following proper instructions. It is recommended that disassembly be performed by qualified personnel only. Call our service centre for removal instructions.

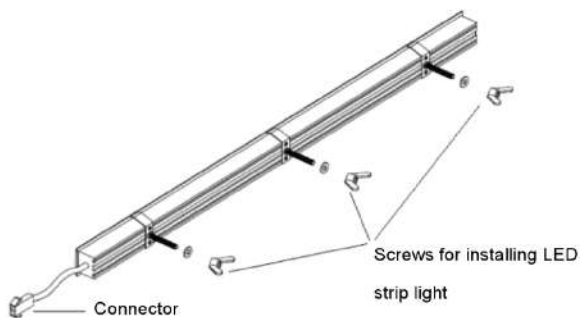
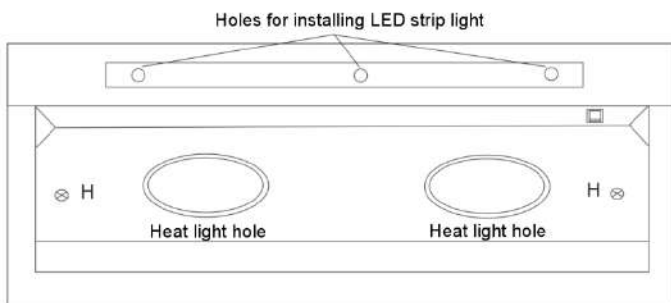
Stainless steel is one of the easiest materials to keep clean. Occasional care will help preserve its fine appearance.

Cleaning tips:

- * Hot water with soap or detergent is all that is usually needed.
- * Rinse with clean water. Wipe dry with a clean, soft cloth to avoid water marks.
- * For persistent discoloration or deposits, use a non-abrasive household cleanser or stainless steel polishing powder with a small amount of water and a soft cloth.
- * For stubborn stains use a plastic scouring pad or soft bristle brush together with cleanser and water. Rub lightly in the direction of polishing lines or the "grain" of the stainless finish. Avoid using too much pressure as this may damage the surface.
- * Do not allow deposits to sit for long periods of time.
- * Do not use ordinary steel wool or steel brushes. Small bits of steel may adhere to the surface causing rust.
- * Do not allow salt solutions, disinfectants, bleaches, or cleaning compounds to remain in contact with stainless steel for extended periods. Many of these compounds contain chemicals that may be harmful. Rinse with water after exposure and wipe dry with a clean cloth.
- * Painted surfaces should be cleaned with warm water and mild detergent only.

WARNING

Please ensure that lights have been switched off for some time and the power source has been disconnected before replacing any bulbs. Please be aware that the light will retain heat for a short period of time after being switched off.



How to replace LED strip light

Step 1: Remove light panel by removing screws in "H" location

Note: Please take extra care to make sure you do not damage the range hood

Step 2: Turn the three screws at the back of the LED light counterclockwise

Step 3: Remove the LED light through the connector

Replace the new LED strip light with connector and install three screws clockwise, attach light panel to the hood with screws in the "H" location.

How to install heat light

Place the light into the light holder, turn clockwise to tighten heat light. Turn the heat light counterclockwise to disassemble

WARNING

CAUTION-HOT SURFACE

Heating lamp, rated 120 VAC,220W

Disconnected from the supply source before installing the light

CAUTION: DO NOT TOUCH SURFACE UNITS OR AREAS NEAR UNITS – Surface units may be hot even though they are dark in colour. Areas near surface units may become hot enough to cause burns. During and after use, do not touch, or let clothing or other flammable materials touch surface units or areas near units until they have had sufficient time to cool. Among these areas are (identification of areas – for example, the cook-top and surfaces facing the cook-top).

TROUBLESHOOTING

My hood is operating, but the air is moving slower than normal.

Check the filter for buildup and clean or replace it if needed. If the difficulty persists, check for obstructions in the ductwork. A common obstruction is buildup in the roof or wall cap, such as: bird nests or other debris.

What is make-up air?

When the range hood ventilates the air out of the room, the air vented must be replaced, this is called make-up air. We do not currently provide a make-up air unit. NOTE: Always consult any applicable building codes in your area regarding minimum and maximum air flow rates. Certain states may require additional items such as make-up air for larger CFM range hoods (typically over 300 CFM).

My range hood will not operate.

1. Check that there is power to the range hood. The most common issue is that the circuit breaker is off, or the fuse has blown.
2. Make sure the speed has been selected at the range hood controls.
3. Turn off power to the range hood and check that all the wires are properly connected.

My range hood is making a rattling noise.

This is probably attributed to one of the following:

1. The motor is loose – Turn off the power and remove the filter and check that all screws are secure and tight around the motor.
2. The duct work connection is loose – Turn off the power to the unit and check that the ductwork connection to the pipe is tight. Add duct tape if necessary.

My range hood does not have power.

1. Check electrical connections.
2. Check that all connections to the circuit board are secure.
3. If the problem persists, please contact Forno Technical Support.

My range hood is not pulling.

- Was the unit plugged in and was the fan checked before installation?
- What distance is the hood mounted above the cook top?
- Is the range hood width the correct size for the cook top?
- Does the hood have enough BTU output in relationship to either their gas or electric stove cook top?
 - BTU output per burner/100 - for gas
 - Wattage output per burner/10 - for electric

- Are the baffle filters or mesh filters installed correctly? When were they last cleaned?
- Is the ducting clear?
- Is the damper opening properly once the hood is turned on?
- Is there air coming off the top of the hood?
- Is there air coming out of the upper chimney section?
- When tissue is placed on the baffle filters under the hood, does it hold the tissue?
- How many elbows and how long is the ducting run?
 - Should be no more than 2-3 elbows and no more than a 40-foot run to exit, for every elbow subtract 5 feet



Hotte de cuisinière manuel d'instructions

FRHWM5029-36/48HB



IMPORTANT:

VEUILLEZ LIRE ET CONVERSER CES INSTRUCTIONS

AVIS :

Installateur : Laissez ce guide au propriétaire

Propriétaire : Conservez ce guide pour consultation ultérieure

HOTTE DE CUISINIÈRE PROFESSIONNELLE EN ACIER INOXYDABLE

SERVICE À LA CLIENTÈLE

Merci d'avoir acheté un produit **FORNO**. Veuillez lire le manuel d'utilisation en entier avant la première utilisation. Que vous soyez un utilisateur occasionnel ou averti, vous aurez avantage à vous familiariser avec les mesures de sécurité, les caractéristiques, le fonctionnement et les recommandations d'entretien et de nettoyage de votre appareil.

Le numéro de modèle et le numéro de série sont indiqués à l'intérieur de l'appareil. Pour fins de garantie, vous aurez besoin du numéro de série, de la date d'achat et d'une copie de votre preuve d'achat. Notez l'information ci-dessous pour référence ultérieure.

INFORMATION À FOURNIR POUR TOUTE RÉPARATION

Numéro de modèle :

Utilisez ces numéros pour toute correspondance ou pour tout appel au service des réparations concernant votre appareil.

Numéro de série :

Si vous avez reçu un appareil endommagé, communiquez immédiatement **FORNO**.

Date d'achat :

Économisez temps et argent. Avant tout appel de réparation, vérifiez le guide de dépannage. Vous y trouverez une liste des causes de problèmes mineurs que vous pouvez réparer vous-même.

Adresse et numéro de téléphone où l'appareil a été acheté :

POUR UNE RÉPARATION AU CANADA & AUX ÉTATS-UNIS :

Conservez ce manuel d'instruction à portée de main si vous avez des doutes. Vous pouvez retrouver tous les infomation en ligne www.forno.ca.

Pour plus de précision ou si vous avez besoin d'aide, veuillez communiquer avec notre service à la clientèle à : info@forno.ca

En cas de problème, veuillez contacter le service client FORNO. Veuillez noter que le "*troubleshooting*" avec un représentant du service à la clientèle sera nécessaire avant de pouvoir envoyer un technicien. Tous les travaux sous garantie doivent être autorisés par le service client FORNO. Tous nos prestataires de services agréés sont soigneusement sélectionnés et rigoureusement formés par FORNO.

GARANTIE

Ce que couvre cette garantie limitée :

La couverture de garantie fournie par Forno dans cette déclaration s'applique exclusivement à l'appareil ("Produit") vendu au consommateur ("Acheteur") par un revendeur/distributeur/détaillant agréé Forno, acheté et installé aux États-Unis ou au Canada, et qui est toujours resté dans l'original pays d'achat (États-Unis ou Canada). La couverture de la garantie est activée à la date de l'achat au détail original et a une durée de deux(2) ans.

La couverture de la garantie n'est pas transférable. En cas de remplacement de pièces ou de l'ensemble du produit, le produit (ou les pièces) de remplacement assumera le reste de la garantie d'origine activée avec la preuve d'achat d'origine. Cette garantie ne sera pas prolongée en ce qui concerne un tel remplacement. Forno réparera ou remplacera toute composante/pièce qui tombe en panne ou s'avère défectueuse en raison de matériaux et/ou de fabrication dans les 2 ans suivant la date de l'achat initial au détail et dans des conditions d'habitation ordinaire, usage non commercial. La réparation ou le remplacement sera gratuit, y compris la main-d'œuvre aux tarifs standard et l'expédition dépenses. L'acheteur est responsable de rendre le produit raisonnablement accessible pour le service. Service de réparation doit être effectuée par une société de service agréée Forno pendant les heures normales de travail.

IMPORTANT

Conservez la preuve d'achat originale pour établir la période de garantie. La responsabilité de Forno pour toute réclamation de quelque nature que ce soit, avec en ce qui concerne les biens et/ou services fournis, ne doit en aucun cas dépasser la valeur des biens ou services ou de la partie qui a donné lieu à la réclamation.

Garantie cosmétique de 30 jours

L'Acheteur doit inspecter le produit au moment de la livraison. Forno garantit que le produit est exempté de défauts de fabrication dans les matériaux et la fabrication pendant une période de trente (30) jours à compter de la date de vente au détail d'origine l'achat du Produit.

Cette couverture comprend :

- Taches de peinture
- Écorchures
- Défauts de finition macroscopiques

La garantie cosmétique ne couvre PAS :

Problèmes résultant d'un transport, d'une manipulation et/ou d'une installation incorrecte (par exemple : bosses, cassés, déformés ou structures déformés ou composants, composants en verre fissurés ou autrement endommagés) ;

Légères variations de couleur sur les composants peints/émaillés ;

Les différences causées par l'éclairage naturel ou artificiel, l'emplacement ou d'autres facteurs analogues ;
Taches/corrosion/décoloration causées par des substances externes et/ou des facteurs environnementaux ;

Coûts de main-d'œuvre, présentoir, plancher, stock B, appareils prêts à l'emploi, « tels quels » et unités de démonstration.

Comment recevoir le service

Pour bénéficier des services de garantie, l'acheteur doit contacter le service d'assistance de Forno afin de déterminer le problème et les procédures de service requises. Le « Troubleshooting » avec un représentant du service à la clientèle sera nécessaire avant d'aller de l'avant avec le service. Numéro de modèle, numéro de série et date de vente au détail d'origine l'achat sera demandé.

Exclusions de garantie : Ce qui n'est pas couvert.

> L'utilisation du produit dans tout lieu non résidentiel, application commerciale. Utilisation du Produit pour autre chose que son but visé.

> Services de réparation fournis par toute personne autre qu'un Agence de service autorisée Forno.

> Services de dommages ou de réparation pour corriger les services fournis par des parties non autorisées ou l'utilisation de pièces non autorisées.

> Installation non conforme codes d'incendie locaux/état/ville/comté, codes électriques, gaz codes, codes de plomberie, codes du bâtiment, lois ou règlements.

> Défauts ou dommages dus à un stockage inapproprié du Produit.

> Défauts, dommages ou pièces manquantes sur les produits vendus hors de l'emballage d'origine ou des présentoirs. Appels de service ou réparations pour corriger une erreur l'installation du Produit et/ou des accessoires associés.

> Remplacement des pièces/appels de service pour se connecter, convertir ou autrement réparer le câblage électrique et/ou conduite de gaz afin d'utiliser correctement le produit.

> Remplacement des pièces/appels de service à fournir instructions et informations sur l'utilisation du Produit.

> Remplacement des pièces/appels de service pour corriger les problèmes résultant de l'utilisation du produit d'une manière autre que ce qui est normal et habituel pour un usage résidentiel.

> Remplacement des pièces/appels de service en raison de l'usure et déchirure de composants tels que joints, boutons, casserole supports, étagères, paniers à couverts, boutons, tactiles présentoirs, plateaux en vitrocéramique rayés ou cassés.

> Remplacement de pièces/appels de service en cas de manque de/mauvais entretien, y compris, mais sans s'y limiter : accumulation de résidus, taches, rayures, décoloration, corrosion.

> Défauts et dommages résultant d'accidents, altération, mauvaise utilisation, abus ou mauvaise installation.

> Défauts et dommages résultant du Produit transport, logistique et manutention. Inspection du produit doit être fait au moment de la livraison. Suivant réception et inspection, le concessionnaire vendeur/la livraison l'entreprise doit être informée de tout problème découlant de manutention, transport et logistique.

> Défauts et dommages résultant de forces externes hors du contrôle de Forno, y compris mais non limité au vent, à la pluie, au sable, aux incendies, aux inondations, aux coulées de boue, des températures glaciales, une humidité excessive ou exposition prolongée à l'humidité, aux surtensions, la foudre, les défaillances structurelles entourant l'appareil et d'autres actes de Dieu.

> Produits dont le numéro de série a été altéré/endommagé. En aucun cas Forno est tenu responsable des dommages causés à propriété environnante, y compris les meubles, les armoires, revêtements de sol, panneaux et autres structures entourant le Produit. Forno n'est pas tenu responsable des Produits s'il est situé dans une zone éloignée ou une zone où les techniciens formés certifiés ne sont pas raisonnablement disponibles. L'acheteur doit supporter tout transport et les frais de livraison du Produit jusqu'au centre de service autorisé ou les frais de déplacement supplémentaires d'un technicien certifié.

IL N'EXISTE AUCUNE GARANTIE EXPRESSE AUTRE QUE CELLES ÉNUMÉRÉES ET DÉCRITES CI-DESSUS, ET AUCUNE GARANTIES, EXPRESSES OU IMPLICITES, Y COMPRIS, MAIS SANS S'Y LIMITER, TOUTE GARANTIE IMPLICITE GARANTIES DE QUALITÉ MARCHANDE OU D'ADÉQUATION À UN USAGE PARTICULIER QUI S'APPLIQUERONT APRÈS LES PÉRIODES DE GARANTIE EXPRESSE INDIQUÉES CI-DESSUS, ET AUCUNE AUTRE GARANTIE EXPRESSE OU GARANTIE DONNÉE PAR TOUTE PERSONNE, ENTREPRISE OU SOCIÉTÉ CONCERNANT CE PRODUIT SERA OBLIGATOIRE POUR FORNO. FORNO NE SERA PAS RESPONSABLE DE LA PERTE DE REVENUS OU DE PROFITS, DÉFAUT DE RÉALISER DES ÉCONOMIES OU D'AUTRES AVANTAGES, TEMPS D'ABSENCE DU TRAVAIL, REPAS, PERTE DE NOURRITURE OU BOISSONS, FRAIS DE VOYAGE OU D'HOTEL, FRAIS DE LOCATION OU D'ACHAT D'APPAREILS, DÉPENSES DE REMODELAGE/CONSTRUCTION SUPÉRIEURES AUX DOMMAGES DIRECTS INDÉNIABLES CAUSÉ EXCLUSIVEMENT PAR FORNO OU TOUT AUTRE SPÉCIAL, ACCESSOIRE OU CONSÉCUTIF LES DOMMAGES CAUSÉS PAR L'UTILISATION, LA MAUVAISE UTILISATION OU L'INCAPACITÉ D'UTILISER CE PRODUIT, INDÉPENDAMMENT DU THÉORIE JURIDIQUE SUR LAQUELLE LA RÉCLAMATION EST BASÉE, ET MÊME SI FORNO A ÉTÉ AVISÉ DE LA POSSIBILITÉ DE TELS DOMMAGES. DE PLUS, LA RÉCUPÉRATION DE QUELQUE NATURE QUE CE SOIT CONTRE FORNO NE SERA PLUS GRANDE D'UN MONTANT QUE LE PRIX D'ACHAT DU PRODUIT VENDU PAR FORNO ET CAUSANT LE DOMMAGES ALLÉGUÉS. SANS PRÉJUDICE DE CE QUI PRÉCÈDE, L'ACHETEUR ASSUME TOUS LES RISQUES ET RESPONSABILITÉ POUR PERTE, DOMMAGE OU BLESSURE À L'ACHETEUR ET À LA PROPRIÉTÉ DE L'ACHETEUR ET À AUTRES ET LEURS PROPRIÉTÉS DÉCOULANT DE L'UTILISATION, DE LA MAUVAISE UTILISATION OU DE L'INCAPACITÉ À UTILISER CE PRODUIT VENDU PAR FORNO QUI N'EST PAS LE RÉSULTAT DIRECT D'UNE NÉGLIGENCE DE LA PART DE FORNO LA GARANTIE LIMITÉE NE S'ÉTENDRA À PERSONNE AUTRE QUE L'ACHETEUR INITIAL DE CE PRODUIT N'EST PAS TRANSFÉRABLE ET ÉNONCE VOTRE RECOURS EXCLUSIF.

AVERTISSEMENT



1. Avant de procéder à l'entretien ou au nettoyage de l'appareil, débranchez ou coupez l'alimentation électrique de la hotte.

2. POUR RÉDUIRE LE RISQUE D'UN FEU DE GRAISSE DE LA HOTTE:

A. Ne laissez jamais les éléments de surface sans surveillance à des réglages élevés. Les déversements causent de la fumée et les débordements graisseux peuvent s'enflammer. Chauffez lentement les huiles à feu doux ou moyen.

B. Allumez toujours la hotte lorsque vous cuisinez à feu vif ou lorsque vous flambez d'aliments (crêpes Suzette, cerises Jubilee, steak au poivre flambé).

C. Nettoyez fréquemment le dispositif de ventilation. La graisse ne doit pas s'accumuler sur le ventilateur ou le filtre.

D. Utilisez une poêle de dimension appropriée. Utilisez toujours des ustensiles de cuisson adaptés à la grandeur de l'élément de surface.

3. Utilisez une poêle de dimension appropriée. Utilisez toujours des ustensiles de cuisson adaptés à la grandeur de l'élément de surface :

A. ÉTOUFFEZ LES FLAMMES avec un couvercle bien ajusté, une plaque à biscuits ou plateau de métal, puis éteignez le brûleur. FAITES ATTENTION AUX BRÛLURES. Si les flammes ne s'éteignent pas immédiatement, ÉVACUEZ ET APPELEZ LE SERVICE D'INCENDIE.

B. NE RAMASSEZ JAMAIS UN PLAT ENFLAMMÉ - Vous risquez de vous brûler.

C. N'UTILISEZ PAS D'EAU, y compris des serviettes ou des torchons mouillés - une violente explosion de vapeur pourrait en résulter.

D. Utilisez un extincteur SEULEMENT SI :

- 1) Vous savez que vous avez un extincteur de classe ABC et vous savez déjà comment l'utiliser.
- 2) Le feu est petit et contenu dans la zone où il a commencé.
- 3) Le service d'incendie a été appelé.
- 4) Vous pouvez combattre l'incendie en ayant le dos orienté vers une sortie.

4. Pour réduire le risque d'incendie ou de décharge électrique, n'utilisez pas ce ventilateur avec un dispositif de contrôle de vitesse à semi-conducteurs.

5. Pour assurer une protection contre les décharges électriques, ne branchez l'appareil que sur des prises correctement mises à la terre.

MISE EN GARDE : Pour une ventilation générale uniquement. Ne pas utiliser pour évacuer des matières et vapeurs dangereuses ou explosives.

CARACTÉRISTIQUES

La hotte de cuisinière est conçue pour être installée directement sur un mur au-dessus des appareils de cuisson. En plus de rehausser et de décorer votre cuisine, cet appareil aspire la graisse et les fumées de cuisson.

Veillez vous référer aux instructions ci-dessous

INSTALLATION ET UTILISATION

AVERTISSEMENT

1. POUR RÉDUIRE LE RISQUE D'INCENDIE, UTILISEZ UNIQUEMENT DES CONDUITS EN MÉTAL.
2. CONSIGNES DE MISE À LA TERRE

Cet appareil doit être mis à la terre. En cas de court-circuit électrique, la mise à la terre réduit le risque de décharge électrique en fournissant un fil d'évacuation pour le courant électrique. Cet appareil est équipé d'un cordon ayant un fil de mise à la terre avec une fiche de mise à la terre. La fiche doit être branchée dans une prise de courant correctement installée et mise à la terre.

AVERTISSEMENT– Une mise à la terre incorrecte peut entraîner un risque de décharge électrique.

Consultez un électricien qualifié si les instructions de mise à la terre ne sont pas entièrement comprises ou s'il existe un doute quant à la mise à la terre adéquate de l'appareil. N'utilisez pas de rallonge électrique. Si le cordon d'alimentation est trop court, demandez à un électricien qualifié d'installer une prise près de l'appareil.

MISE EN GARDE :

- Afin de réduire les risques d'incendie et d'évacuer l'air correctement, assurez-vous de canaliser l'air vers l'extérieur.
- Ne pas évacuer l'air dans les espaces à l'intérieur des murs et plafonds, dans les greniers, vides sanitaires ou garages.

REMARQUE : Retirer soigneusement le film protecteur (s'il y a lieu) des surfaces externes de la hotte avant l'installation finale.

DESCRIPTION / BRANCHEMENT

Cette hotte de cuisine doit être montée directement sur le châssis du cadre porteur et le conduit de fumée doit être fixé à la solive de plafond ou au cadre.

- Le conduit d'air peut être installé à la verticale ou à l'horizontale.
- Les conduits doivent être les plus courts possible.
- Éviter les coudes.
- Utiliser du ruban à conduits pour sceller les joints.
- Ne pas utiliser de conduits d'une taille inférieure au tuyau de refoulement de la hotte.

PRÉPARATION DE L'EMPLACEMENT

Les directives de ce guide sont rédigées à l'intention d'installateurs qualifiés, de techniciens de service ou d'individus ayant des compétences similaires. **N'ESSAYEZ PAS** d'installer cet appareil vous-même. L'installation de cet appareil sans détenir les compétences techniques nécessaires pourrait entraîner des blessures.

Tous les fils électriques doivent être correctement installés, isolés et mis à la terre. Les conduits d'air existants doivent être nettoyés de toute accumulation de graisse ou remplacés si nécessaire afin d'éliminer tout risque de feu de friture. Tous les joints des conduits doivent être vérifiés et bien scellés pour assurer une bonne connexion.

Remarque 1 : Pour les hottes en acier inoxydable, retirer soigneusement le film protecteur en plastique de toutes les surfaces externes de la hotte et de la cheminée avant l'installation finale.

Remarque 2 : Il faut deux personnes pour installer cette hotte.

HAUTEUR DE MONTAGE ET DÉGAGEMENT

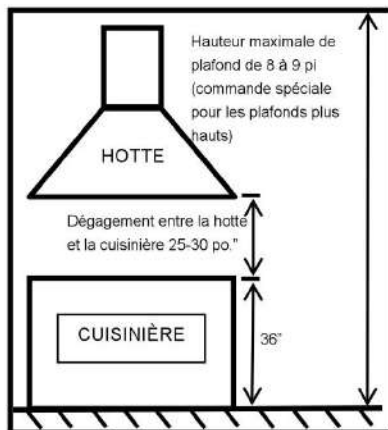
La hauteur de montage minimale entre le dessus de la surface de cuisson et le dessous de la hotte ne devrait pas être inférieure à 25 po (63 cm)."

La hauteur de montage maximale ne devrait pas être supérieure à 30 po (76,2 cm).

Il est très important d'installer la hotte selon la hauteur de montage conseillée. Un montage trop bas peut causer des dommages dus à la chaleur ou des risques d'incendie. Un montage trop haut peut rendre l'accès à la hotte difficile et diminue son efficacité et son rendement.

Si elles sont disponibles, consultez les exigences du fabricant concernant le dégagement de hauteur et la distance de montage recommandée au-dessus de la surface de cuisson

* Dégagement de hauteur maximale de 106,5 po (270 cm) du plafond à 27,5 po (69 cm) de la hauteur de montage de la hotte au-dessus de la cuisinière (la hauteur varie selon les modèles).



Conduits

NE JAMAIS terminer les conduits d'évacuation ni diriger l'air dans les murs, le plafond, le grenier, le vide sanitaire ou le garage.

L'air doit toujours être dirigé vers l'extérieur.

Utilisez uniquement un conduit en métal.

Fixer toutes les connexions et tous les branchements à l'aide de vis de métal et sceller tous les joints avec du ruban adhésif certifié, type Silver, ou du ruban adhésif à conduits

Calcul des conduits:

Conduit maximum 6 po ou 3 ¼ x10po	100 pi
Déduire:	
Chaque coude de 90°utilisé	15 pi
Chaque coude de 45° utilisé	9 pi
chaque transition 6 po à 3-1/4x10 po	1 pi
transition utilisée	
chaque 3-1/4 x 10 po à 6 po	5 pi
transition utilisée	
Évent latéral avec clapet	30 pi
Évent de toit	30 pi

Ex. : 1 événement de toit, 2 coudes de 90°, 1 coude de 45° = 30 pi + 30 pi + 9 pi = 69 pi utilisés.

31 pieds disponibles pour les conduits directs

TAILLE DU CONDUIT

Utilisez un conduit rond d'un minimum de 6 po pour assurer un débit d'air maximum.

Des conduits flexibles sont fournis par commodité. Toujours utiliser un conduit rigide en métal pour assurer un débit d'air maximum.

Utilisez le tableau de calcul (à gauche) pour établir la longueur totale de conduit disponible lorsque vous utilisez des coudes, des transitions et des événements.

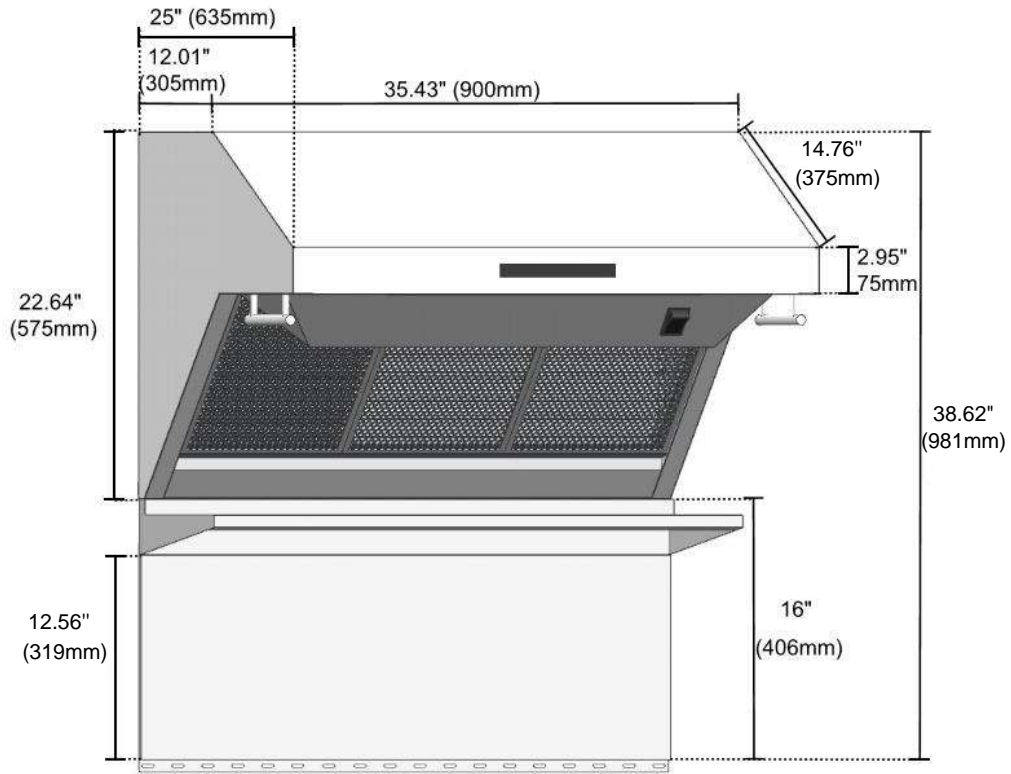
TOUJOURS réduire le nombre de transitions et de virages. Si vous avez besoin d'un long conduit, augmentez la taille du conduit de 6 po (15 cm) à 7 po ou 8 po (17 ou 20 cm).

Si vous utilisez un réducteur, installez-en un de grande taille plutôt qu'un réducteur « crêpe ». Réduire la taille du conduit le plus loin possible de l'ouverture.

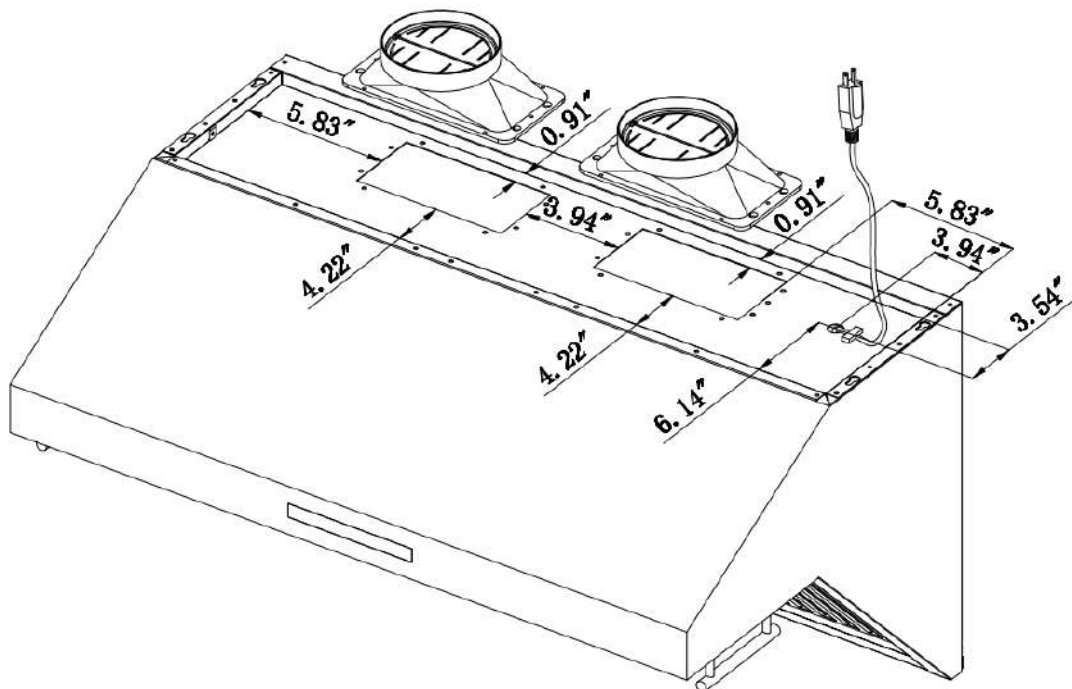
Si vous devez faire des virages ou des transitions : faites-le le plus loin possible de l'ouverture en gardant le plus d'espace qui soit entre les deux.

DIMENSIONS DU PRODUIT

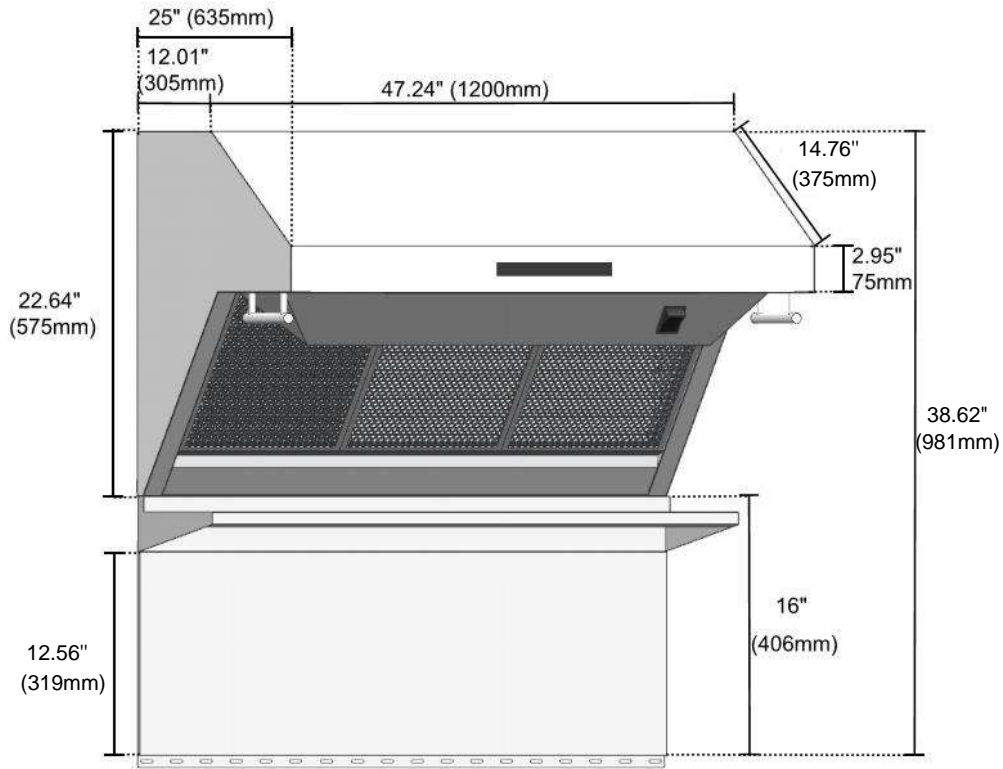
FRHWM5029-36HB - VUE DE L'AVANT



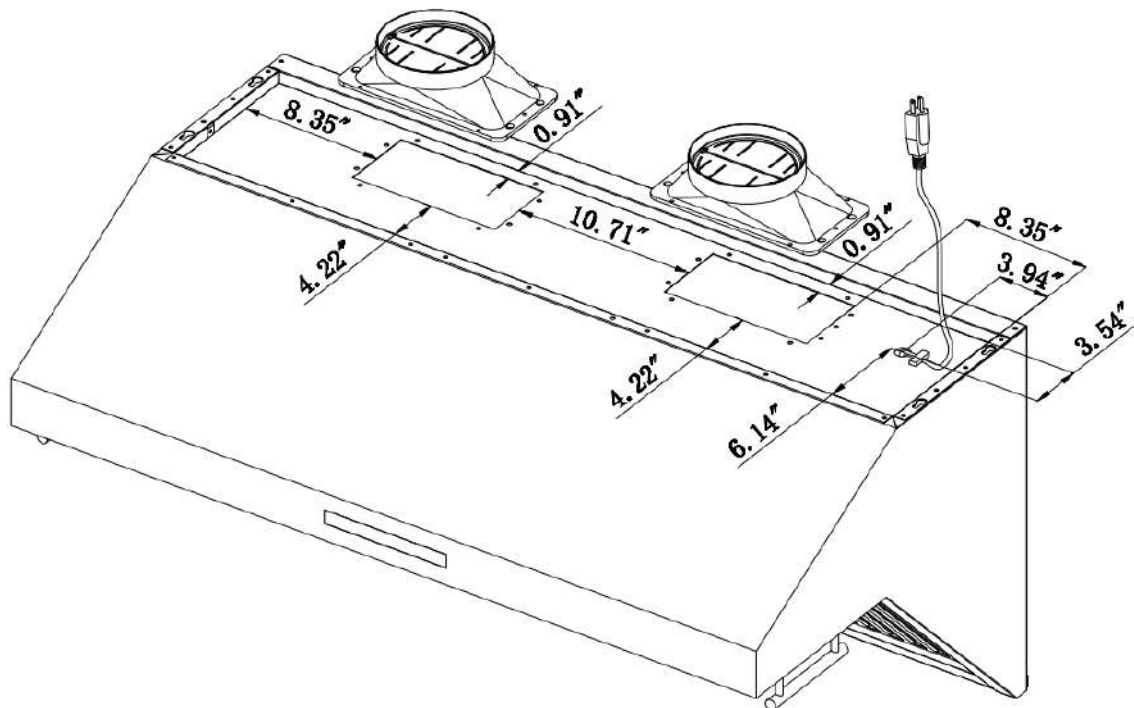
FRHWM5029-36 - VUE DEPUIS LE HAUT (EMPLACEMENT DE L'ÉCHAPPEMENT ET DU CORDON D'ALIMENTATION)



FRHWM5029-48HB – VUE DE L'AVANT



FRHWM5029-48HB - VUE DEPUIS LE HAUT (EMPLACEMENT DE L'ÉCHAPPEMENT ET DU CORDON D'ALIMENTATION)



PRÉPARATION DE L'INSTALLATION

- * Brancher l'appareil et vérifier si tout fonctionne.
- * Retirer le filtre déflecteur en acier inoxydable et le plateau à graisse.

OUTILS ET MATÉRIEL REQUIS (non fournis)



Crayon et ruban à mesurer



Ruban à conduits



Coupe-fils/pince à dénuder



Clé



Marteau



Scie à guichet



Niveau à bulle



Lunettes de sécurité



Escabeau



Perceuse électrique ou rechargeable et mèches de 1/8 po et 3/8 po



Capuchons de connexion



Conduit en métal cylindrique de 10 po, longueur adaptée à l'installation



Pince



Cisaille à métaux



Scie sauteuse ou scie alternative



Lampe de poche



Tournevis



Collier de serrage pour couvercle de raccordement.

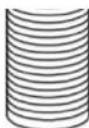


Fils électriques à 2 fils 120 V 60 Hz de 15 ou 20 A avec masse. Circuit de dérivation adéquatement mis à la terre.

ACCESSOIRES FOURNIS



Adaptateur électrique
cylindrique de 6 po avec
clapet (2x)



Tuyau cylindrique de 6 po
(2x)



Tablette chauffante



Ampoule chauffante
infrarouge (2x)



Support de fixation



Plaque anti-éclaboussure

VIS FOURNIES



Vis auto-taraudeuses M3,5x30mm
(18x)



Vis auto-taraudeuses M4x12mm
(4x)



Vis avec rondelles plates
M4x10mm (2x)



Vis auto-taraudeuses M4x8mm
(10x)

INSTRUCTIONS D'INSTALLATION

- Utilisez un niveau pour tracer l'emplacement de la ligne médiane de la surface de cuisson. Tracez une ligne jusqu'au plafond.
- Utilisez un niveau pour tracer l'emplacement de la surface de cuisson.

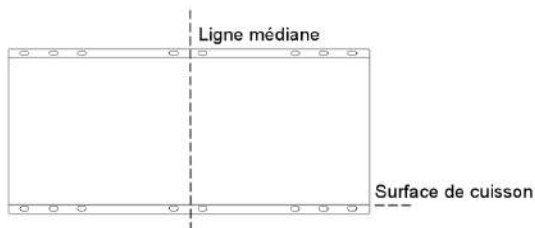
INSTALLATION DE LA PROTECTION ANTI-ÉCLABOUSSURE (DOSSERET)

Retirez l'emballage.

Posez la plaque anti-éclaboussure sur le mur de façon à ce qu'elle corresponde à la ligne médiane et à la surface de cuisson.

Fixez la plaque anti-éclaboussure sur le mur en insérant des vis auto-taraudeuses M3,5x30mm dans les trous du haut et du bas (2 vis en haut et 2 vis en bas).

REMARQUE : Assurez-vous que les vis sont bien ancrées dans les montants verticaux du mur.



Installation du support de fixation sur le mur

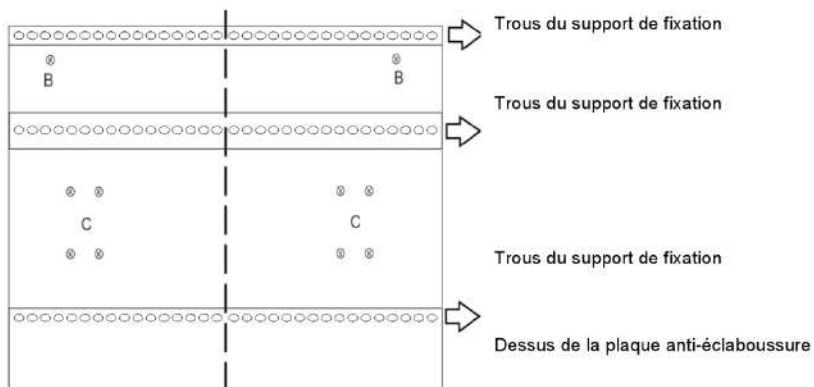
Retirez l'emballage

Placez le support de fixation sur le mur, alignez-le avec la ligne médiane et posez le dessus de la plaque anti-éclaboussure.

Insérez des vis auto-taraudeuses M3,5x30mm dans les trous du haut, du centre et du bas (4 vis en haut, 4 vis au centre et 4 vis en bas) puis fixez le support sur le mur

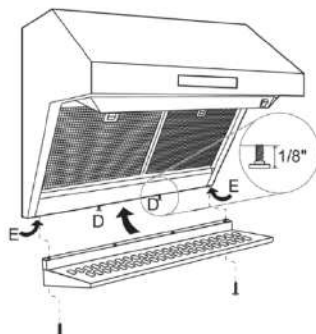
REMARQUE : Assurez-vous que les vis sont bien ancrées dans les montants verticaux du mur.

Ligne médiane



INSTALLATION DE LA TABLETTE CHAUFFANTE SUR LA HOTTE

- Insérez 2 vis auto-taraudeuses M4x8mm dans les trous « D » au bas de la bride de la hotte en laissant un dégagement de 1/8 po.
- Retirez l'emballage et la pellicule protectrice de la tablette (le cas échéant).
- Fixez la tablette chauffante au bas de la hotte en insérant la tête des vis auto-taraudeuses dans les fentes en trou de serrure au-dessus de la tablette. Glissez la tablette vers la gauche pour la verrouiller en place.
- Passez les 2 vis M4x10mm et les rondelles plates à travers la partie inférieure de la tablette jusqu'à la bride inférieure de la hotte à l'emplacement « E ».



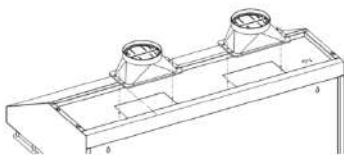
INSTALLATION DE LA HOTTE SUR UN MUR

SAUTEZ CETTE ÉTAPE SI VOUS INSTALLEZ LA HOTTE SOUS UN SOFFITE OU UNE ARMOIRE

Installez l'adaptateur électrique sur le dessus de la hotte

IMPORTANT : Vérifiez que le clapet bouge librement.

- Placez l'adaptateur électrique (2x) sur la hotte d'évacuation et fixez-le avec 4 vis auto-taraudeuses M4x12mm.
- Utilisez du ruban à conduits pour sceller le branchement. Vérifiez que le clapet bouge librement.



Suspendre la hotte sur le support de fixation

Soulevez la hotte et tenez-la à proximité du support de fixation. Alignez les trous de montage à l'emplacement « B ».

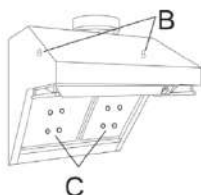
Assurez-vous d'engager la tête de la vis du support dans les fentes en trous de serrure situées au dos de la hotte.

Glissez la hotte de façon à ce qu'elle soit suspendue correctement sur le support.

Serrez les vis de l'emplacement « B ».

Assurez-vous que la hotte est centrée et au niveau et que les 8 trous des emplacements « C » s'alignent correctement aux trous du support.

Faites passer les 8 vis auto-taraudeuses M4x8mm à l'arrière de la hotte aux emplacements « C » et serrez le support de fixation.



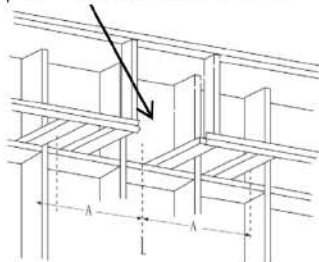
INSTALLATION DE LA HOTTE À UN SOFFITE OU SOUS UNE ARMOIRE

SAUTEZ CETTE ÉTAPE SI VOUS UTILISEZ UN MONTAGE MURAL

Au besoin, la hotte peut être installée pour être soutenue par un soffite.

- Le soffite doit être bâti en deux par quatre.
- Déterminez l'emplacement de l'installation sur le mur.
- Prolongez la ligne médiane au bas de l'armoire ou du soffite.
- L'ouverture au-dessus de la hotte doit permettre le passage d'un conduit cylindrique de 10 po et offrir un dégagement permettant de glisser l'arrière de la hotte contre le mur.
- Les deux par quatre doivent être situés comme sur la dimension A du tableau pour recevoir les vis de montage.

Nécessite une ouverture d'au moins 10-1/2 po pour le conduit et l'installation de la hotte.



	Ligne médiane "A" vers le montant et les fentes en trou de serrure	« F » LARGEUR DE LA HOTTE SUR LE DESSUS
48 po	23-9/16 po	47-15-16 po
36 po	17-9/16 po	35-15/16 po
30 po	14-9/16 po	29-15/16 po



L'arrière de la hotte

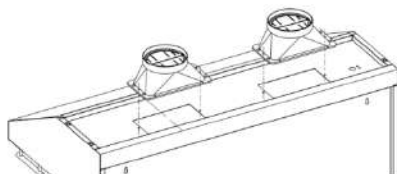
- Percez des trous pilotes de 1/8 po dans les montants aux emplacements indiqués sur la vue en plan.

IMPORTANT : La charpente du soffite doit pouvoir supporter un poids de 150 lb.

Installez l'adaptateur électrique sur le dessus de la hotte

IMPORTANT : Vérifiez que le clapet bouge librement

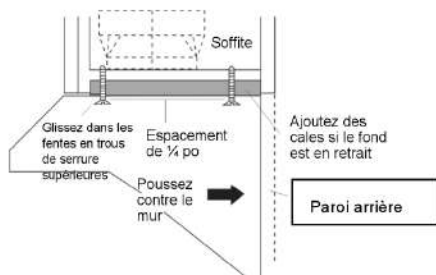
- Fixez l'adaptateur électrique (2x) sur la hotte d'évacuation avec 4 vis auto-taraudeuses M4x12mm.
- Utilisez du ruban à conduits pour sceller le branchement. Vérifiez que le clapet bouge librement.



Montage de la hotte sur un soffite ou une armoire

Remarque : Pour un montage sous une armoire avec un fond en retrait, ajoutez des cales pour combler le vide.

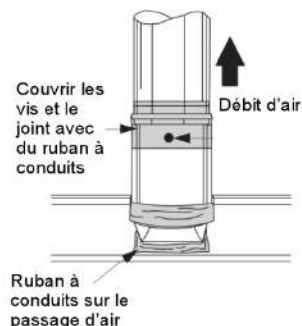
- Vissez les vis de montage dans le montant jusqu'à ce qu'elles dépassent de $\frac{1}{4}$ po. Cet espacement assurera l'espace nécessaire pour glisser les fentes en trou de serrures sur le dessus de la hotte.
- Soulevez la hotte en position d'installation.
- Soulevez la hotte sur les vis de montage et glissez-la contre la paroi arrière.
- Serrez les vis de montage.



IMPORTANT : Pour un support supplémentaire et pour réduire la vibration lors du fonctionnement de la hotte, fixez la hotte sur la paroi arrière. Utilisez des chevilles murales pour fixer l'arrière de la hotte sur le mur.

BRANCHEMENT DU CONDUIT D'ÉVACUATION

- Installez le conduit d'évacuation en réalisant un branchement en suivant le débit d'air, comme sur l'illustration.
- Entourez tous les joints du conduit avec du ruban à conduits pour une fermeture étanche.
- Utilisez du ruban à conduits pour sceller la bride de raccordement. Passez la main à l'intérieur de la hotte et poussez le clapet vers le haut pour vous assurer qu'il bouge librement.



INSTALLATION DES FILTRES

- Remplacez le plateau à graisse et le filtre déflecteur dans la hotte.

Branchement électrique

* Le câblage électrique doit être effectué par un technicien qualifié conformément aux normes et aux codes en vigueur.

Couper l'alimentation électrique au branchement d'abonné avant tout câblage.

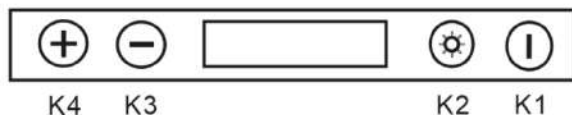
* Si le cordon d'alimentation est endommagé, il doit être remplacé par le fabricant, ses techniciens ou autres personnes qualifiées pour éviter tout risque de danger.

* Ne pas utiliser de prise ni de rallonge autres que celles initialement fournies avec la hotte.

* La mise à la terre de la hotte est obligatoire. Ne pas enlever la branche de mise à la terre.

Pour éviter tout risque d'incendie, d'électrocution, ou de blessures; aux fins de nettoyage et d'entretien de la part de l'utilisateur comme la lubrification, débrancher ou déconnecter l'appareil de l'alimentation électrique avant toute réparation.

FONCTIONS



K1 : Touche d'alimentation

Lorsque la hotte est allumée, appuyez sur la touche K1 pour accéder au menu du minuteur de coupure d'alimentation. La durée de fonctionnement du minuteur est de 15 minutes. La hotte s'éteindra lorsque le minuteur affiche 0. Si vous appuyez à nouveau sur la touche K1, la hotte s'éteindra.

Lorsque la hotte est éteinte, appuyez sur la touche d'alimentation pendant 3 secondes pour accéder au menu de réglage de l'horloge. Appuyez sur les touches K4 (+) et K3 (-) pour avancer ou reculer l'heure et appuyez à nouveau sur la touche K1 ; vous pouvez régler les minutes en appuyant sur les touches K4 et K3.

K2 : Touche d'éclairage

Appuyez sur cette touche pour allumer et éteindre la lumière.

K3 et K4 : Touches + et -

Appuyez sur ces deux touches pour régler la vitesse de la hotte et pour accéder au menu du réglage de l'horloge.

ENTRETIEN ET NETTOYAGE

Entretien de la surface :

Nettoyer périodiquement la surface avec de l'eau chaude savonneuse et un chiffon en coton propre. Ne pas utiliser de détergent corrosif ou abrasif (p.ex. : poudre à récurer Comet, nettoyant pour le four EZ-Off), ni de laine d'acier ou de tampons à récurer qui risquent d'égratigner et d'endommager la surface.

Pour la saleté plus tenace, utiliser un produit dégraissant liquide comme Formula 409 ou le nettoyant de marque Fantastic.

Après le nettoyage, vous pouvez utiliser un agent polissant pour l'acier inoxydable, comme 3M ou ZEP, pour polir et redonner du lustre. Toujours frotter légèrement avec un chiffon en coton propre dans le sens du grain.

Filtres déflecteurs en acier inoxydable:

Les filtres installés en usine sont conçus pour filtrer les résidus et la graisse de cuisson. Il n'est pas nécessaire de les changer régulièrement, mais ils doivent être nettoyés.

Nettoyer les filtres après 30 heures d'utilisation.

Enlever et nettoyer les filtres à la main dans une bassine remplie d'eau chaude savonneuse. Le filtre va au lave-vaisselle.

Pour la saleté plus tenace, vaporiser un détergent dégraissant de type Formula 409 ou équivalent et laisser tremper.

Laisser les filtres sécher et les remettre en place avant d'utiliser la hotte.

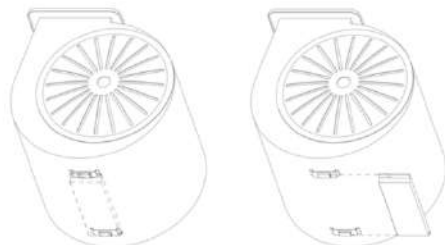
Collecteur d'huile

Nettoyez fréquemment le collecteur d'huile selon le volume d'huile à l'intérieur.

Lavez le collecteur d'huile à la main dans une cuvette remplie d'eau chaude savonneuse.

Si le collecteur est très sale, vaporisez du Formula 409 ou un détergent dégraissant équivalent et laissez tremper.

Glissez le collecteur dans le réceptacle situé au fond du bloc.



Nettoyage de la hotte

Les résidus graisseux saturés dans les souffleurs et les filtres peuvent augmenter les risques d'inflammabilité. Nettoyez l'appareil de toute graisse et de toute accumulation de résidus pour éviter les incendies.

Les filtres doivent être nettoyés régulièrement et exempts de tout résidu culinaire (lire les Instructions de nettoyage dans le présent manuel). Remplacez immédiatement tous les filtres usagés et usés. Ne pas faire fonctionner les souffleurs sans les filtres. Ne démontez jamais de pièces pour les nettoyer sans avoir suivi les instructions au préalable. Le démontage devrait être effectué uniquement par des personnes qualifiées. Communiquez avec notre service à la clientèle pour des instructions au sujet du démontage.

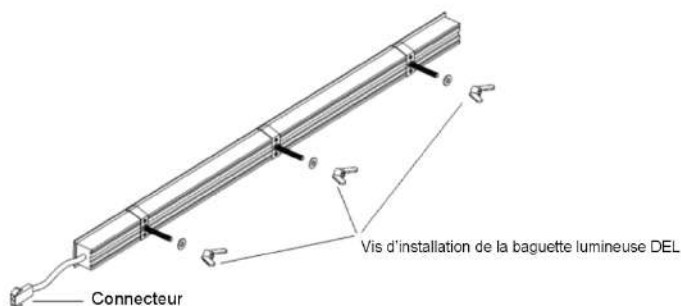
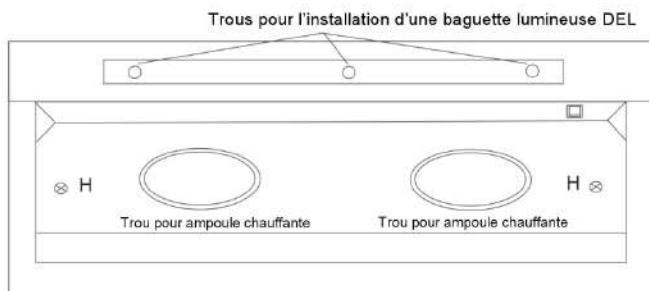
L'acier inoxydable est l'un des matériaux les plus faciles à garder propre. Des soins occasionnels permettront de conserver sa belle apparence.

Conseils de nettoyage :

- * De l'eau chaude savonneuse ou un détergent suffisent généralement.
- * Rincez à l'eau claire. Essuyez avec un chiffon doux et propre pour éviter les traces d'eau.
- * Pour la décoloration et les dépôts résistants, utilisez une poudre à polir pour acier inoxydable ou un nettoyant ménager non abrasif avec un peu d'eau et un chiffon doux.
- * Pour les taches tenaces, utilisez un tampon à récurer en plastique ou une brosse à poils doux avec un nettoyant et de l'eau. Frottez légèrement en suivant le sens des lignes de polissage (ou le grain) de la finition inox. Évitez de trop appuyer pour ne pas marquer la surface.
- * Ne pas laisser les dépôts s'incruster.
- * N'utilisez pas de brosses en acier ni de laine d'acier ordinaire. De petites particules d'acier peuvent adhérer à la surface et provoquer la rouille.
- * Ne laissez pas de solutions salines, de désinfectants, d'agents de blanchiment ni de produits pour nettoyer rester en contact avec l'acier inoxydable pendant de longues périodes. Bon nombre de ces produits contiennent des produits chimiques qui peuvent être dangereux. Rincez à l'eau après exposition et essuyez avec un chiffon propre.
- * Nettoyez les surfaces peintes à l'eau tiède et seulement avec un détergent doux.

AVERTISSEMENT

Assurez-vous que la source d'alimentation est coupée et que les ampoules sont éteintes depuis un certain temps avant de les remplacer. L'ampoule reste chaude un certain temps après qu'elle soit éteinte.



Remplacement d'une baguette lumineuse DEL

Étape 1 : Retirez le panneau lumineux en dévissant les vis à l'emplacement « H ».

Remarque : Prenez bien soin de ne pas endommager la hotte de cuisinière.

Étape 2 : Dévissez les vis situées au dos de l'ampoule DEL dans le sens antihoraire.

Étape 3 : Retirez l'ampoule DEL du connecteur.

Remplacez la nouvelle bande lumineuse DE L avec le connecteur et vissez dans le sens horaire.

Remplacez et vissez le panneau lumineux dans la hotte à l'emplacement « H ».

Installation de l'ampoule chauffante

Placez l'ampoule dans la douille. Tournez dans le sens horaire pour serrer.

Pour desserrer, tournez dans le sens antihoraire.

AVERTISSEMENT

ATTENTION – SURFACE CHAUDE

Ampoule chauffante, tension nominale de 120 V CA, 220 W

Débranchez l'appareil avant d'installer l'ampoule

ATTENTION : NE PAS TOUCHER AUX UNITÉS DE SURFACE OU AUX ZONES À PROXIMITÉ DES UNITÉS – Les unités de surface peuvent être chaudes même si elles sont de couleur sombre. Les zones à proximité des unités de surface peuvent être suffisamment chaudes pour causer des brûlures. Pendant et après l'utilisation, ne pas toucher ni laisser de vêtements ni de matière inflammable toucher les unités de surface ou les zones à proximité des unités de surface jusqu'à ce qu'elles aient eu suffisamment de temps pour refroidir. Les zones à proximité des unités de surface sont la table de cuisson et les surfaces orientées vers la table de cuisson.

DÉPANNAGE

Ma hotte fonctionne, mais l'air se déplace plus lentement que d'habitude.

Vérifiez l'accumulation du filtre et nettoyez-le ou remplacez-le si nécessaire. Si la difficulté persiste, vérifiez si des obstructions dans les conduits. Une obstruction commune est l'accumulation dans le toit ou le capuchon mural, comme : nids d'oiseaux ou d'autres débris.

Qu'est-ce que l'air de compensation ?

Lorsque la hotte de cuisinière ventile l'air hors de la pièce, l'air évacué doit être remplacé, c'est ce qu'on appelle de l'air d'appoint. À l'heure actuelle, nous ne fournissons pas d'unité d'air d'appoint. REMARQUE : Consultez toujours tout ce qui s'applique les codes du bâtiment dans votre région concernant les débits d'air minimaux et maximaux. Certains États/Provinces peuvent nécessiter des articles supplémentaires tels que de l'air de compensation pour les hottes avec des PCM plus élevées (généralement plus de 300 PCM).

Ma hotte ne fonctionnera pas.

1. Vérifiez qu'il y a de l'énergie à la hotte de gamme. Le problème le plus courant est que le disjoncteur est éteint ou que le fusible a soufflé.
2. Assurez-vous que la vitesse a été sélectionnée aux commandes de la hotte.
3. Coupez l'alimentation de la hotte et vérifiez que tous les fils sont correctement connectés.

Ma hotte fait un bruit de cliquetis.

Ceci est probablement attribué à l'un des éléments suivants :

1. Le moteur est desserré - Éteignez l'alimentation et retirez le filtre et vérifiez que toutes les vis sont bien fixées et serrées autour du moteur.
2. La connexion de conduits est desserrée - Éteignez l'alimentation de l'unité et vérifiez que la connexion de conduits au tuyau est étanche. Vérifier s'il est nécessaire d'ajouter du ruban adhésif.

Ma hotte n'a pas de puissance.

1. Vérifiez les connexions électriques.
2. Vérifiez que toutes les connexions à la carte de circuit sont sécurisées.
3. Si le problème persiste, veuillez contacter le support technique Forno.

Ma hotte ne tire pas d'air.

- L'unité a-t-elle été branchée et le ventilateur a-t-il été vérifié avant l'installation ?
- À quelle distance la hotte est-elle montée au-dessus de la cuisinière ?
- La largeur de la hotte est-elle la taille correcte pour le dessus de la cuisinière ?
- La hotte a-t-elle suffisamment de PCM par rapport à sa cuisinière au gaz ou à la cuisinière électrique ?
 - Sortie de BTU par brûleur/100 - pour le gaz
 - Puissance de sortie par brûleur/10 - pour électrique



Campana Extractora Manual de Instrucciones

FRHWM5029-36/48HB



IMPORTANTE:

LEA Y CONSERVE ESTAS INSTRUCCIONES

AVISO:

Instalador: Entregue esta guía al propietario

Propietario: conserve esta guía para futuras consultas

**CAMPANA EXTRACTORA PROFESIONAL DE
ACERO INOXIDABLE**

Atención al cliente

Gracias por comprar un producto FORNO. Lea el manual de instrucciones completamente antes de utilizar su nuevo electrodoméstico por primera vez. Si usted es un usuario ocasional o ya un experto, resulta siempre beneficioso familiarizarse con las prácticas de seguridad, características, funcionamiento y recomendaciones de cuidado de su electrodoméstico.

Tanto el modelo como el número de serie figuran en el producto. Para la garantía, también necesitará la fecha de compra. Registre las informaciones a continuación para referencia futura:

INFORMACIONES DE SERVICIO:

Número del modelo:

Use estos números en cualquier correspondencia o llamadas de servicio relacionadas con su electrodoméstico.

Número de serie:

Si recibió un electrodoméstico dañado, comuníquese inmediatamente **FORNO**.

Fecha de compra:

Ahorre tiempo y dinero. Antes de llamar al servicio técnico, consulte la Guía de solución de problemas. Enumera las causas de los problemas de funcionamiento menores que puede corregir usted mismo.

Dirección del lugar de compra y teléfono:

SERVICIO EN CANADA Y LOS ESTADOS UNIDOS:

Mantenga el manual de instrucciones a mano para responder sus preguntas. Puede encontrar toda la información en línea www.forno.ca.

Si no entiende o necesita más ayuda, visite nuestro sitio web o correo electrónico: info@forno.ca

Si tiene alguna pregunta, Póngase en contacto con el servicio al cliente FORNO. Tenga en cuenta que antes de enviar al proveedor de servicios, es necesario solucionar problemas con el representante de servicio al cliente. Todo el trabajo de garantía requiere la autorización del Departamento de atención al cliente de FORNO. Todos nuestros proveedores de servicios autorizados han sido cuidadosamente seleccionados y estrictamente capacitados por nosotros.

Garantía

Qué cubre esta garantía limitada:

La cobertura de garantía proporcionada por Forno en esta declaración se aplica exclusivamente al dispositivo ("Producto") vendido al consumidor ("Comprador") por un revendedor/distribuidor/minorista autorizado de Forno, comprado e instalado en los Estados Unidos o Canadá, y que siempre ha permanecido en el país original de compra (Estados Unidos o Canadá). La cobertura de la garantía se activa en la fecha de compra original y tiene un plazo de dos (2) años.

La cobertura de la garantía no es transferible. En caso de reemplazo de piezas o del producto completo, el producto (o piezas) de reemplazo asumirá el resto de la garantía original activada con el comprobante de compra original. Esta garantía no se extenderá con respecto a dicho reemplazo. Forno reparará o reemplazará cualquier componente / pieza que falle o se encuentre defectuoso debido a materiales y / o mano de obra dentro de los 2 años posteriores a la fecha de compra minorista inicial y bajo condiciones residenciales ordinarias no comerciales. La reparación o el reemplazo serán gratuitos, incluida la mano de obra a tarifas estándar y los gastos de envío. El comprador es responsable de hacer que el producto sea razonablemente accesible para el servicio. El servicio de reparación debe ser realizado por una empresa de servicio autorizada de Forno durante las horas normales de trabajo.

IMPORTANTE

Conserve el comprobante de compra original para establecer el período de garantía. La responsabilidad de Forno por cualquier reclamación de cualquier tipo, con respecto a los bienes y/o servicios suministrados, en ningún caso excederá el valor de los bienes o servicios o de la parte que dio lugar a la reclamación.

Garantía cosmética de 30 días

El Comprador debe inspeccionar el producto en el momento de la entrega. Forno garantiza que el Producto está libre de defectos de materiales y mano de obra durante un período de treinta (30) días a partir de la fecha original de compra del Producto.

Esta cobertura incluye:

Manchas de pintura

Abrasiones

Defectos de acabado macroscópicos

La garantía cosmética NO cubre:

Problemas resultantes de un transporte, manipulación y/o instalación inadecuados (por ejemplo, abolladuras, estructuras o componentes rotos, deformados o deformados, componentes de vidrio agrietados o dañados);

Ligeras variaciones de color en componentes pintados / esmaltados;

Diferencias causadas por iluminación natural o artificial, ubicación u otros factores similares;

Manchas/corrosión/decoloración causadas por sustancias externas y/o factores ambientales;

Costos de mano de obra, exhibición, piso, stock B, electrodomésticos listos para usar, "tal cual" y unidades de demostración.

Cómo recibir el servicio

Para recibir los servicios de garantía, el comprador debe ponerse en contacto con el departamento de soporte de Forno para determinar el problema y los procedimientos de servicio requeridos. *Será necesario solucionar problemas* con un representante de servicio al cliente antes de seguir adelante con el servicio. Se solicitará el número de modelo original, el número de serie y la fecha de compra de venta al público.

Descargo de responsabilidad de garantía: Lo que no está cubierto

> El uso del producto en cualquier lugar no residencial, aplicación comercial. Uso del Producto para cualquier otra cosa que no sea su propósito previsto.

> Servicios de reparación proporcionados por cualquier persona que no sea una Agencia de Servicio Autorizada de Forno.

> Servicios de daño o reparación para corregir servicios prestados por partes no autorizadas o uso de piezas no autorizadas.

> Instalación que no cumple con los códigos de incendios locales/estatales/municipales/del condado, códigos eléctricos, códigos de gas, códigos de plomería, códigos de construcción, leyes o reglamentos.

> Defectos o daños debidos a un almacenamiento inadecuado del Producto.

> Defectos, daños o piezas faltantes en productos vendidos fuera del embalaje o exhibiciones originales. Llamadas de servicio o reparaciones para corregir un error en la instalación del Producto y/o accesorios asociados.

> Reemplazo de piezas/llamadas de servicio para conectar, convertir o reparar cableado eléctrico y/o línea de gas con el fin de utilizar correctamente el producto.

> Sustitución de piezas/llamadas de servicio para proporcionar instrucciones e información sobre el uso del Producto.

> Reemplazo de piezas/llamadas de servicio para corregir problemas resultantes del uso del producto de una manera distinta a la normal y habitual para uso residencial.

circundante, incluidos muebles, armarios, suelos, paneles y otras estructuras que rodean el Producto. Forno no es responsable de los Productos si se encuentra en un área remota o en un área donde técnicos capacitados

> Reemplazo de piezas/llamadas de servicio debido al desgaste de componentes como juntas, botones, soportes de sartén, estantes, cestas de cubiertos, botones, pantallas táctiles, bandejas vitrocerámicas rayadas o rotas.

> Reemplazo de piezas / llamadas de servicio en caso de falta / mantenimiento deficiente, que incluye pero no se limita a: acumulación de residuos, manchas, arañazos, decoloración, corrosión.

> Defectos y daños resultantes de accidentes, alteración, mal uso, abuso o instalación incorrecta.

> Defectos y daños resultantes del Producto de Transporte, Logística y Manipulación. La inspección del producto debe realizarse en el momento de la entrega. Tras la recepción e inspección, el distribuidor / empresa de entrega vendedora debe ser informado de cualquier problema que surja de la manipulación, el transporte y la logística.

> Defectos y daños resultantes de fuerzas externas fuera del control de Forno, incluidos, entre otros, viento, lluvia, arena, fuego, inundación, deslizamientos de tierra, temperaturas bajo cero, humedad excesiva o exposición prolongada a la humedad, sobretensiones, rayos, fallas estructurales que rodean el dispositivo y otros actos de Dios.

> Productos cuyo número de serie ha sido alterado/dañado. En ningún caso Forno es responsable de los daños a la propiedad certificados no están razonablemente disponibles. El Comprador asumirá todos los costos de transporte y entrega del Producto al centro de servicio autorizado o los gastos de viaje adicionales de un técnico certificado.

NO HAY GARANTÍAS EXPRESAS DISTINTAS DE LAS ENUMERADAS Y DESCRITAS ANTERIORMENTE, Y NO HAY GARANTÍAS, EXPRESAS O IMPLÍCITAS, INCLUIDAS, ENTRE OTRAS, LAS GARANTÍAS IMPLÍCITAS DE COMERCIABILIDAD O IDONEIDAD PARA UN PROPÓSITO PARTICULAR QUE SE APLICARÁN DESPUÉS DE LOS PERÍODOS DE GARANTÍAS ESTABLECIDOS ANTERIORMENTE, Y NINGUNA OTRA GARANTÍA EXPRESA O GARANTÍA OTORGADA POR NINGUNA PERSONA, LA EMPRESA O EMPRESA CON RESPECTO A ESTE PRODUCTO SERÁ OBLIGATORIA PARA FORNO. FORNO NO SERÁ RESPONSABLE POR PÉRDIDA DE INGRESOS O BENEFICIOS, FALTA DE AHORROS U OTROS BENEFICIOS, TIEMPO FUERA DEL TRABAJO, COMIDAS, PÉRDIDA DE ALIMENTOS O BEBIDAS, GASTOS DE VIAJE U HOTEL, COSTOS DE ALQUILER O COMPRA DE ELECTRODOMÉSTICOS, GASTOS DE REMODELACIÓN / CONSTRUCCIÓN MAYORES QUE EL DAÑO DIRECTO INNEGABLE CAUSADO EXCLUSIVAMENTE POR FORNO O CUALQUIER OTRO ESPECIAL, DAÑOS INCIDENTALES O CONSECUENTES CAUSADOS POR EL USO, MAL USO O IMPOSIBILIDAD DE USO DE ESTE PRODUCTO, INDEPENDIENTEMENTE DE LA TEORÍA ALEGAL EN LA QUE SE BASE LA RECLAMACIÓN, E INCLUSO SI FORNO HA SIDO ADVERTIDO DE LA POSIBILIDAD DE TALES DAÑOS. ADEMÁS, LA RECUPERACIÓN DE CUALQUIER TIPO CONTRA FORNO NO SERÁ SUPERIOR AL PRECIO DE COMPRA DEL PRODUCTO VENDIDO POR FORNO Y CAUSANTE DEL DAÑO ALEGADO. SIN PERJUICIO DE LO ANTERIOR, EL COMPRADOR ASUME TODOS LOS RIESGOS Y RESPONSABILIDADES POR PÉRDIDAS, DAÑOS O LESIONES A LA PROPIEDAD DEL COMPRADOR Y DEL COMPRADOR Y OTROS Y SUS PROPIEDADES QUE SURJAN DEL USO, MAL USO O IMPOSIBILIDAD DE USAR ESTE PRODUCTO VENDIDO POR FORNO QUE NO SEA EL RESULTADO DIRECTO DE NEGLIGENCIA POR PARTE DE FORNO. LA GARANTÍA LIMITADA NO SE EXTENDERÁ A NADIE MÁS QUE AL COMPRADOR ORIGINAL DE ESTE EL PRODUCTO NO ES TRANSFERIBLE Y ESTABLECE SU RECURSO EXCLUSIVO.

ADVERTENCIA



1. Antes de poner en servicio o limpiar la unidad, desenchufe o desconecte la campana extractora de la fuente de alimentación.

2. PARA DISMINUIR EL RIESGO DE INCENDIO POR GRASA DE LAS HORNALLAS:

A. Nunca deje las hornallas desatendidas a una temperatura alta. Los rebales pueden generar humo y la grasa que se desborde puede encenderse. Caliente los aceites lentamente a una configuración baja o media.

B. Encienda siempre la campana al cocinar a fuego alto o al flamear alimentos (por ej. crepes Suzette, cerezas jubilé, flambé de ternera a la pimienta).

C. Limpie los ventiladores con frecuencia. No permita que se acumule grasa en el ventilador o filtro.

D. Use el tamaño de sartén adecuado. Use siempre utensilios de cocina apropiados para el tamaño de las hornallas.

3. PARA DISMINUIR EL RIESGO DE LESIONES A PERSONAS EN CASO DE UN INCENDIO POR GRASA EN LOS QUEMADORES, OBSERVE LO SIGUIENTE:

A. REDUZCA LAS LLAMAS con una tapa ajustada, una bandeja para hornear galletas o una bandeja de metal, luego apague la hornalla. TENGA CUIDADO PARA EVITAR QUEMADURAS. Si las llamas no se apagan inmediatamente, DEBE EVACUAR EL ÁREA Y LLAMAR AL DEPARTAMENTO CONTRA INCENDIOS.

B. NO AGARRE NUNCA UNA SARTÉN EN LLAMAS – podría quemarse.

C. NO USE AGUA ni paños de cocina o toallas húmedas – se produciría una violenta explosión de vapor.

1. D. Use un extintor SOLAMENTE si:

1) Sabe que dispone de un extintor Clase ABC y ya sabe cómo utilizarlo.

2) El fuego es pequeño y está dentro del área donde se inició.

3) Ha llamado al departamento contra incendios.

4) Puede combatir el fuego estando de espaldas a una salida.

4. Para reducir el riesgo de incendio o descarga eléctrica, no use este ventilador con ningún Dispositivo con Control de Velocidad de Estado Sólido.

5. Para proporcionar una protección contra descargas eléctricas, conecte únicamente a enchufes con tomacorriente.

PRECAUCIÓN: Solo para uso de ventilación general. No lo use para extraer materiales y vapores peligrosos o explosivos.

CARACTERÍSTICAS

Esta campana extractora está concebida para una cocina de diseño con campana extractora que esté instalada directamente sobre los electrodomésticos de cocina contra la pared. Este extractor es un punto central y una pieza importante en su cocina, que al mismo tiempo tiene la ventaja de extraer la grasa y el humo de su cocina.

A continuación, puede consultar las instrucciones.

INSTALACIÓN Y USO

ADVERTENCIA

1. PARA DISMINUIR EL RIESGO DE INCENDIO, UTILICE SOLAMENTE CONDUCTOS METÁLICOS.

2. REQUISITOS ELÉCTRICOS:

Este electrodoméstico debe estar conectado a un tomacorriente. En caso de cortocircuito eléctrico, la conexión a tomacorriente reduce el riesgo de descarga eléctrica, ya que proporciona un cable de escape para la corriente eléctrica. Este electrodoméstico está equipado con un cable que dispone de un enchufe de conexión a tierra. El enchufe debe conectarse a un tomacorriente que esté correctamente instalado.

ADVERTENCIA –

Una conexión a un tomacorriente inadecuada puede aumentar el riesgo de descarga eléctrica.

Consulte a un electricista calificado si no ha entendido los requisitos eléctricos por completo o si tiene dudas sobre si el electrodoméstico está correctamente conectado a tierra.

No utilice un cable alargador. Si el cable de alimentación es demasiado corto, pida a un electricista que instale una toma de corriente cerca del electrodoméstico.

PRECAUCIÓN :

- Para disminuir el riesgo de incendio y extraer el aire adecuadamente, asegúrese de conducir el aire hacia el exterior.

- No ventile el aire de escape hacia espacios entre paredes, techos, áticos, pasadizos o garajes.

NOTA: retire la película protectora (si está incluida) con cuidado de las superficies exteriores de la campana antes de instalarla por completo.

DESCRIPCIÓN / CONEXIÓN

Esta campana extractora debe montarse directamente en el marco de soporte, en el que la chimenea queda fijada a la viga o estructura del techo.

- Los conductos se pueden instalar verticalmente o horizontalmente.
- Los conductos deben ser lo más cortos posibles.
- Evite el uso de los codos.
- Use cinta adhesiva en todas las juntas.
- No use un conducto que sea más pequeño que la descarga de la campana.

PREPARACIÓN DE LA UBICACIÓN

La instalación en este manual está dirigida a instaladores calificados, técnicos de mantenimiento o personas con experiencia calificada NO intente instalar este aparato usted mismo. La instalación de la unidad debido a la falta de experiencia eléctrica y técnica adecuada puede causarle lesiones.

Todo el cableado eléctrico debe estar correctamente instalado, aislado y conectado al tomacorriente. El exceso de grasa acumulada en los conductos antiguos debe limpiarse o bien reemplazar los conductos, para evitar un incendio por grasa. Verifique todas las juntas de los conductos para garantizar que se haya conectado correctamente, y que todas las juntas estén debidamente precintadas.

Nota 1: Retire con cuidado la película plástica protectora de todas las superficies exteriores en las campanas de acero inoxidable tanto de la campana como la chimenea, antes de instalarla por completo.

Nota 2: Se requiere al menos dos personas para montar la campana.

ALTURAS DE MONTAJE Y SEGURIDAD

La altura mínima de montaje entre la parte superior del horno cocina y la parte inferior de la campana no debe ser inferior a 25".

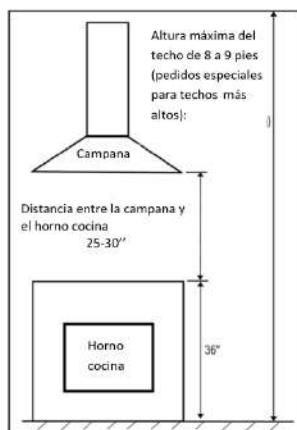
La altura máxima de montaje no debe ser superior a 30".

Es importante instalar la campana a la altura de montaje adecuada. Las campanas que se hayan montado a una altura demasiado baja pueden provocar daños por calor y peligro de incendio; mientras que las campanas que se hayan instalado a una altura demasiado alta perderán en rendimiento y eficiencia.

Si estuvieran disponibles, consulte también los requisitos de altura de seguridad y de la altura de montaje entre las hornallas y la campana recomendados por el fabricante.

* Distancia de seguridad máxima con el techo 106.5" a 27.5" de altura de montaje de la campana a la cocina (puede variar según el modelo).

** Para los techos más altos, la extensión de la chimenea y la cubierta decorativa están disponibles para la compra, si fuera necesario.



Conductos

NUNCA extraiga aire ni coloque las terminaciones de los conductos en espacios entre paredes, pasadizos, techos, áticos o garajes.

Todos los escapes deben ser conducidos al exterior.

Use solamente conductos metálicos.

Fije todas las conexiones con tornillos de metal y tape todas las juntas con cinta Silver Tap o cinta aislante certificada.

TAMAÑO DEL CONDUCTO

Extensión máxima del conducto 6" a 3-1/4 x 10	100 pies
Deducción:	
cada codo de 90 utilizado	15 pies
cada codo de 45 utilizado	9 pies
cada 6" a 3-1/4 x 10"	1 pie
transición utilizada	
cada 3-1/4 x 10" a 6	5 pies
transición utilizada	
Tapa de pared lateral con amortiguador	30 pies
Tapa para techo	30 pies

Por ej. -- 1 tapa para techo, codos de 2x90, codo de 1x45
= 30' + 30' + 9' = 69' usado
31' disponible para recorridos de conductos rectos

Se debe usar un conducto redondo de mínimo 6" para mantener la eficiencia máxima del flujo de aire.

Se incluyen conductores flexibles por comodidad, use siempre conductores rígidos de tipo metálico, si están disponibles, para maximizar el flujo del aire.

También use el cálculo (a la izquierda) para calcular el recorrido total del conducto disponible al usar codos, transiciones y topes.

SIEMPRE, de ser posible, reduzca el número de transiciones y giros. Si se trata de un conducto largo, aumente el tamaño del conducto de 6" a 7 u 8".

Si se usa un reductor, instale un reductor largo en lugar de un adaptador reductor. Reduzca el tamaño del conducto tan lejos de la apertura como sea posible.

Si se requieren hacer giros o transiciones: instale lo más lejos posible lejos de la apertura y lo más separado posible entre las dos piezas.

PREPARACIÓN DE LA INSTALACIÓN

- * Enchufe y verifique que todo se encuentre en funcionamiento.
- * Retire el filtro deflector de acero inoxidable y la bandeja de grasa.

HERRAMIENTAS Y MATERIALES NECESARIOS (No incluidos)



Lápiz y cinta métrica



Cinta adhesiva



Pinza/cortacables



Llave



Martillo



Sierra de punta



Nivel



Anteojos de seguridad



Escalera portátil



Taladro eléctrico o con batería y brocas de 1/8", 3/8"



Tuercas para cable



Conducto de metal redondo de 10", longitud para adaptarse a la instalación



Pinza



Tijera para metal



Sierra de sable



Linterna



Destornilladores



Aliviador de tensión para la unión de la cubierta

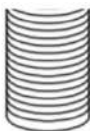


120V 60Hz. 15 o 20 amperes, 2 conductores con tierra. Circuito debidamente conectado a tierra.

ACCESORIOS INCLUIDOS



Adaptador de salida
redondo de 6" con
amortiguador (2x)



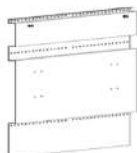
Tubo redondo de 6" (2x)



Placa de calentamiento



Luz de calor infrarroja
(2x)



Soporte de montaje



Protector contra
salpicaduras

SCREWS PROVIDED



Tornillos autorroscantes
M3.5x30mm (18x)



Tornillos autorroscantes M4x12mm
(4x)



Tornillos M4x10mm con arandelas
planas (2x)



Tornillos autorroscantes M4x8mm
(10x)

INSTRUCCIONES DE INSTALACIÓN

- Use un nivel para dibujar la ubicación de la línea central de la cocina. Dibuje la línea hasta la altura del techo.
- Use un nivel para dibujar la ubicación de la superficie de la placa de cocción.

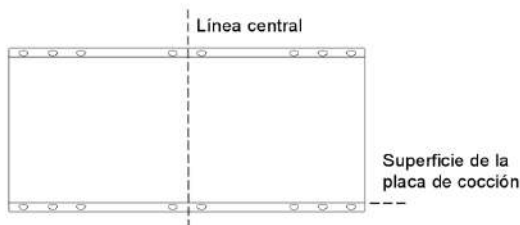
INSTALACIÓN DEL PROTECTOR CONTRA SALPICADURAS

Retire el embalaje.

Coloque el protector contra salpicaduras contra la pared y haga coincidir la línea central y la superficie de la placa de cocción.

Monte el protector contra salpicaduras en la pared a través de los agujeros en la parte superior e inferior utilizando tornillos autorroscantes M3.5x30mm (2x en la parte superior, 2x en la parte inferior)

NOTA: Asegúrese de que los tornillos se instalen lo mejor posible en los montantes verticales de la pared.



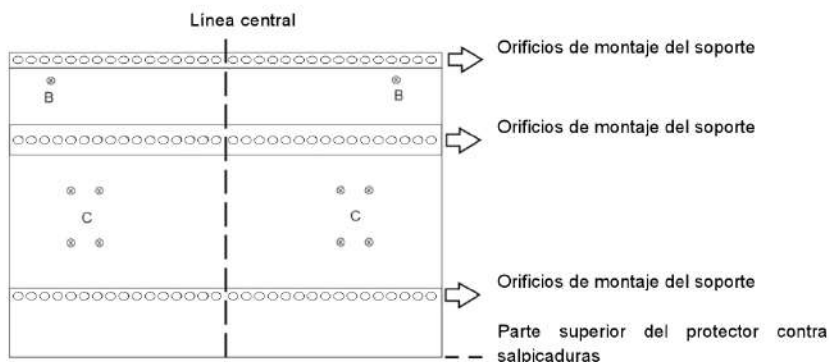
INSTALACIÓN DEL SOPORTE DE MONTAJE EN LA PARED

Retire el embalaje.

Coloque el soporte de montaje contra la pared, alinéelo con la línea central y siéntelo en la parte superior del protector contra salpicaduras.

Use tornillos autorroscantes M3.5x30mm para fijar el soporte a la pared a través del orificio en la parte superior, central, inferior del soporte de montaje (4x en la parte superior, 4x en el centro, 4x en la parte inferior).

NOTA: Asegúrese de que los tornillos se instalen lo mejor posible en los montantes verticales de la pared.



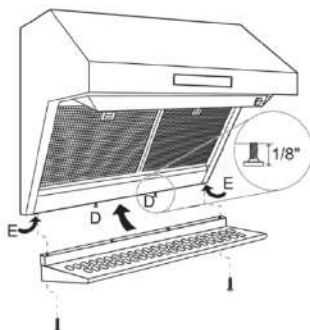
INSTALACIÓN DE LA PLACA DE CALENTAMIENTO A LA CAMPANA EXTRACTORA

- Instale 2x tornillos autorroscantes M4x8mm en los agujeros "D" en la parte inferior del borde de la campana, dejando un espacio de 1/8".

- Retire el embalaje y la película protectora (si corresponde).

- Fije la placa de calentamiento a la parte inferior de la campana insertando la parte superior de los tornillos autorroscantes en las ranuras de ojo de cerradura en la parte superior del estante. Deslice el estante hacia la izquierda para bloquearlo en su lugar.

- Apriete 2x tornillos M4x10mm y arandelas atravesando la parte inferior de la placa al borde de la campana en la posición de "E".



INSTALACIÓN DE LA CAMPANA EXTRACTORA EN LA PARED

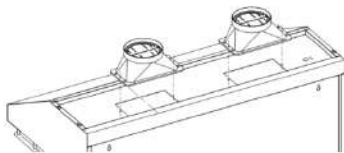
SALTEE ESTE PASO SI LO INSTALA BAJO UN PLAFÓN O ARMARIOS

Instale el adaptador de salida en la parte superior de la campana extractora

IMPORTANTE: Verifique que el amortiguador se mueva libremente

- Coloque el adaptador de salida (2x) sobre el escape de la campana extractora y asegúrelo con 4x tornillos autorroscantes M4x12mm.

- Use cinta adhesiva para sellar la conexión. Verifique que el amortiguador se mueva libremente.



Colgar la campana extractora en el soporte de montaje

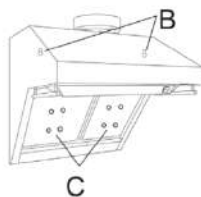
Levante la campana y sosténgala cerca del soporte de montaje. Alinee los agujeros de montaje en la posición "B".

Asegúrese de que la cabeza del tornillo en el soporte se enganche en las ranuras del ojo de la cerradura en la parte posterior de la campana. Deslice hacia abajo la campana para que quede colgada correctamente en el soporte.

Apriete los tornillos en la posición "B".

Asegúrese de que la campana esté nivelada y centrada. 8 agujeros en las posiciones "C" deben alinearse correctamente con los agujeros del soporte.

Instale los tornillos autorroscantes de 8xM4x8mm a través de la parte posterior de la campana en las posiciones "C" y apriételes al soporte de montaje.

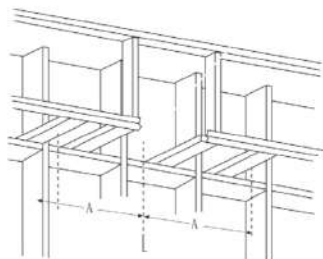


INSTALACIÓN DE LA CAMPANA DEBAJO DE LOS ARMARIOS O PLAFÓN SALTEE ESTE PASO SI UTILIZA EL MÉTODO DE MONTAJE EN PARED

Se requiere una apertura mínima de 10-1/2" para la instalación de los conductos y de la campana.

Si es necesario, la campana puede instalarse de modo que sea soportada por el plafón.

- El plafón debe construirse con 2x4.
- Determine en la pared la ubicación de instalación.
- Continúe la línea central hacia adelante en la parte inferior del gabinete o plafón.
- La abertura sobre la campana debe permitir ubicar el conducto redondo de 10" y dejar un espacio libre para deslizar la campana extractora contra la pared.



- Los pernos de 2 x 4 deben ubicarse como se muestra en la tabla, Dim.A para aceptar los tornillos de montaje.

	"A" Línea central a las vigas y ojo de cerradura	"F" Ancho de la campana en la parte superior
48"	23-9/16"	47-15-16"
36"	17-9/16"	35-15/16"
30"	14-9/16"	29-15/16"



Parte posterior de la campana

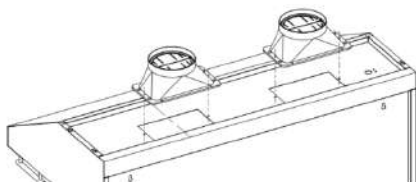
- Taladre agujeros piloto de 1/8" en los pernos en los lugares que se muestran en la ilustración de la vista superior.

IMPORTANTE: el marco de plafón debe ser capaz de soportar hasta 150 libras.

Instale el adaptador de salida en la parte superior de la campana.

IMPORTANTE: Verifique que el amortiguador se mueva libremente

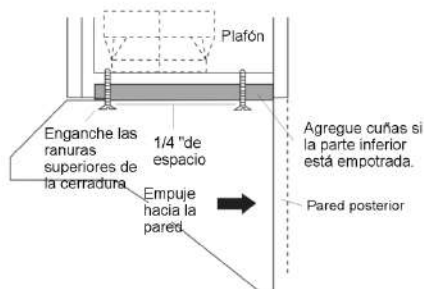
- Coloque el adaptador de salida (2x) sobre el escape de la campana y asegúrelo con 4x tornillos autorroscantes M4x12mm
- Use cinta adhesiva para sellar la conexión. Verifique que el amortiguador se mueva libremente.



INSTALACIÓN DE LA CAMPANA SOBRE LOS ARMARIOS O PLAFÓN

Nota: Si se monta en la parte inferior de un armario con un fondo empotrado, instale cuñas para llenar el espacio.

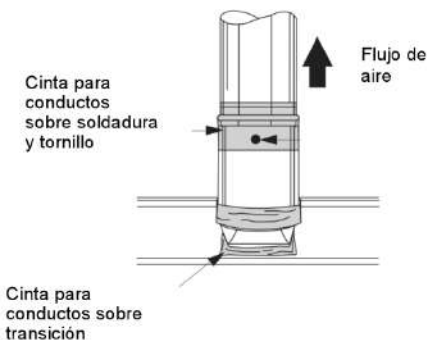
- Introduzca los tornillos de montaje en los pernos hasta que sobresalgan 1/4 ". Este espacio de 1/4" proporcionará el lugar para enganchar las ranuras de cerradura en la parte superior de la campana.
- Levante y coloque la campana a la posición de instalación.
- Levante la campana sobre los tornillos de montaje. Deslice hacia atrás contra la pared posterior.
- Ajuste los tornillos de montaje.



IMPORTANTE: Para un soporte adicional y para minimizar la vibración durante el funcionamiento, la campana debe estar asegurada a la pared posterior. Use anclajes de pared para sujetar la parte inferior de la campana a la pared.

CONEXIÓN DEL CONDUCTO

- Instale el conducto, haciendo conexiones en dirección del flujo de aire como se ilustra a continuación.
- Envuelva todas las juntas de los conductos con cinta adhesiva para un sellado hermético.
- Use cinta adhesiva para sellar la conexión del borde. Alcance el regulador dentro de la campana y empujelo hacia arriba para asegurarse de que se mueva libremente.



INSTALACIÓN DE LOS FILTROS

- Vuelva a montar la bandeja de grasa y los filtros deflectores en la campana.

Conexión eléctrica

* El cableado eléctrico debe ser realizado por personas calificadas de acuerdo con todos los códigos y estándares aplicables.

Corte el suministro de energía eléctrica antes de realizar el cableado.

* Si el cable de alimentación está dañado, debe ser reemplazado por el fabricante, su agente de servicio o personal calificado para evitar cualquier riesgo.

* No utilice un enchufe ni un cable de extensión que no sean los que se suministraron inicialmente con la campana extractora.

* La conexión a tierra de esta campana es obligatoria. No retire la toma a tierra del enchufe. Evitar el riesgo de incendio, descarga eléctrica o lesiones a personas, por limpieza y mantenimiento por parte del usuario, como la lubricación.

Desconectar el aparato de la fuente de alimentación antes de realizar el mantenimiento.

FUNCIONAMIENTO



K1: Botón de encendido

Cuando la campana extractora está encendida, presione el botón K1 para operar el Temporizador de Retardo de Apagado. El tiempo de funcionamiento del temporizador es de 15 minutos, la campana extractora se apagará cuando el tiempo llegue a 0. Si presiona el botón K1 nuevamente, la campana extractora se apagará.

Cuando la campana extractora esté apagada, presione y mantenga presionado el botón K1 durante 3 segundos para ingresar al modo ajuste del reloj, presione el botón de aumento K4 y/o el botón de disminución K3 para ajustar la hora. Puede presionar el botón K1 nuevamente para ajustar los minutos, y también presionar el botón de aumento K4 y el botón de disminución K3 para ajustar los minutos.

K2: Botón de luz

Presione este botón para encender la luz y una segunda vez para apagarla.

K3, K4: Botón de disminución y botón de aumento

Presione estos dos botones para ajustar la velocidad cuando la campana esté encendida, o para ajustar el tiempo cuando la campana extractora está en modo reloj.

MANTENIMIENTO Y LIMPIEZA:

Mantenimiento de la superficie

Limpie periódicamente con agua caliente con jabón y un paño de algodón limpio. No utilice detergentes corrosivos o abrasivos (p. Ej., polvo exfoliante, limpiador de horno EZ-Off) ni esponjas de lana de acero que puedan rayar y dañar la superficie.

Para suelos más pesados, utilice desengrasante líquido como el limpiador de marca "Formula 409" o "Fantástico".

Después de la limpieza, puede usar limpiadores / pulidores de acero inoxidable no abrasivos como 3M o ZEP, para pulir y sacar el brillo del acero inoxidable. Frote siempre ligeramente, con un paño de algodón limpio.

Filtros deflectores de acero inoxidable:

Los filtros instalados por fábrica están destinados a filtrar residuos y grasa de la cocción. No es necesario reemplazarlos regularmente, pero deben mantenerse limpios.

Los filtros deben limpiarse cada 30 horas de uso.

Retírelos y límpielos a mano en un recipiente con agua caliente y jabón. El filtro también es apto para lavavajillas.

Si el filtro está muy sucio, rocíelo con "Formula 409" o un detergente desengrasante equivalente y déjelo en remojo.

Seque los filtros y vuelva a instalarlos antes de usar la campana.

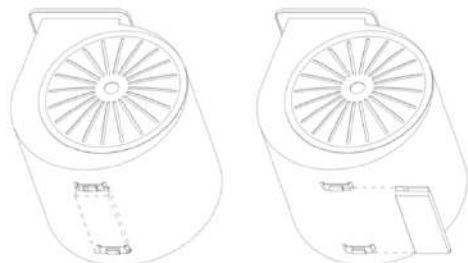
Copa de aceite

La copa de aceite se debe limpiar a menudo según el volumen de aceite en la copa.

Límpiala a mano en un recipiente con agua caliente y jabón.

Si está muy sucia, rocíe "Formula 409" o un detergente desengrasante equivalente y déjela en remojo.

Deslice la copa de aceite hacia afuera / adentro de la ranura de la parte inferior del bloque



Limpieza de la campana

La saturación de residuos grasos en el ventilador y los filtros puede aumentar la inflamabilidad. Mantenga la unidad limpia y libre de grasa y acumulación de residuos en todo momento para evitar posibles incendios.

Los filtros deben limpiarse periódicamente y sin acumulación de residuos de cocción (consulte las instrucciones de limpieza interior). Los filtros viejos y desgastados deben reemplazarse de inmediato. No haga funcionar los ventiladores cuando se quitan los filtros. Nunca desarme las piezas para limpiarlas sin las instrucciones adecuadas. Se recomienda que el desmontaje sea realizado solo por personal calificado. Llame a nuestro centro de servicio para obtener instrucciones en caso de tener que desecharlo.

El acero inoxidable es uno de los materiales más fáciles de mantener limpios. Un cuidado frecuente ayudará a preservar su buena apariencia.

Consejo de limpieza:

- * Agua caliente con jabón o detergente es todo lo que generalmente se necesita.
- * Enjuague con agua limpia. Seque con un paño limpio y suave para evitar marcas de agua.
- * Para decoloraciones o depósitos que persisten, use un limpiador doméstico que no raye o un polvo para pulir acero inoxidable con una pequeña cantidad de agua y un paño suave.
- * Para manchas difíciles, use una esponja de plástico o un cepillo de cerdas suaves junto con un limpiador y agua. Frote ligeramente en la dirección de las líneas de pulido o "grano" del acabado inoxidable. Evite ejercer demasiada presión que pueda dañar la superficie.
- * No deje que los depósitos permanezcan durante mucho tiempo.
- * No utilice esponja de acero ordinaria o cepillos de acero. Pequeñas partes del acero pueden adherirse a la superficie y causar óxido.

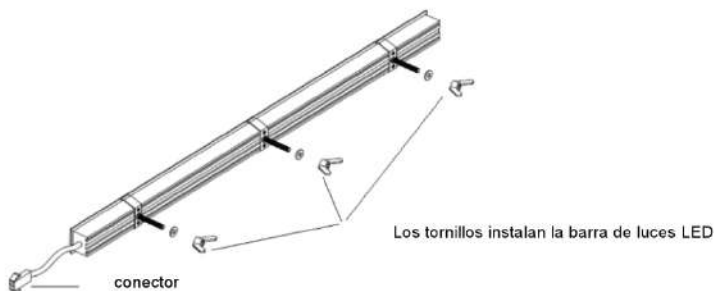
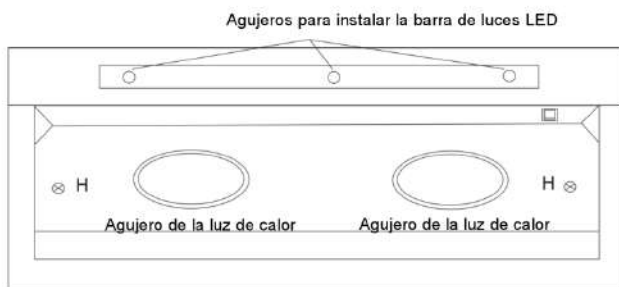
* No permita que soluciones salinas, desinfectantes, blanqueadores o compuestos de limpieza permanezcan en contacto con el acero inoxidable por un periodo prolongado. Muchos de estos compuestos contienen químicos que pueden ser dañinos. Enjuague con agua después de la exposición y seque con un paño limpio.

* Las superficies pintadas deben limpiarse solo con agua tibia y detergente suave.

LUZ

ADVERTENCIA

Asegúrese de que las luces se hayan apagado durante algún tiempo y que la fuente de alimentación se haya desconectado antes de reemplazar cualquier bombilla de luz. Tenga en cuenta que la luz se seguirá percibiendo durante un breve período de tiempo después de apagarse.



Cómo reemplazar la luz LED de rayas

Paso 1: Retire el panel de luz con tornillos en la ubicación "H"

Nota: Tenga mucho cuidado y asegúrese de no dañar la campana extractora

Paso 2: gire los tres tornillos en sentido antihorario ubicados en la parte posterior de la luz LED

Paso 3: retire la luz LED a través del conector

Reemplace la nueva barra de luces LED con conector e instale tres tornillos ajustándolos en sentido horario, fije el panel de luz en la campana con los tornillos en la ubicación "H"

Cómo instalar la luz de calor

Coloque la luz en el soporte de la luz, gire en sentido horario para ajustarla. Gire la luz de calor en sentido antihorario para desmontarla.

ADVERTENCIA

PRECAUCIÓN-SUPERFICIE CALIENTE

Lámpara de calor, clasificada 120 VCA, 220 W

Desconectar de la fuente de energía antes de instalar la luz

PRECAUCIÓN: NO TOQUE LAS UNIDADES DE SUPERFICIE O LAS ÁREAS CERCA DE LAS UNIDADES: las unidades de superficie pueden estar calientes, aunque sean de color oscuro. Las áreas cercanas a las unidades de superficie pueden calentarse lo suficiente como para causar quemaduras. Durante y después del uso, no toque ni permita que la ropa u otros materiales inflamables entren en contacto con las unidades de superficie o áreas cercanas a las unidades hasta que hayan tenido tiempo suficiente para enfriarse. Entre estas áreas se encuentran (identificación de áreas, por ejemplo) la placa de cocción y las superficies orientadas hacia la placa de cocción.

Solución de problemas

Mi campana extractora funciona, pero el aire se mueve más lentamente de lo habitual.

Verifique la acumulación del filtro y límpielo o reemplácelo si es necesario. Si la dificultad persiste, verifique si hay obstrucciones en los conductos. Una obstrucción común es la acumulación en el techo o en la campana de la pared, como nidos de pájaros u otros escombros.

¿Qué es el aire de compensación?

Cuando la campana extractora de la cocina ventila el aire fuera de la habitación, el aire evacuado debe ser reemplazado, esto se llama aire de compensación. En este momento, no proporcionamos unidades de aire de compensación. NOTA: siempre consulte todo lo que se aplica a los códigos de construcción en su área con respecto a los caudales mínimos y máximos de aire. Algunos estados/provincias pueden requerir artículos adicionales como aire de compensación para campanas con CFM más altos (generalmente más de 300 CFM).

Mi campana extractora no funcionará.

1. Verifique que haya energía en la campana de la cocina. El problema más común es que el disyuntor esté apagado o que el fusible haya explotado.
2. Asegúrese de que la velocidad haya sido seleccionada en los controles de la campana.
3. Apague la alimentación de la campana y verifique que todos los cables estén correctamente conectados.

Mi campana extractora hace un ruido de clic.

Esto probablemente se atribuye a uno de los siguientes elementos:

1. El motor está flojo: apague la alimentación y retire el filtro y verifique que todos los tornillos estén bien sujetos y apretados alrededor del motor. et retirez le filtre et vérifiez que toutes les vis sont bien fixées
2. La conexión del conducto está floja: apague la alimentación de la unidad y verifique que la conexión del conducto al tubo esté sellada. Verifique si es necesario agregar cinta adhesiva.

Mi campana extractora no tiene potencia.

1. Verifique las conexiones eléctricas.
2. Verifique que todas las conexiones en la placa de circuito estén seguras.
3. Si el problema persiste, póngase en contacto con el soporte técnico de Forno.

Mi campana extractora no extrae aire.

- ¿Se ha conectado la unidad y se ha comprobado el ventilador antes de la instalación?
- ¿A qué distancia se ha montado la campana extractora sobre la cocina?
- ¿Es el ancho de la campana el tamaño correcto para la parte superior de la cocina?
- ¿Tiene la campana suficiente CFM en comparación con su cocina de gas o cocina eléctrica?
 - Salida de BTU por quemador/100 - para gas.
 - Potencia de salida por quemador/10 - para eléctrico.

