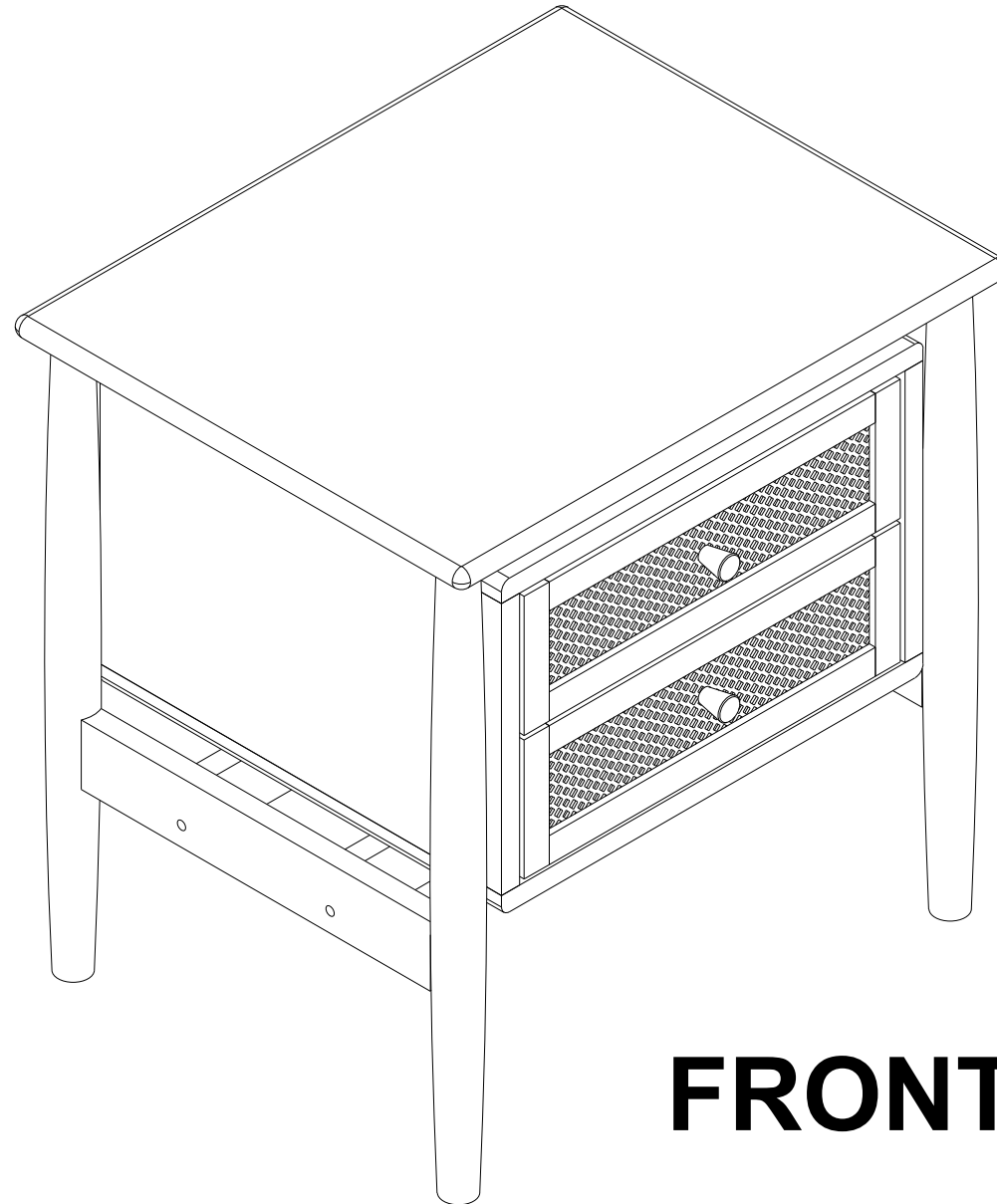


ASSEMBLY INSTRUCTION

SW 8000-86NS

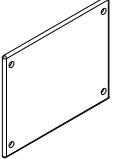

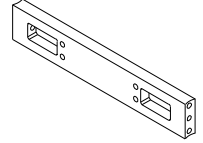
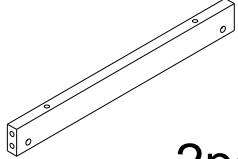
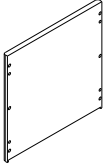
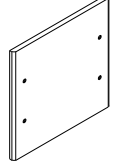
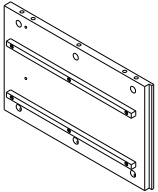
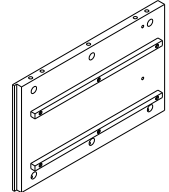
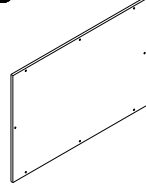
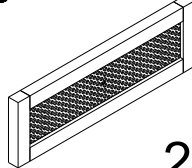
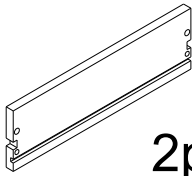
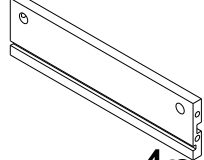
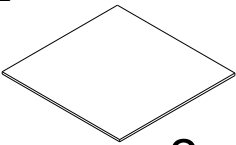
REAR



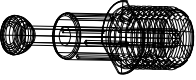



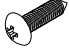


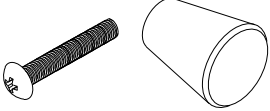

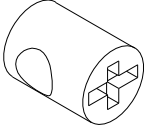
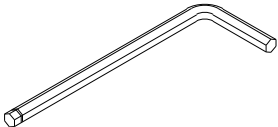
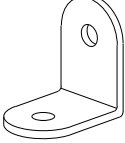
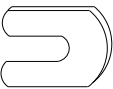
FRONT



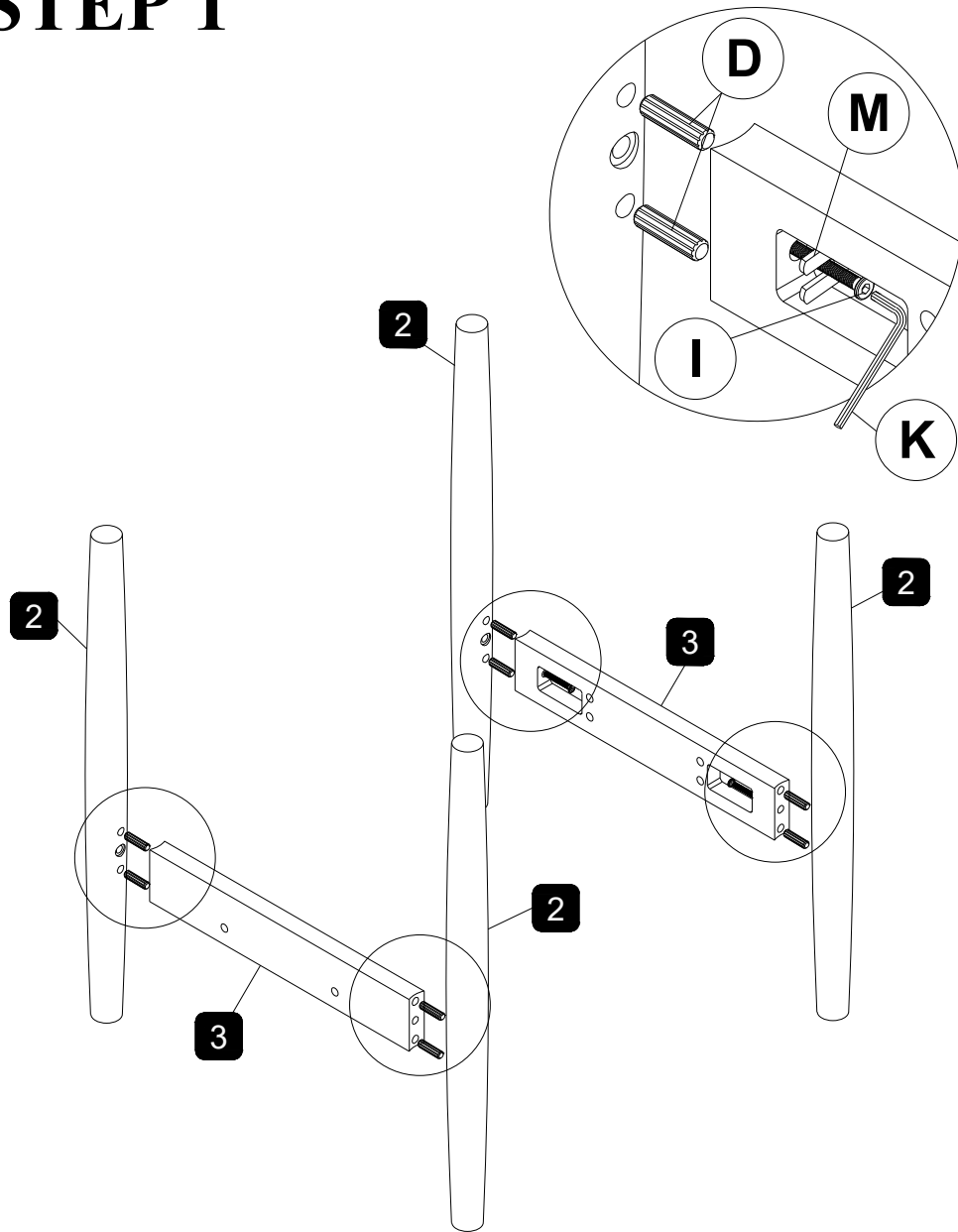
PART LIST

1 Table Top  1pc	2 Post  4pcs	3 Support Rail  2pcs	4 Bottom Rail  2pcs	5 Upper panel (Box)  1pc	6 Bottom Panel (Box)  1pc
7 Side Panel (Left)  1pc	8 Side Panel (Right)  1pc	9 Back Panel  1pc	10 Drawer Front Panel  2pcs	11 Drawer Back Panel  2pcs	12 Drawer Side Panel  4pcs
13 Drawer Base Panel  2pcs					

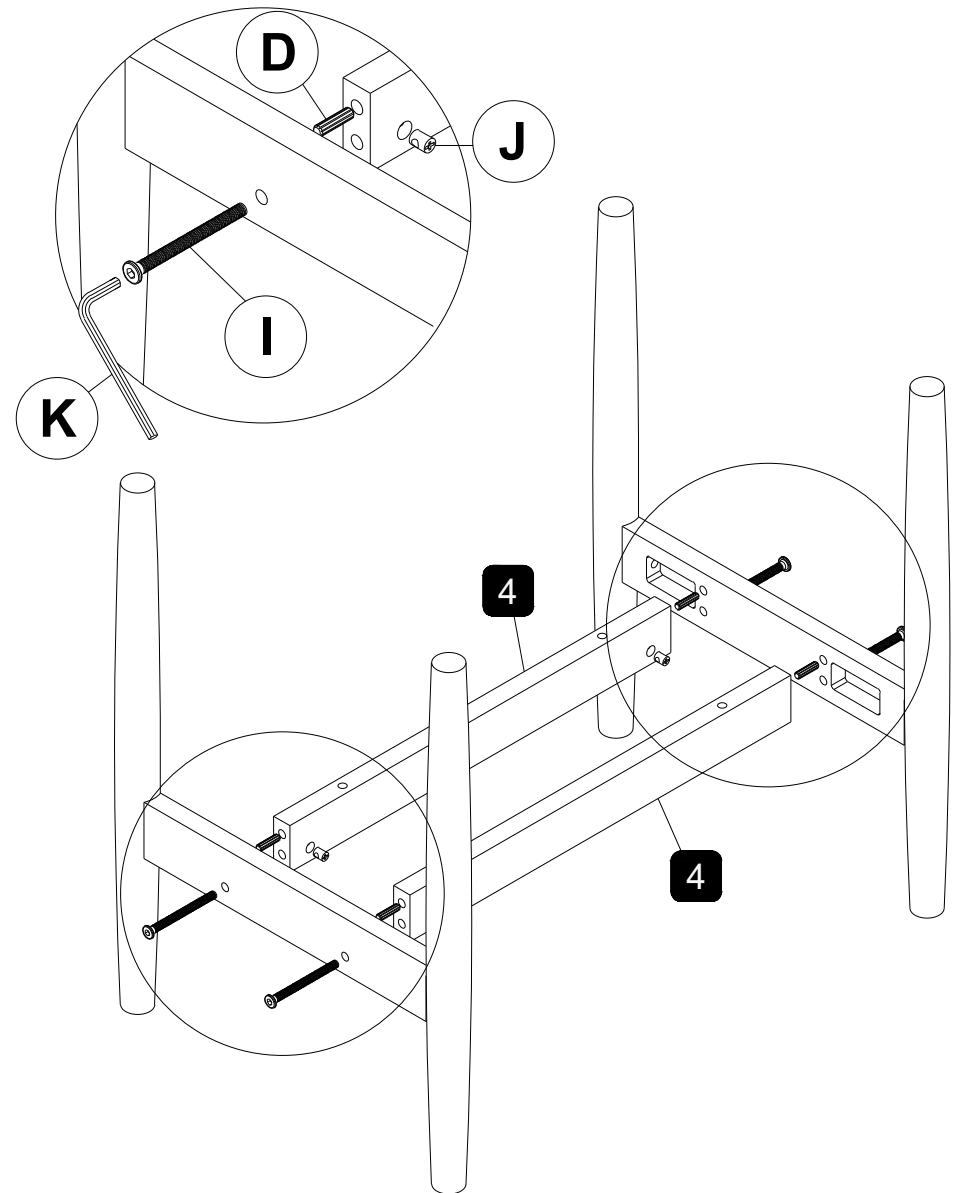
HARDWARE LIST


<p>A MINI FIX SPREADING BOLT 24MM</p>  <p>20pcs</p>	<p>B MINIFIX HOUSING Ø15*12MM</p>  <p>12pcs</p>	<p>C MINIFIX HOUSING Ø15*10MM</p>  <p>8pcs</p>	<p>D WOOD DOWEL M8*30MM</p>  <p>28pcs</p>	<p>E PAN HEAD M3.5*16MM</p>  <p>8pcs</p>	<p>F CSK SCREW M3.5*16MM</p>  <p>8pcs</p>
<p>G SHELF SUPPORT</p>  <p>4pcs</p>	<p>H HANDLE</p>  <p>2sets</p>	<p>I JCBC M6X50MM</p>  <p>12pcs</p>	<p>J Barrel Nut</p>  <p>4pcs</p>	<p>K M4 ALLEN KEY WITH BALL</p>  <p>1pcs</p>	<p>L L bracket</p>  <p>4pcs</p>
<p>M U WASHER</p>  <p>4pcs</p>					

STEP 1




STEP 2




 D X 8pcs

 I X 4pcs


 K X 1pc

 M X 4pcs

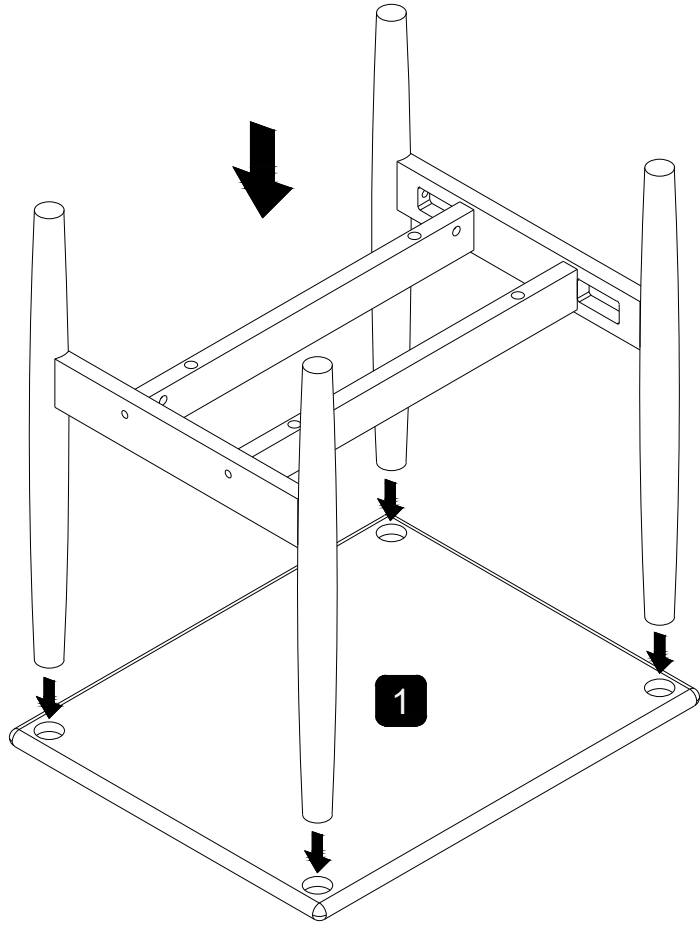
 D X 4pcs

 I X 4pcs

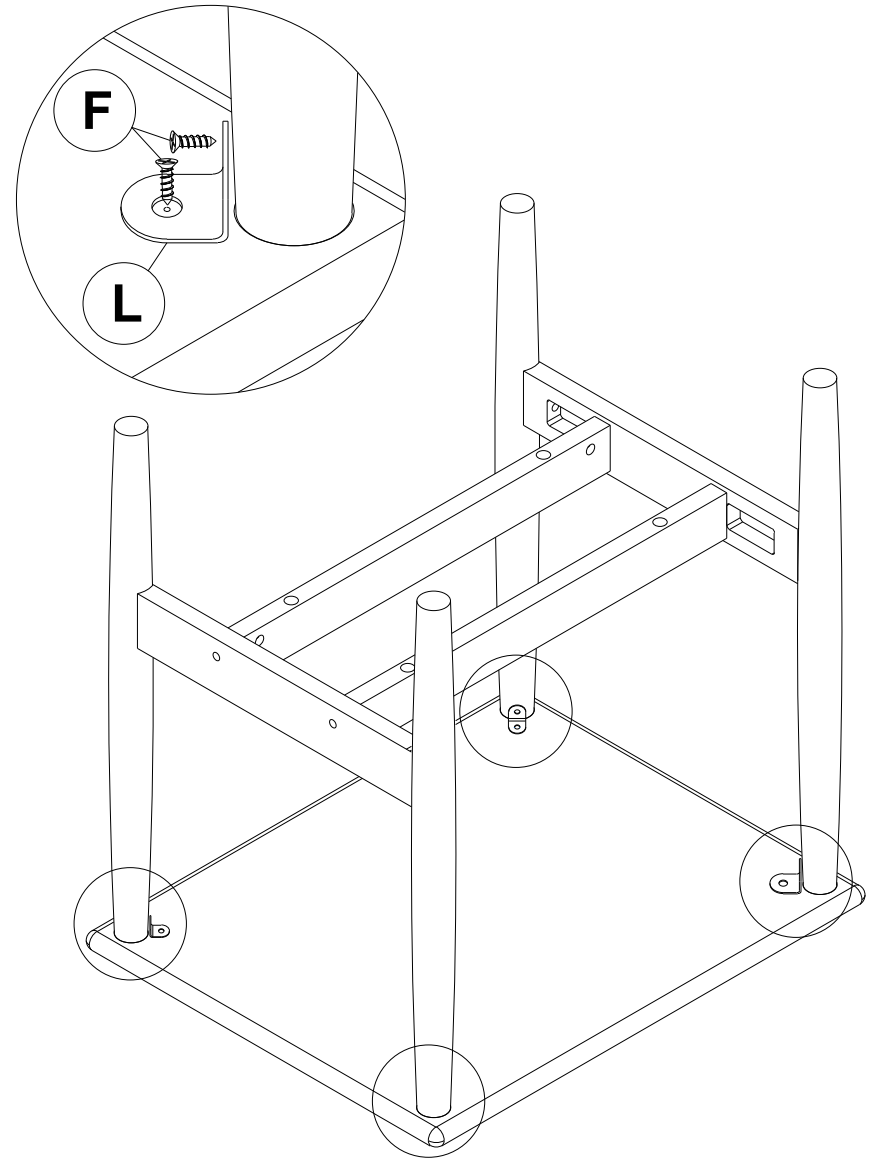
 J X 4pcs


 K X 1pc

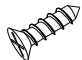
STEP 3



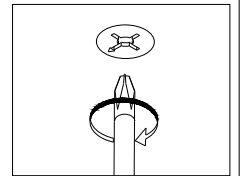
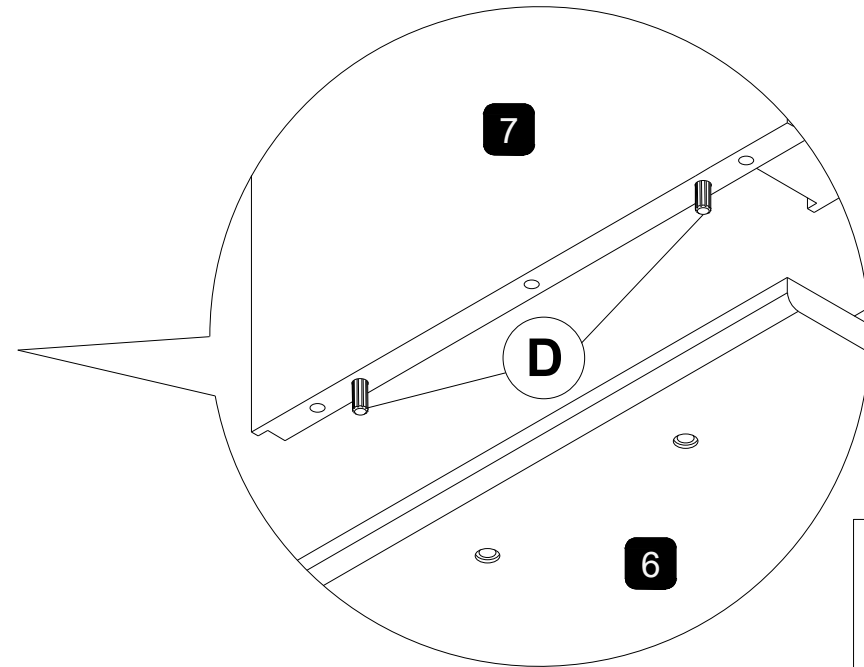
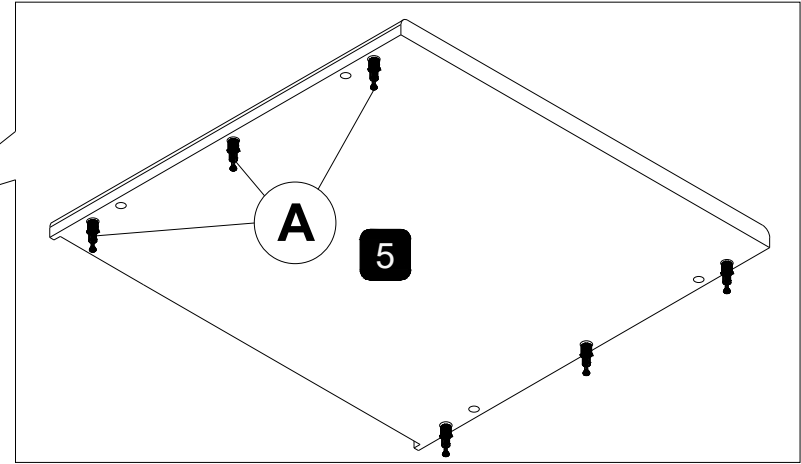
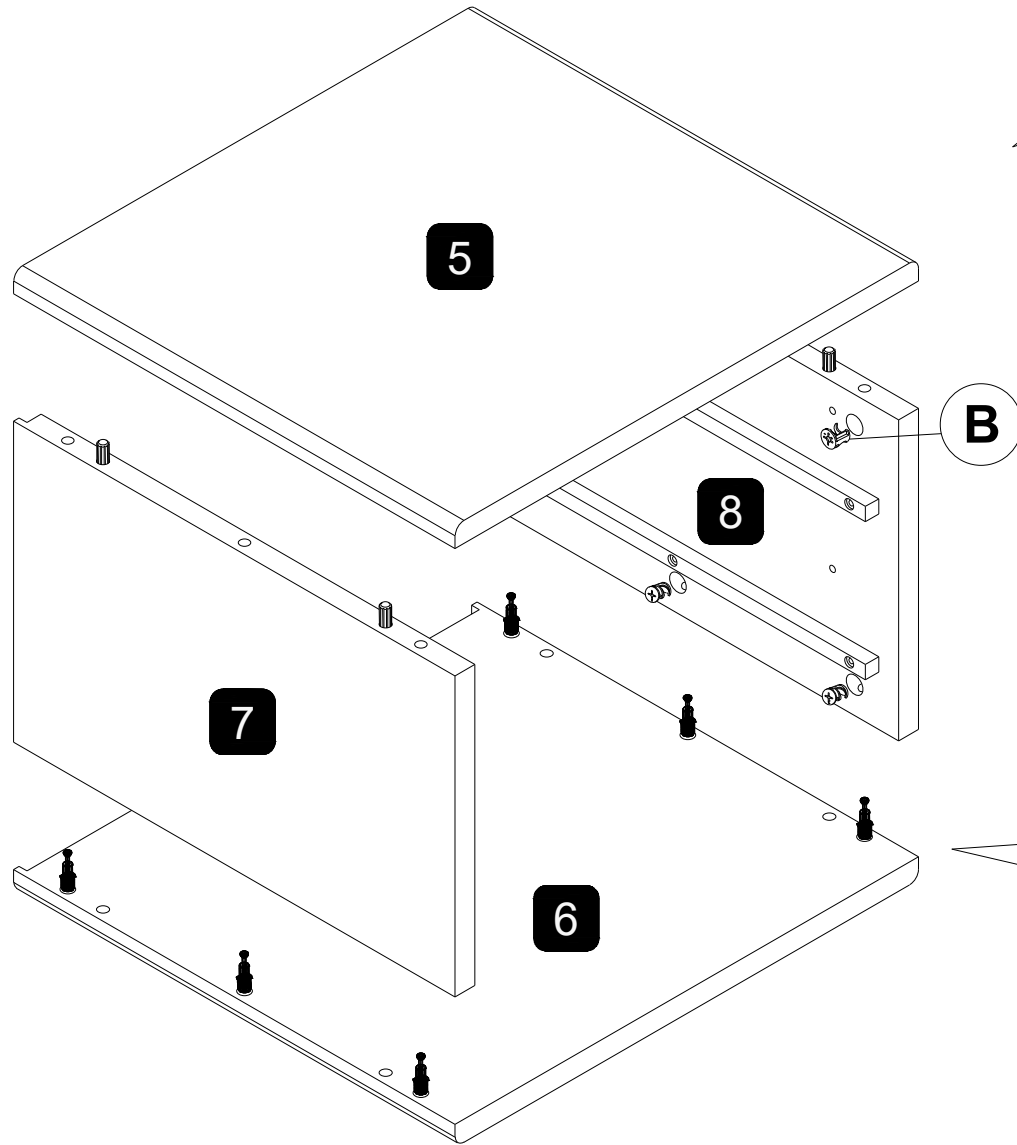
STEP 4




L X 4pcs


F X 8pcs

STEP 5



A X 12pcs

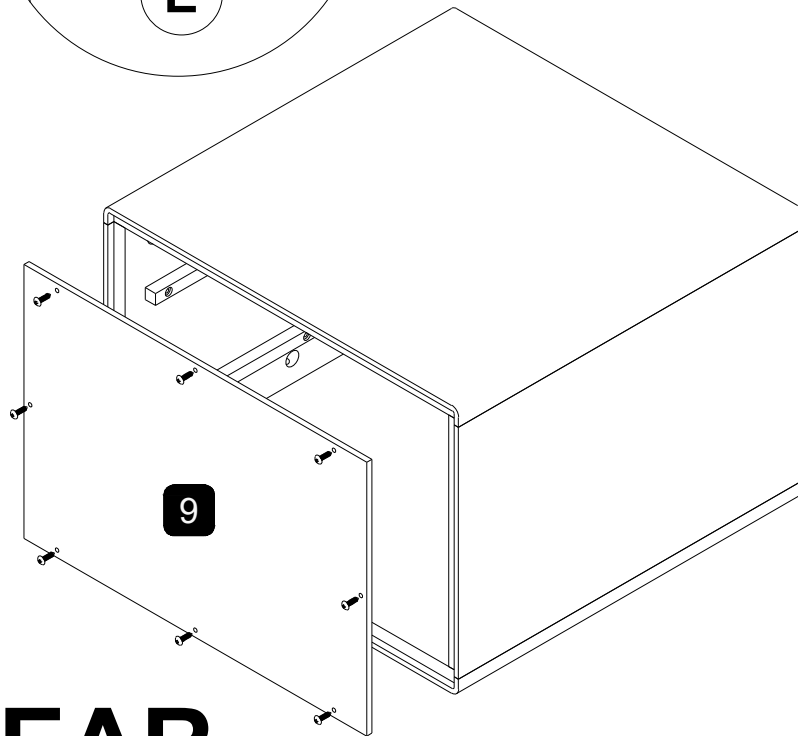
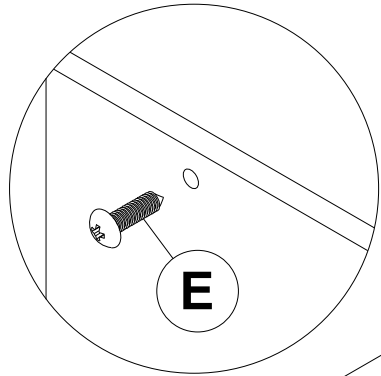


B X 12pcs



D X 8pcs

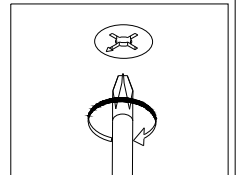
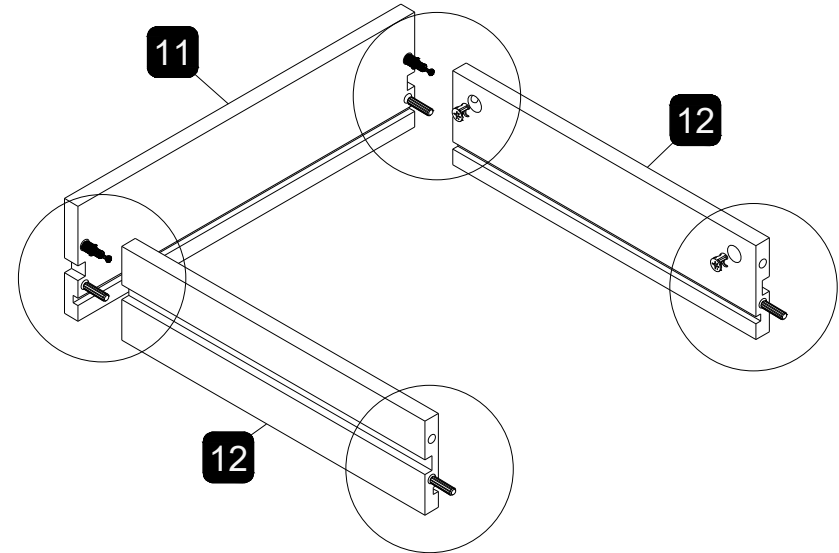
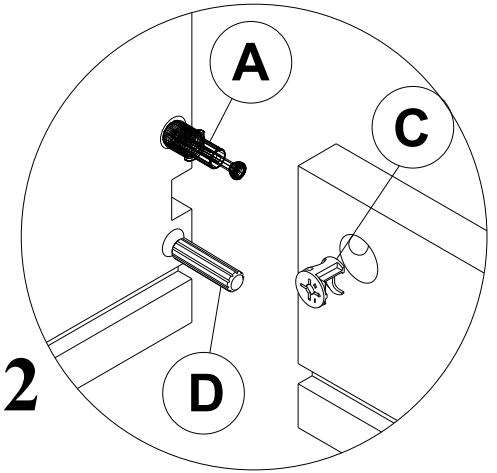
STEP 6




REAR

STEP 7


DRAWER X 2



 E X 8pcs

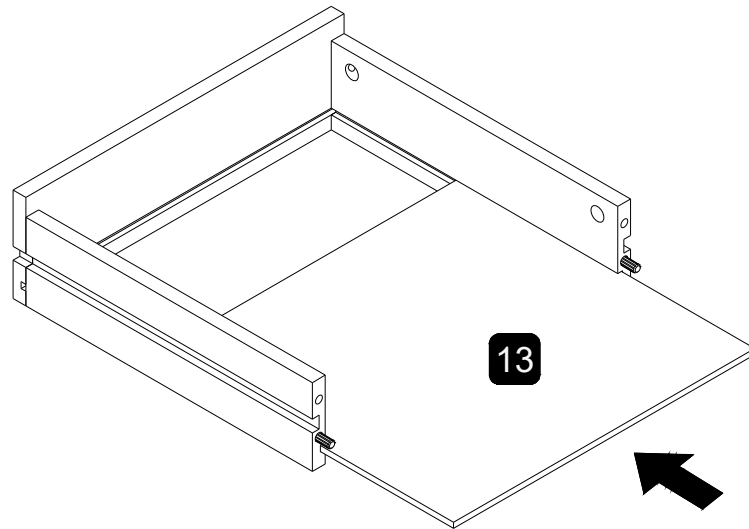
 A X 4pcs

 C X 8pcs

 D X 8pcs

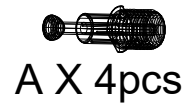
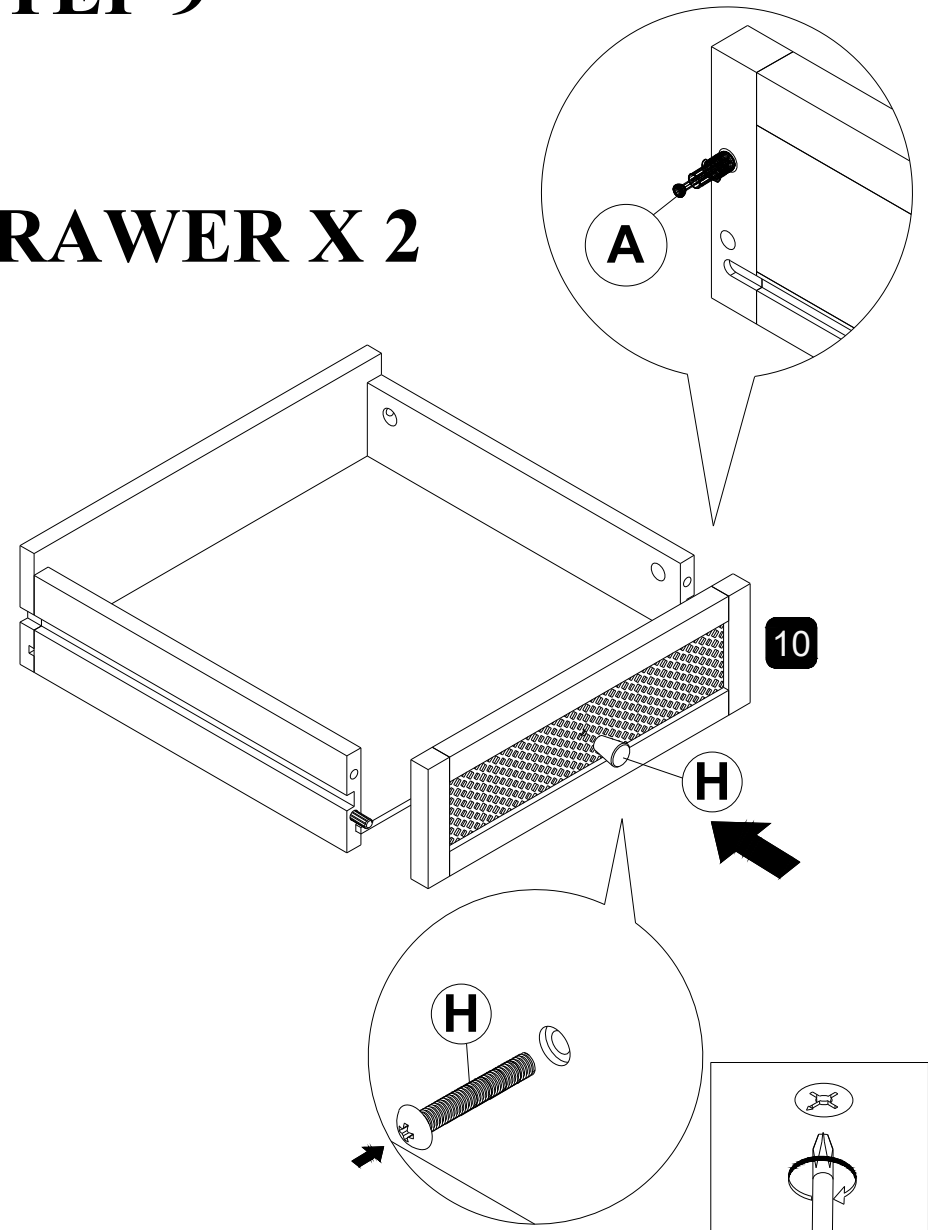
STEP 8

DRAWER X 2

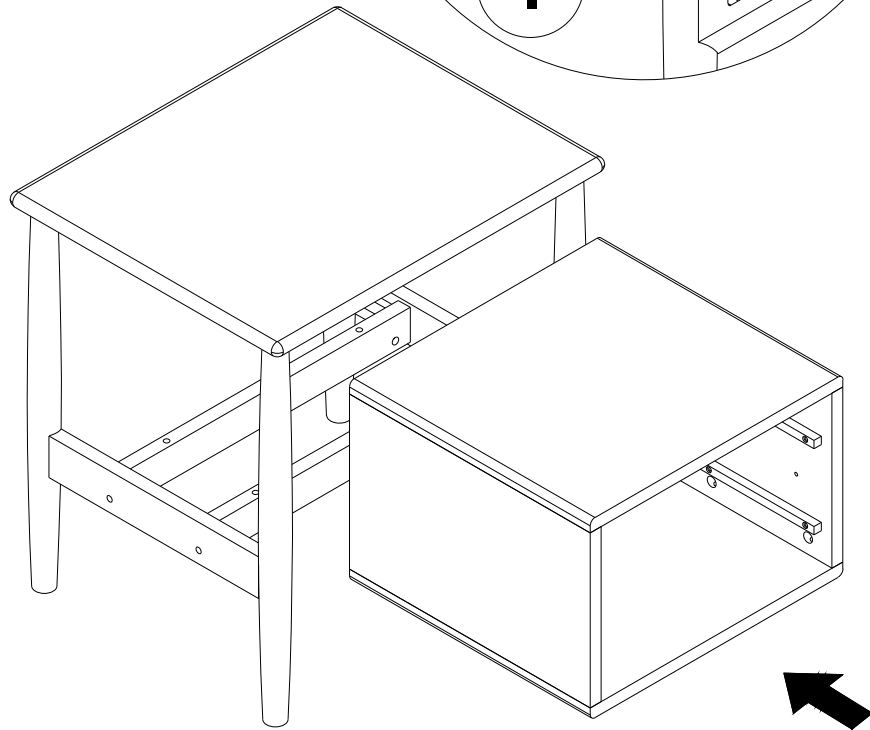
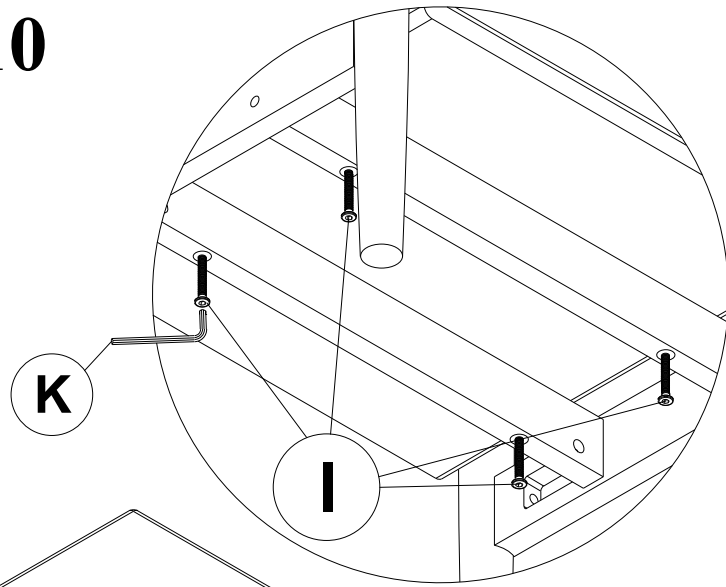


STEP 9

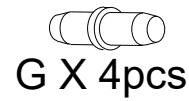
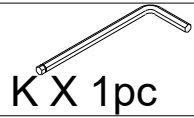
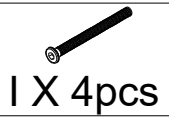
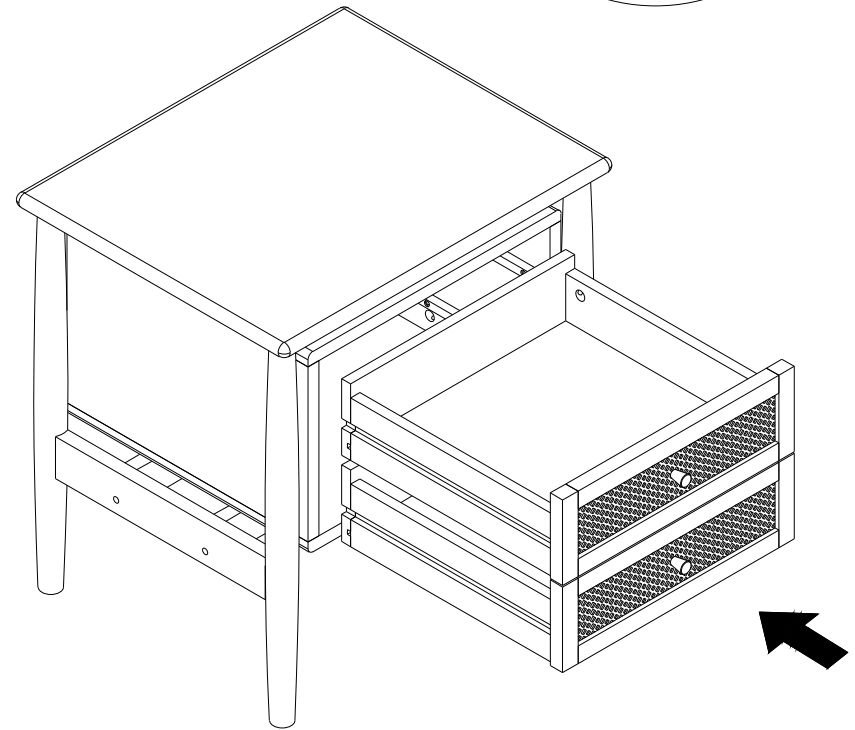
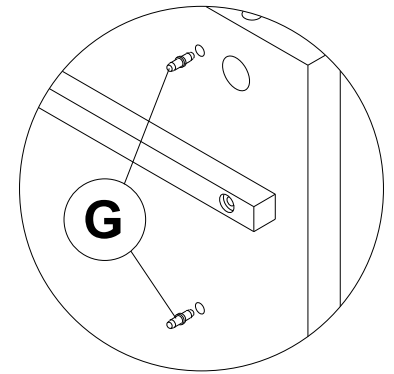
DRAWER X 2



STEP 10



STEP 11



ASSEMBLY COMPLETE

