

# OTR316XU



Product family	Microwave oven
Category	Built-in
Installation type	Built-in
Power source	AC
Cooking Method	Microwave
Oven controls	Electronic




## Program / Functions

Number of functions      7

## Controls

	<b>Display</b>	1 LED	<b>Opening</b>	Side opening
	<b>Controls</b>	Touch controls		

## Options

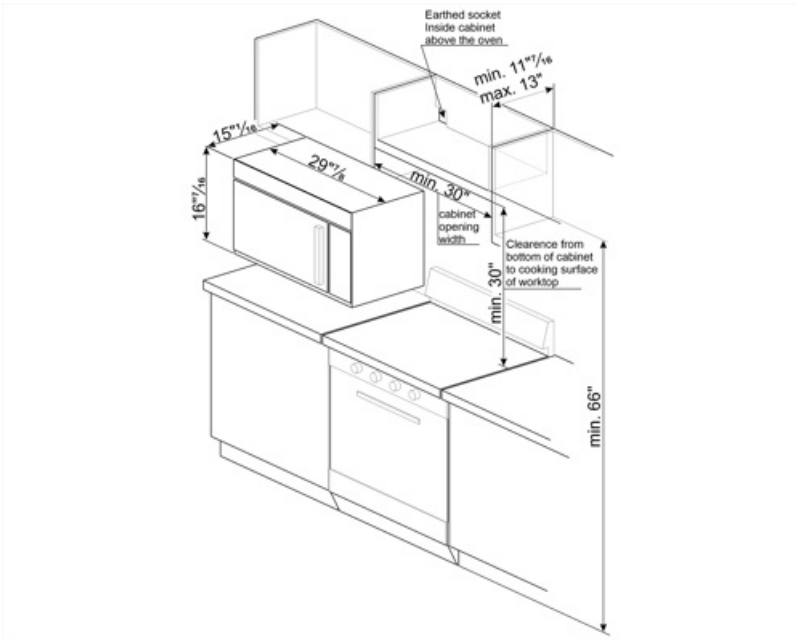
	<b>Child safety lock</b>	Yes
--	--------------------------	-----

## Technical Features

<b>No. of lights</b>	2	<b>Turntable dimensions</b>	13 9/16 "
<b>Lighting</b>	Halogen	<b>Microwave effective power</b>	1000 W
<b>Turntable</b>	Yes		

## Electrical Connection

<b>Current</b>	15 A	<b>Frequency</b>	60 Hz
<b>Voltage</b>	120 V		



---

## Symbols glossary

---



Child lock: some models are fitted with a device to lock the programme/cycle so it cannot be accidentally changed.



Microwave energy shortens cooking times dramatically and produces energy savings.



Touch controls: Easy to use touch controls allow the appliance to be programmed at the touch of a button.