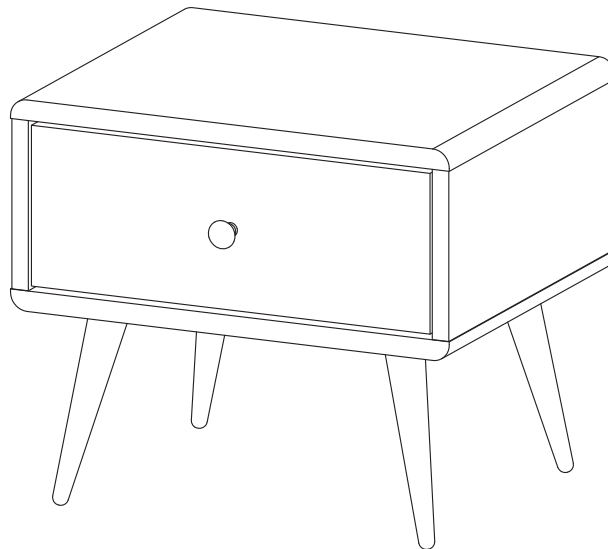


Thank you for purchasing the **MODWAY Night Stand** !

Before you start, here are some helpful advice:

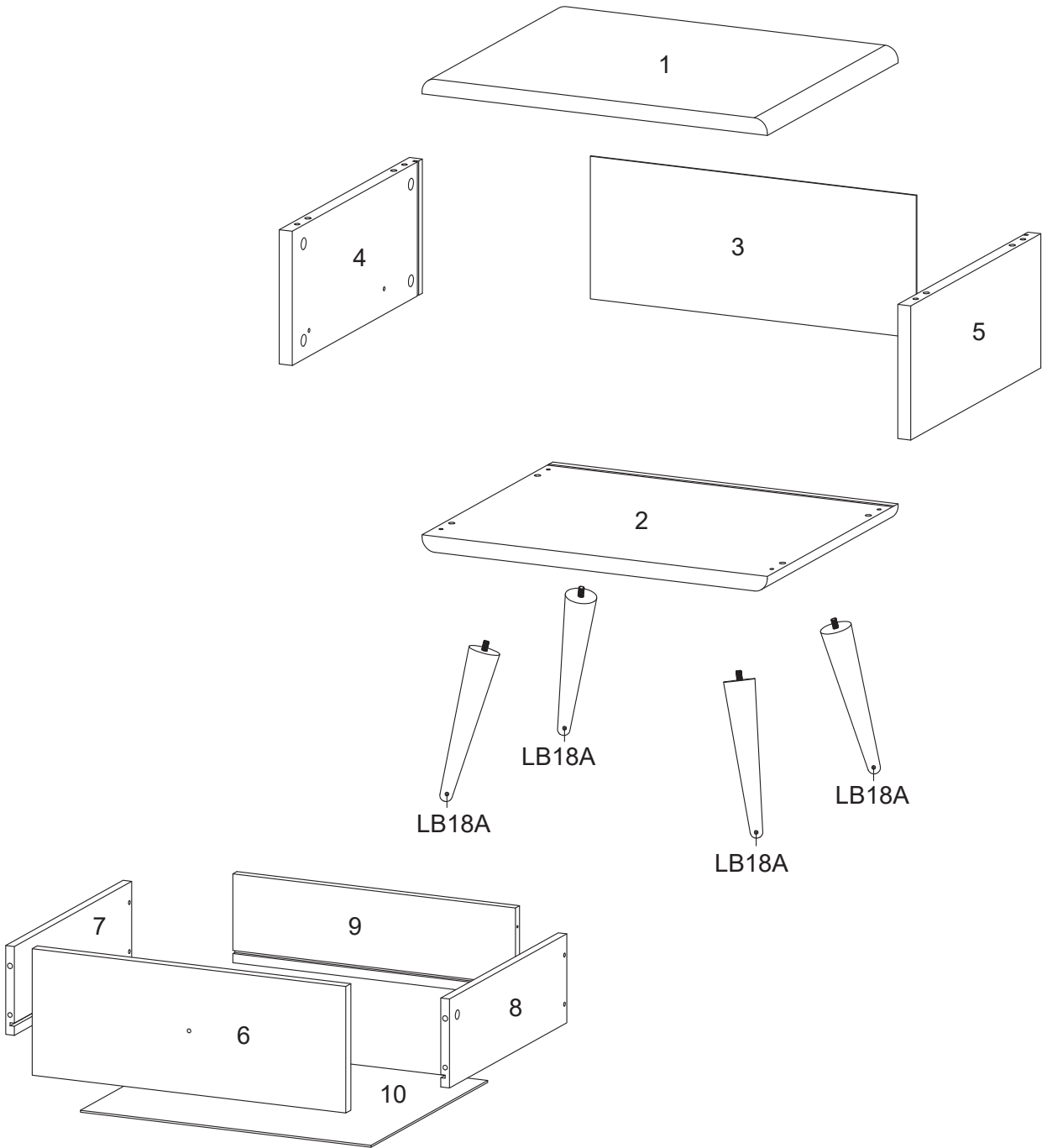
1. We suggest you spend a short time reading through this leaflet and then follow the simple step-by-step instructions.
2. Owing to the size and weight of the night stand, we recommend that it is assembled by two adults, on a carpeted or padded area, in the room that it is intended for. Approximate assembly time: 60 minutes.
3. Please do not use any tools other than those provided or recommended in these instructions.
4. Please do not throw away any of the packaging or instructions until you have checked all the components and hardware and the furniture is fully assembled.
5. Assemble all components loosely until advised to tighten. Depending on use, it may be necessary to tighten the components from time to time, so please save the tools that have been provided.
6. Please keep all pieces out of reach of children.



Hardware :

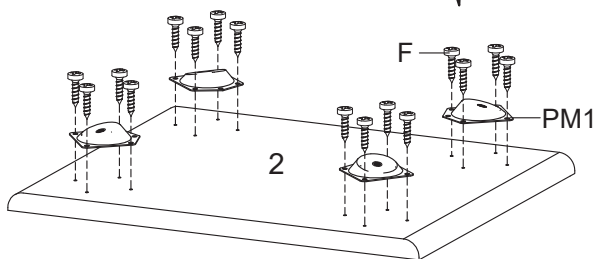
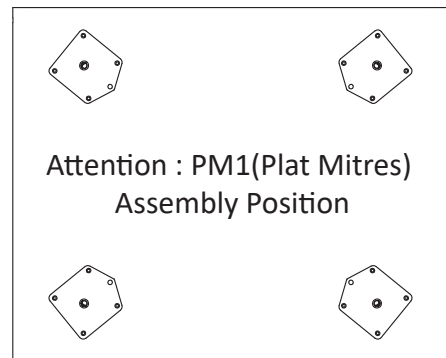
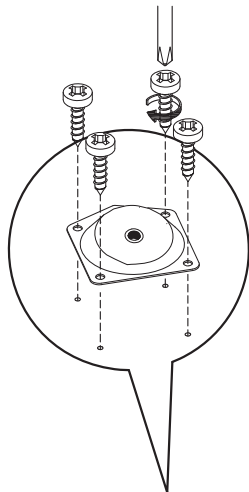
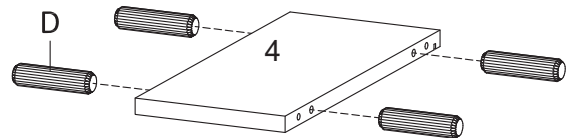
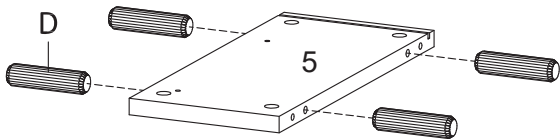
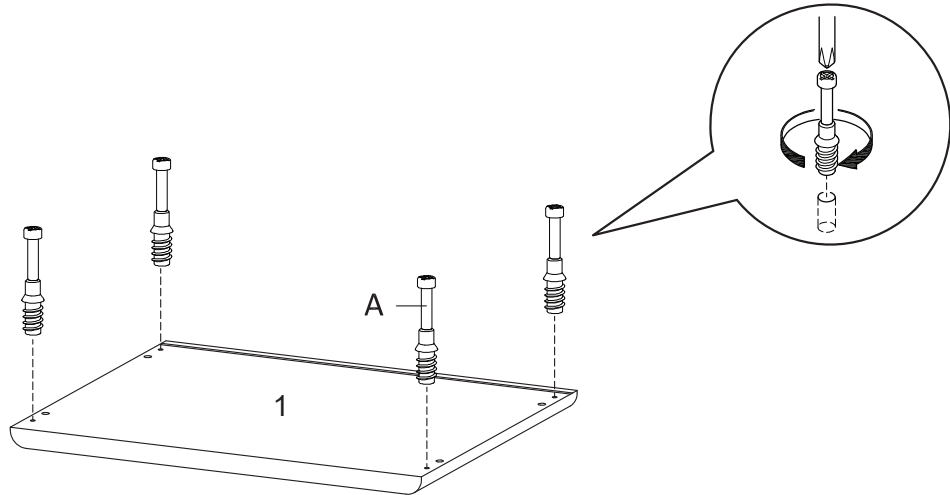
A) Cambolt/Metal \varnothing 6 x 35 mm x 10	B) CamLock/Metal \varnothing 15 mm x 8	C) CamLock/Metal \varnothing 12 mm x 2	D) Dowel/Wood \varnothing 8 x 30 mm x 8	E) Dowel/Wood \varnothing 6 x 30 mm x 2
F) Screw/Metal M 4 x 16 mm x 16	G) Screw/Metal M 6.5 x 10.5 mm x 4	H) Screw/Metal M 3.5 x 13 mm x 6	I) Screw/Metal M 8 x 39 mm x 4	J) Wedge/Plastic 9 x 14 x 10 mm x 4
K) Screw/Metal M 3.5 x 15.5 mm x 4	L) Handle/Chrome x 1	M) Screw/Metal M 4 x 20 mm x 1	N) Screwdriver (Not Include) x 1	RM30A) Rell/Metal 300 mm x 1
PM1) Plat/Metal 70 x 62 x 17 mm x 4				

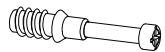


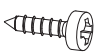
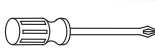
Components:



1	Top Board	x1	2	Bottom Board	x1	3	Back Board	x1	4	Side Board Left	x1
5	Side Board Right	x1	6	Front Drawer	x1	7	Side Drawer Left	x1	8	Side Drawer Right	x1
9	Back Drawer	x1	10	Bottom Drawer	x1	LB18A	Leg	x4			

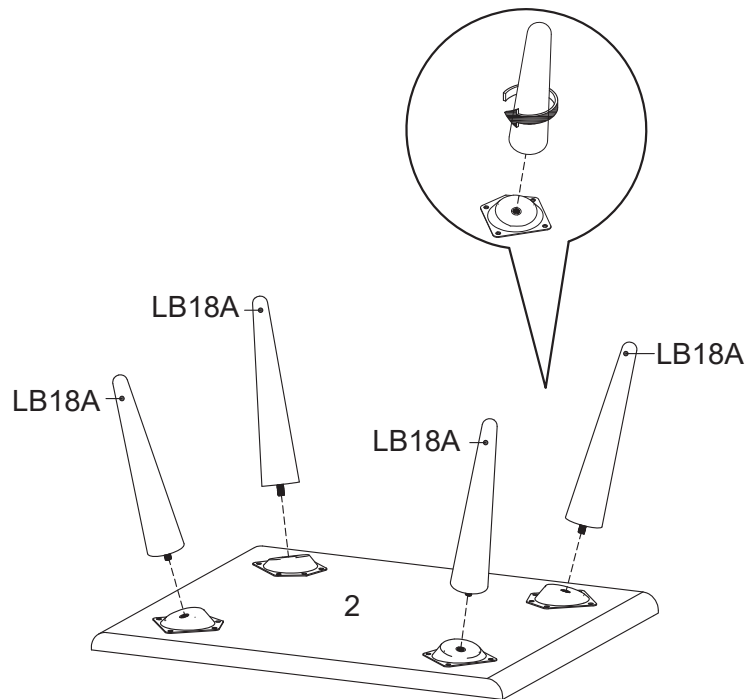
STEP 1:



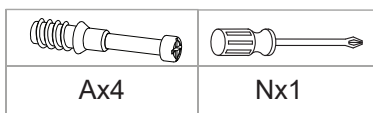
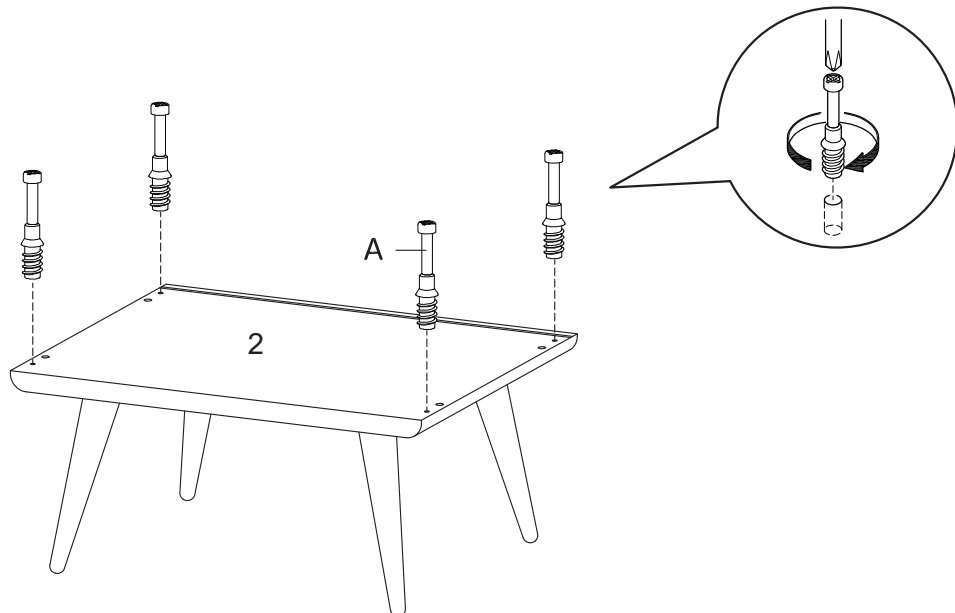
				
Ax4	Dx8	PM1x4	Fx16	Nx1

Hardware required.
Screwdriver not included

STEP 2:

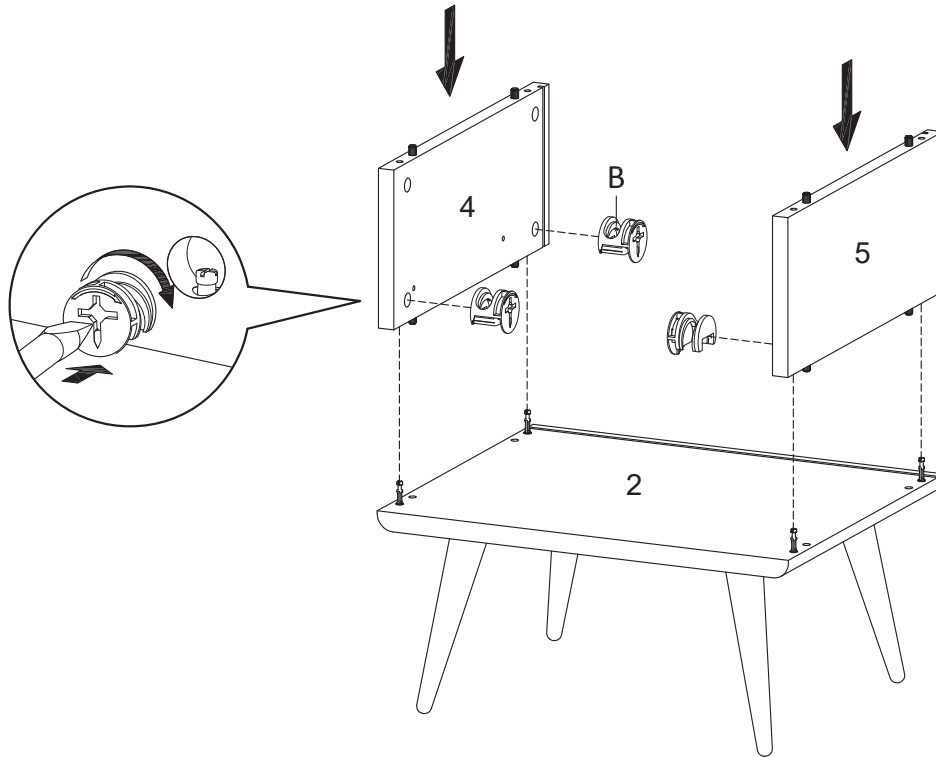


STEP 3:



Hardware required. Screwdriver not included

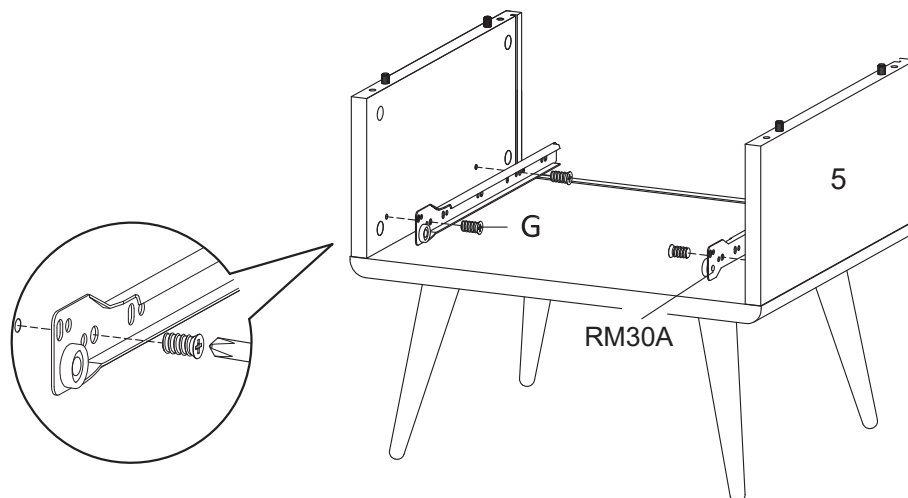
STEP 4:



Bx4	Nx1

Hardware required. Screwdriver not included

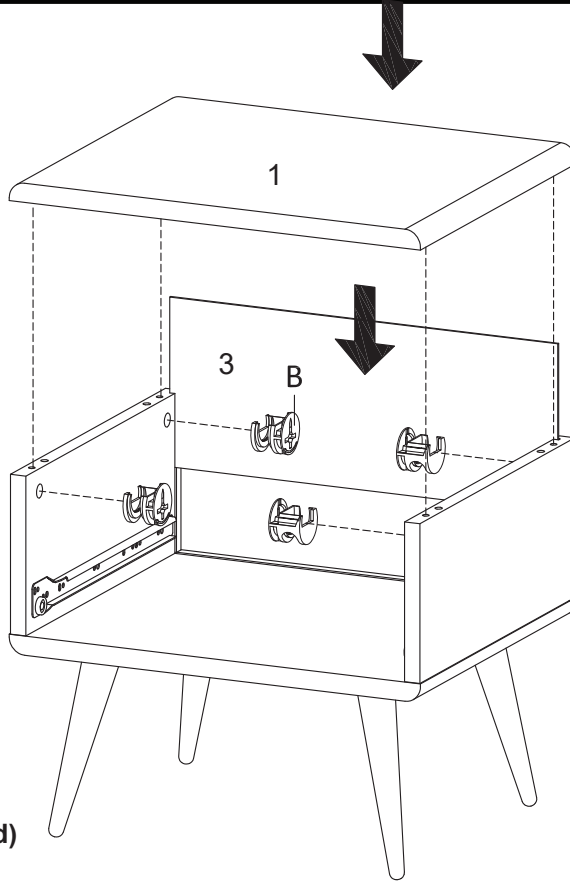
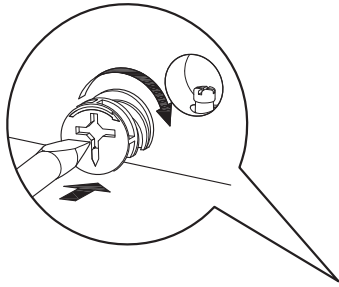
STEP 5:



RM30Ax1	Gx4	Nx1

Hardware required. Screwdriver not included

STEP 6:

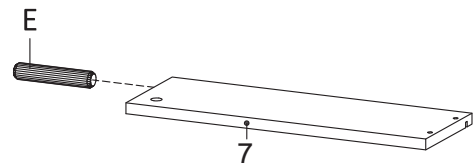
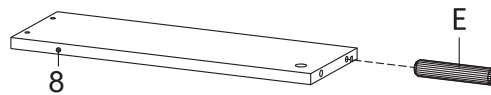
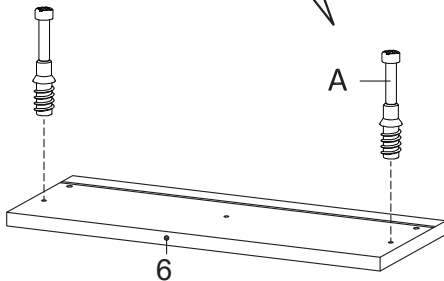
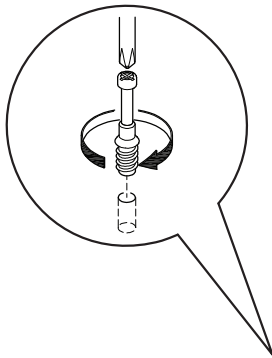


Attention: Insert part 3 (Back Board) first and then part 1 (Top Board)

Bx4	Nx1

Hardware required. Screwdriver not included

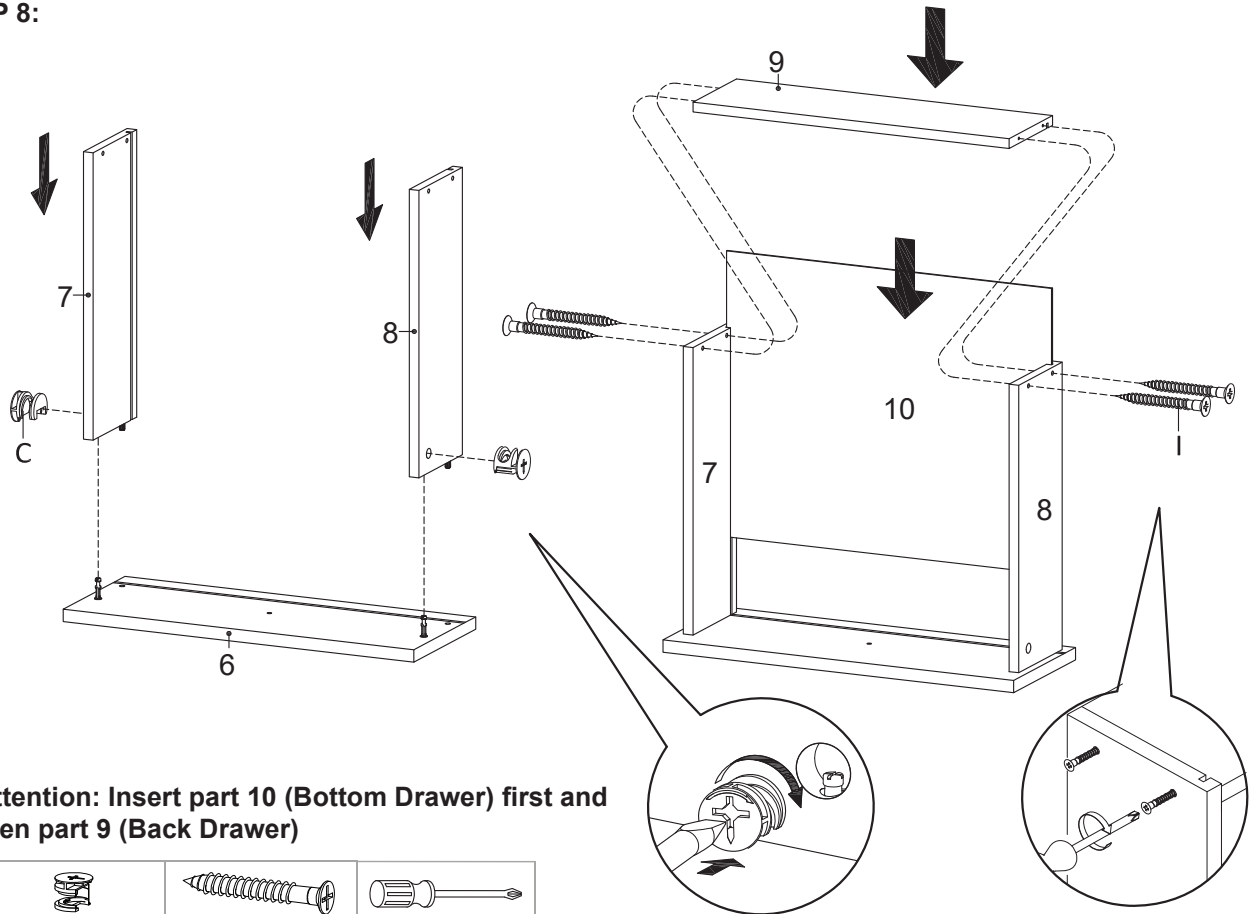
STEP 7:



Ax2	Ex2	Nx1

Hardware required. Screwdriver not included

STEP 8:

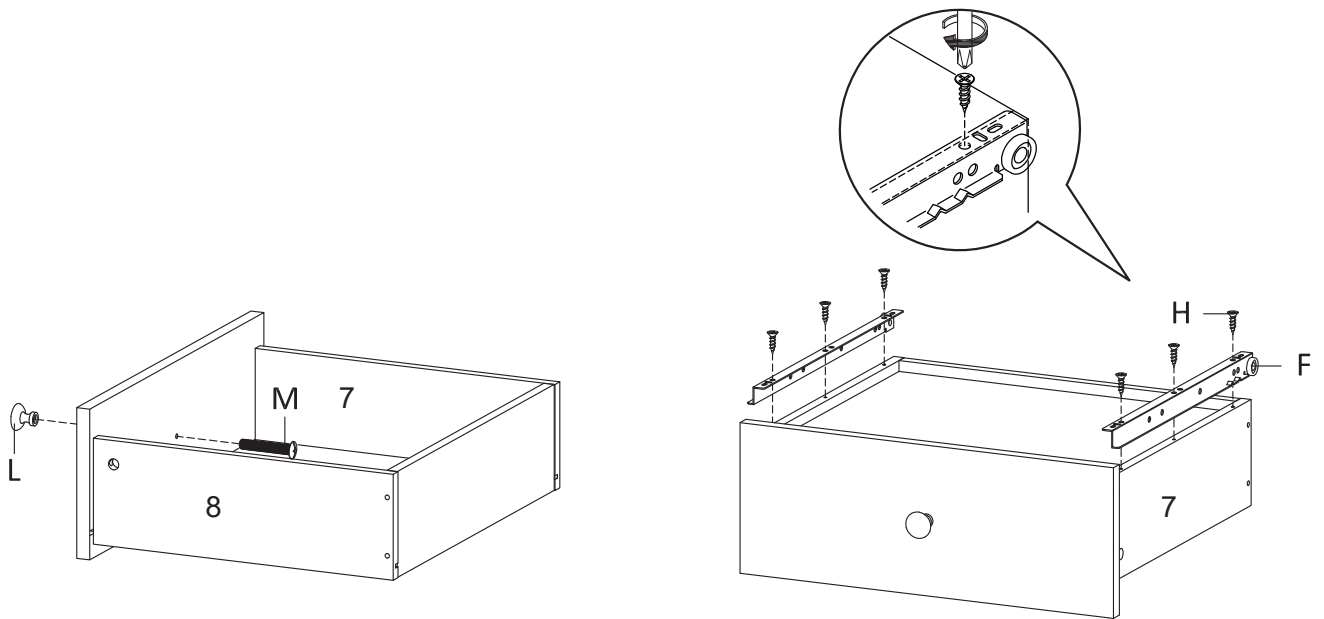


Attention: Insert part 10 (Bottom Drawer) first and then part 9 (Back Drawer)

Cx2	Ix4	Nx1

Hardware required. Screwdriver not included

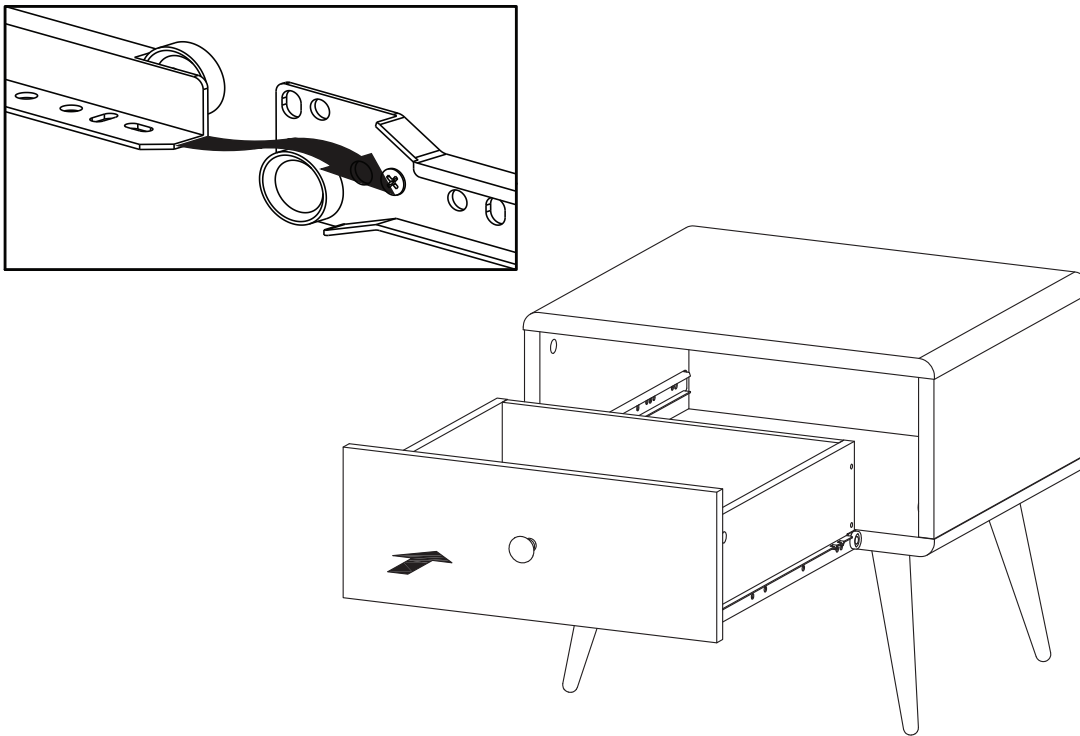
STEP 9:



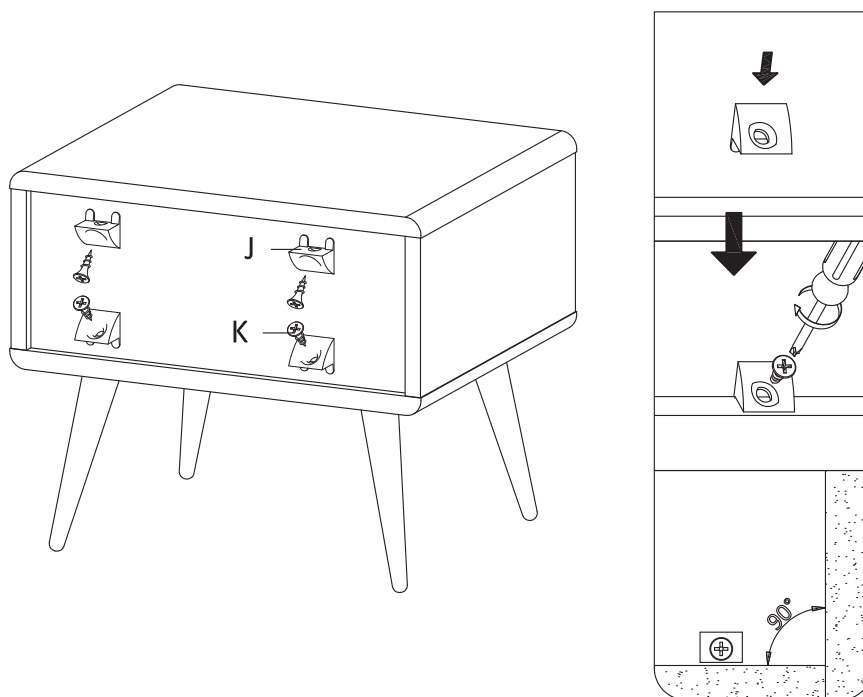
Fx1	Hx6	Lx1	Mx1	Nx1

Hardware required. Screwdriver not included

STEP 10:



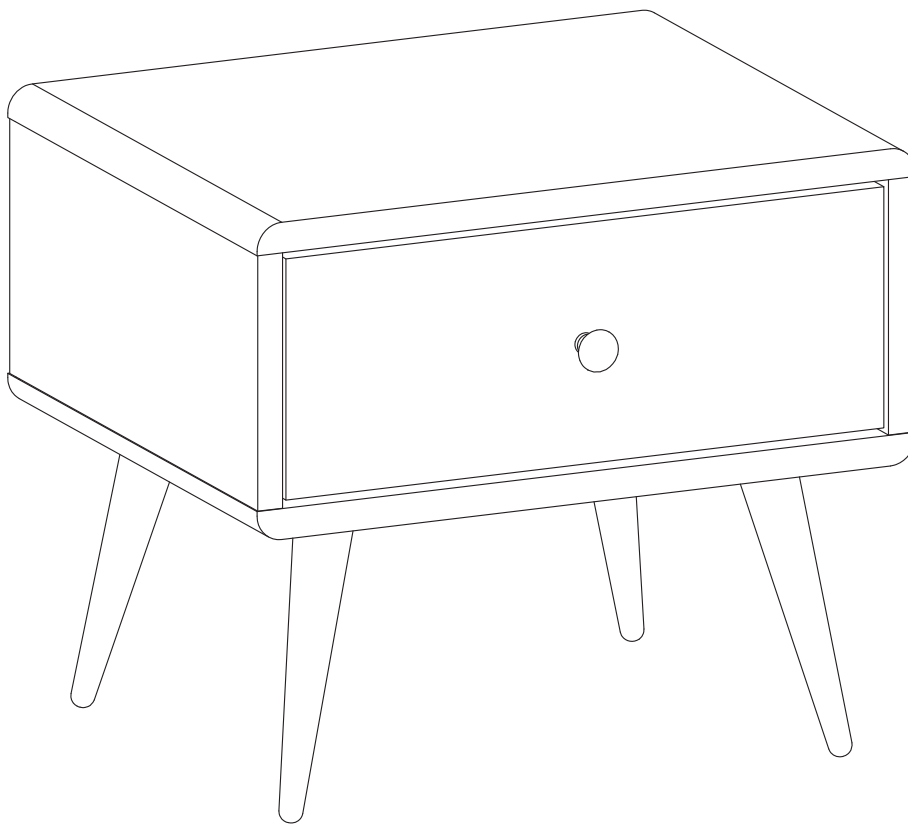
STEP 11:



Jx4	Kx4	Nx1

Hardware required. Screwdriver not included

STEP 12:



Assembly is complete. The Night Stand is ready to enjoy now !