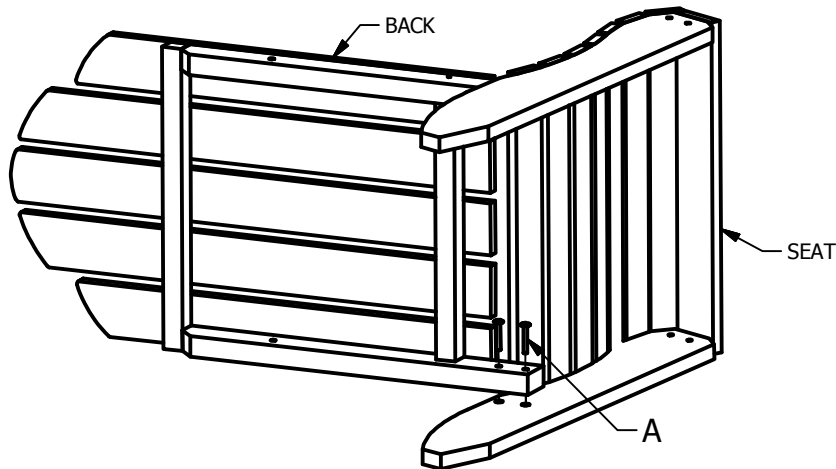


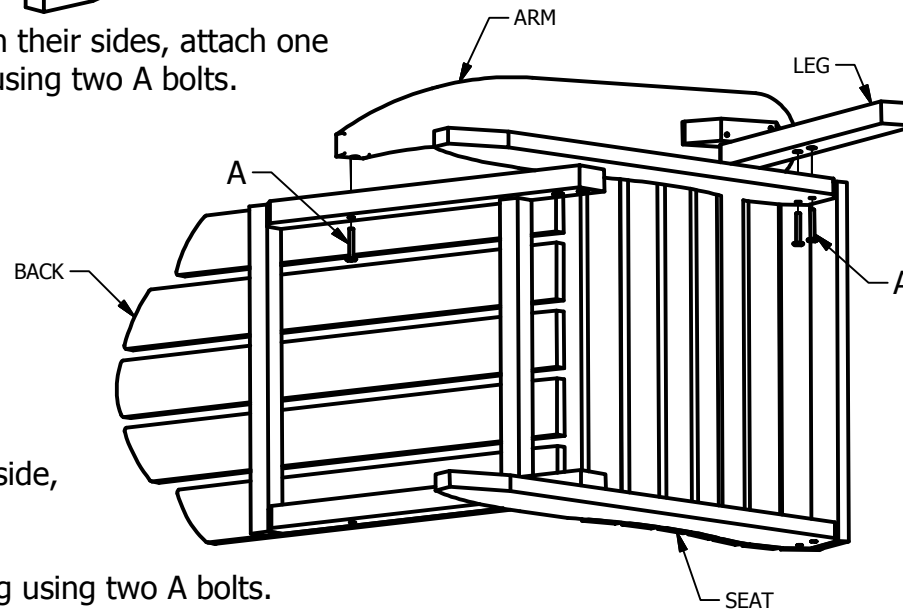
# Adirondack Collection

## Classic Westport Adirondack Chair

### Assembly Guide

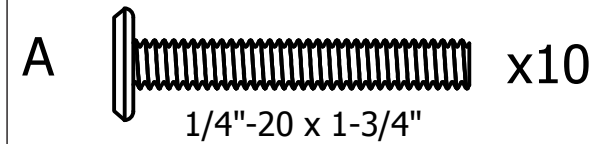


- 1) With the Back and Seat on their sides, attach one side of the Back to the Seat using two A bolts.
- 2) Repeat on other side.



- 3) With the chair still on its side, attach the Back to the Arm, using one A bolt.
- 4) Attach the Seat to the Leg using two A bolts.
- 5) Flip chair onto its other side and repeat Steps 3 & 4. Enjoy your Highwood Chair!

#### HARDWARE



#### IMPORTANT!

DO NOT fully tighten the bolts until all bolts are started. Once all bolts are inserted, go back & tighten all the bolts.

Retain these instructions for future reference

#### INCLUDED TOOLS

