

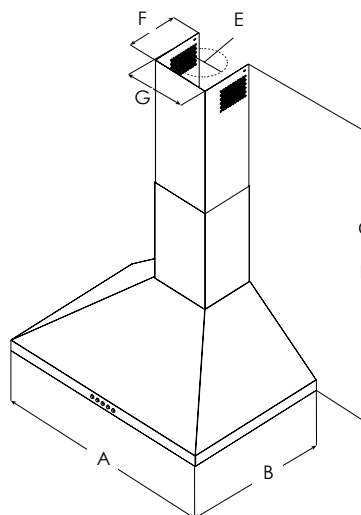
COMFORT SERIES VOLTERRA



ELICA'S EXCLUSIVE PLUS FEATURES

Volterra, with its pyramid shaped angles and stainless steel finish, makes a striking visual statement to any kitchen. Available in 24", 30" or 36" widths, Volterra features backlit push button controls, LED lighting and 3-speed blower. It also features a telescopic chimney for up to 9'2" ceilings.

Designed for standard ducted installation Volterra can also be installed as a recirculating system using the kit available as an accessory.



*Ductless version (Recirculating)
**Ducted version



	EVL424SS	EVL430S2	EVL436S2
A	23 ⁵ / ₈ " (60 cm)	30" (76.2 cm)	36" (91.4 cm)
B	19 ¹ / ₁₆ " (50 cm)		
C*	Max: 42 ¹ / ₈ " (107 cm) Min: 28 ⁶ / ₁₆ " (72 cm)		
D**	Max: 38 ³ / ₁₆ " (97 cm) Min: 28 ⁶ / ₁₆ " (72 cm)		
E	6" (15.24 cm)		
F	7 ³ / ₁₆ " (18.3 cm)		
G	8 ³ / ₁₆ " (20.8 cm)		

COMFORT SERIES

VOLTERRA



SPECIFICATIONS

	24" Unit	30" Unit	36" Unit
Model:	EVL424SS	EVL430S2	EVL436S2
Dimensions:	24"W x 19 5/8"D x 10 1/4"H	30"W x 19 5/8"D x 10 1/4"H	36"W x 19 5/8"D x 10 1/4 "H
Blower Type(internal):	400 CFM(3-speed)		
Blower Performance:			
Speed 1	160 CFM		
Speed 2	280 CFM		
Speed 3	400 CFM		
Noise (sones):	Min:0.83, Max:6		
Working Speed			
Finish:	Stainless Steel		
Controls:	Backlit Push Button		
Illumination:	2 LED		
Filter Type:	Dishwasher-Safe, Aluminum Mesh Filter		
Aluminum Mesh Filters:	2	3	3
Duct Transition:	6" Round with BackDraft Damper (top only)		
Installation Type:	Ducted, Recirculating Kit sold separately		
Electrical:	120V - 60 Hz 265 watts - 2.2 Amps		
KITS:			
Long Chimney Extension Kit:	KIT02762		
Recirculating Kit:	KIT02766		
CONSUMABLE PARTS:			
Replacement Grease Filter (1):	GRI0009219B	GRI0009219B	GRI0009219B
Replacement Light Bulb (1):	LMP0117673		
*Consumable parts are sold in units of one (1). Order accordingly			
INSTALL HEIGHTS:			
Ranger Hood:	Ducted: Min: 7'5", Max 9'1" Recirculating: Min: 7'5", Max: 9'6"		
Ranger Hood with extension duct covers:	Ducted: Min: 8'5", Max 11'3" Recirculating: Min: 8'6", Max: 11'7"		

PLUS FEATURES



LED LIGHT - LED lighting is undoubtedly the smartest solution in terms of energy saving. Expected life time of over 20,000 hours.



3X LAYER MESH FILTER - Elica aluminum mesh filters are a step above competition, featuring triple layered, anodized aluminum that is woven into highly dense mesh. The thick mesh captures more grease, anodization helps resist staining and provides durability to repeated cleanings in the dishwasher.