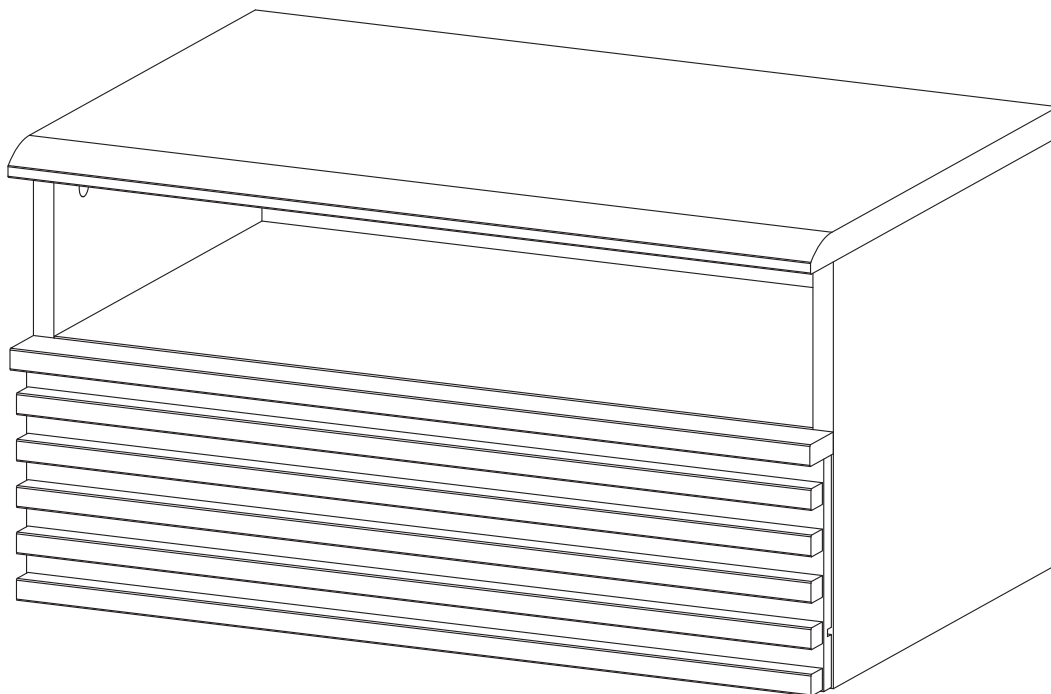


## ASSEMBLY INSTRUCTIONS

# MOD-7058

V2.12.23.24



### Questions? Contact us!

609.256.9000 • [cs@modway.com](mailto:cs@modway.com)  
[www.modway.com](http://www.modway.com)

\*modway

# Let's get started!

\*modway



Read through all of the instructions before starting



Care instructions are listed in the last step of this manual



Approx. 45 minutes assembly time



Make sure you have all parts and components before discarding any packing materials



2 people recommended for assembly

**Only use hand tools to assemble this item.** Do not use power tools. Do not tighten bolts or screws completely until all hardware is lined up and inserted into the holes.

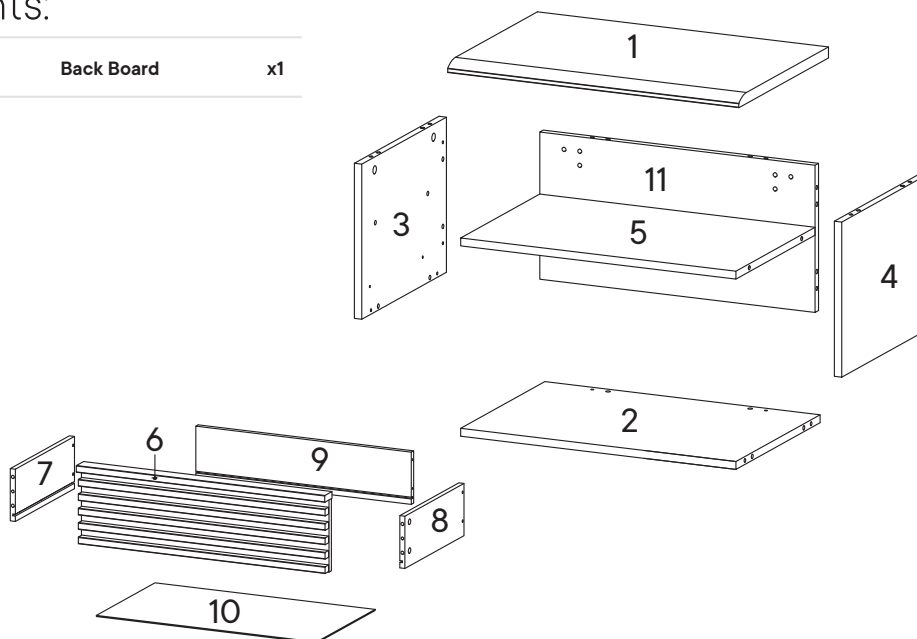
Do not over-tighten screws and bolts to avoid stripping the hardware or cracking the item.

Assemble your item on a flat, carpeted area, with plenty of space to work. This will prevent damage and scratches to your floors or the item while you're assembling the product.

Keep all components and packaging out of reach of children or animals to avoid risk of choking or suffocation.

## Furniture components:

1	Top Board	x1	11	Back Board	x1
2	Bottom Board	x1			
3	Side Board Left	x1			
4	Side Board Right	x1			
5	Fixed Shelf	x1			
6	Front Drawer	x1			
7	Side Drawer Left	x1			
8	Side Drawer Right	x1			
9	Back Drawer	x1			
10	Bottom Drawer	x1			



## Provided hardware:

A		Cam Bolt $\varnothing 6 \times 35$ mm	x16	J		Wedge	x4	RM30A		Drawer Runner	x1
B		Cam Lock $\varnothing 15$ mm	x16	K		Screw M 3.5 x 15.5 mm	x4	PA55		Long Bracket	x1
C		Cam Lock $\varnothing 12$ mm	x4	L		Wall Mounted Bolt	x2	PA05		Short Bracket	x2
D		Wood Dowel $\varnothing 8 \times 30$ mm	x20	M		Screw M 8 x 39 mm	x4	What you need:			
E		Wood Dowel $\varnothing 6 \times 30$ mm	x2	N		Wall Plug	x7		Phillips Head Screwdriver		
F		Screw Cap $\varnothing 15$ mm	x4	O		Screw 5.5 x 45 mm	x7				
G		Allen Key	x2	P		Screw 3.5 x 13 mm	x6				
H		Screw M 6 x 15 mm	x4	Q		Screw M 6 x 10.5 mm	x4				
I		JCN Nut	x4	R		Cam Bolt $\varnothing 6 \times 32$ mm	x4				

Wait!

Missing parts or hardware? Need assistance?  
Contact us before returning your item. We're here to help!  
609.256.9000 • cs@modway.com

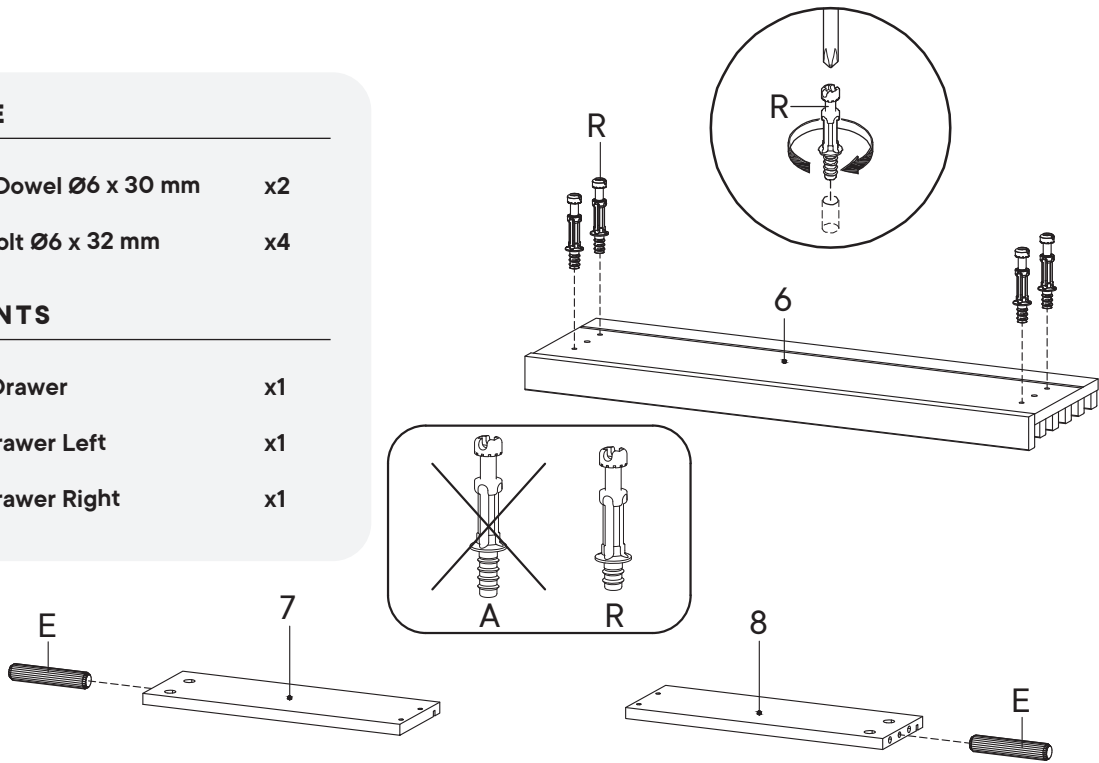
# Step 1

## HARDWARE

- E** Wood Dowel Ø6 x 30 mm x2
- R** Cam Bolt Ø6 x 32 mm x4

## COMPONENTS

- 6** Front Drawer x1
- 7** Side Drawer Left x1
- 8** Side Drawer Right x1



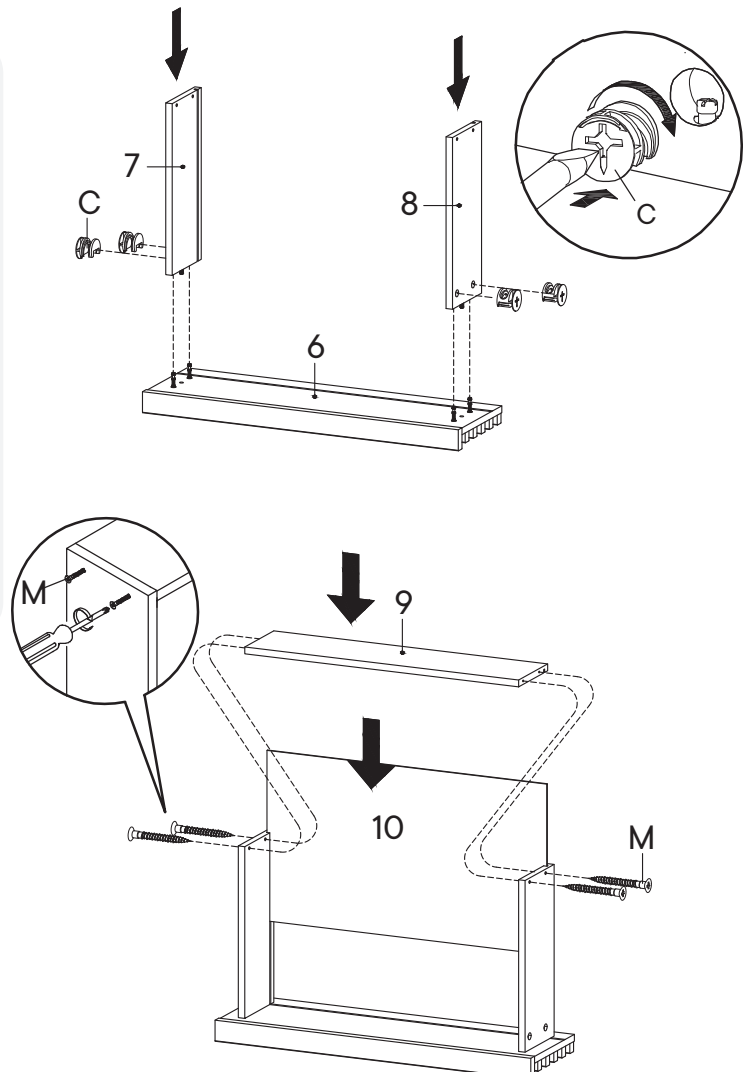
# Step 2

## HARDWARE

- C** Cam Lock Ø12 mm x4
- M** Screw M 8 x 39 mm x4

## COMPONENTS

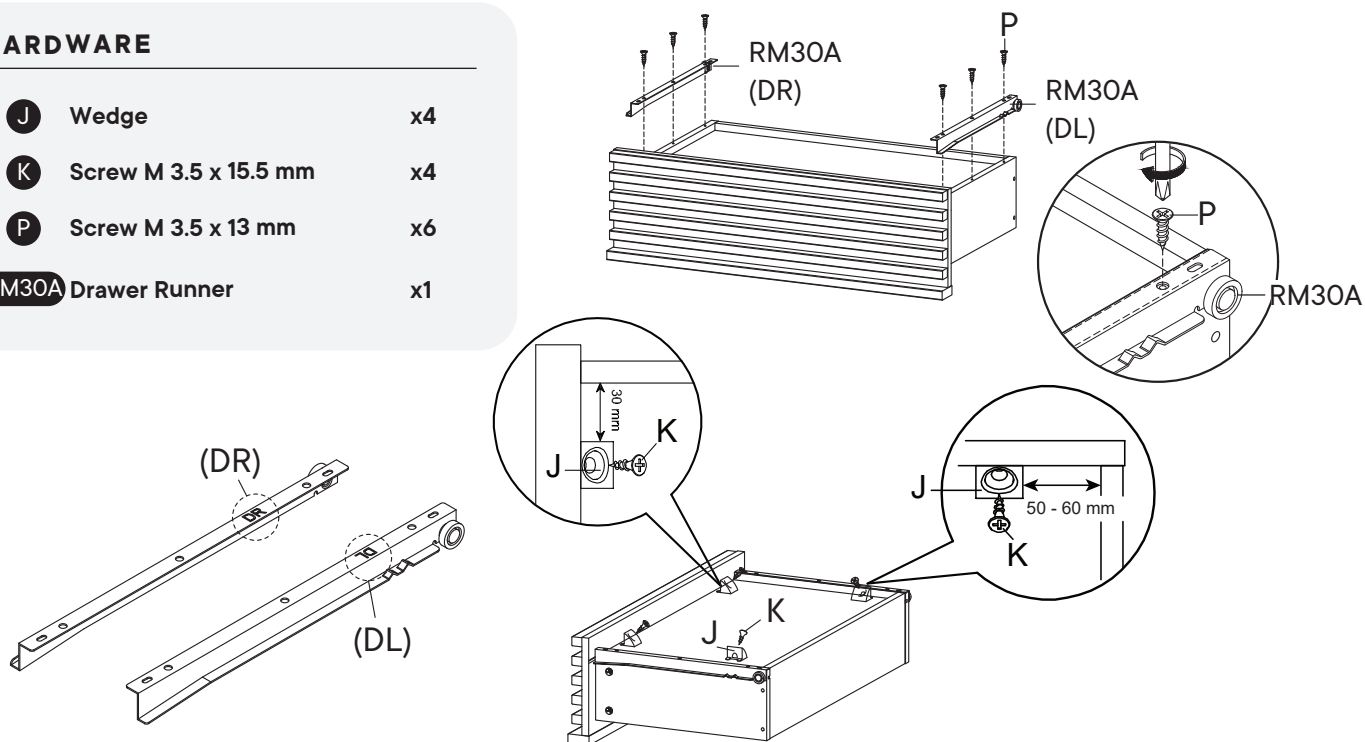
- 6** Front Drawer x1
- 7** Side Drawer Left x1
- 8** Side Drawer Right x1
- 9** Back Drawer x1
- 10** Bottom Drawer x1



## Step 3

### HARDWARE

<b>J</b>	Wedge	x4
<b>K</b>	Screw M 3.5 x 15.5 mm	x4
<b>P</b>	Screw M 3.5 x 13 mm	x6
<b>RM30A</b>	Drawer Runner	x1



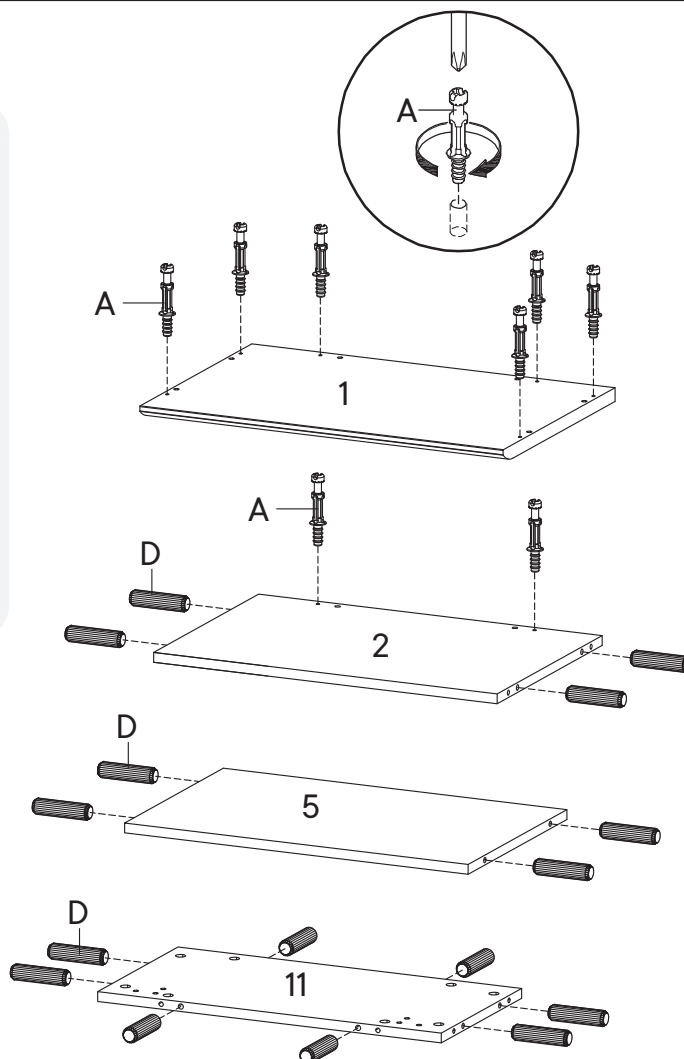
## Step 4

### HARDWARE

<b>A</b>	Cam Bolt $\varnothing 6$ x 35 mm	x8
<b>D</b>	Wood Dowel $\varnothing 8$ x 30 mm	x16

### COMPONENTS

<b>1</b>	Top Board	x1
<b>2</b>	Bottom Board	x1
<b>5</b>	Fixed Shelf	x1
<b>11</b>	Back Board	x1



# Step 5

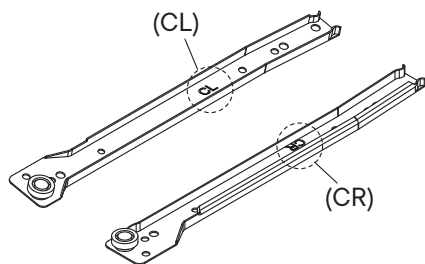
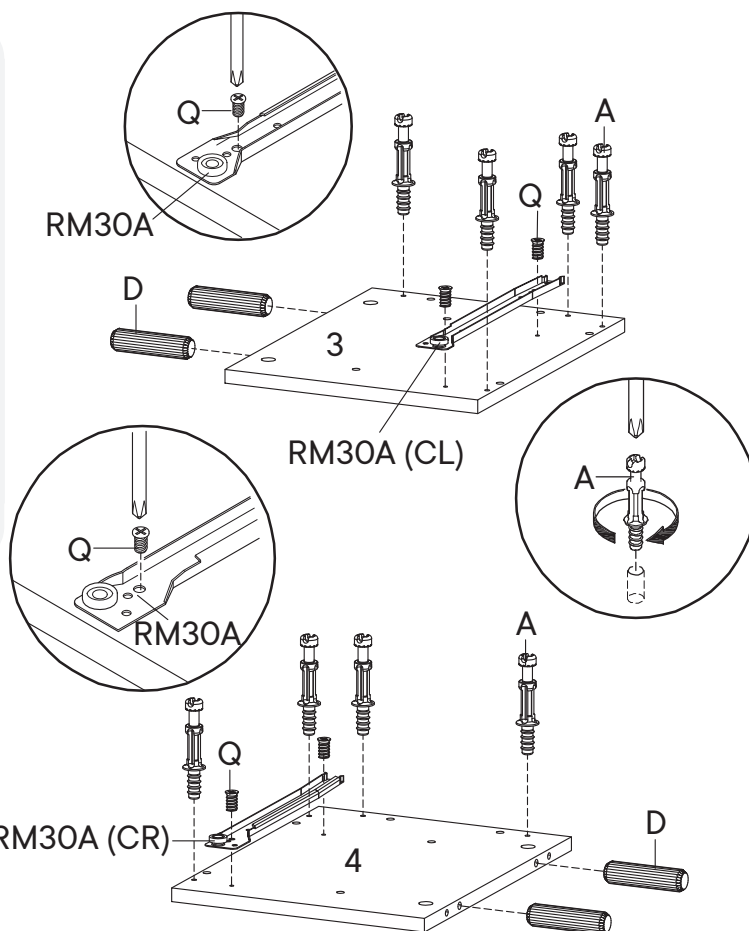
## HARDWARE

- A** Cam Bolt Ø6 x 35 mm x8
- D** Wood Dowel Ø8 x 30 mm x4
- Q** Screw M 6 x 10.5 mm x4

- RM30A** Drawer Runner x1

## COMPONENTS

- 3** Side Board Left x1
- 4** Side Board Right x1



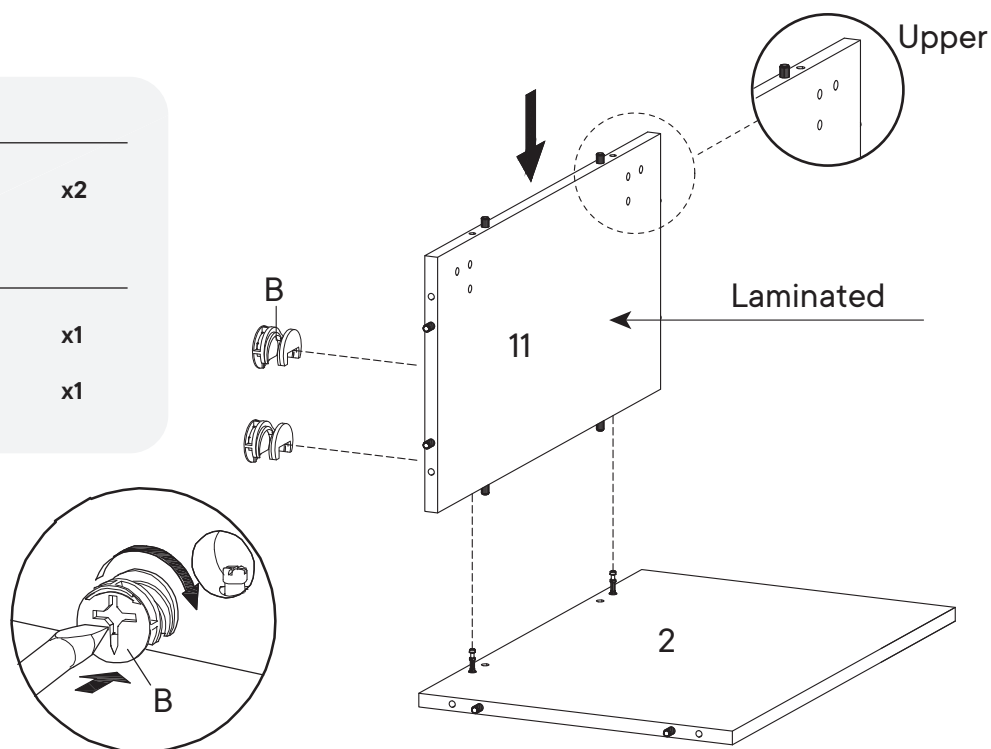
# Step 6

## HARDWARE

- B** Cam Lock Ø15 mm x2

## COMPONENTS

- 2** Bottom Board x1
- 11** Back Board x1



## Step 7

### HARDWARE

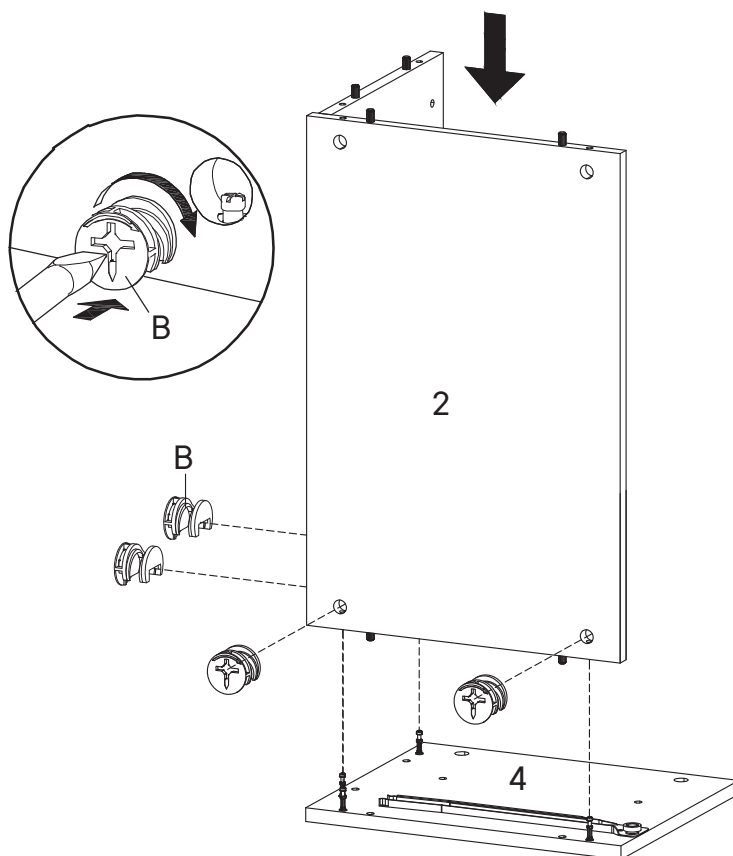
**B** Cam Lock Ø15 mm x4

### COMPONENTS

**2** Bottom Board x1

**4** Side Board Right x1

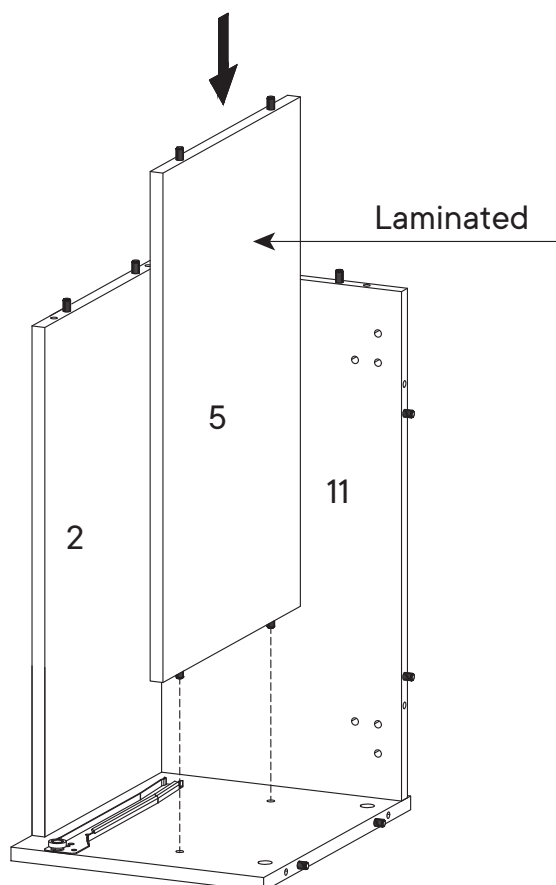
**11** Back Board x1



## Step 8

### COMPONENTS

**5** Fixed Shelf x1



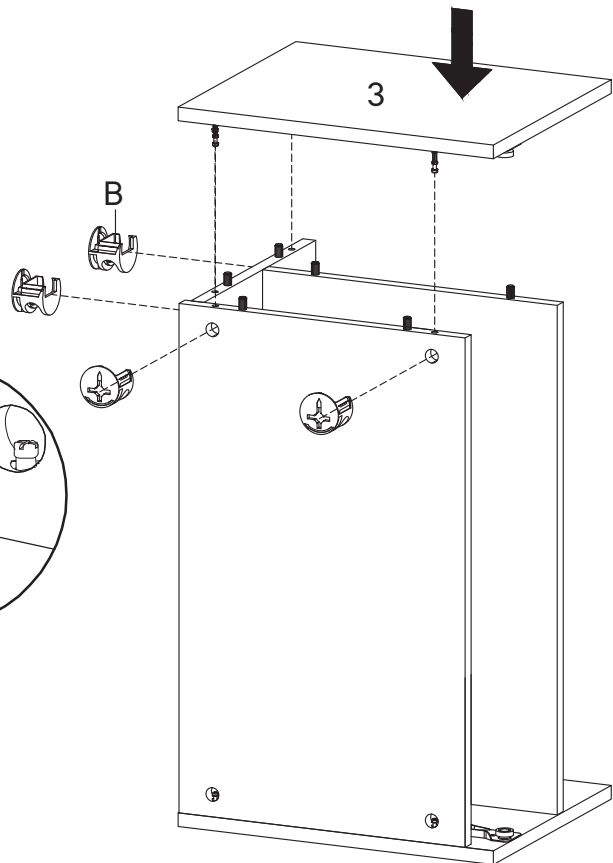
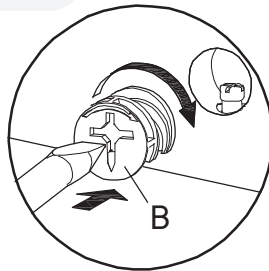
# Step 9

## HARDWARE

**B** Cam Lock Ø15 mm x4

## COMPONENTS

**3** Side Board Left x1



# Step 10

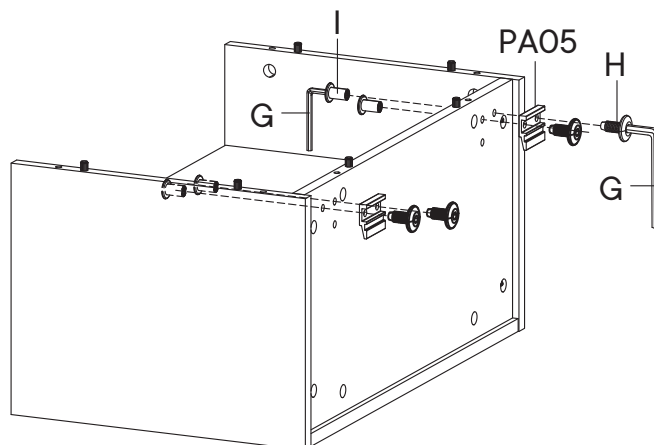
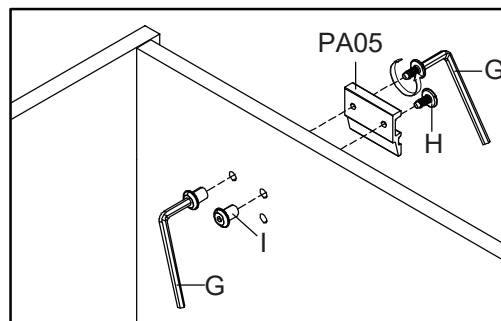
## HARDWARE

**G** Allen Key x2

**H** Screw M 6 x 15 mm x4

**I** JCN Nut x4

**PA05** Short Bracket x2



## Step 11

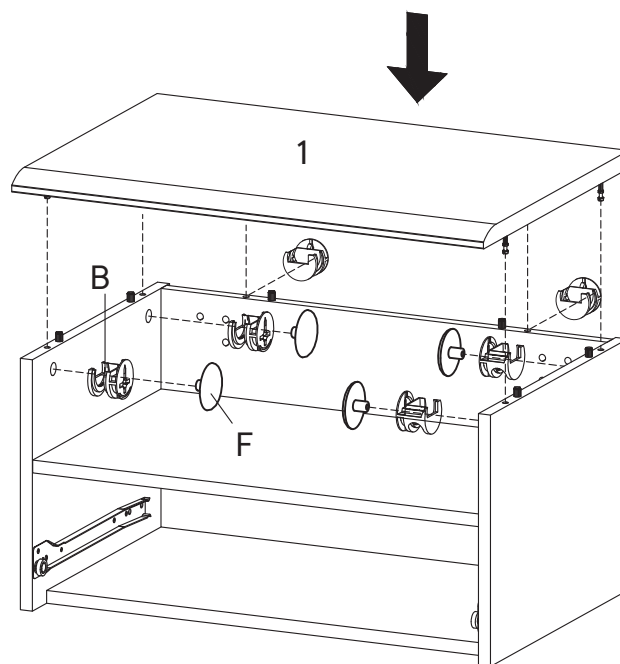
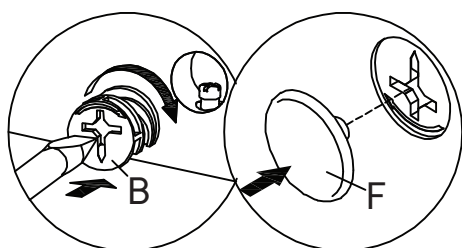
### HARDWARE

**B** Cam Lock  $\varnothing 15$  mm x6

**F** Screw Cap  $\varnothing 15$  mm x4

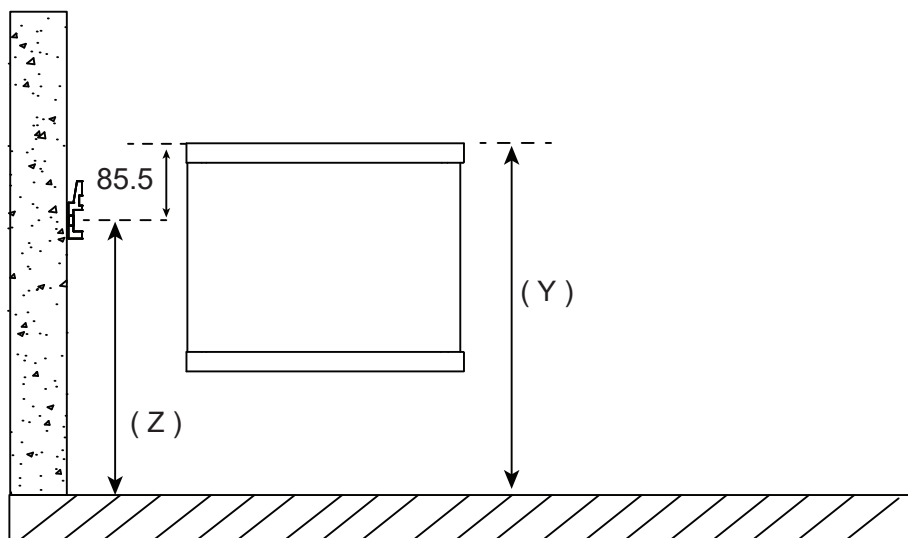
### COMPONENTS

**1** Top Board x1



## Step 12

Determine your desired (Y) height, then subtract by 85.5 mm. This is the drill holes height from the floor (Z).



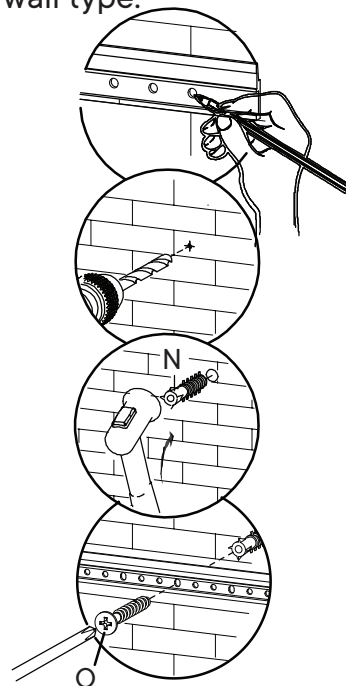
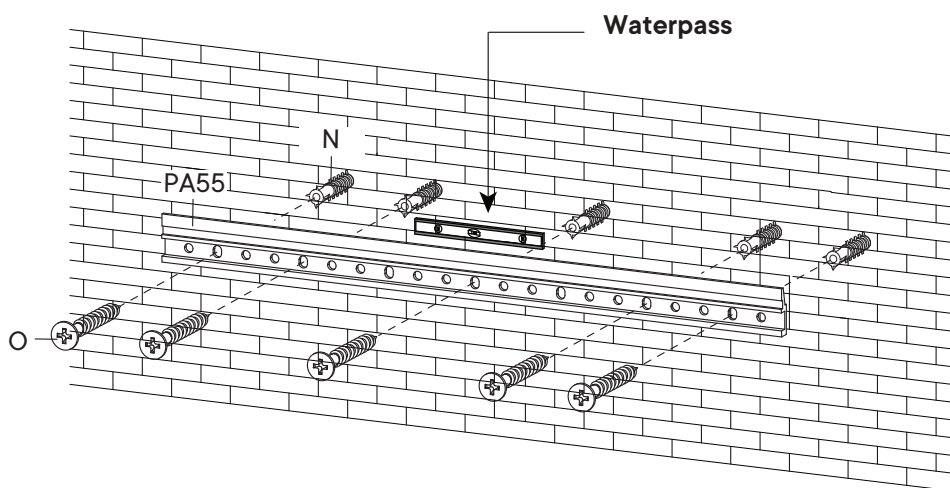
# Step 13

## HARDWARE

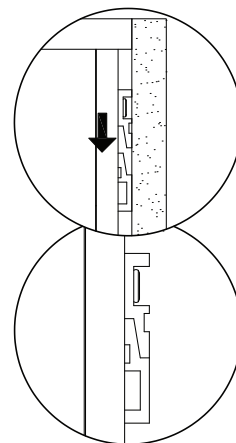
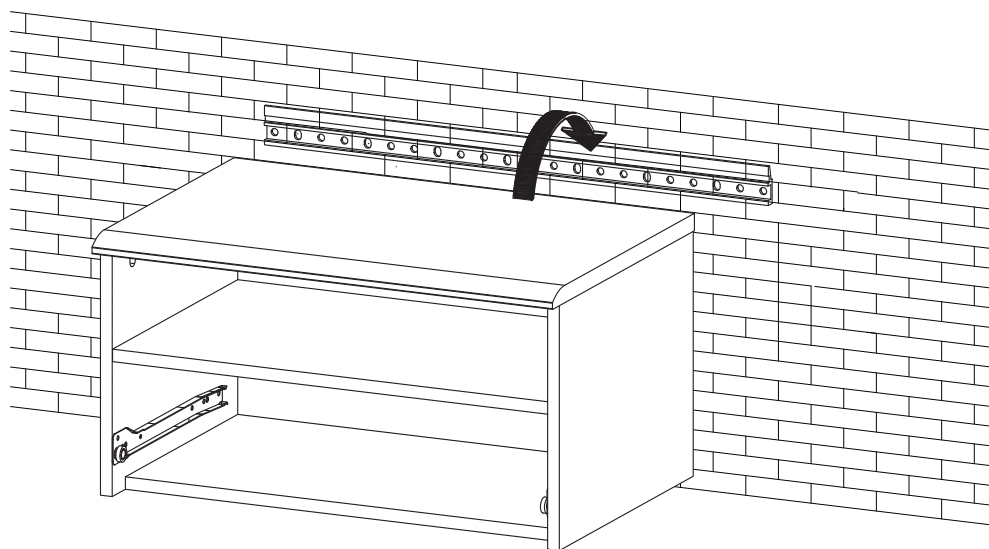
- N** Wall Plug x5
- O** Screw 5.5 x 45 mm x5
- PA55** Long Bracket x1

Different wall materials require unique wall fasteners. The wall plugs (N) and screws (O) are designed for fixing to concrete walls only.

Please consult your local hardware store to ensure you are using the correct hardware for your wall type.



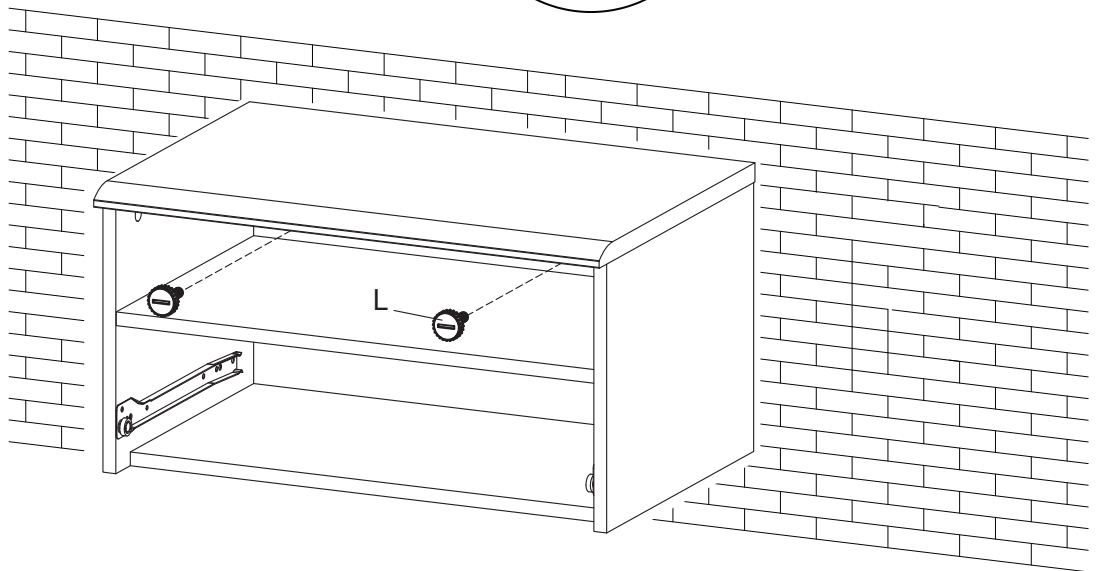
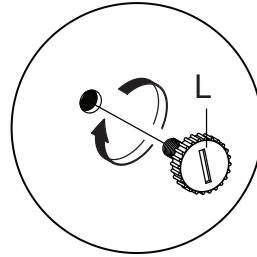
# Step 14



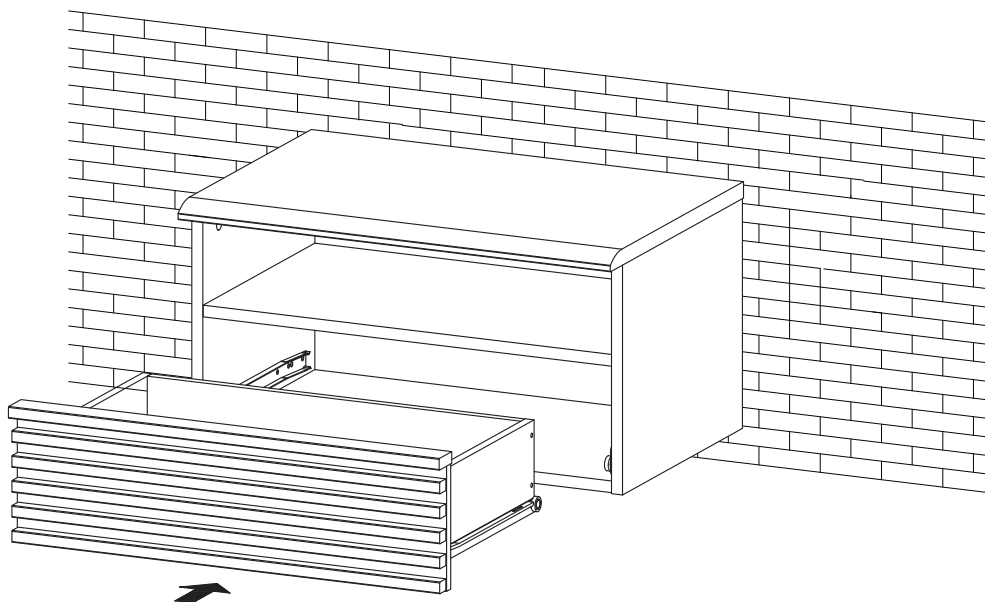
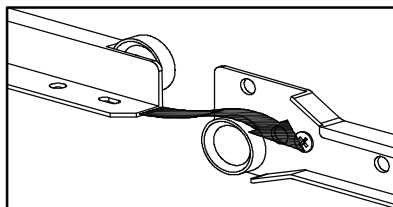
# Step 15

## HARDWARE

**L** Wall Mounted Bolt x2



# Step 16



# Great job!

Wall mount Nightstand assembly is complete.

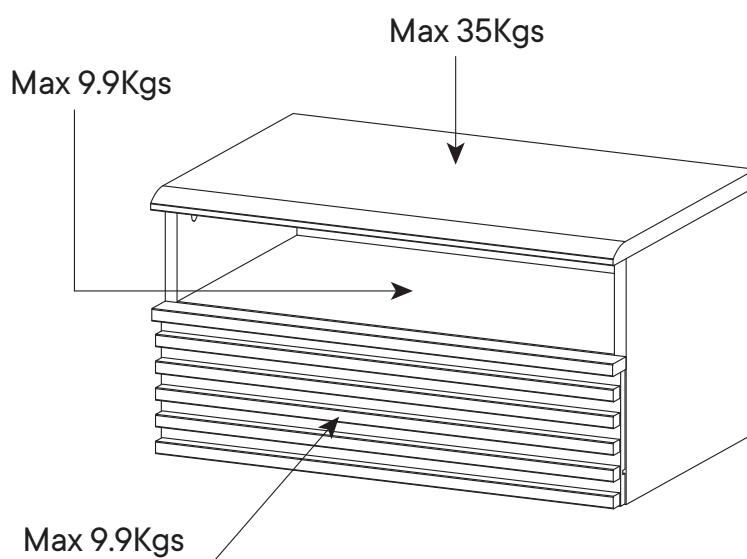
## ♥ CARING FOR YOUR ITEM

Indoor use only.

Not contract grade.

Clean using a non-abrasive cloth and a mild cleaner.

Never use harsh chemicals, as they could damage the finish or integrity of the item.



## CONNECT WITH US!

Tag us @modway\_furniture and #modway for a chance to be featured.