

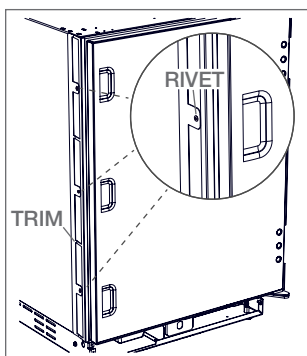
Contents

DUAL INSTALLATION	
3	Clip, Trim
7	Screw, #10 x 3/4
1	Bushing
2	Tape
1	Bracket, Top
1	Bracket, Bottom
1	Trim, Center
1	Heater
1	Wire, Ground
1	Instructions

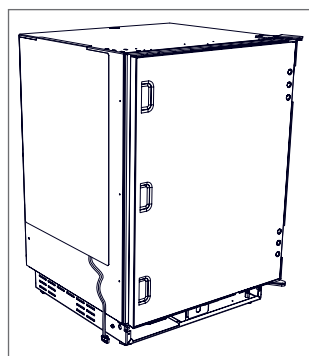
**IMPORTANT NOTE:** For outdoor units only. Use a power drill to remove the 3 rivets that secure the trim to the handle side of each unit then discard trim. Refer to the illustration below.

Installation

- 1 Remove the paper backing from the tape on the back of the heater.
- 2 Place heater panel approximately 1/4" from the back of the unit being installed on the right, then press firmly to secure. See illustration below.

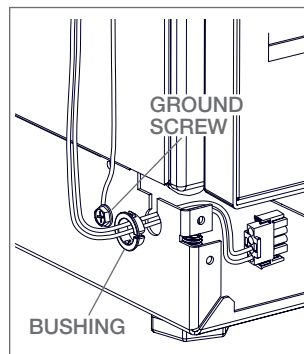


Remove trim (UC-24RO only.)

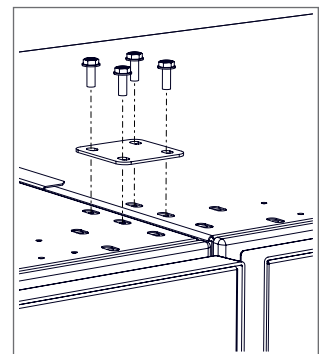


Install heater.

- 3 Clip the ground wire to the bottom of the heater then attach the ground wire to the unit using the ground screw. Refer to the illustration below.
- 4 Position the wires from the heater through the opening in the unit tray then install the plastic bushing. Refer to the illustration below.
- 5 Attach the male plug from the heater into the female plug supplied with the unit.
- 6 Use 4 screws provided to install the top bracket.

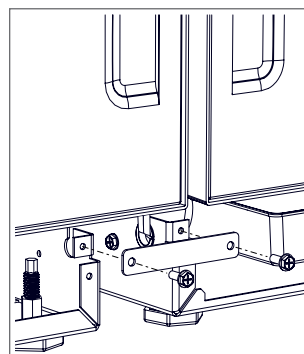


Install bushing.

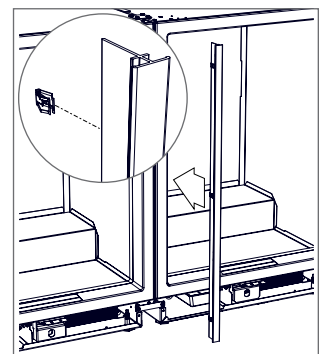


Install top bracket.

- 7 Use 2 screws to install the bottom bracket.
- 8 Install (3) trim clips on center trim, then place the trim between both units and press to install.



Install bottom bracket.



Install center trim.

