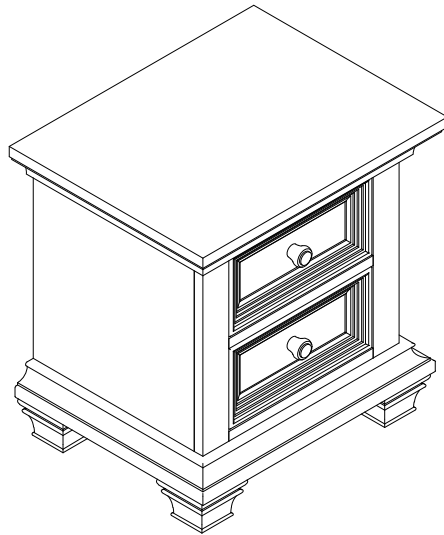


ASSEMBLY INSTRUCTIONS

WESTON NIGHTSTAND

Model #12122



Thank you for your purchase!

Remove all parts and hardware from the box and lay on a carpeted or scratch-free work surface.
Do not dispose of any contents until assembly is completed.

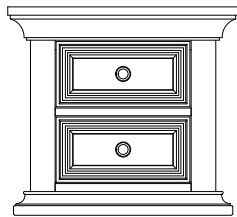
TOOLS REQUIRED:

ALLEN KEY (Included)

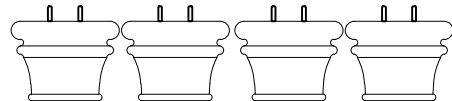


PARTS ENCLOSED IN CARTON

A. Nightstand (1 pc)

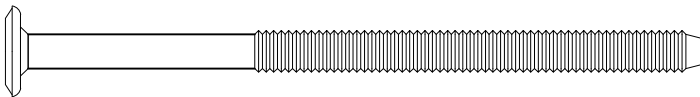


B. Foot (4 pcs)



HARDWARE

(D) Allen Bolt 3-1/2" (90 mm) (4 pcs)



(E) Spring washer (4 pcs)



(F) Allen key (1 pc) (length may vary)



Do not fully tighten all bolts until all parts are in place.
(please add an extra 1/2 revolution to the bolts when using spring washer after tightening)

STEP 1 "ASSEMBLY OF NIGHTSTAND"

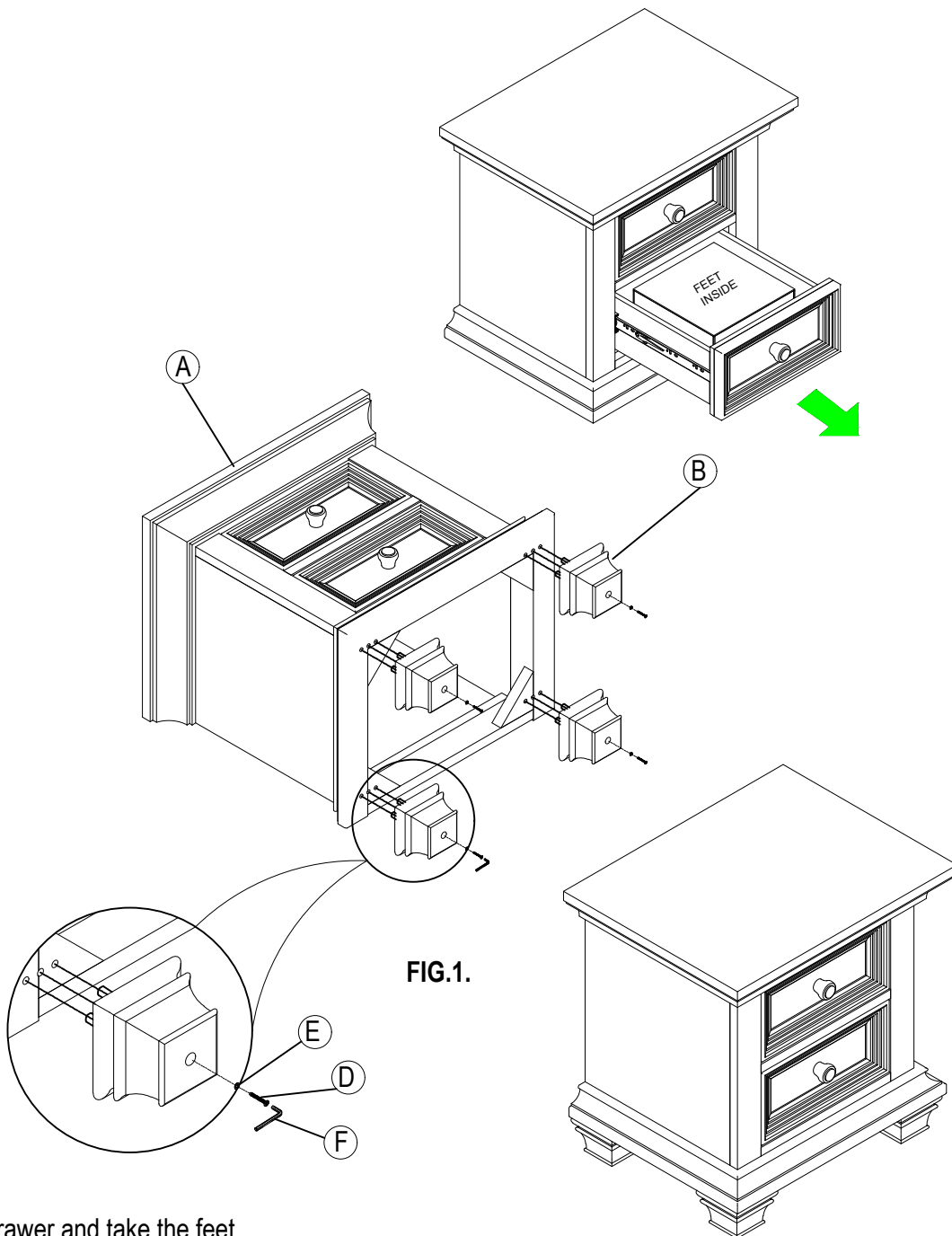
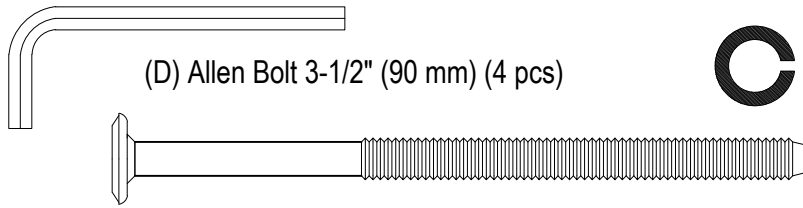
THIS STEP REQUIRES : (F) Allen key (1 pc) (length may vary)

(E) Spring washer (4 pcs)

A. Nightstand (1 pc)

B. Feet (4 pcs)

(D) Allen Bolt 3-1/2" (90 mm) (4 pcs)



STEP 1:

- Open a drawer and take the feet.
- Place the nightstand lay on its back.
- Attach feet to nightstand bottom frame through pre-assembled dowels.
- Secure feet by using Allen bolt (D), Spring washer (E). Tighten all bolt with Allen key (F).
- Flip back the nightstand. Complete assembly as shown in FIG.1.