

24" Whole Bean,
Plumbed Coffee System

CVA 6805



Whole Bean Coffee System

CVA 6805



CVA 6805

Features:

- M Touch innovative and revolutionary controls are both easy to operate and navigate. An intuitive swipe of the screen will quickly lead you to your desired selection
- OneTouch function prepares two hot beverages in succession when pressing the button twice
- OneTouch for Two operation dispenses two cappuccino or latté macchiato drinks, coffee or espresso simultaneously
- CupSensor recognizes the rim of the cup and alters the spout accordingly
- EasyClick Milk System simply clicks the milk reservoir into and out of place at the front of the machine
- Dishwasher-safe milk flask
- Automatic rinsing and cleaning programs
- Up to 10 user profiles
- The coffee pot function allows up to eight cups of coffee to be brewed at one time
- BrilliantLight
- Timer function
- Ground coffee chute for whole bean bypass
- Removable brew unit for easy cleaning
- Plumbed water connection

SPECIFICATIONS

CVA 6805 — Item 29680050USA

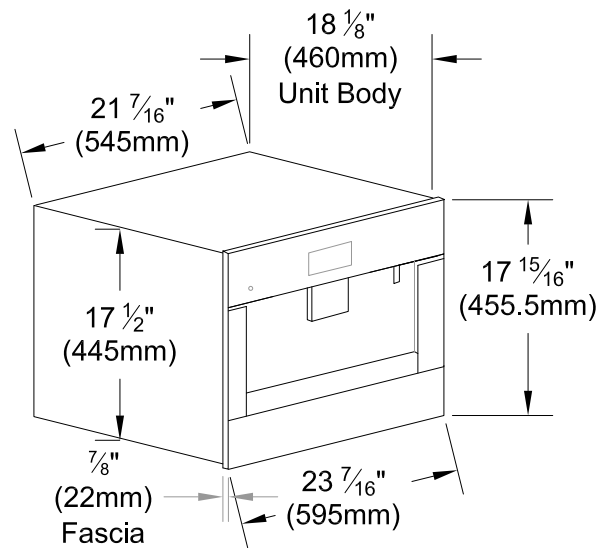
Overall Unit Width - Excluding Fascia Dimension	21 ⁷ / ₁₆ " (545mm)
Overall Height - Excluding Fascia Dimension	17 ¹ / ₂ " (445mm)
Overall Unit Depth - Excluding Fascia Dimension	18 ³ / ₈ " (460mm)
Depth with Door Open	41 ¹ / ₂ " (1054mm)
Overall Fascia Dimensions	23 ⁷ / ₁₆ " (595mm) W x 17 ¹⁵ / ₁₆ " (456mm) H x 1 ³ / ₁₆ " (20mm) D
Built-In	
Minimum Cabinet Width	22 ¹ / ₁₆ " — 22 ³ / ₈ " (560 — 568mm)
Minimum Cabinet Depth	21 ⁵ / ₈ " (500mm)
Minimum Cabinet Opening Height	17 ¹¹ / ₁₆ " — 17 ¹² / ₁₆ " (450 — 452mm)
Minimum Base Support	62 lbs
Additional Cut-outs Required	Venting and Plumbing: 19 ¹ / ₁₆ " x 1 ⁹ / ₁₆ " or 78 ³ / ₄ " sq. inches
Plumbing	Do not Connect to Reverse Osmosis (RO) System
Plumbed Hose	1/4" water connection, max length should not exceed 4'11"
Electrical	
Electrical Requirements	120v 60Hz 15a
Power Cord	Molded plug - NEMA 5-15A plug, 120V power cord, 5 foot
Cut out for power cord	Minimum 3" square
Shipping	
Shipping Weight	70 lbs
Shipping Dimensions	23 ⁵ / ₈ " W x 22 ¹ / ₁₆ " H x 26" L
Support	
Call Miele	800.843.7231
Miele Website	www.mieleusa.com
20/20 Link	2020technologies.com

Whole Bean Coffee System CVA 6805

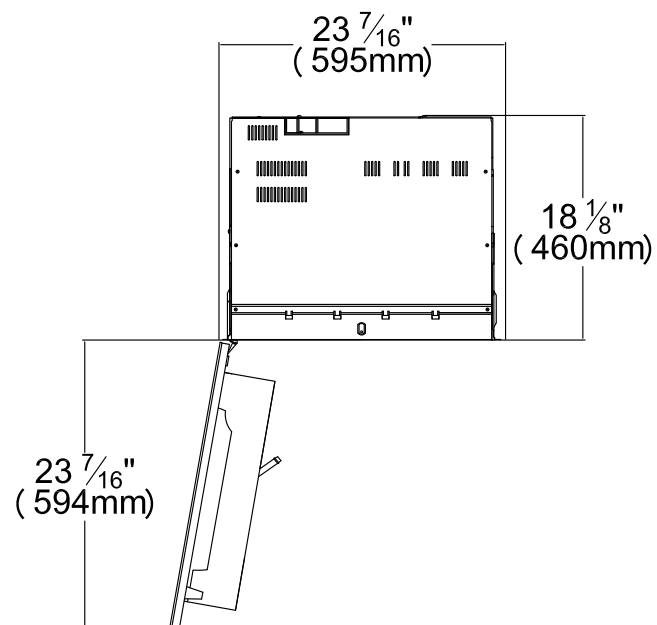


PRODUCT VIEWS

Isometric View

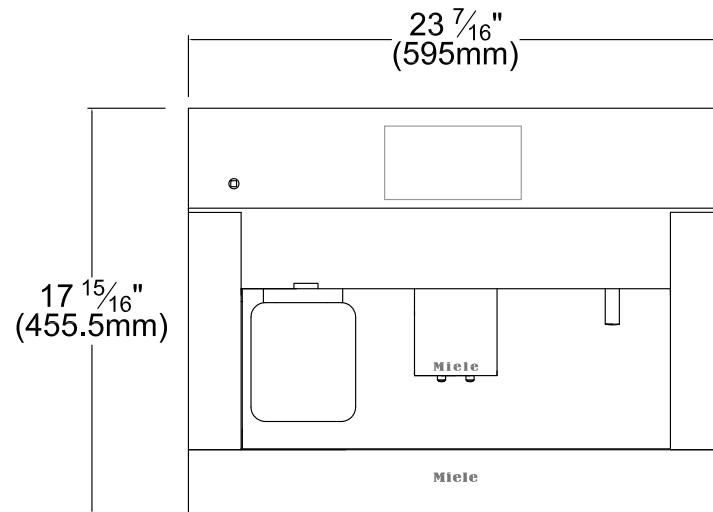


Top View, Door Open

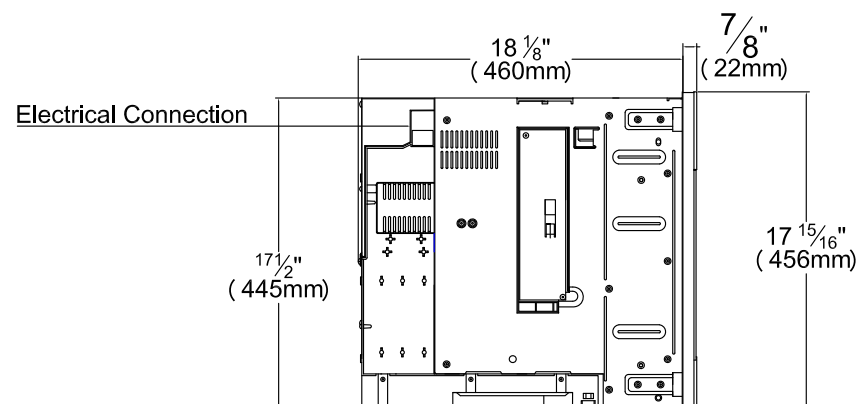


PRODUCT VIEWS

Front View

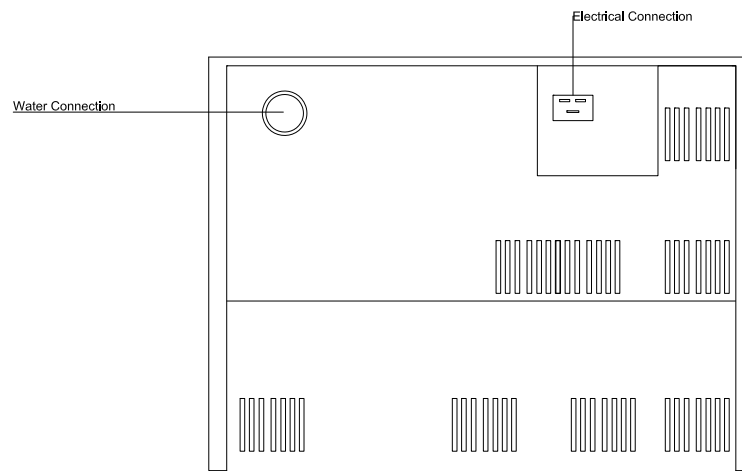


Side View



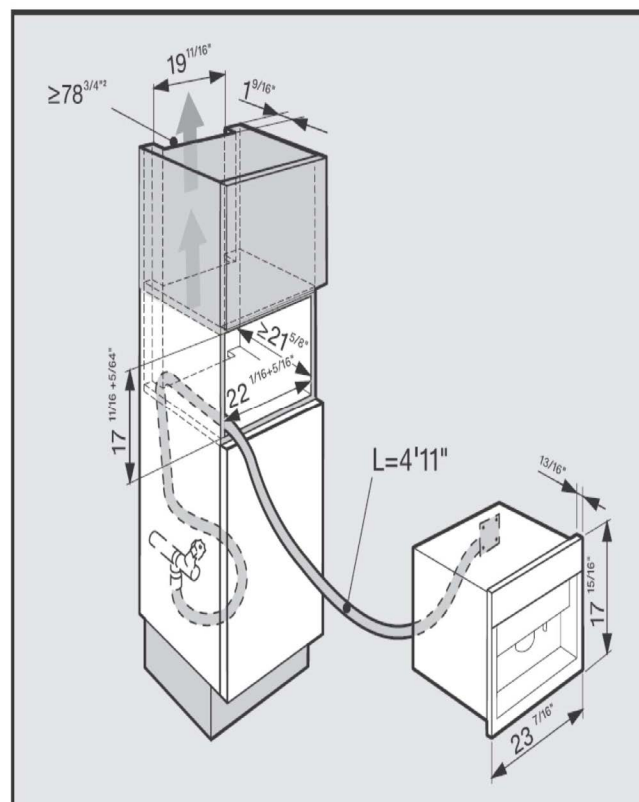
PRODUCT VIEWS

Rear View



INSTALLATION SPECIFICATIONS

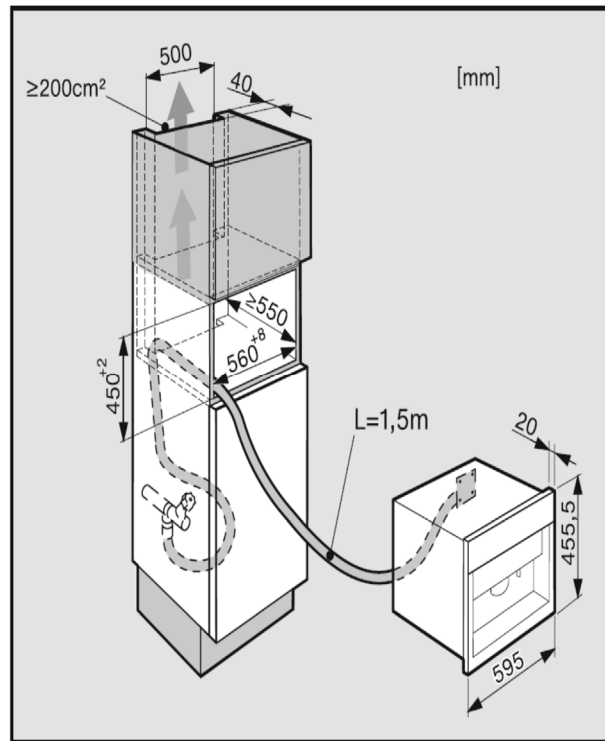
Niche



PLEASE NOTE: The vent cut out must only be at the top of the niche to prevent condensation inside the door and inner components that the customer can see when opening the door.

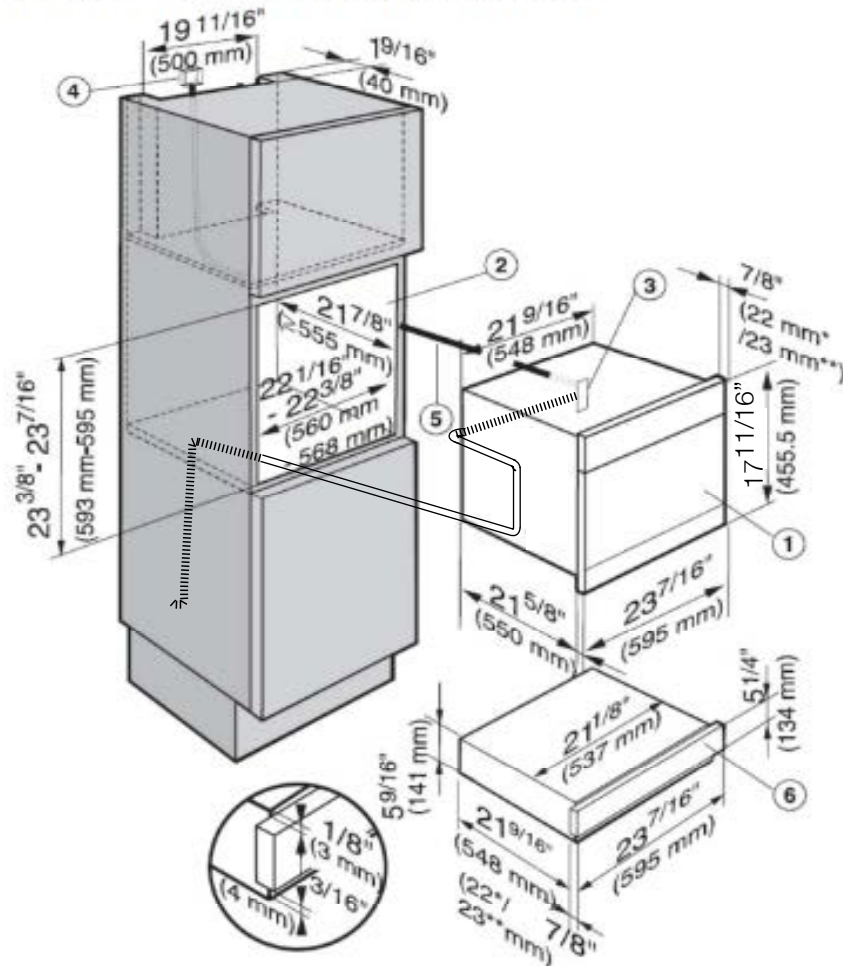
INSTALLATION SPECIFICATIONS

Niche (metric)



PLEASE NOTE: The vent cut out must only be at the top of the niche to prevent condensation inside the door and inner components that the customer can see when opening the door.

INSTALLATION IN COMBINATION WITH WARMING DRAWER



- ① Coffee System
- ② Installation niche
- ③ Power supply to the appliance
- ④ Recommended location for electrical connection
- ⑤ Power cord
- ⑥ Warming drawer