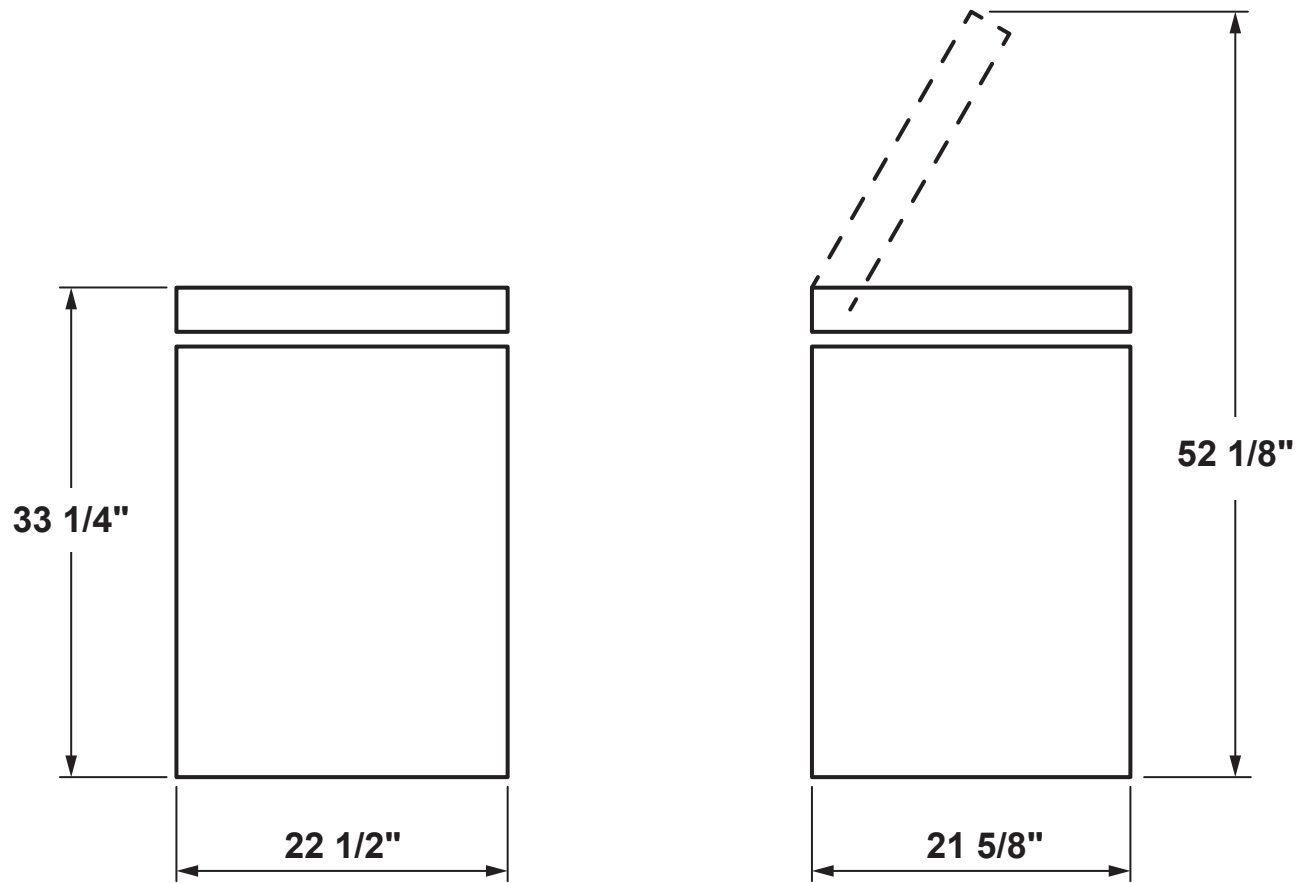


HCM4SM

Hotpoint® 3.6 Cu. Ft. Manual Defrost Chest Freezer

DIMENSIONS AND INSTALLATION INFORMATION

AIR CLEARANCE	
Each side (in.)	3
Back (in.)	3



For answers to your Hotpoint product questions, visit our website at hotpoint.com or call 800.626.2000.



Specification Revised 6/18

HCM4SM

Hotpoint® 3.6 Cu. Ft. Manual Defrost Chest Freezer

FEATURES AND BENEFITS

"Power On" indicator light – Indicator light allows the user to know the freezer is operating at a glance

Easy-access defrost drain – Front drain makes defrosting quick and effortless

Removable basket – Compartmentalize and organize food storage

Model HCM4SMWW – White

