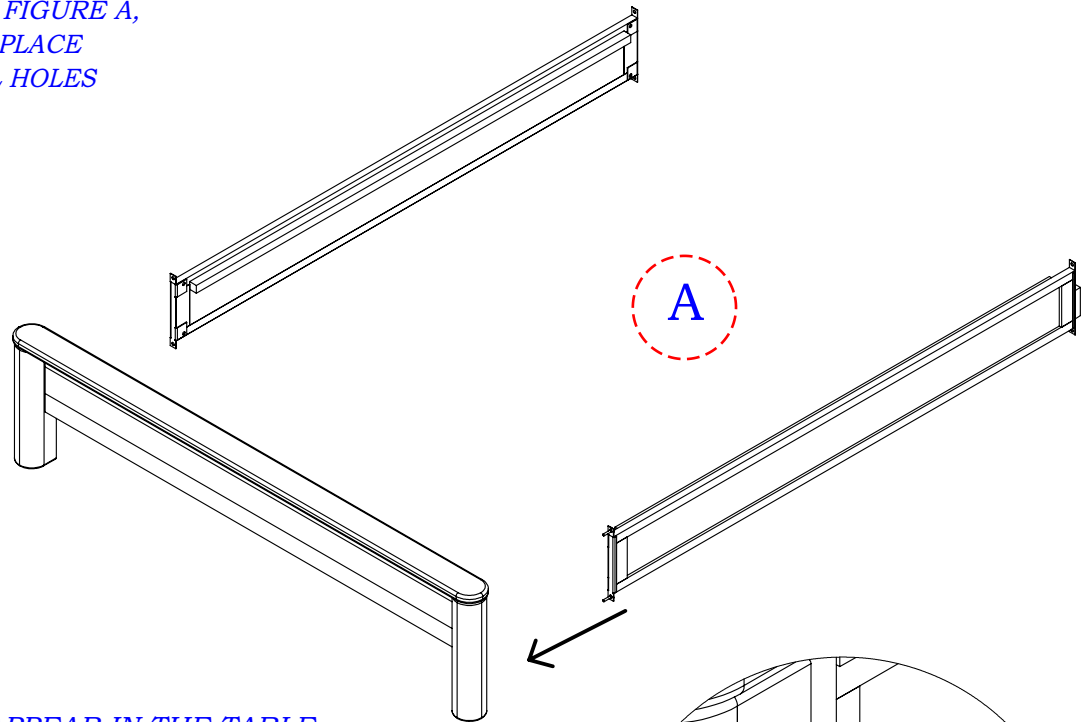


# STEP 1

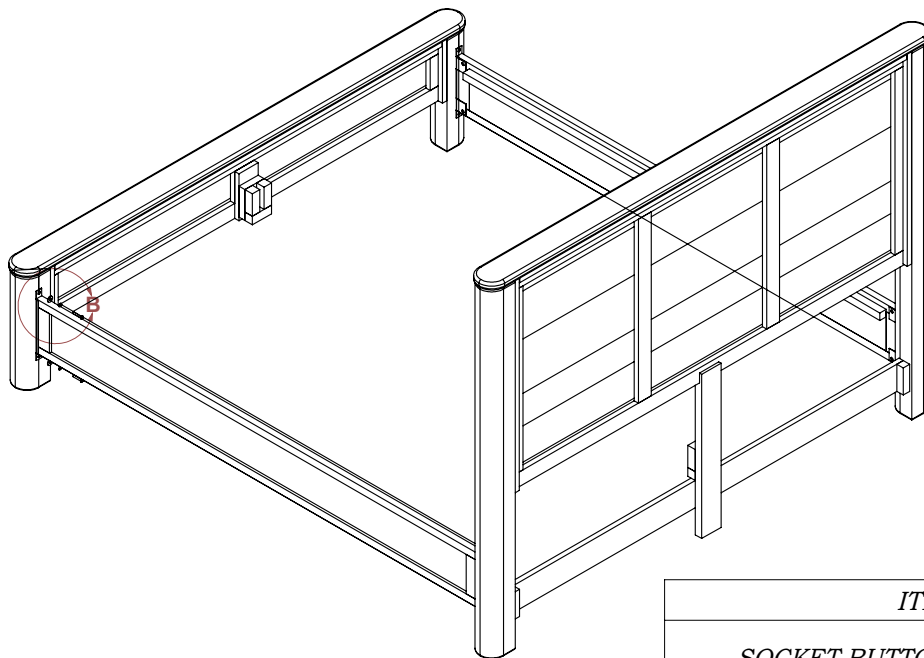
THE IMAGES ARE FOR REFERENCE ONLY

HAVING THE PARTS SHOWN IN FIGURE A,  
PLACE THE RAILS IN FIGURE A, PLACE  
THE RAILS MATCHING THE DRILL HOLES



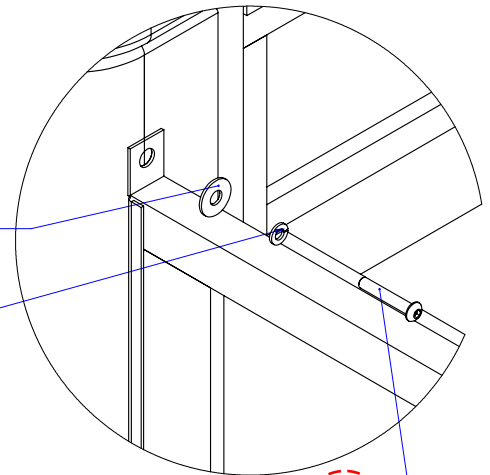
# STEP 2

PLACE THE SCREWS THAT APPEAR IN THE TABLE  
IN THE LOWER RIGHT TABLE AND AS SHOWN IN  
FIGURE B, MATCHING IN FIGURE B, MATCHING  
DRILL HOLE TO DRILL.



FLAT WASHER 5/16 X 1"

LOCK WASHER 5/16"



**B**

SOCKET BUTTON HEAD 5/16 X 1"

ITEM	#
SOCKET BUTTON HEAD 5/16 X 1"	8
LOCK WASHER 5/16"	8
FLAT WASHER 5/16 X 1"	8
ALLEN KEY 3/16 1	1



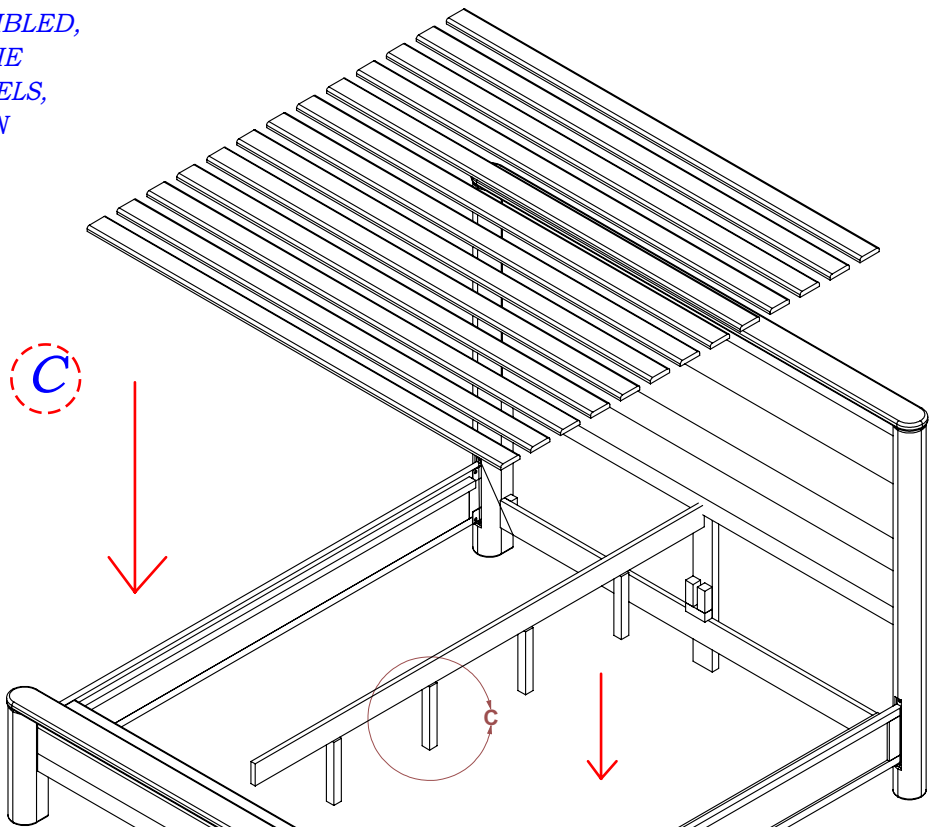
ASSEMBLING  
INSTRUCTIONS

I-PLT-E016

# STEP 3

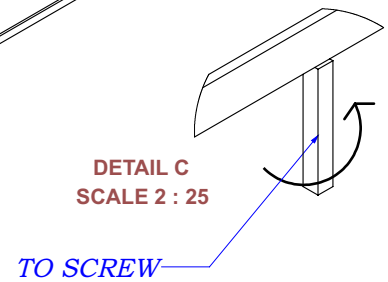
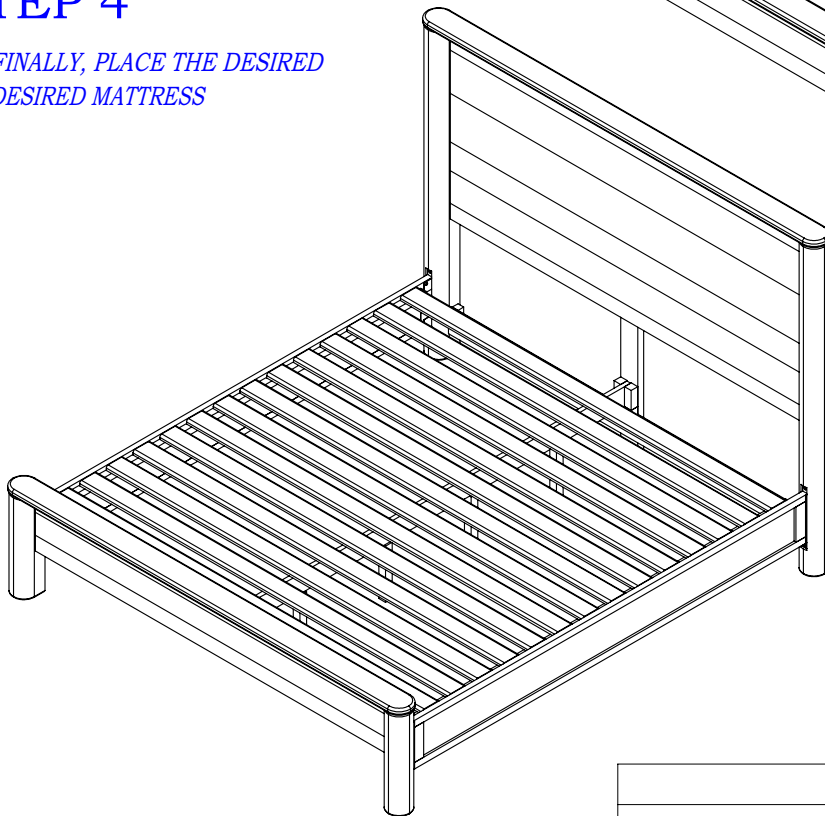
THE IMAGES ARE FOR REFERENCE ONLY

ONCE ALL THE HARDWARE IS ASSEMBLED,  
FIRST PLACE THE CROSSBAR WITH THE  
HEELS THE CROSSBEAM WITH THE HEELS,  
THEN PLACE THE DECKING AS SHOWN IN  
THE FIGURE. C



# STEP 4

FINALLY, PLACE THE DESIRED  
DESIRED MATTRESS



ASSEMBLING  
INSTRUCTIONS

I-PLT-E016

ITEM	#
SOCKET BUTTON HEAD 5/16 X 1"	8
LOCK WASHER 5/16"	8
FLAT WASHER 5/16 X 1"	8
ALLEN KEY 3/16 1	1