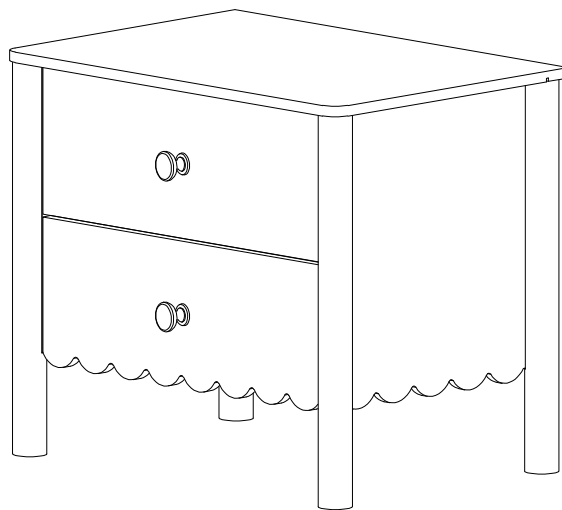


# ASSEMBLY INSTRUCTIONS

# MOD-7206

V1.08.04.25



**Questions? Contact us!**

609.256.9000 • [cs@modway.com](mailto:cs@modway.com)  
[www.modway.com](http://www.modway.com)

**\*modway**

# Let's get started!

\*modway



Read through all of the instructions before starting



Care instructions are listed in the last step of this manual



Approx. 60 minutes assembly time



Make sure you have all parts and components before discarding any packing materials



2 people recommended for assembly

**Only use hand tools to assemble this item.** Do not use power tools.

Do not tighten bolts or screws completely until all hardware is lined up and inserted into the holes.

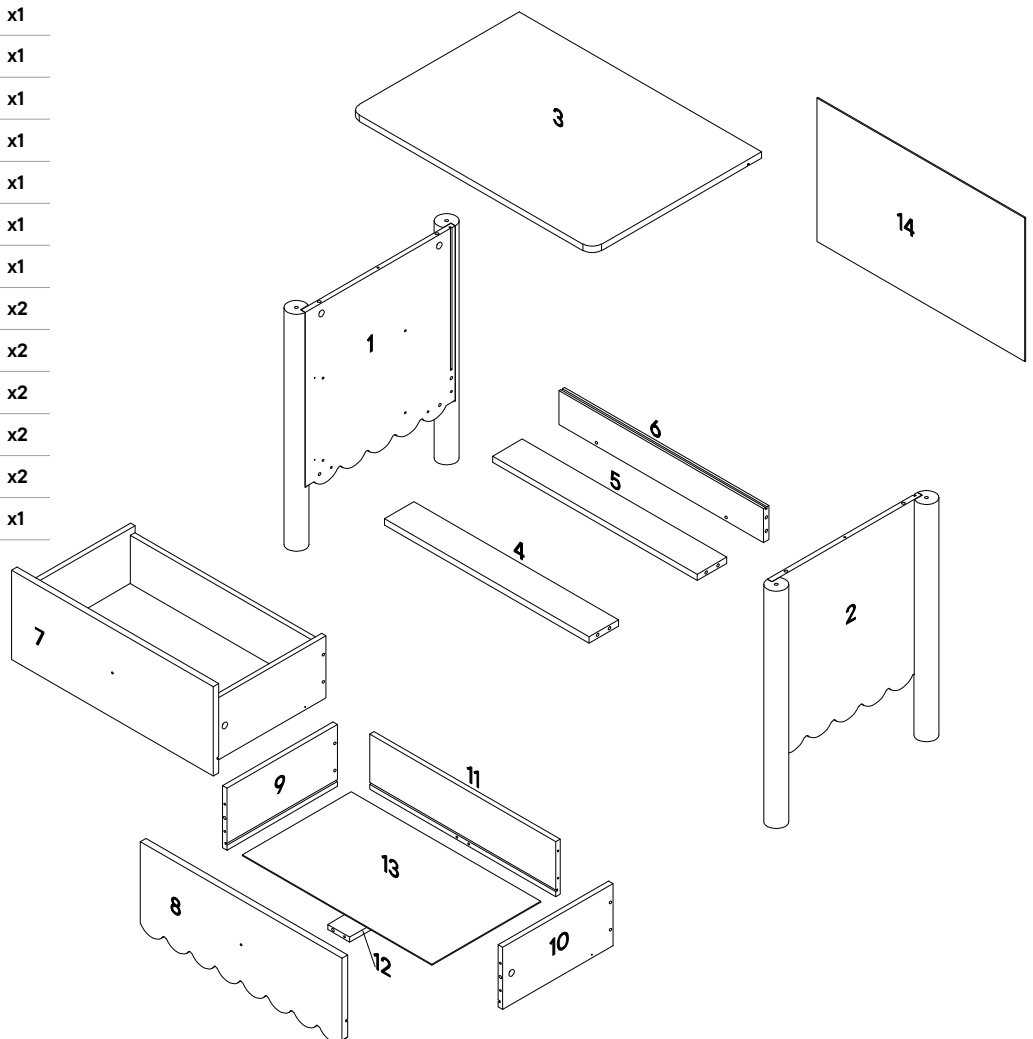
Do not over-tighten screws and bolts to avoid stripping the hardware or cracking the item.

Assemble your item on a flat, carpeted area, with plenty of space to work. This will prevent damage and scratches to your floors or the item while you're assembling the product.

Keep all components and packaging out of reach of children or animals to avoid risk of choking or suffocation.

## Furniture components:

1	Side Panel Left	x1
2	Side Panel Right	x1
3	Top Panel	x1
4	Front Support Panel	x1
5	Back Support Panel	x1
6	Support Panel	x1
7	Drawer Front Top	x1
8	Drawer Front Bottom	x1
9	Drawer Side Left	x2
10	Drawer Side Right	x2
11	Drawer Back	x2
12	Drawer Support	x2
13	Drawer Bottom	x2
14	Back Panel	x1






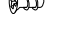

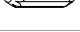
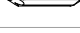
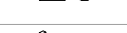
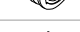

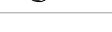







Wait!

Missing parts or hardware? Need assistance?

Contact us before returning your item. We're here to help!

609.256.9000 • cs@modway.com

## Provided hardware:

A.		Screw M3 x 12 mm	x4
B.		Screw M3.5 x 12 mm	x12
C.		Screw M3.5 x 15 mm	x4
D.		Screw M6 x 9 mm	x8
E.		Screw M6 x 40 mm	x10
F.		Wood Dowel Ø6 x 20 mm	x14
G.		Wood Dowel Ø8 x 25 mm	x10
H.		Cam Bolt 20 x 5 mm	x18
J.		Cam Lock 15/15	x6
K.		Cam Lock 15/12	x12
L.		Handle	x2
M1.		Drawer Slide CR (300mm)	x2
M2.		Drawer Slide CL (300mm)	x2
N1.		Drawer Slide DR (300mm)	x2
N2.		Drawer Slide DL (300mm)	x2
P.		Plastic Leg Stud	x4
Q.		Allen Key	x1
R.		Wedge	x4

## What you need:



## You may also need:

+ Level  
+ Hammer

**Wait!**

**Missing parts or hardware? Need assistance?**  
Contact us before returning your item. We're here to help!  
609.256.9000 • cs@modway.com

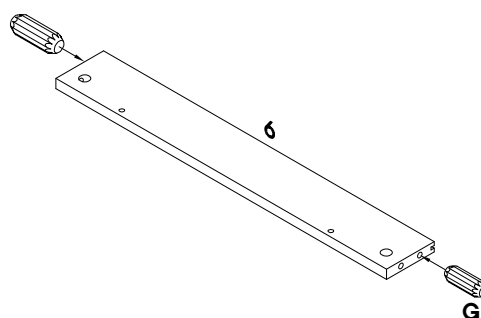
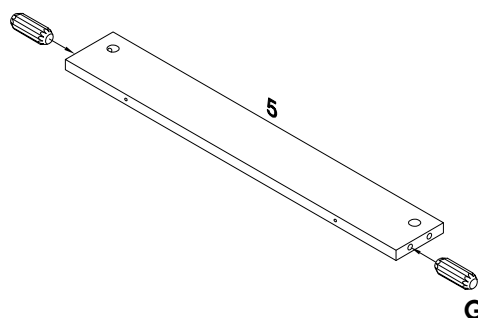
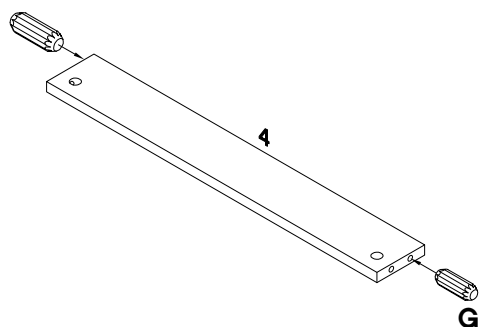
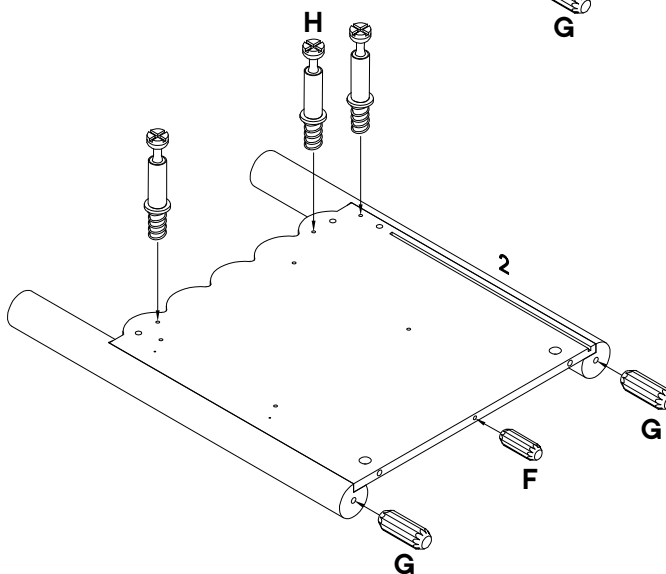
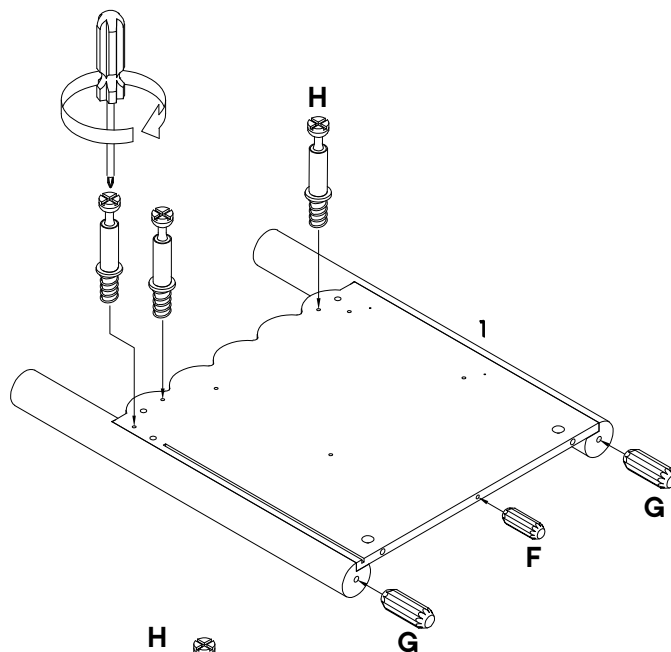
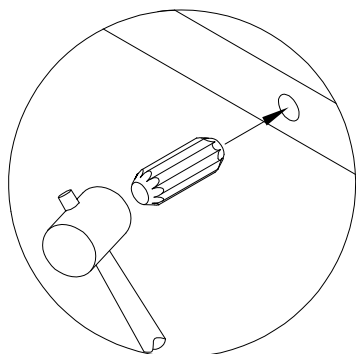
# Step 1

## HARDWARE

<b>F</b> Wood Dowel Ø6 x 20 mm	x2
<b>G</b> Wood Dowel Ø8 x 25 mm	x10
<b>H</b> Cam Bolt 20 x 5	x6

## COMPONENTS

<b>1</b> Side Panel Left	x1
<b>2</b> Side Panel Right	x1
<b>4</b> Front Support Panel	x1
<b>5</b> Back Support Panel	x1
<b>6</b> Support Panel	x1



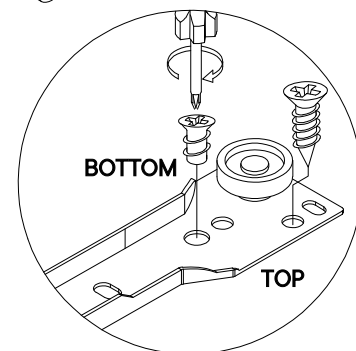
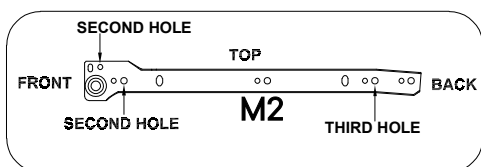
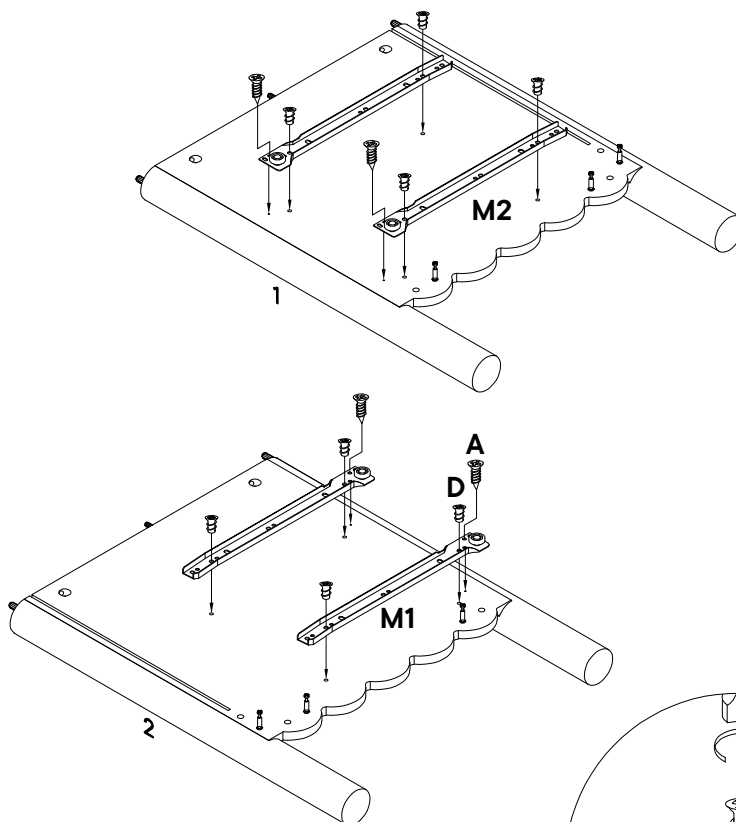
## Step 2

### HARDWARE

<b>A</b> Screw M3 x 12 mm	x4
<b>D</b> Screw M6 x 9 mm	x8
<b>M1</b> Drawer Slide CR (300mm)	x2
<b>M2</b> Drawer Slide CL (300mm)	x2

### COMPONENTS

<b>1</b> Side Panel Left	x1
<b>2</b> Side Panel Right	x1



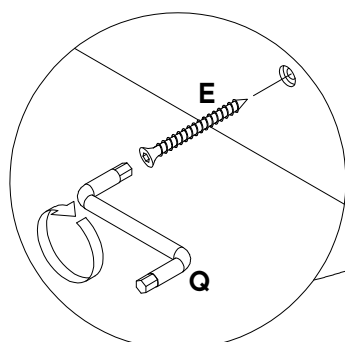
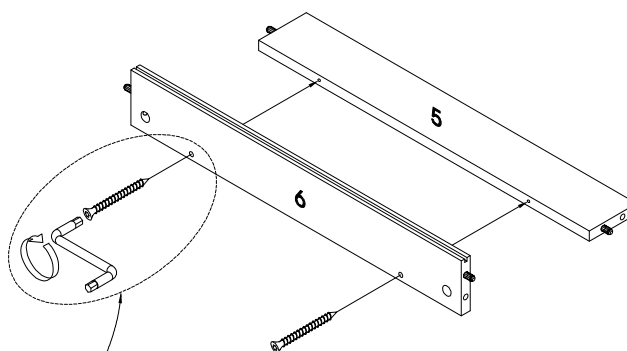
## Step 3

### HARDWARE

<b>E</b> Screw M6 x 40 mm	x2
<b>Q</b> Allen Key	x1

### COMPONENTS

<b>5</b> Back Support Panel	x1
<b>6</b> Support Panel	x1



# Step 4

## HARDWARE

**J** Cam Lock 15/15 x3

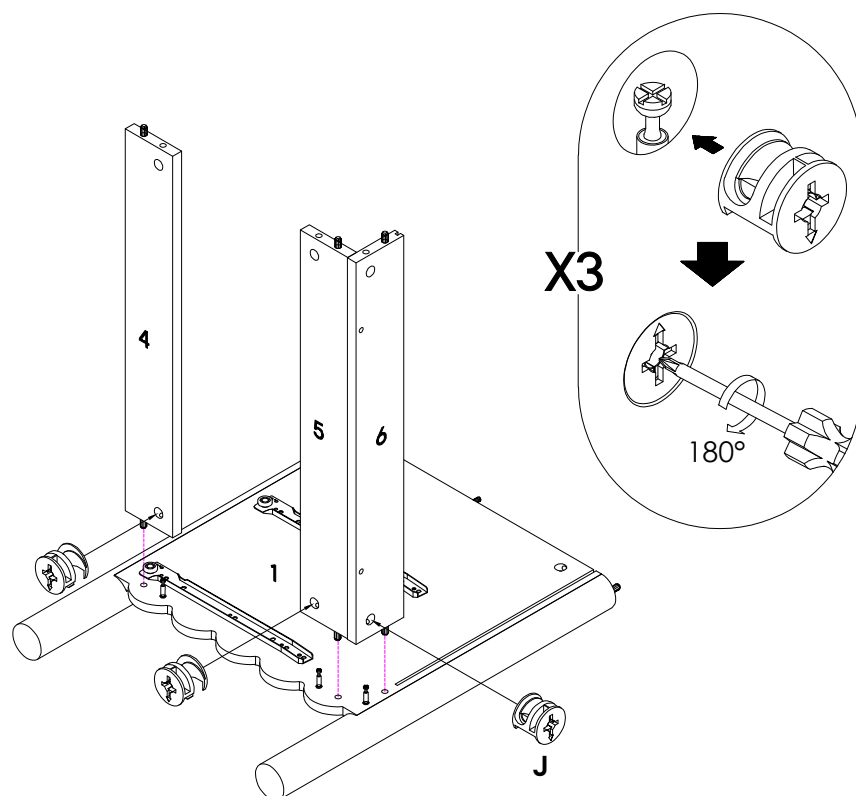
## COMPONENTS

**1** Side Panel Left x1

**4** Front Support Panel x1

**5** Back Support Panel x1

**6** Support Panel x1



# Step 5

## HARDWARE

**J** Cam Lock 15/15 x3

**P** Plastic Leg Stud x4

## COMPONENTS

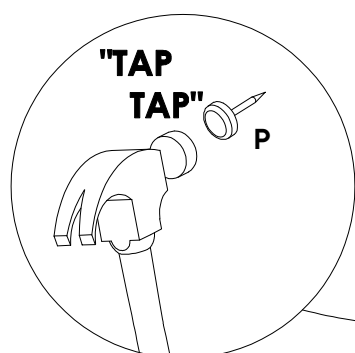
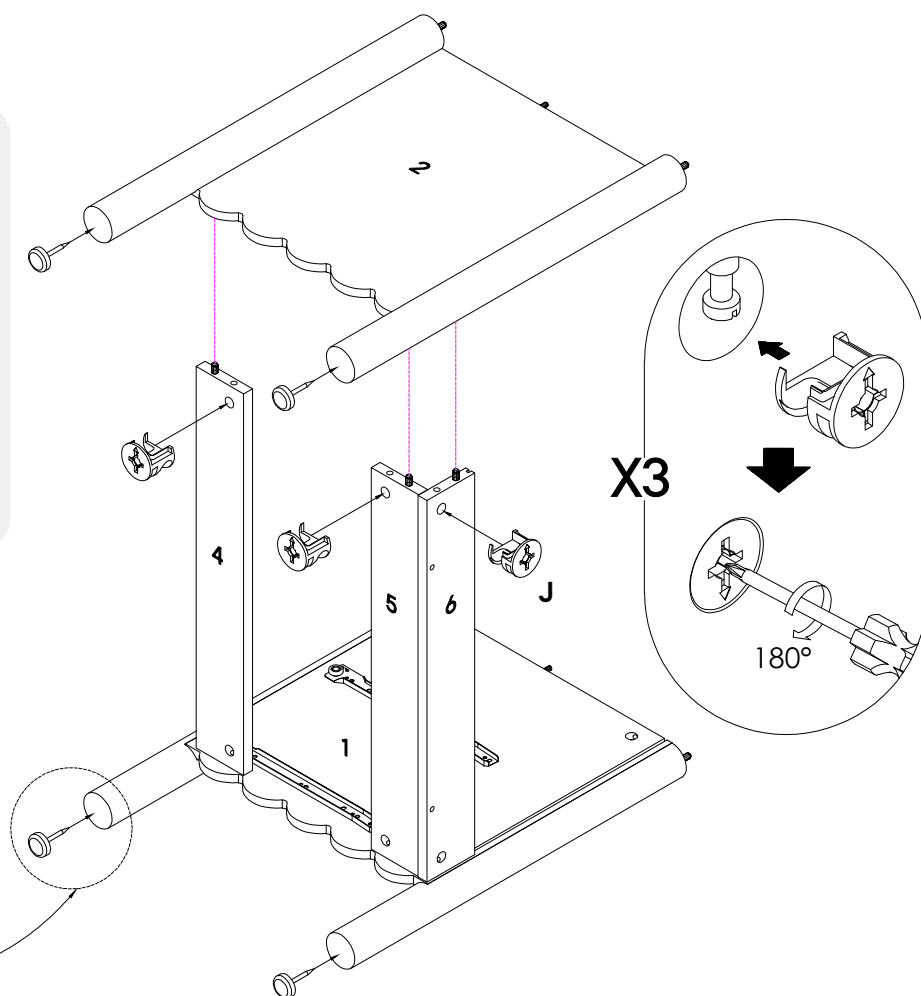
**1** Side Panel Left x1

**2** Side Panel Right x1

**4** Front Support Panel x1

**5** Back Support Panel x1

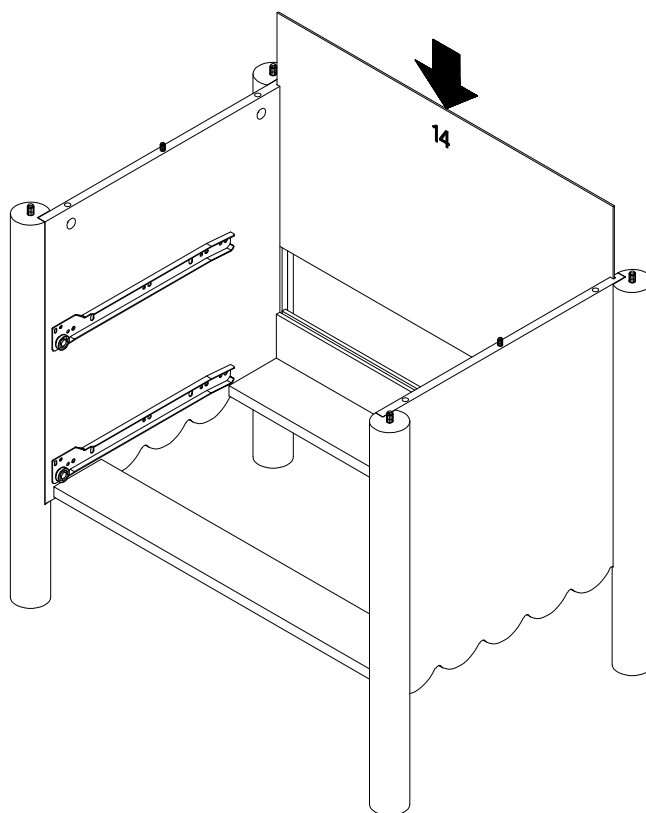
**6** Support Panel x1



# Step 6

**COMPONENTS**

- 14** Back Panel x1



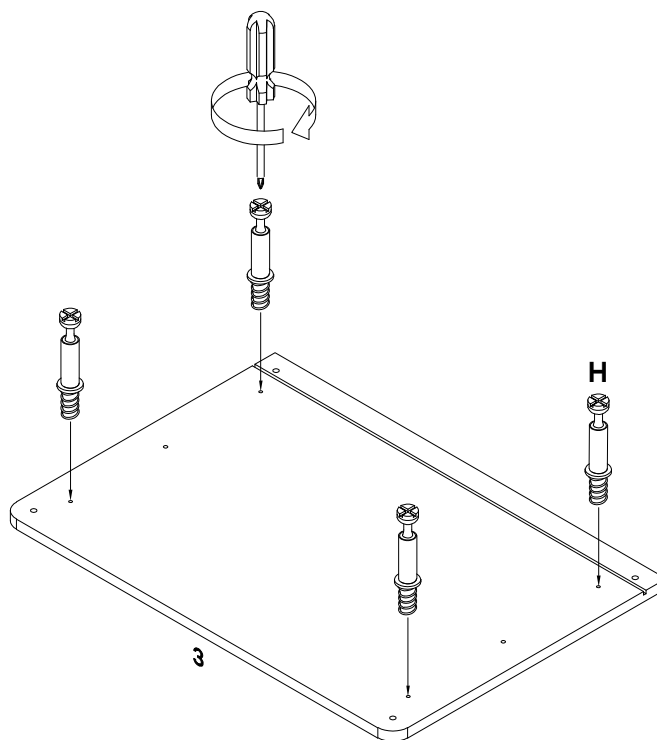
# Step 7

**HARDWARE**

- H** Cam Bolt 20 x 5 mm x4

**COMPONENTS**

- 3** Top Panel x1



# Step 8

## HARDWARE

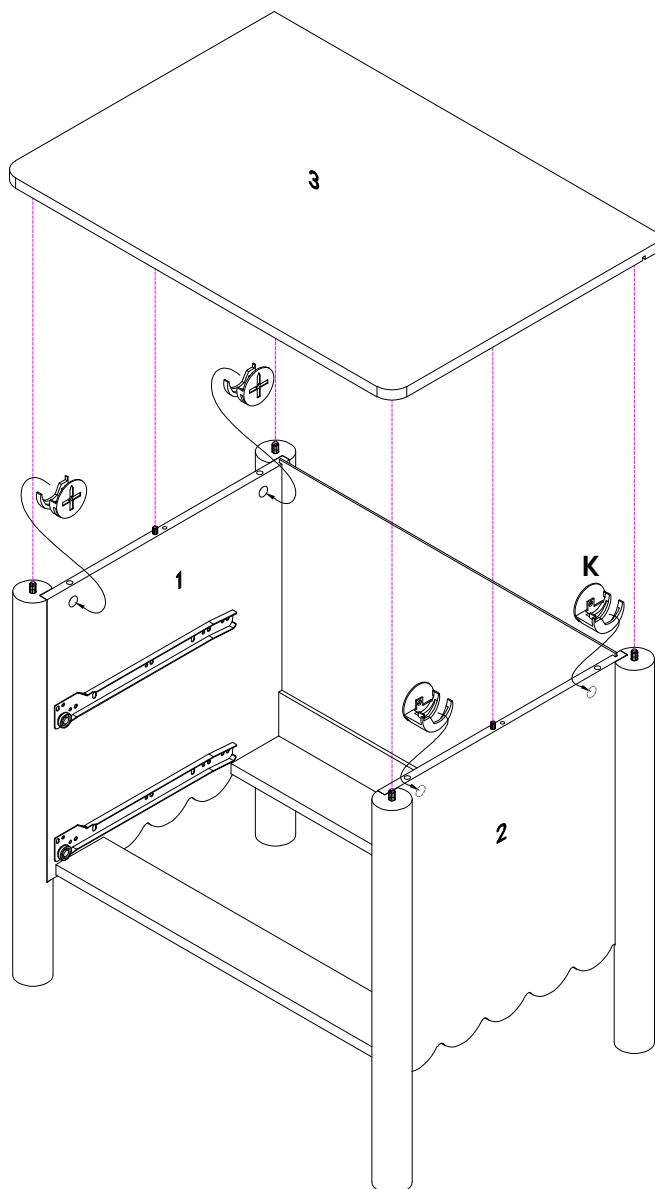
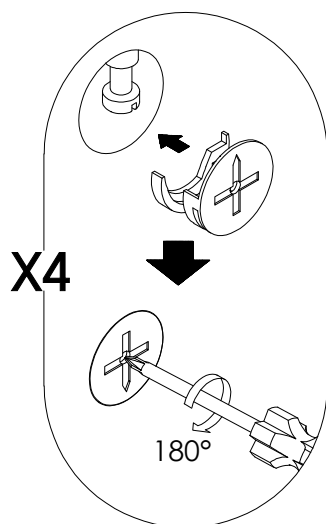
**K** Cam Lock 15/12 x4

## COMPONENTS

**1** Side Panel Left x1

**2** Side Panel Right x1

**3** Top Panel x1



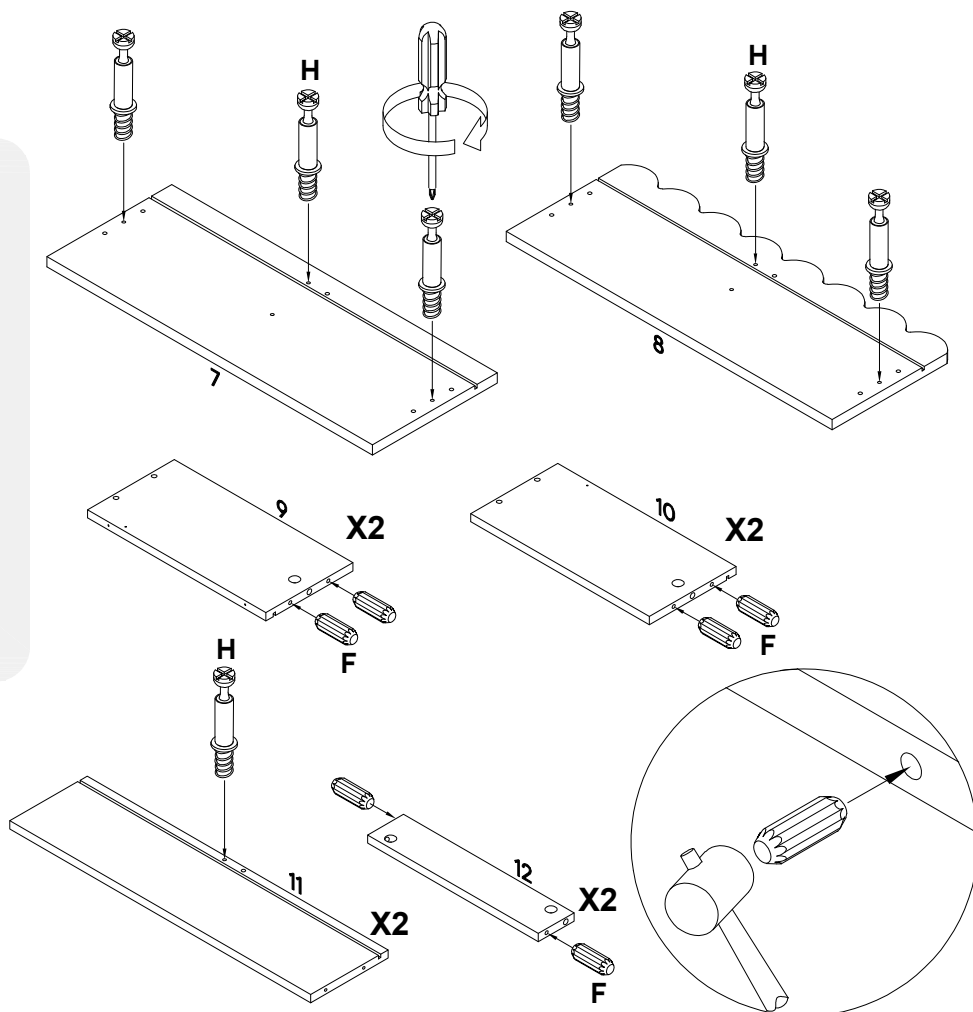
# Step 9

## HARDWARE

- F** Wood Dowel Ø6 x 20 mm x12
- H** Cam Bolt 20 x 5 mm x8

## COMPONENTS

- 7** Drawer Front Top x1
- 8** Drawer Front Bottom x1
- 9** Drawer Side Left x2
- 10** Drawer Side Right x2
- 11** Drawer Back x2
- 12** Drawer Support x2



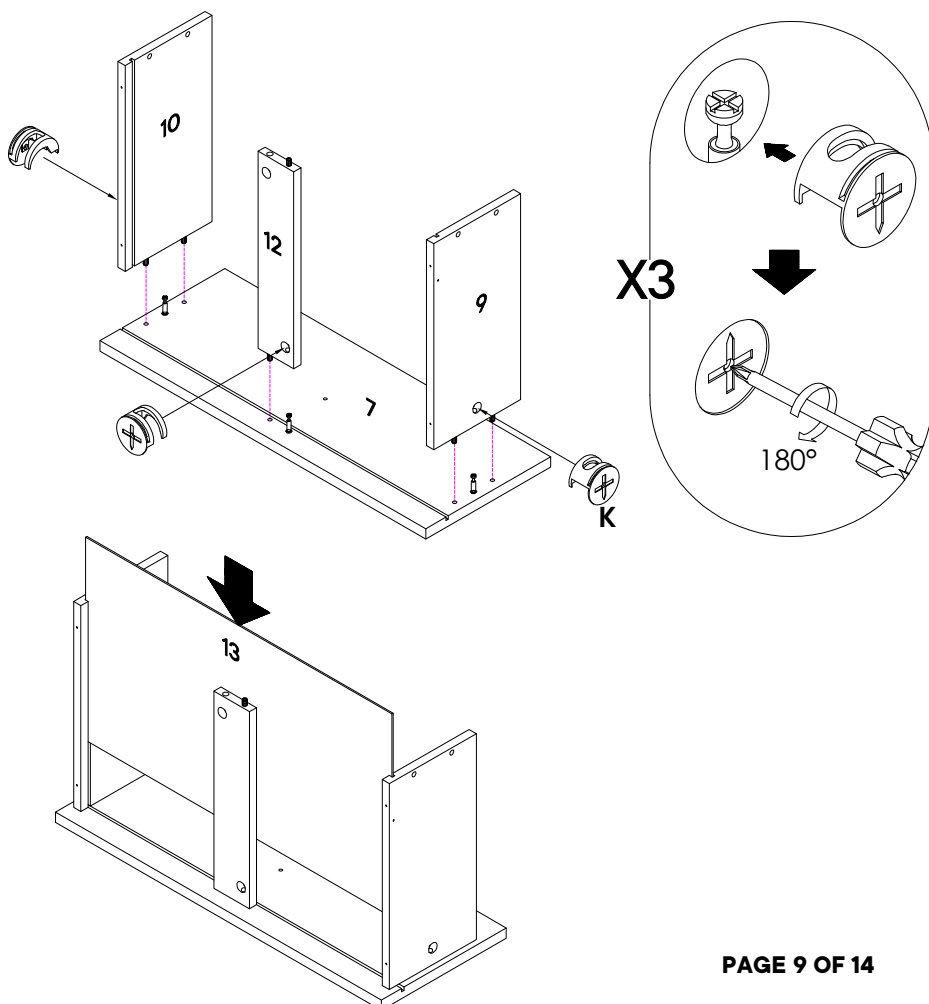
# Step 10

## HARDWARE

- K** Cam Lock 15/12 x3

## COMPONENTS

- 7** Drawer Front Top x1
- 9** Drawer Side Left x1
- 10** Drawer Side Right x1
- 12** Drawer Support x1
- 13** Drawer Bottom x1



# Step 11

## HARDWARE

**K** Cam Lock 15/12 x3

## COMPONENTS

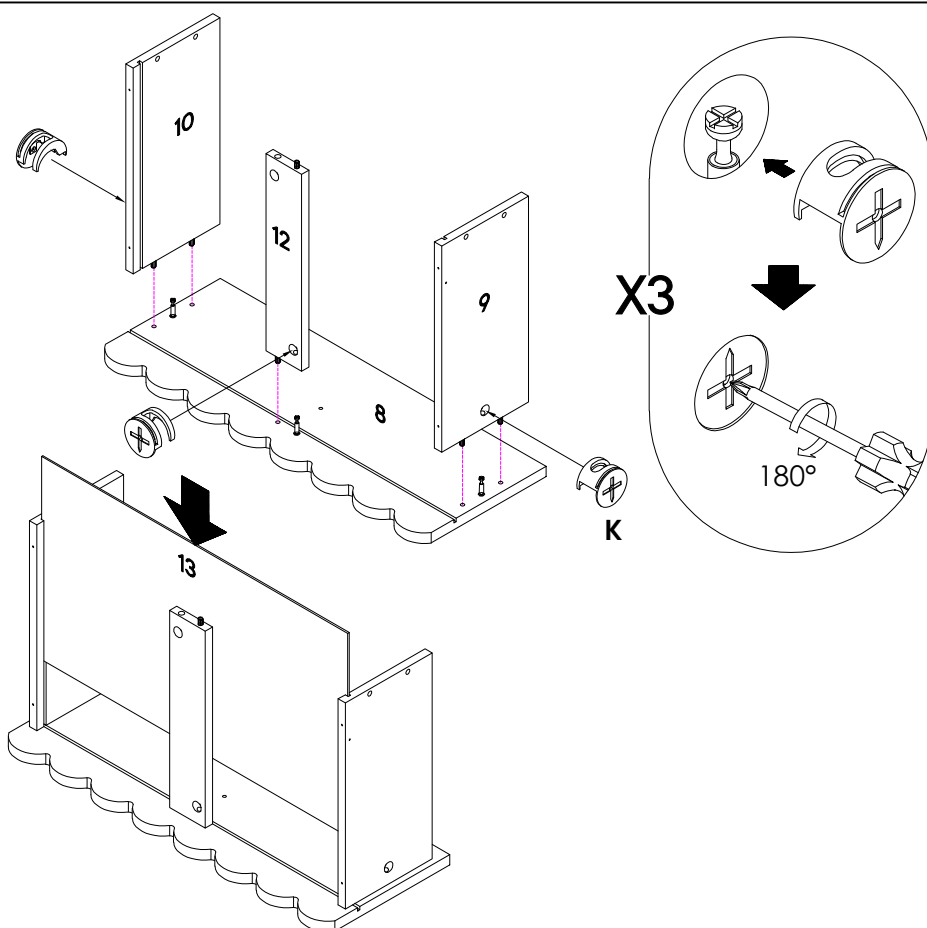
**8** Drawer Front Bottom x1

**9** Drawer Side Left x1

**10** Drawer Side Right x1

**12** Drawer Support x1

**13** Drawer Bottom x1



# Step 12

## HARDWARE

**E** Screw M6 x 40 mm x8

**K** Cam Lock 15/12 x2

**Q** Allen Key x1

## COMPONENTS

**7** Drawer Front Top x1

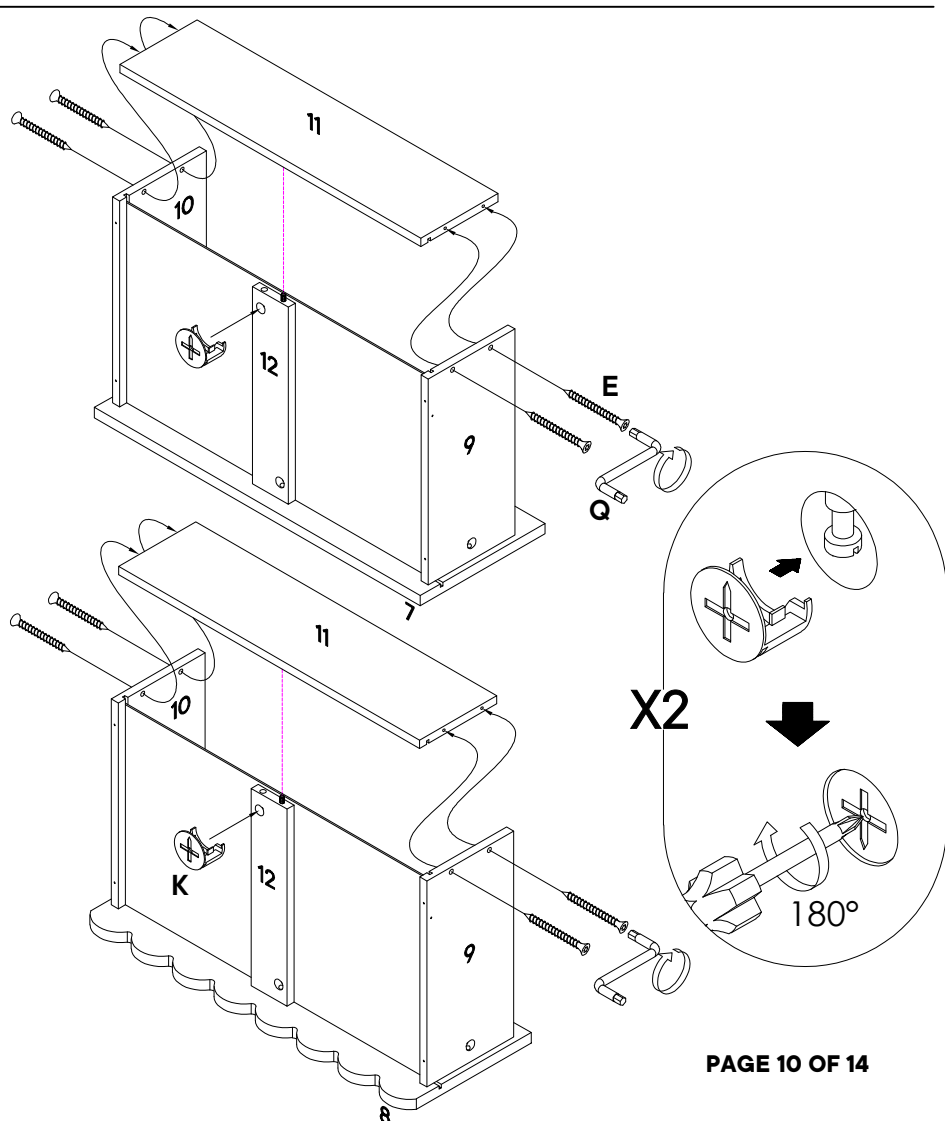
**8** Drawer Front Bottom x1

**9** Drawer Side Left x2

**10** Drawer Side Right x2

**11** Drawer Back x2

**12** Drawer Support x1



# Step 13

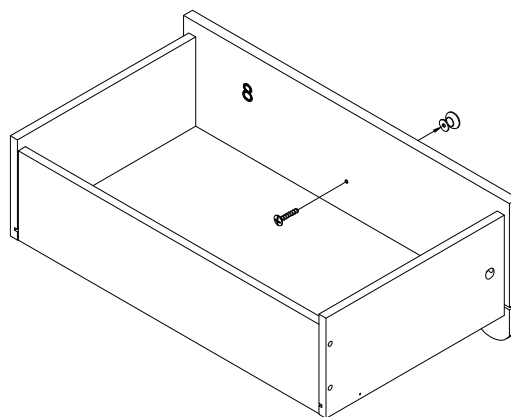
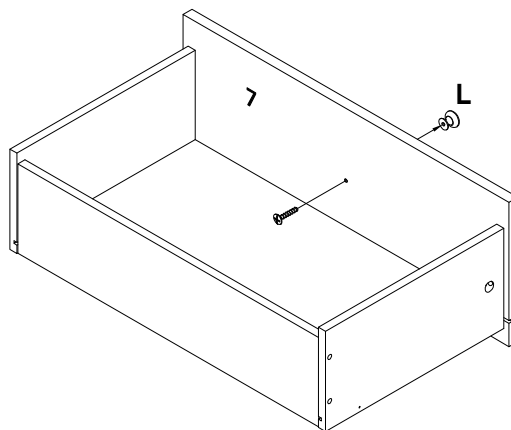
## HARDWARE

**L** Handle x2

## COMPONENTS

**7** Drawer Front Top x1

**8** Drawer Front Bottom x1



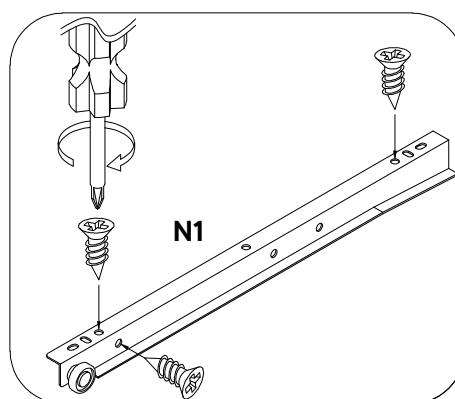
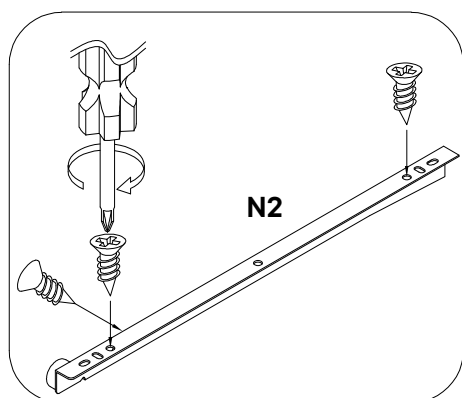
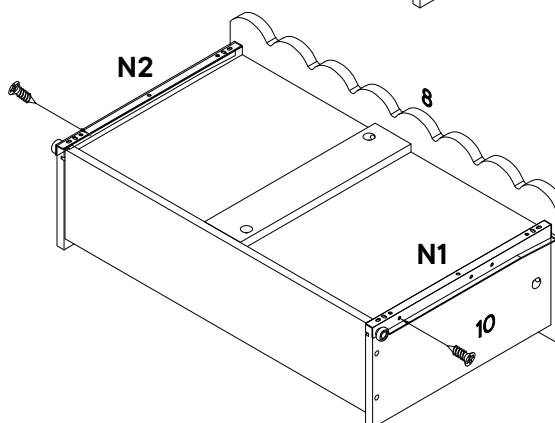
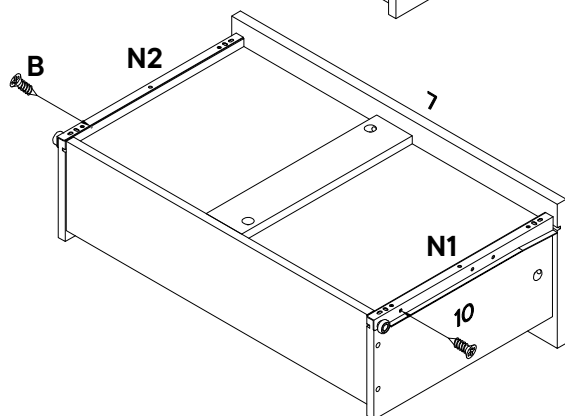
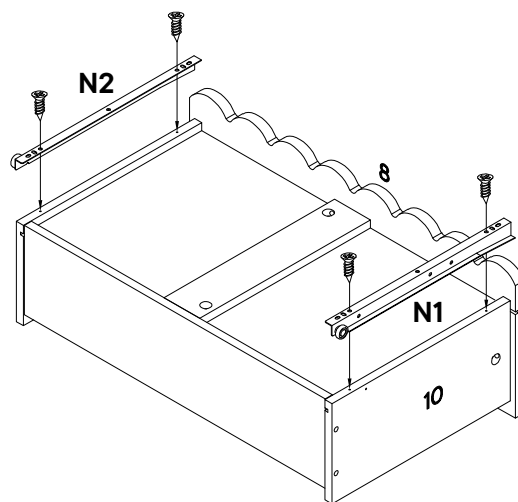
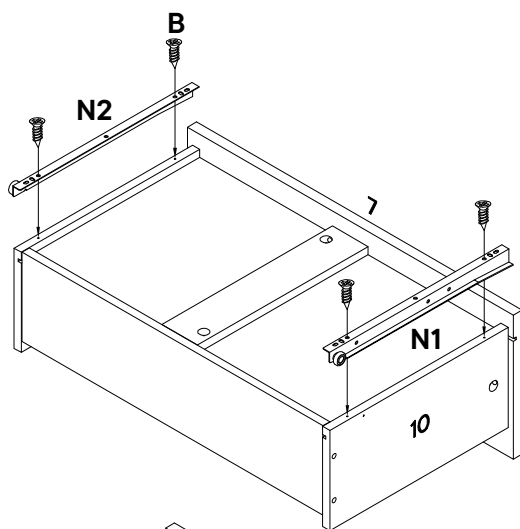
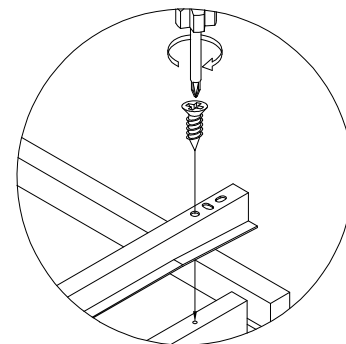
# Step 14

## HARDWARE

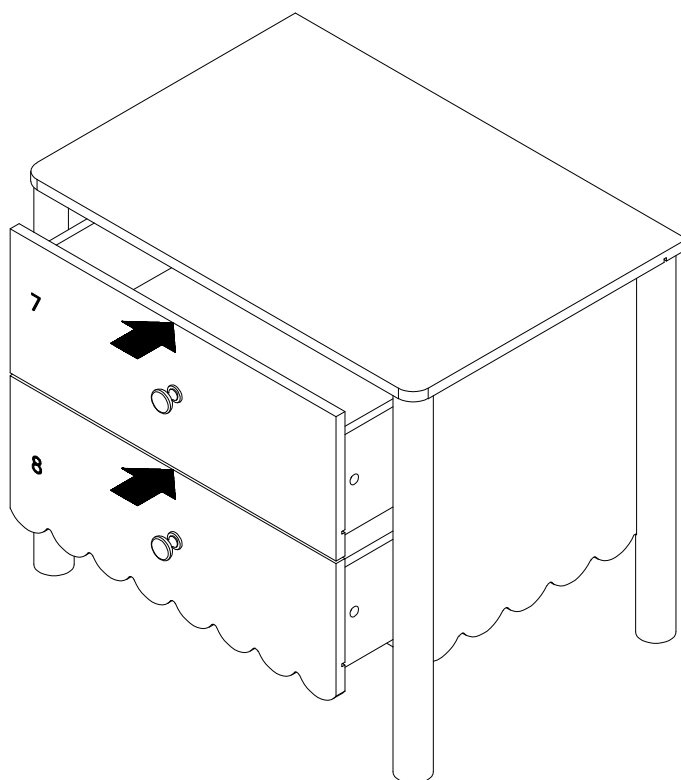
<b>B</b> Screw M3.5 x 12 mm	x12
<b>N1</b> Drawer Slide DR (300mm)	x2
<b>N2</b> Drawer Slide DL (300mm)	x2

## COMPONENTS

<b>7</b> Drawer Front Top	x1
<b>8</b> Drawer Front Bottom	x1
<b>9</b> Drawer Side Left	x2
<b>10</b> Drawer Side Right	x2



# Step 15



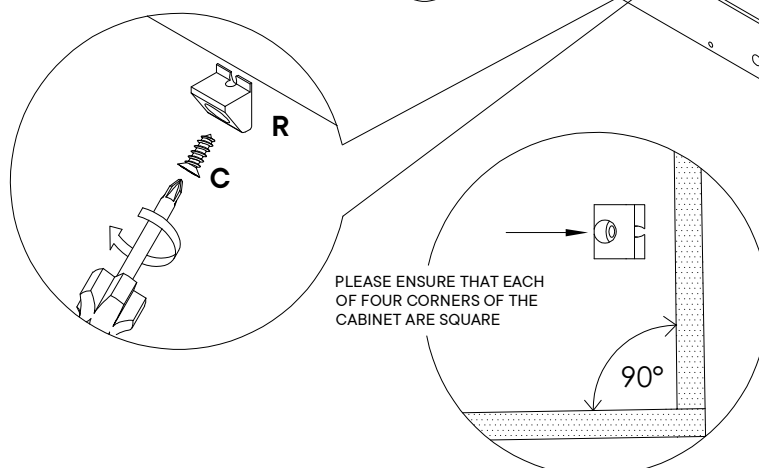
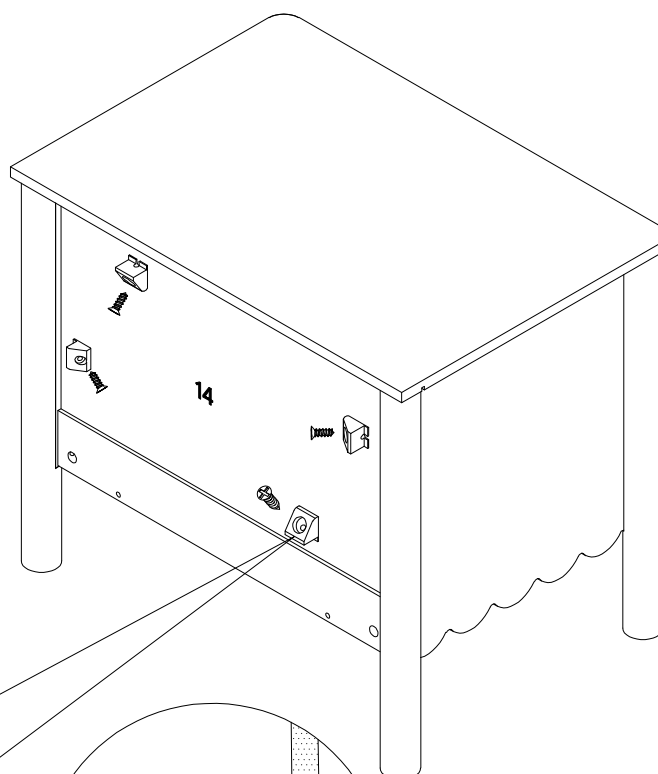
# Step 16

## HARDWARE

- C** Screw M3.5 x 15 mm x4
- R** Wedges x4

## COMPONENTS

- 14** Back Panel x1



# Great job!

Your Night stand is complete

## ♥ CARING FOR YOUR ITEM

Indoor use only.

Not contract grade.

Clean using a non-abrasive cloth and a mild cleaner.

Never use harsh chemicals, as they could damage the finish or integrity of the item.

CONNECT WITH US!   

Tag us [@modway\\_furniture](#) and [#modway](#) for a chance to be featured.

