

SERVICE INSTRUCTIONS



REPLACEMENT OF OVEN FLUE COVERS AND FLAME SPREADERS

ALL GAS RANGE MODELS: KRG30x, KRG36x, KRG48x

IMPORTANT - READ ALL INSTRUCTIONS BEFORE YOU BEGIN

THE INSTRUCTIONS HEREIN SHOULD BE PERFORMED BY A QUALIFIED SERVICE TECHNICIAN.

Some parts inside your appliance have sharp edges. Care must be taken when handling the various components to avoid personal injury. Wear gloves when handling.

To perform the oven flue replacement, the range will need to be pulled out of its enclosure. Please make sure to cover the work area and that your surroundings are free of any obstacles.

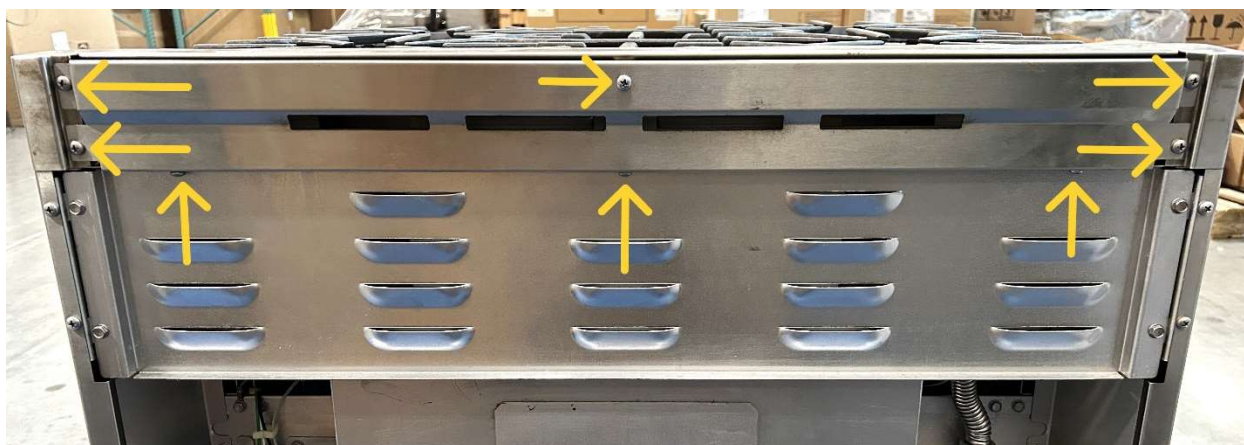
TOOLS REQUIRED:

- Work gloves
- Safety glasses
- Phillips and Flat-blade screwdriver
- 5/16" nut-driver or ratchet with 5/16" socket
- Plastic pry tool

STEP I

Unplug the power cord from the outlet and shut off the gas source.

Remove the riser cover by removing eight Phillips screws, as seen below.





SERVICE INSTRUCTIONS *(continued)*

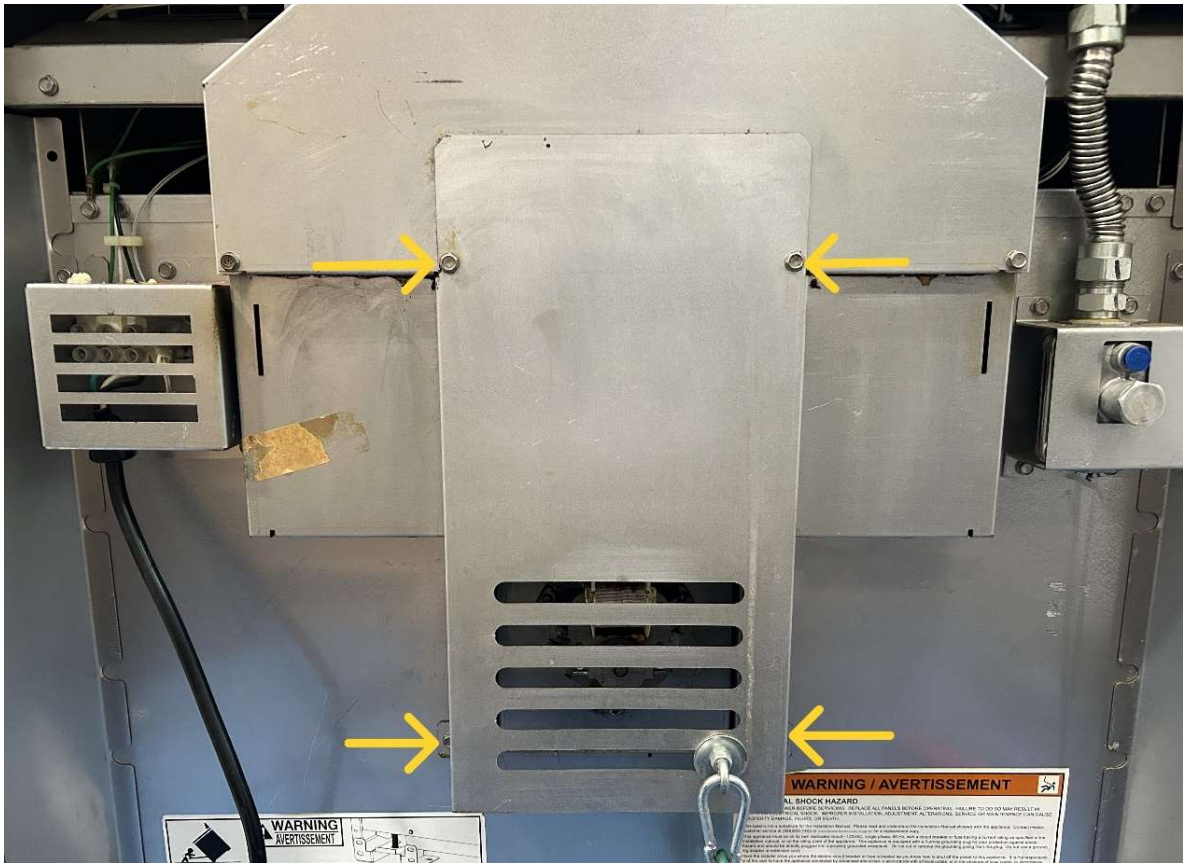
STEP 2

Remove the rear cover by removing four hex head screws using a 5/16" socket.



STEP 3

Remove the convection fan cover by removing four hex head screws using a 5/16" socket.

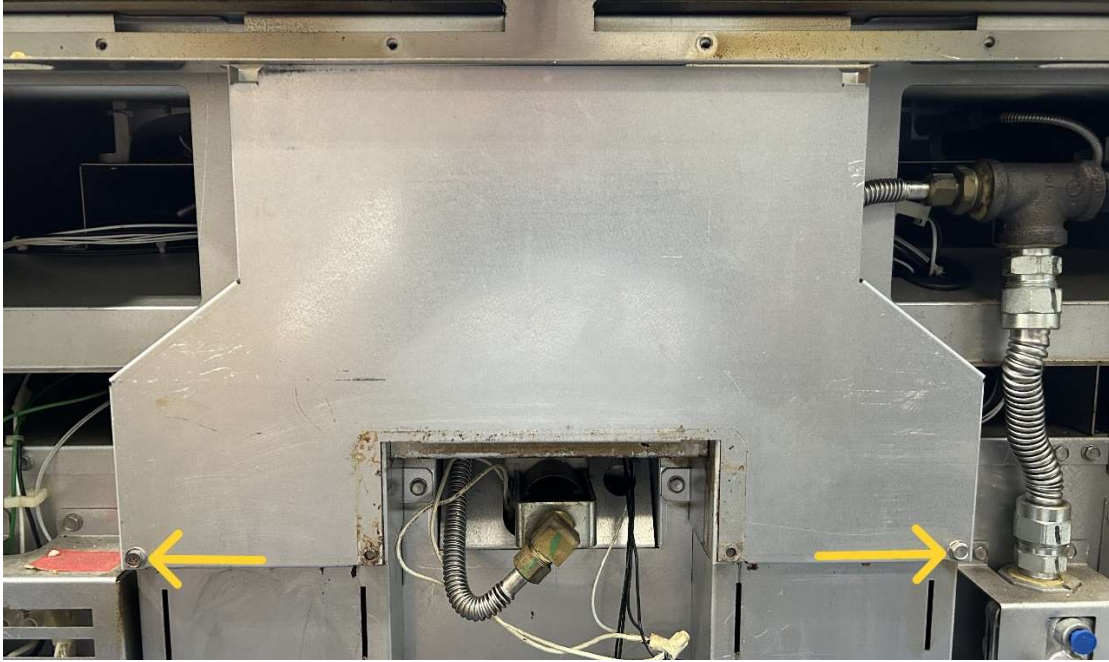




SERVICE INSTRUCTIONS *(continued)*

STEP 4

Remove two hex head screws holding the outer cover.



STEP 5

Grab the outer cover and remove it by pulling it up and away from the assembly.

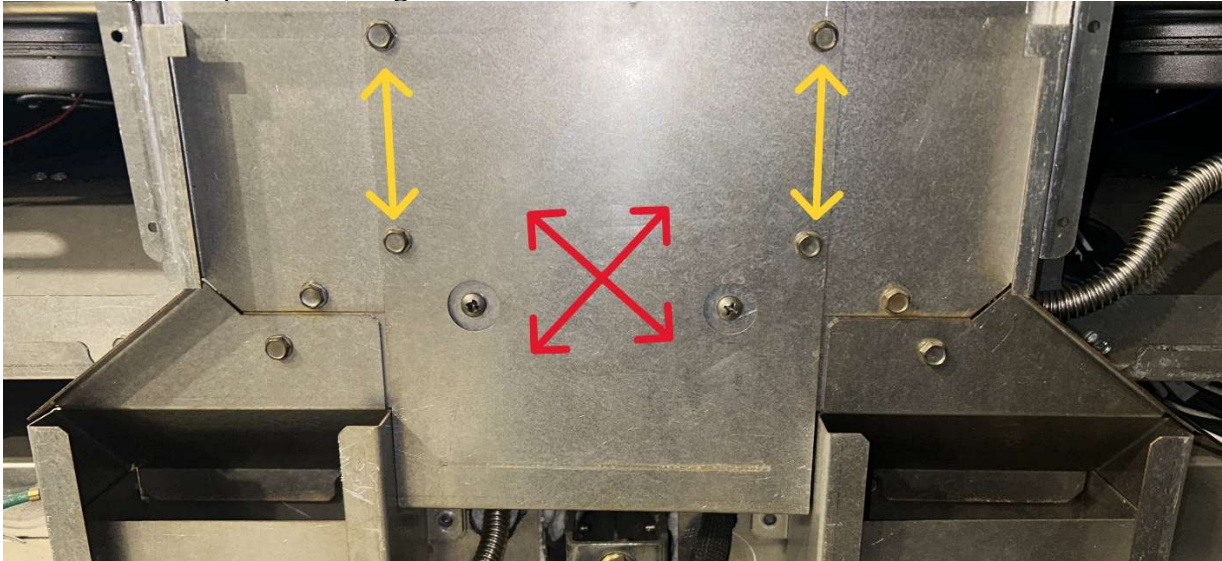




SERVICE INSTRUCTIONS *(continued)*

STEP 6

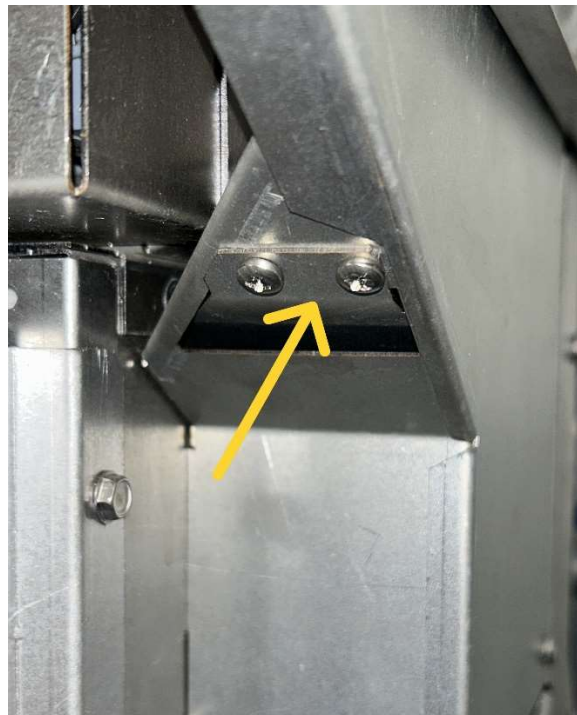
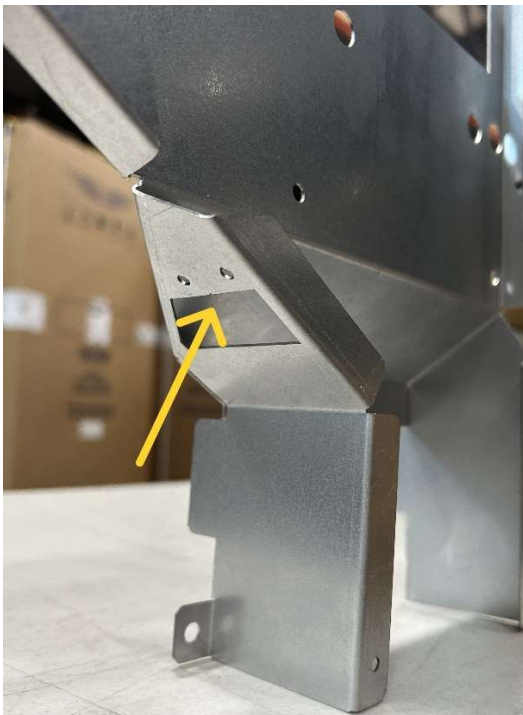
Identify the old flue cover (marked red), remove the hex screws (marked yellow) and replace it with the updated parts following the list below:



- KRG30x use kit part# 049527.
- KRG36x use kit part# 049527.
- KRG48x use kit part# 049528.

STEP 7

For kit part# 049528, install the diverter on the 18" oven exhaust cover using two Phillips screws as seen below.





SERVICE INSTRUCTIONS *(continued)*

STEP 8

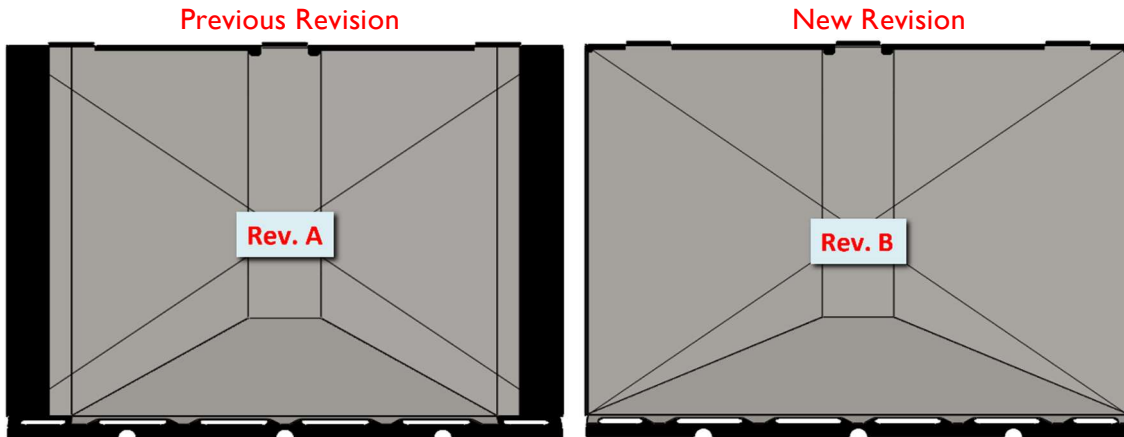
Reverse steps to reassemble the back of the unit and proceed to inspect the flame spreaders.

STEP 9

Open the oven door, remove the racks and using a plastic prying tool, pry the bottom cover away from the frame of the unit. Lift the bottom cover and inspect the flame spreader.

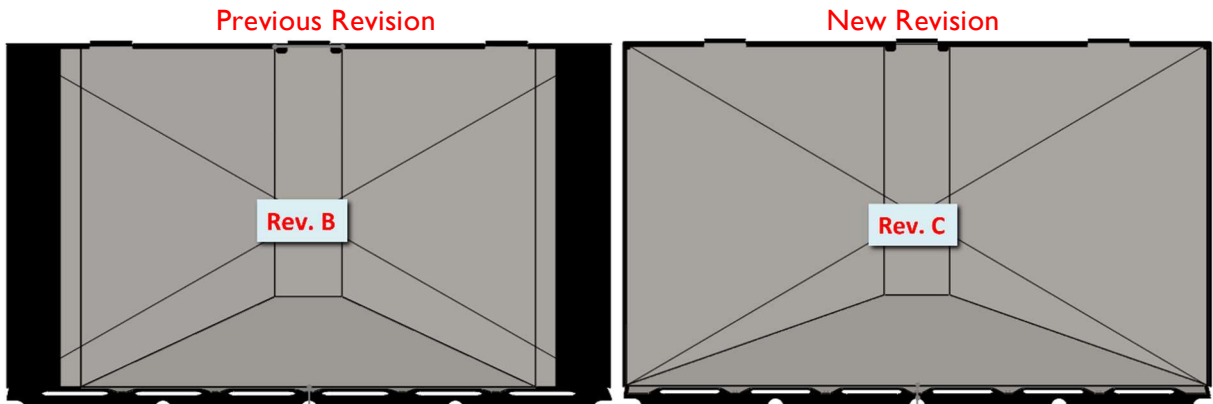
The flame spreaders should cover the full extension of the bottom cover as seen below.

KRG30x



Part# 028695-BK

KRG36x



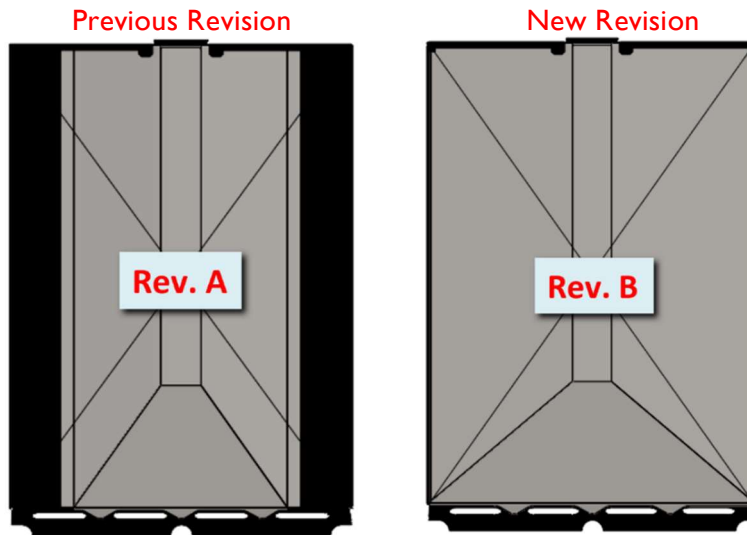
Part# 027129-BK



SERVICE INSTRUCTIONS *(continued)*

KRG48x

See small 18" oven below / For large 30" oven see KRG30x above.



Part# 030265-BK

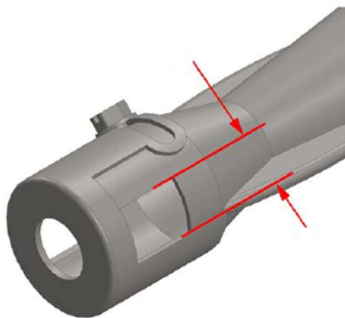
STEP 10

Check and confirm the oven burners orifice sizes:

Burner Location		Part# 002865-xxx		Part# 000293-xxx	
		NG	LP	NG	LP
30" & 36"	Main Oven - Broiler	047	055		
30" & 36"	Main Oven - Bake			037	052
18"	Small Oven - Bake			048	056

STEP 11

Check and confirm the oven burners air shutter openings:



Burner Location		Air Shutter Opening	
		NG	LP
30" & 36"	Main Oven - Bake	100%	100%
18"	Small Oven - Bake	5/16"	1/2"

- Increase the air shutter opening when flame is yellow and decrease it if the flame is too big.
- Make sure that the **orifice** points **straight** to the **center** of the burner. Adjust the bracket if needed.

RETAIN THIS MANUAL FOR FUTURE REFERENCE



Hestan Commercial Corporation
3375 E. La Palma Ave.
Anaheim, CA 92806
(888) 905-7463