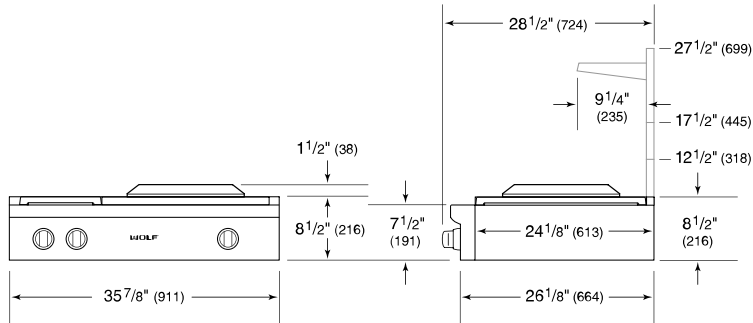
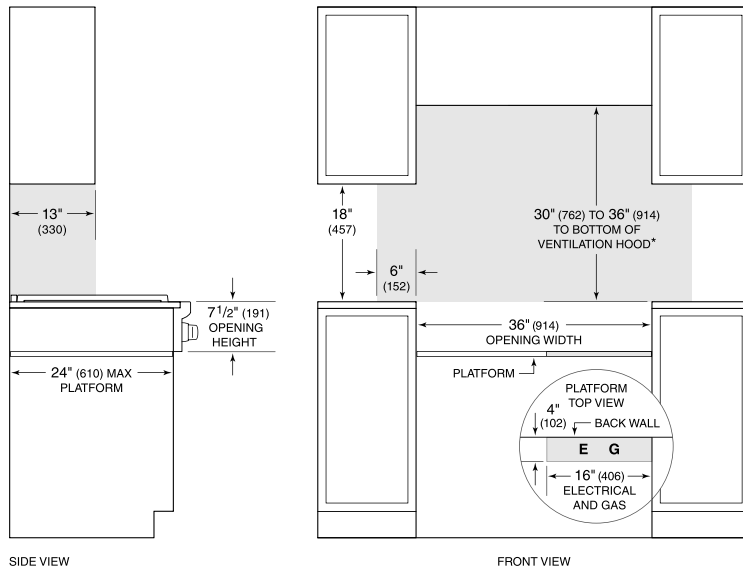


Dimensions



Standard Installation



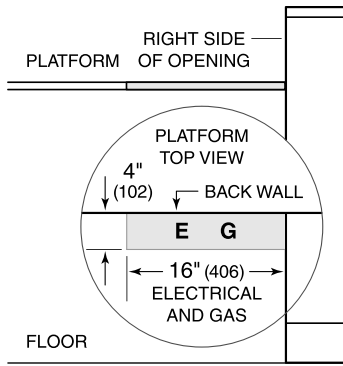
*Without ventilation hood, 36" (914) minimum clearance countertop to combustible materials, 44" (118) for charbroiler.
 NOTE: Shaded area above countertop indicates minimum clearance to combustible surfaces, combustible materials cannot be located within this area.
 Electrical and gas supply located through bottom of platform.
 For island installation, 12" (305) minimum clearance back of range to combustible rear wall above countertop.

Electrical Requirements

Electrical Requirements

Electrical Supply 120 VAC, 60 Hz
 Electrical Service 15 amp dedicated circuit

Electrical Location Illustration



Gas Requirements

Gas Requirements

Gas Supply 3/4" ID line

Gas Inlet 1/2" NPT female

Gas Supply Illustration

