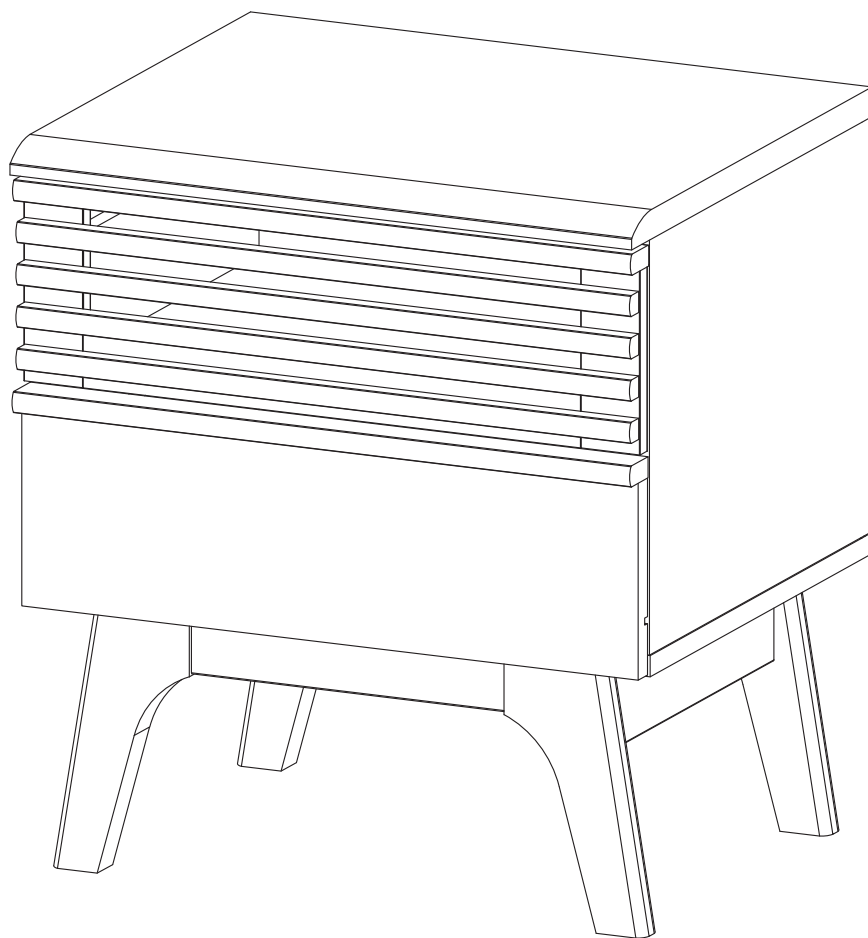


ASSEMBLY INSTRUCTIONS

MOD-7071

V4.01.08.25



Questions? Contact us!

609.256.9000 • cs@modway.com
www.modway.com

*modway



Read through all of the instructions before starting



Care instructions are listed in the last step of this manual

Only use hand tools to assemble this item. Do not use power tools. Do not tighten bolts or screws completely until all hardware is lined up and inserted into the holes.



Approx. 45 minutes assembly time



Make sure you have all parts and components before discarding any packing materials

Do not over-tighten screws and bolts to avoid stripping the hardware or cracking the item.

Assemble your item on a flat, carpeted area, with plenty of space to work. This will prevent damage and scratches to your floors or the item while you're assembling the product.

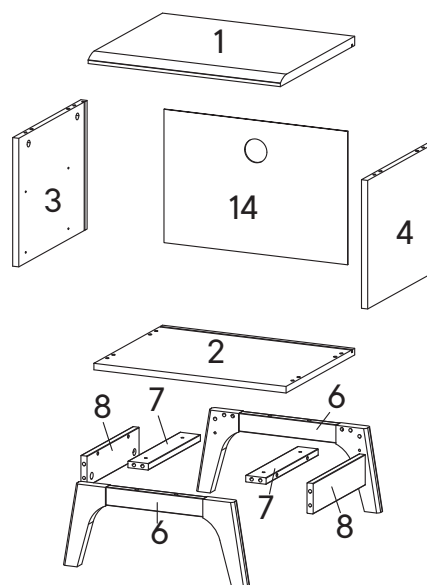
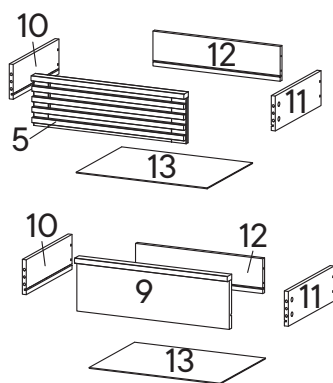


1 people recommended for assembly

Keep all components and packaging out of reach of children or animals to avoid risk of choking or suffocation.

Furniture components:

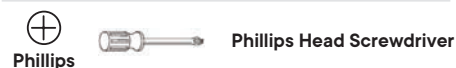
1	Top Board	x1	11	Side Drawer Right	x2
2	Bottom Board	x1	12	Back Drawer	x2
3	Side Board Left	x1	13	Bottom Drawer	x2
4	Side Board Right	x1	14	Back Board	x1
5	Front Drawer 1	x1			
6	Assembly Leg	x2			
7	Bottom Skirt 1	x2			
8	Bottom Skirt 2	x2			
9	Front Drawer 2	x1			
10	Side Drawer Left	x2			



Provided hardware:

A		Cam Bolt $\varnothing 6 \times 35$ mm	x8	J		Screw M 8 x 39 mm	x8
B		Cam Lock $\varnothing 15$ mm	x8	K		Screw M 6.4 x 25 mm	x4
C		Cam Lock $\varnothing 12$ mm	x8	L		Floor Protector	x4
D		Wood Dowel $\varnothing 8 \times 30$ mm	x28	M		Wedge	x12
E		Wood Dowel $\varnothing 6 \times 30$ mm	x4	N		Screw M 3.5 x 15.5 mm	x12
F		Screw M 7 x 50 mm	x4	O		Cam Bolt $\varnothing 6 \times 32$ mm	x8
G		Allen Key	x1	RM30A		Drawer Runner	x2
H		Screw M 6 x 10.5 mm	x8				
I		Screw M 3.5 x 13 mm	x12				

What you need:



Wait!

Missing parts or hardware? Need assistance?
Contact us before returning your item. We're here to help!
609.256.9000 • cs@modway.com

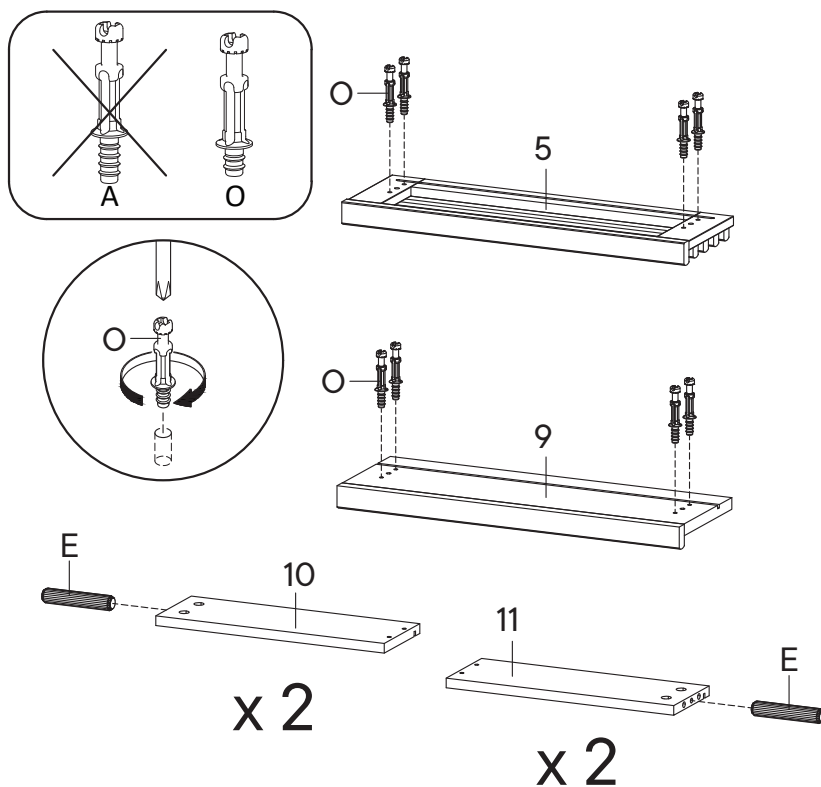
Step 1

HARDWARE

- E** Wood Dowel Ø6 x 30 mm x4
- O** Cam Bolt Ø6 x 32 mm x8

COMPONENTS

- 5** Front Drawer 1 x1
- 9** Front Drawer 2 x1
- 10** Side Drawer Left x2
- 11** Side Drawer Right x2



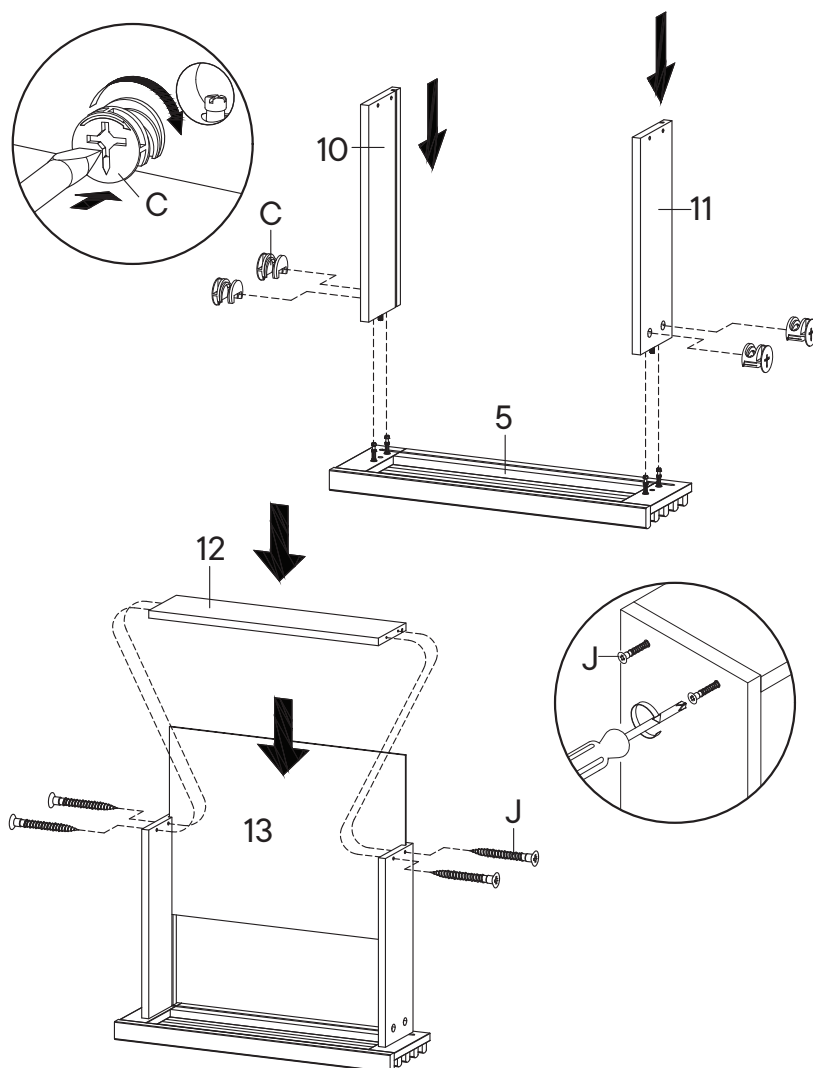
Step 2

HARDWARE

- C** Cam Lock Ø12 mm x4
- J** Screw M 8 x 39 mm x4

COMPONENTS

- 5** Front Drawer 1 x1
- 10** Side Drawer Left x1
- 11** Side Drawer Right x1
- 12** Back Drawer x1
- 13** Bottom Drawer x1



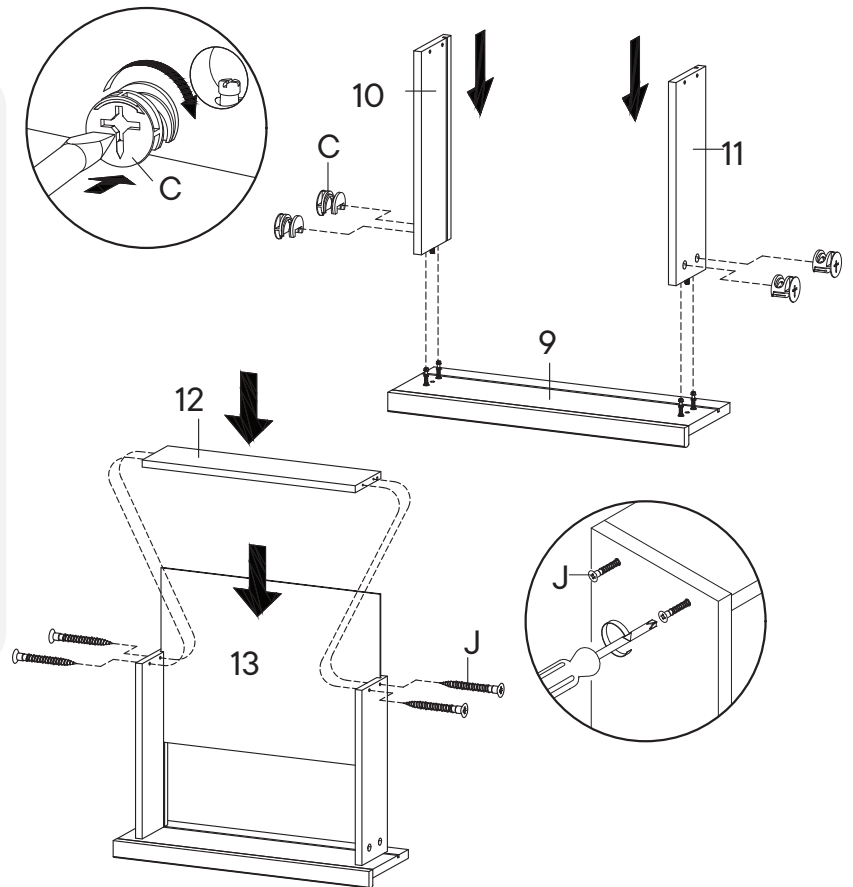
Step 3

HARDWARE

- C** Cam Lock Ø12 mm x4
- J** Screw M 8 x 39 mm x4

COMPONENTS

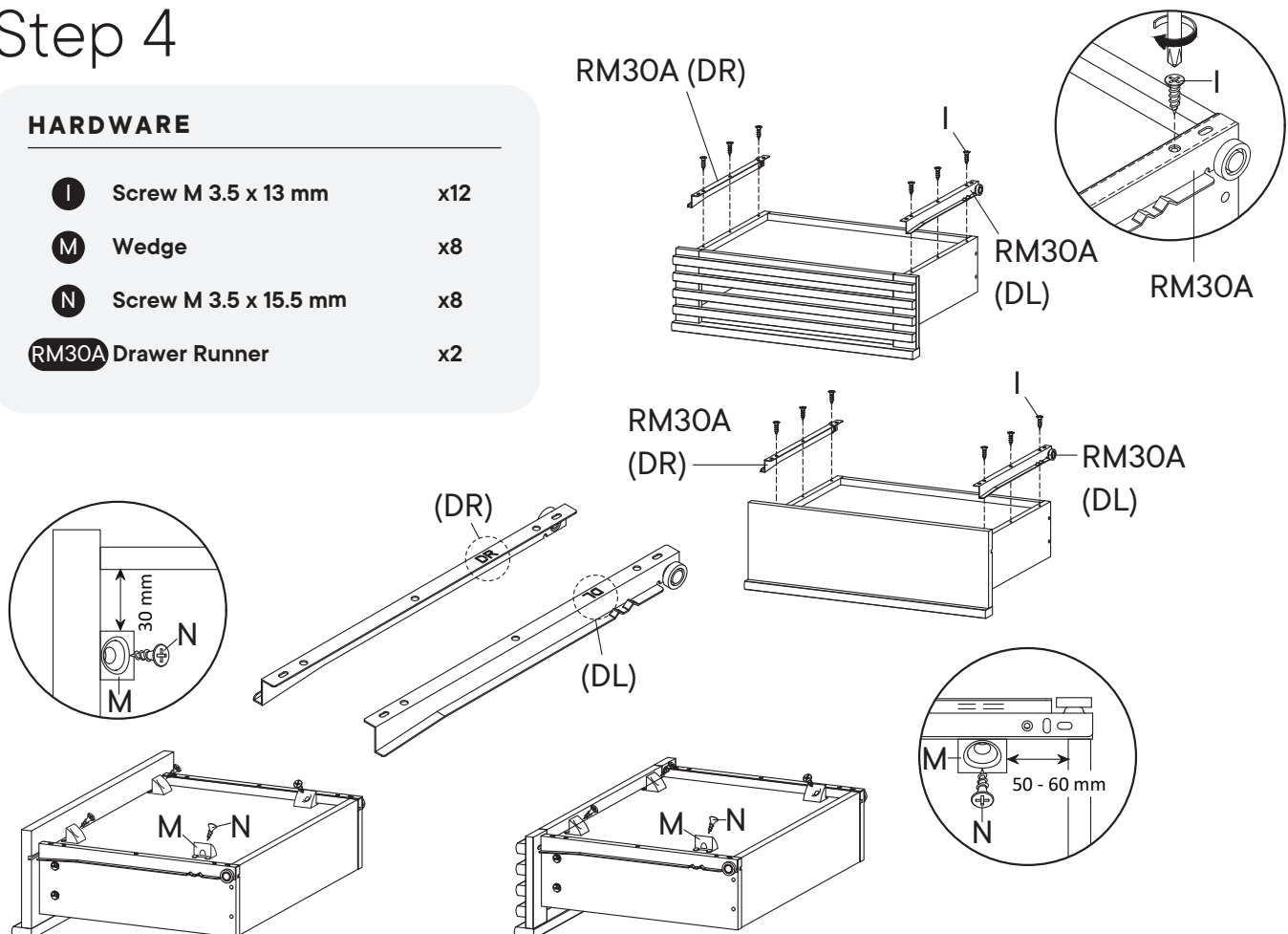
- 9** Front Drawer 2 x1
- 10** Side Drawer Left x1
- 11** Side Drawer Right x1
- 12** Back Drawer x1
- 13** Bottom Drawer x1



Step 4

HARDWARE

- I** Screw M 3.5 x 13 mm x12
- M** Wedge x8
- N** Screw M 3.5 x 15.5 mm x8
- RM30A** Drawer Runner x2



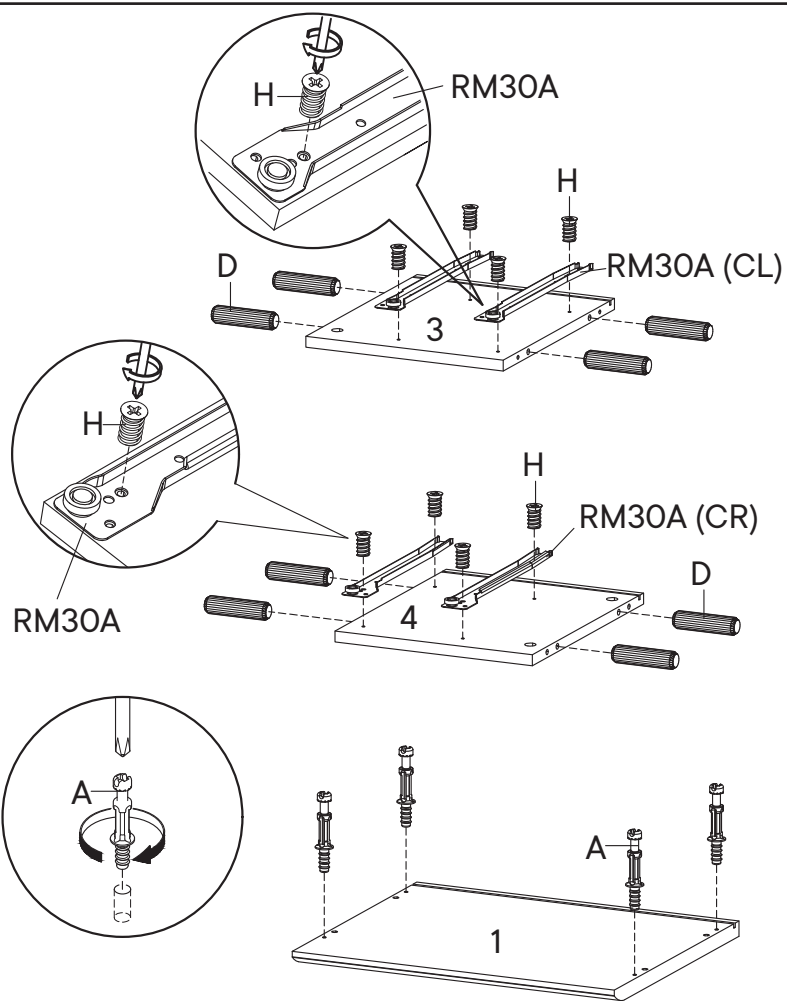
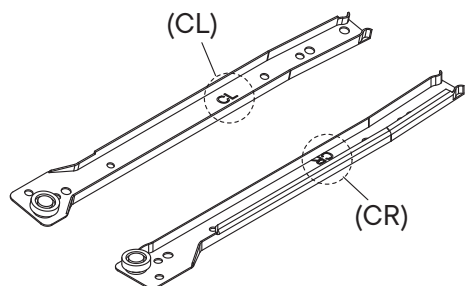
Step 5

HARDWARE

- A** Cam Bolt Ø6 x 35 mm x4
- D** Wood Dowel Ø8 x 30 mm x8
- H** Screw M 6 x 10.5 mm x8
- RM30A** Drawer Runner x2

COMPONENTS

- 1** Top Board x1
- 3** Side Board Left x1
- 4** Side Board Right x1



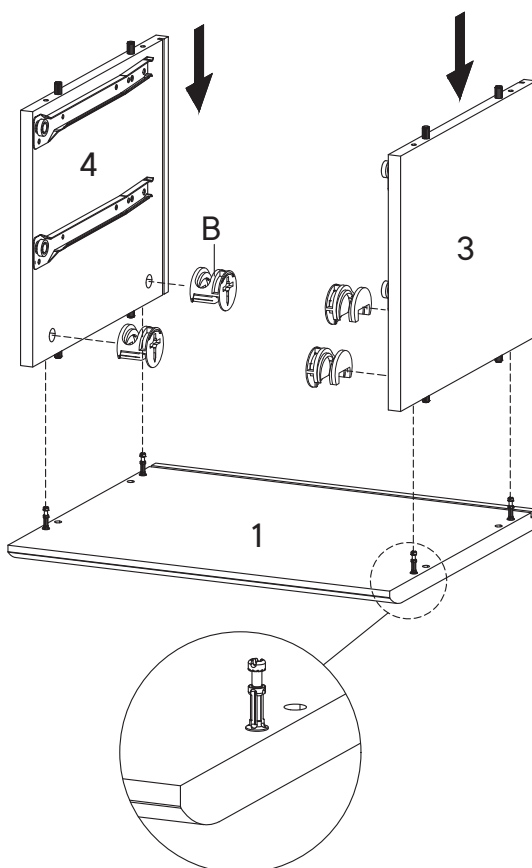
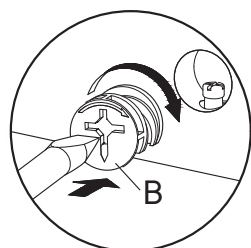
Step 6

HARDWARE

- B** Cam Lock Ø15 mm x4

COMPONENTS

- 1** Top Board x1
- 3** Side Board Left x1
- 4** Side Board Right x1



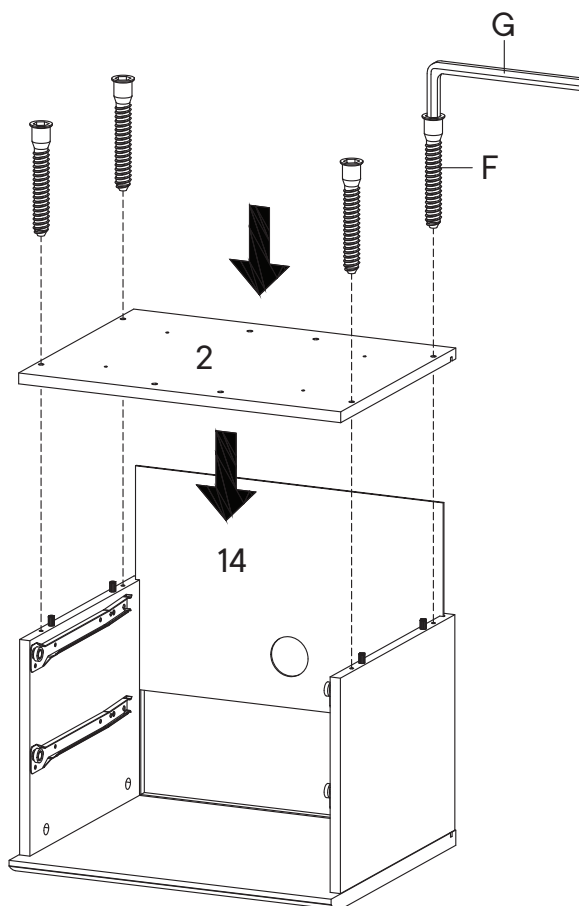
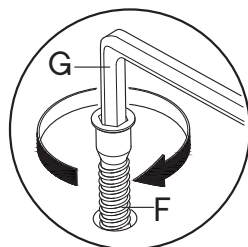
Step 7

HARDWARE

- F** Screw M 7 x 50 mm x4
- G** Allen Key x1

COMPONENTS

- 2** Bottom Board x1
- 14** Back Board x1



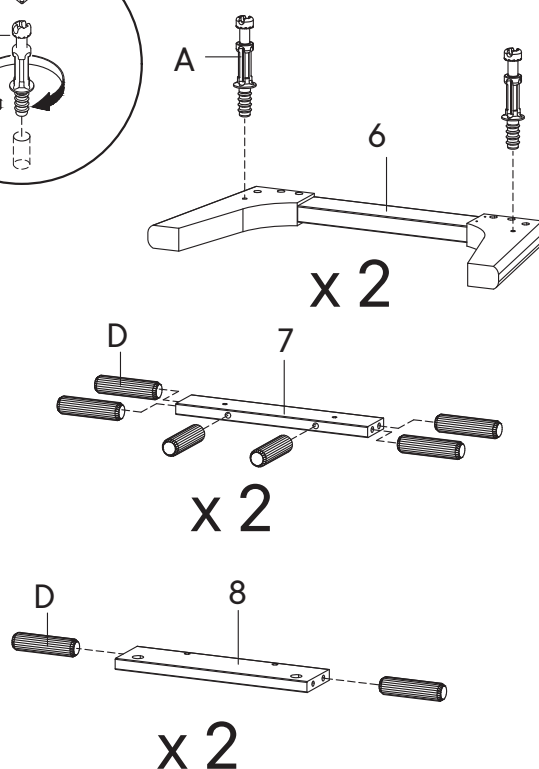
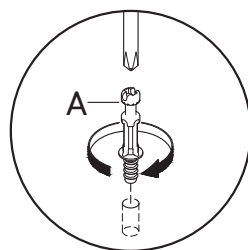
Step 8

HARDWARE

- A** Cam Bolt $\varnothing 6$ x 35 mm x4
- D** Wood Dowel $\varnothing 8$ x 30 mm x16

COMPONENTS

- 6** Assembly Leg x2
- 7** Bottom Skirt 1 x2
- 8** Bottom Skirt 2 x2



Step 9

HARDWARE

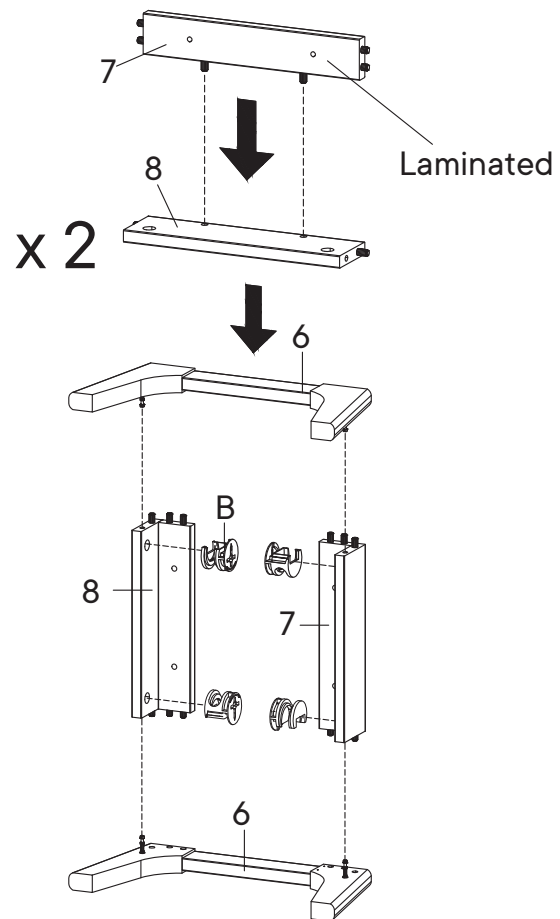
B Cam Lock Ø15 mm x4

COMPONENTS

6 Assembly Leg x2

7 Bottom Skirt 1 x2

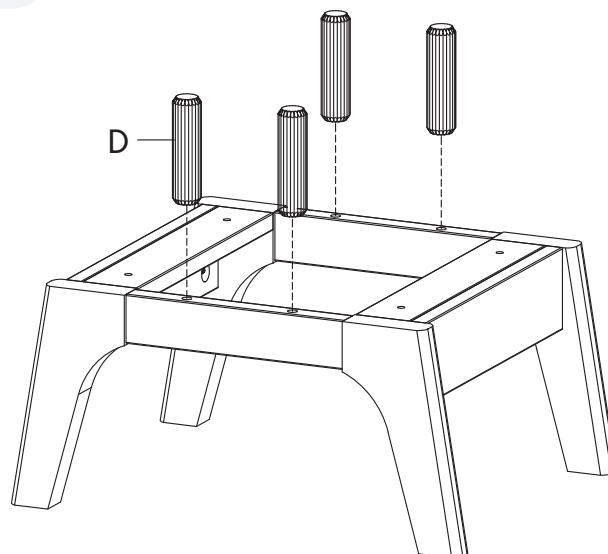
8 Bottom Skirt 2 x2



Step 10

HARDWARE

D Wood Dowel Ø8 x 30 mm x4



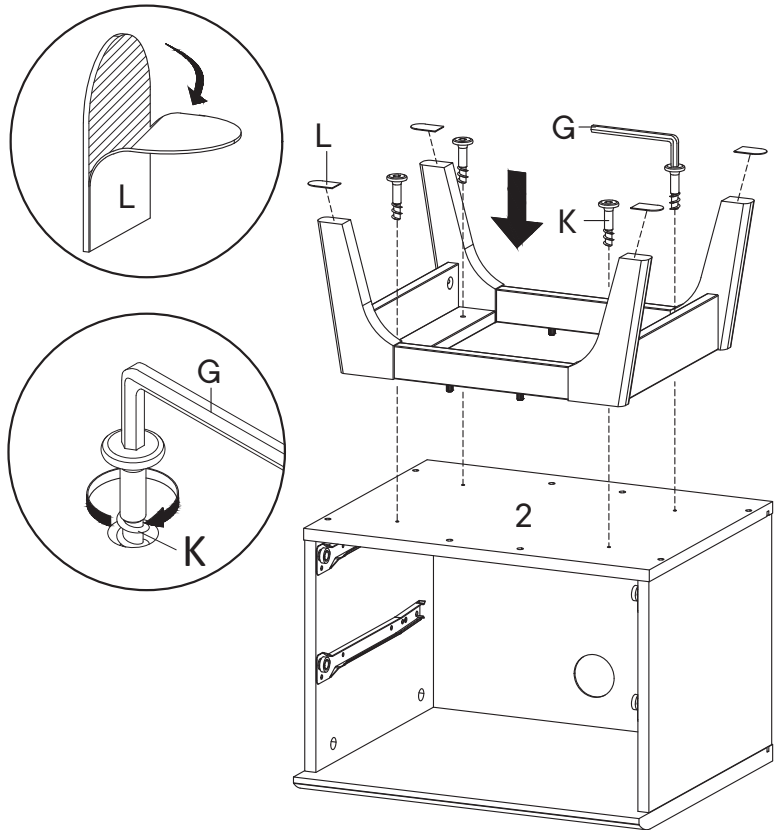
Step 11

HARDWARE

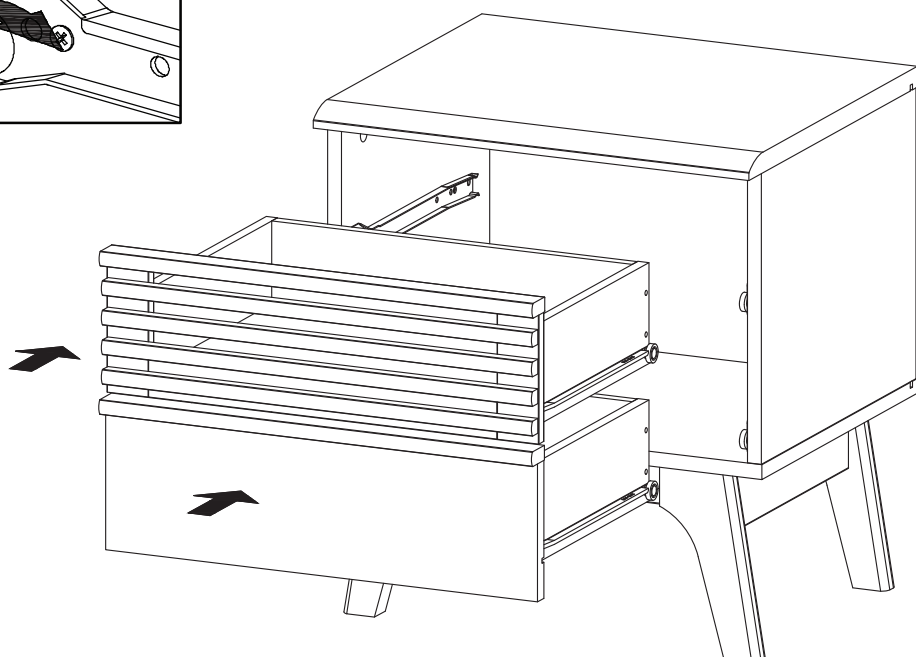
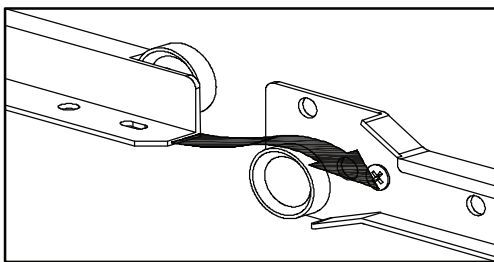
- G** Allen Key x1
- K** Screw M 6.4 x 25 mm x4
- L** Floor Protector x4

COMPONENTS

- 6** Assembly Leg x2
- 7** Bottom Skirt 1 x2
- 8** Bottom Skirt 2 x2



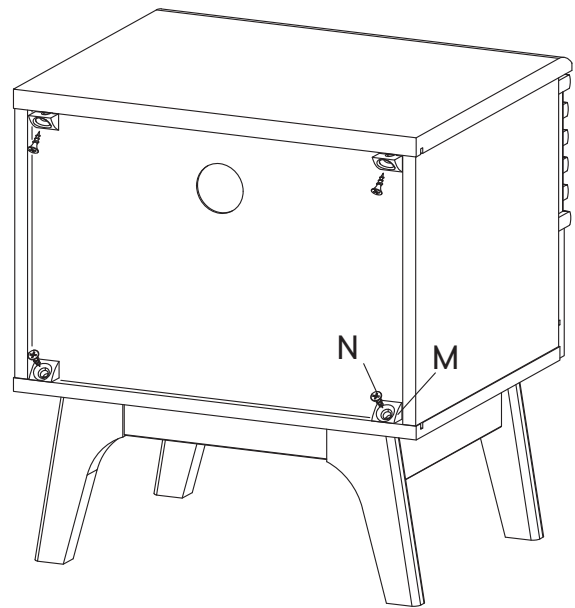
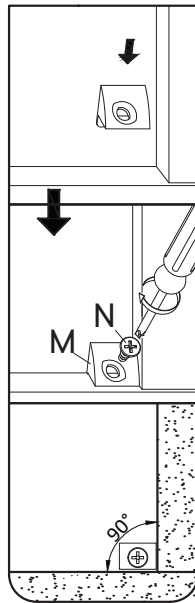
Step 12



Step 13

HARDWARE

- M** Wedge x4
- N** Screw M 3.5 x 15.5 mm x4



Great job!

Nightstand assembly is complete.

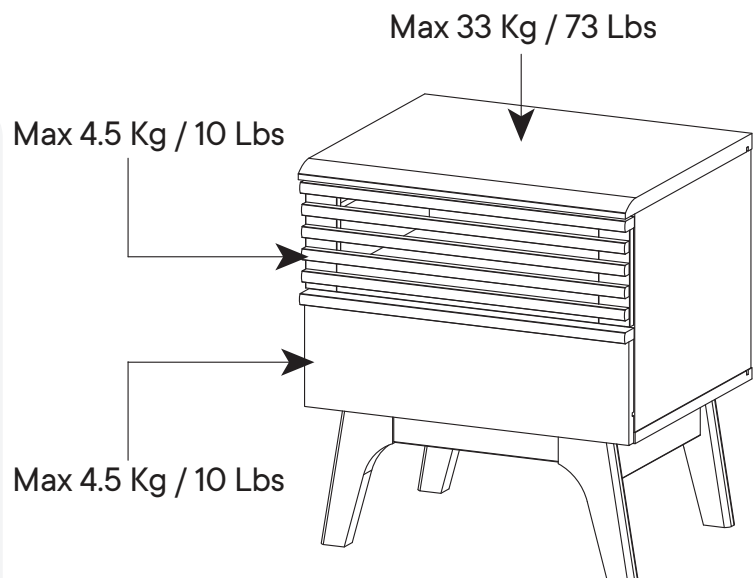
♥ CARING FOR YOUR ITEM

Indoor use only.

Not contract grade.

Clean using a non-abrasive cloth and a mild cleaner.

Never use harsh chemicals, as they could damage the finish or integrity of the item.



CONNECT WITH US!   

Tag us @modway_furniture and #modway for a chance to be featured.