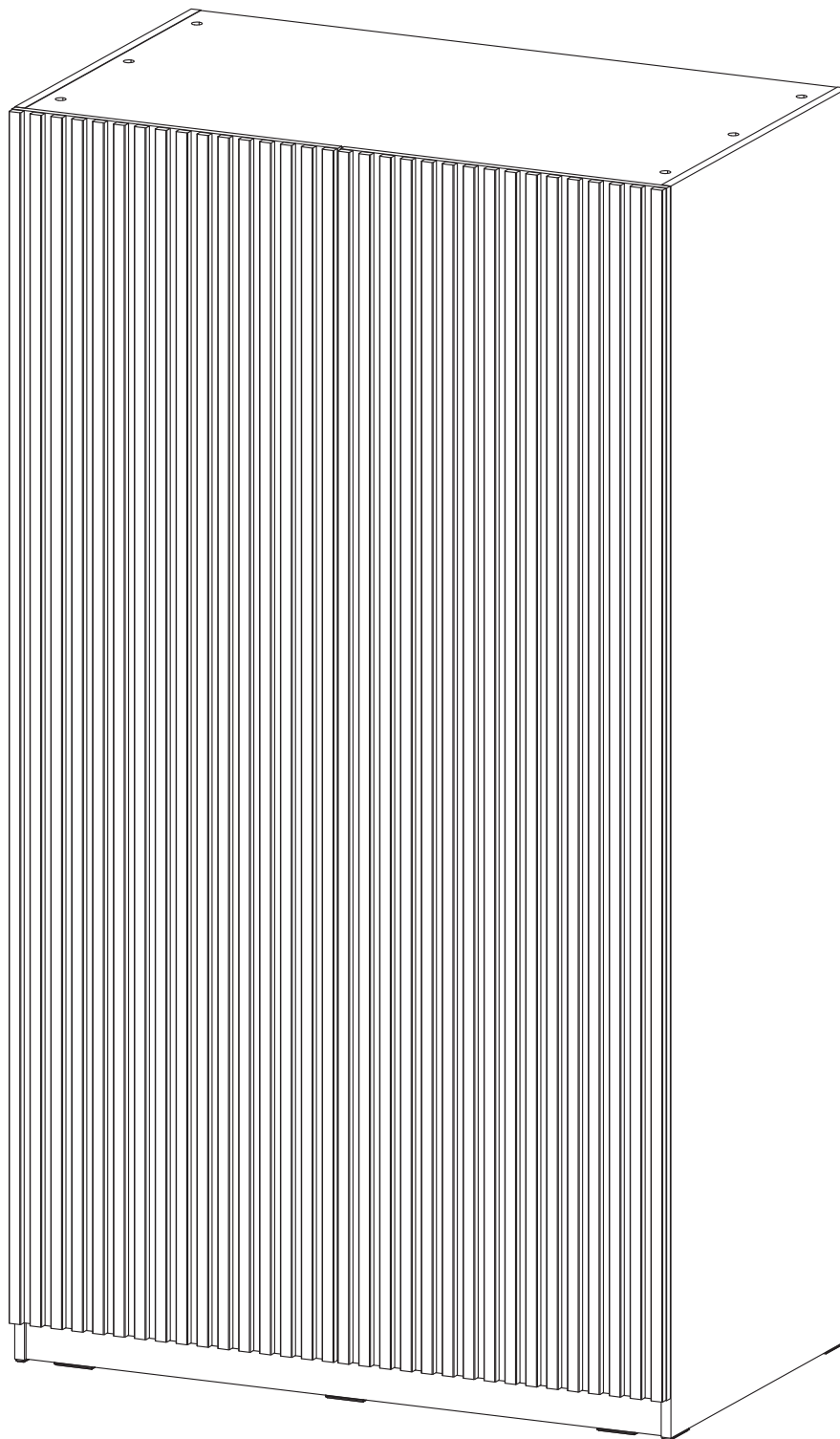


ASSEMBLY INSTRUCTIONS

MOD-7182

V0.05.20.24



Questions? Contact us!

609.256.9000 • cs@modway.com
www.modway.com

***modway**



Read through all of the instructions before starting



Care instructions are listed in the last step of this manual



Approx. 60 minutes assembly time



Make sure you have all parts and components before discarding any packing materials



2 people recommended for assembly

Only use hand tools to assemble this item. Do not use power tools. Do not tighten bolts or screws completely until all hardware is lined up and inserted into the holes.

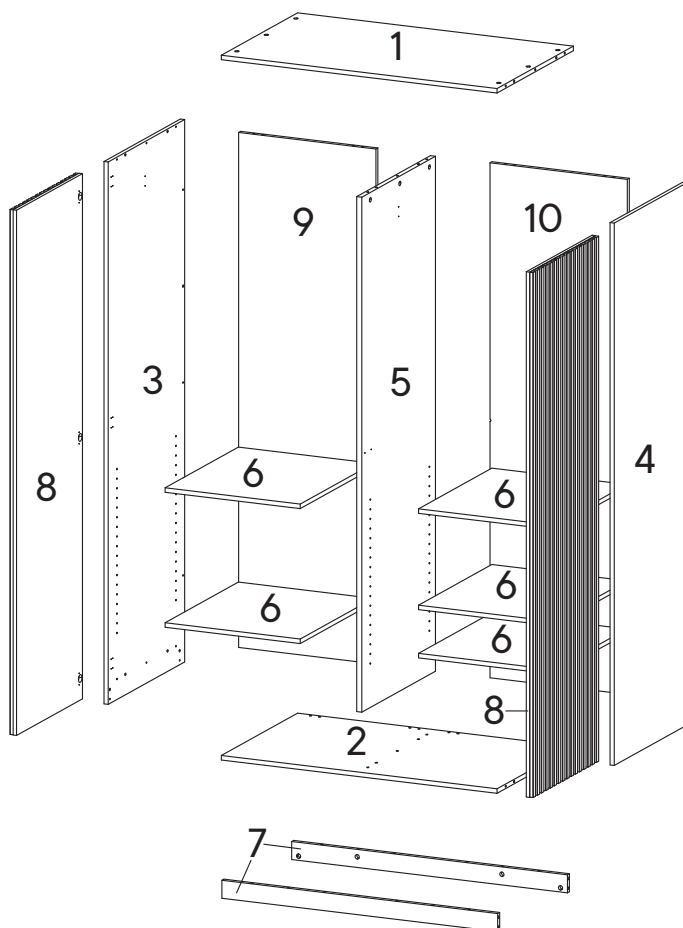
Do not over-tighten screws and bolts to avoid stripping the hardware or cracking the item.

Assemble your item on a flat, carpeted area, with plenty of space to work. This will prevent damage and scratches to your floors or the item while you're assembling the product.

Keep all components and packaging out of reach of children or animals to avoid risk of choking or suffocation.

Furniture components:



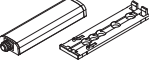


1	Top Board	x1
2	Bottom Board	x1
3	Side Board Left	x1
4	Side Board Right	x1
5	Center Board	x1
6	Adjustable Shelf	x5
7	Bottom Skirt	x2
8	Door	x2
9	Back Board 1	x1
10	Back Board 2	x1



Wait!

Missing parts or hardware? Need assistance?
Contact us before returning your item. We're here to help!
609.256.9000 • cs@modway.com

Provided hardware:

A		Cam Bolt Ø6 x 35 mm	x33	J		Hanger Pipe	x2
B		Cam Lock Ø15 mm	x33	K		Push Tool	x2
C		Wood Dowel Ø8 x 30 mm	x36	L		Floor Glide	x10
D		Screw M 7 x 50 mm	x7	M		Ring	x1
E		Screw M 4.5 x 12.5 mm	x36	N		Screw 5.5 x 45 mm	x1
F		Screw M 3.5 x 13 mm	x12	O		Screw Cap Ø15 mm	x3
G		Shelf Support	x20	HS26A		Hinge	x6
H		Allen Key	x2	What you need:			
I		Hanger	x4		Phillips	Phillips Head Screwdriver	

Components Carton Placement

Carton 1 of 3

Label	Description	Qty
1	Top Board	x1
2	Bottom Board	x1
6	Adjustable Shelf	x5
7	Bottom Skirt	x2
	Hardware Pack	x1

Carton 2 of 3

Label	Description	Qty
3	Side Board Left	x1
4	Side Board Right	x1
9	Back Board 1	x1
10	Back Board 2	x1

Carton 3 of 3

Label	Description	Qty
5	Center Board	x1
8	Door	x2

Wait!

Missing parts or hardware? Need assistance?
Contact us before returning your item. We're here to help!
609.256.9000 • cs@modway.com

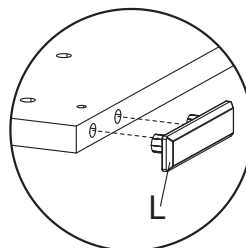
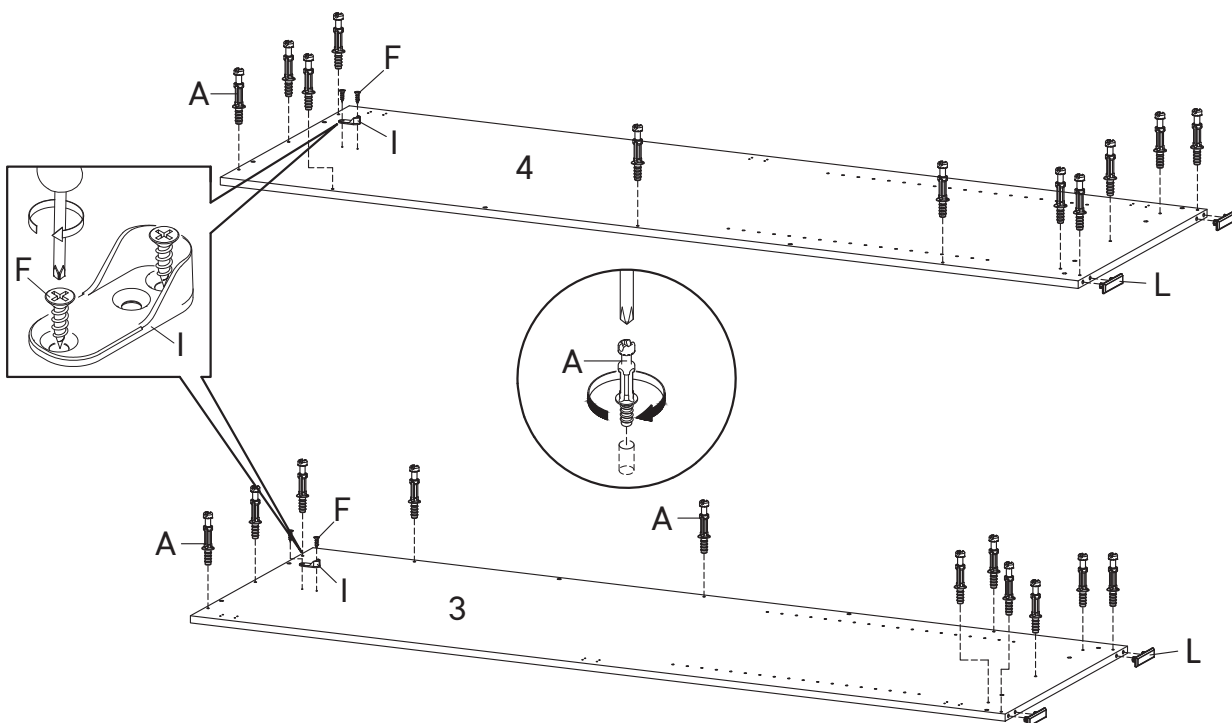
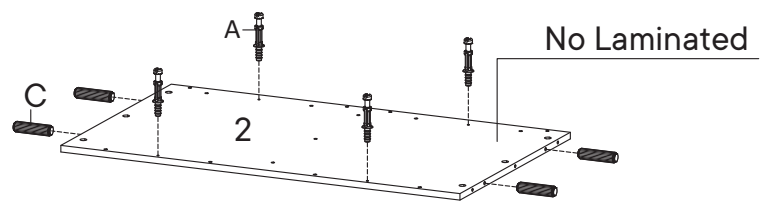
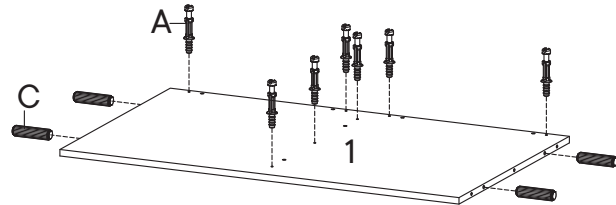
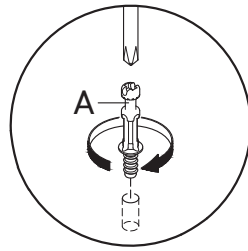
Step 1

HARDWARE

A	Cam Bolt Ø6 x 35 mm	x33
C	Wood Dowel Ø8 x 30 mm	x8
F	Screw M 3.5 x 13 mm	x4
I	Hanger	x2
L	Floor Glide	x4

COMPONENTS

1	Top Board	x1
2	Bottom Board	x1
3	Side Board Left	x1
4	Side Board Right	x1



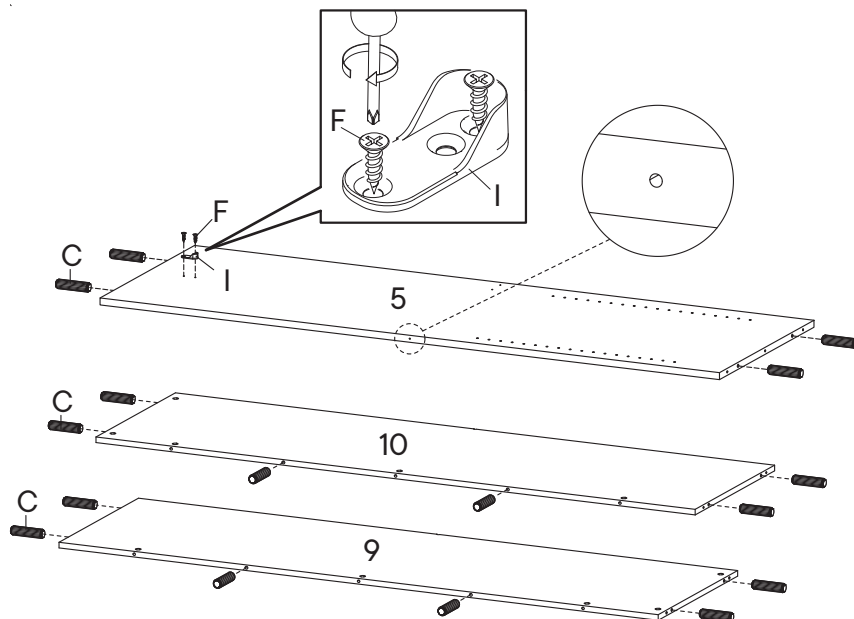
Step 2

HARDWARE

- C** Wood Dowel Ø8 x 30 mm x16
- F** Screw M 3.5 x 13 mm x2
- I** Hanger x1

COMPONENTS

- 5** Center Board x1
- 9** Back Board 1 x1
- 10** Back Board 2 x1



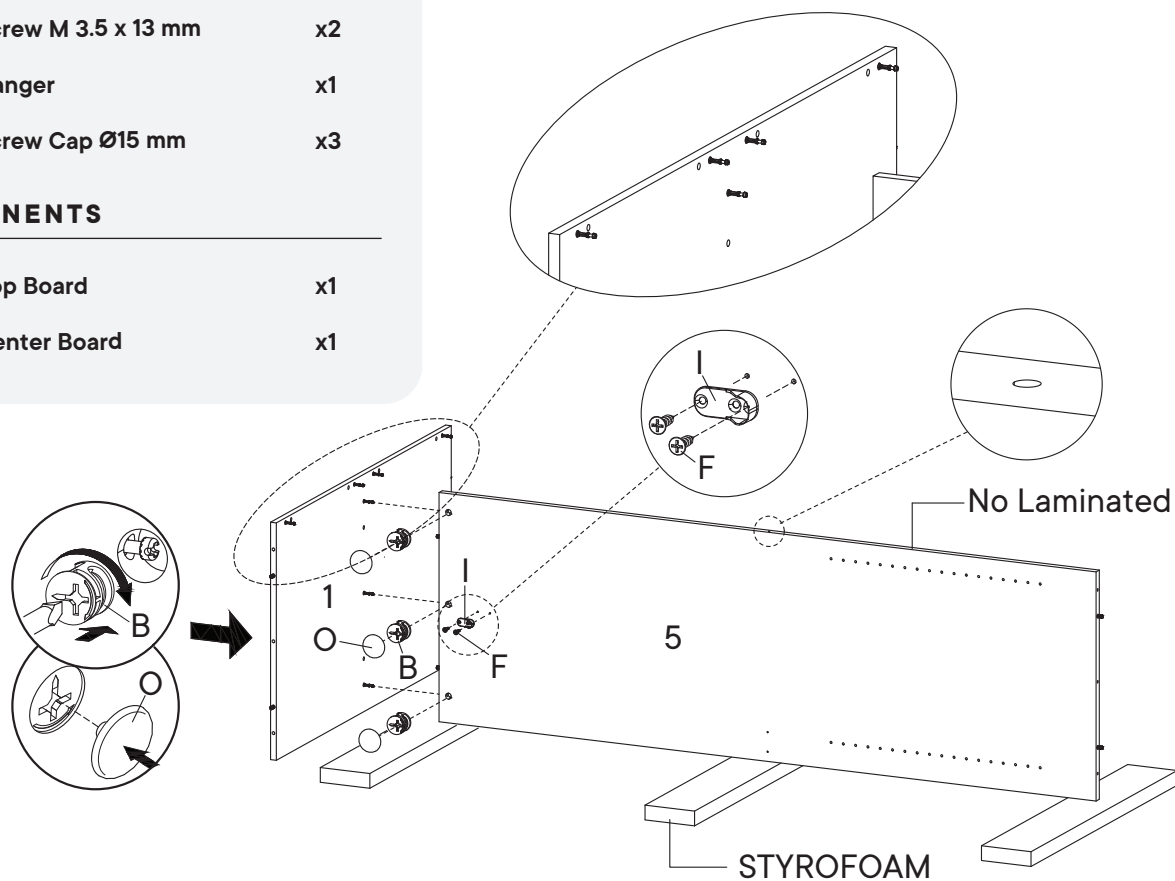
Step 3

HARDWARE

- B** Cam Lock Ø15 mm x3
- F** Screw M 3.5 x 13 mm x2
- I** Hanger x1
- O** Screw Cap Ø15 mm x3

COMPONENTS

- 1** Top Board x1
- 5** Center Board x1



Step 4

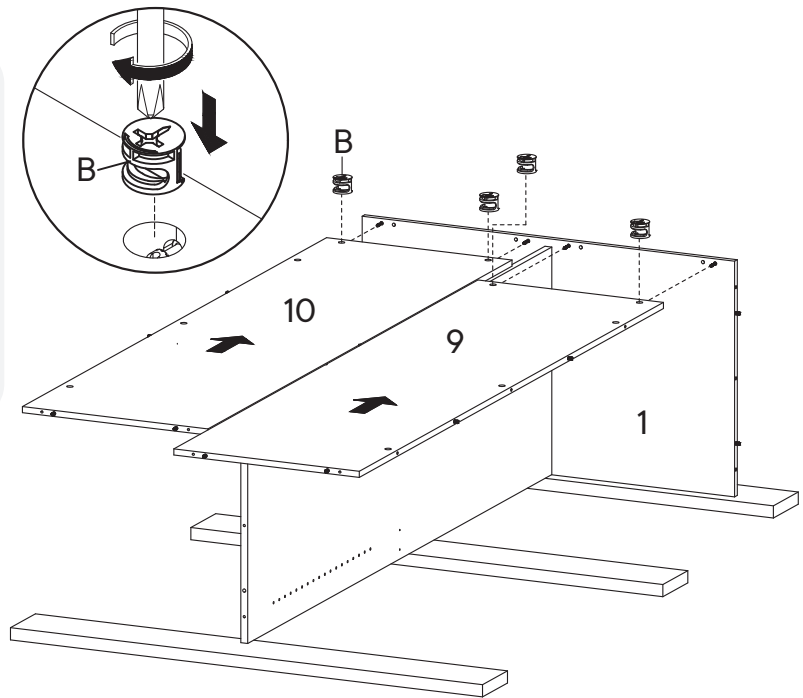
HARDWARE

B Cam Lock Ø15 mm x4

COMPONENTS

9 Back Board 1 x1

10 Back Board 2 x1



Step 5

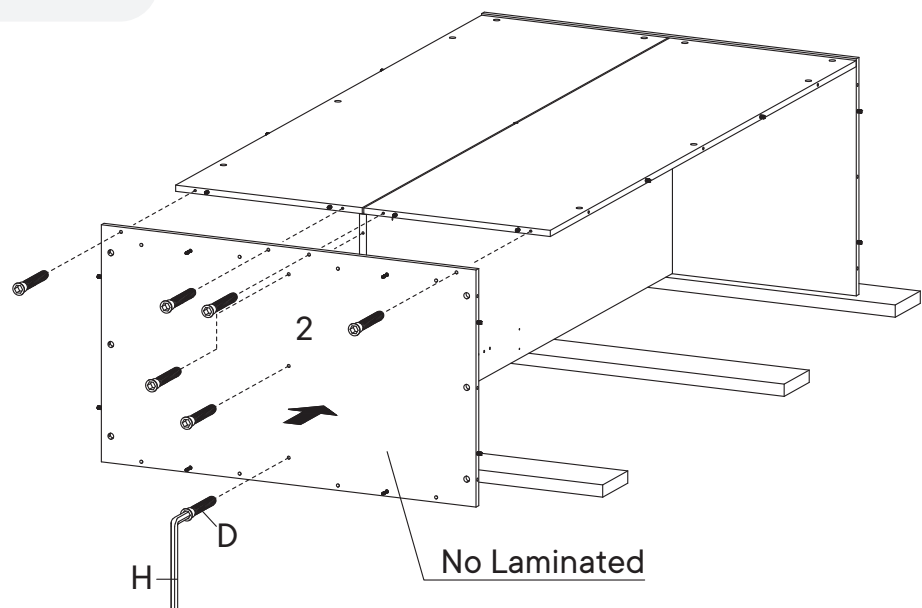
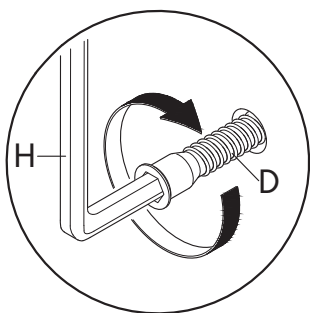
HARDWARE

D Screw M 7 x 50 mm x7

H Allen Key x1

COMPONENTS

2 Bottom Board x1



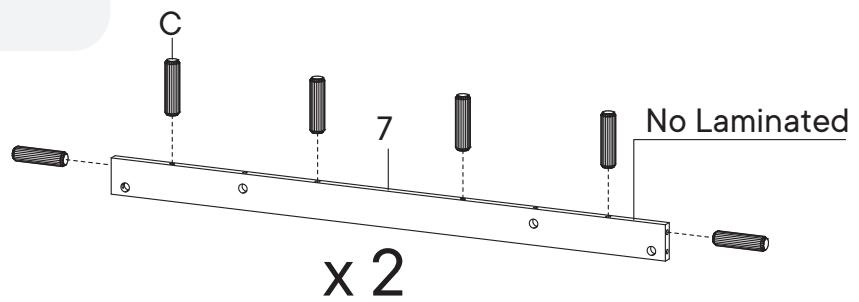
Step 6

HARDWARE

C Wood Dowel $\varnothing 8 \times 30$ mm x12

COMPONENTS

7 Bottom Skirt x2



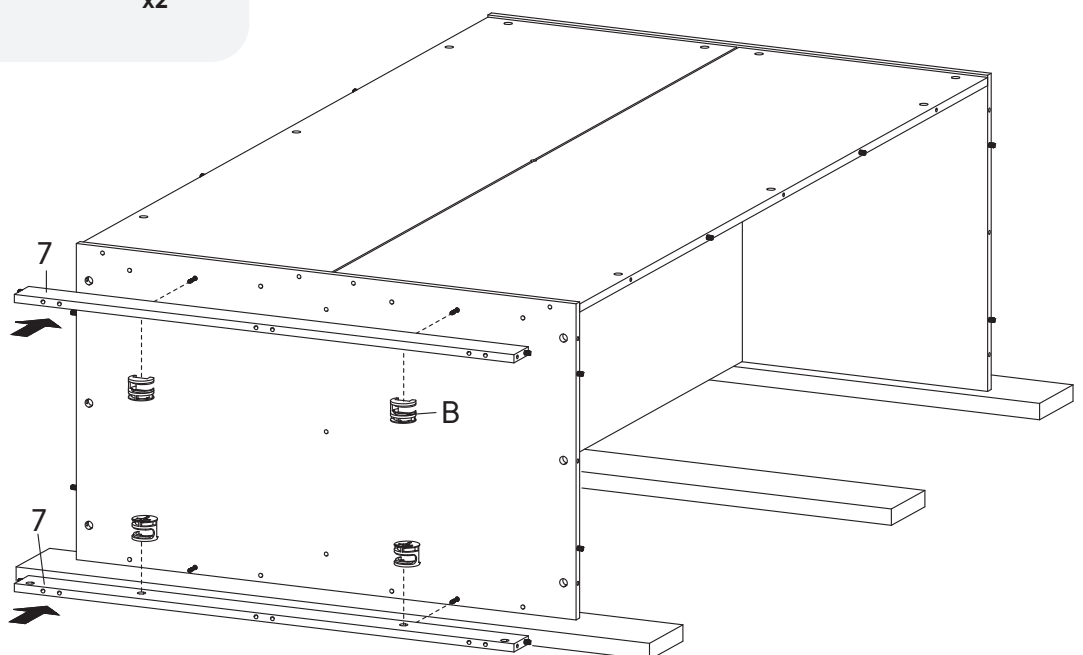
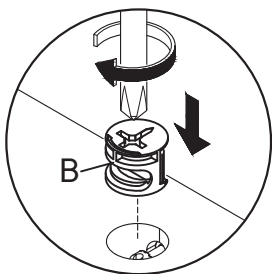
Step 7

HARDWARE

B Cam Lock $\varnothing 15$ mm x4

COMPONENTS

7 Bottom Skirt x2



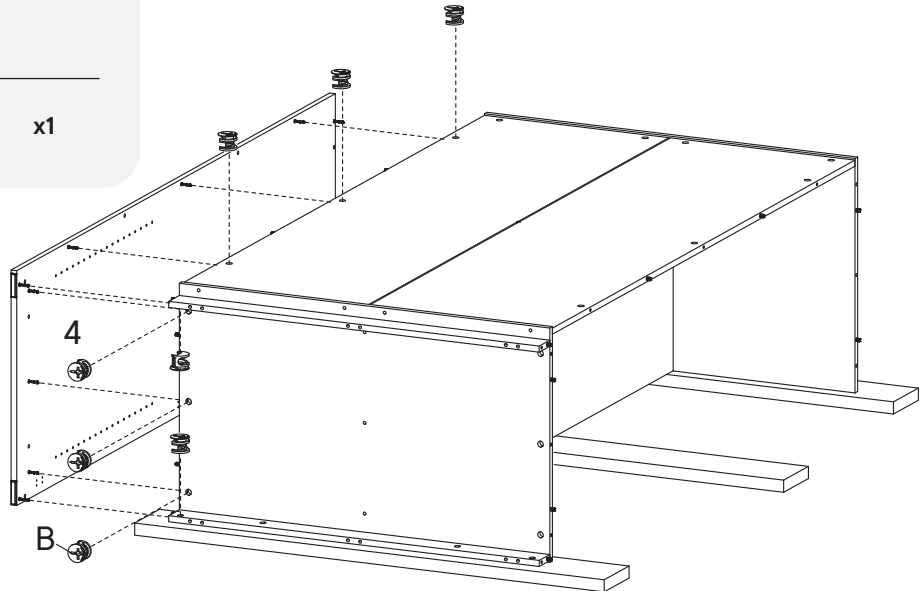
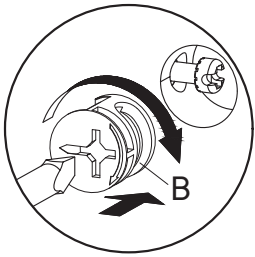
Step 8

HARDWARE

B Cam Lock Ø15 mm x8

COMPONENTS

4 Side Board Right x1



Step 9

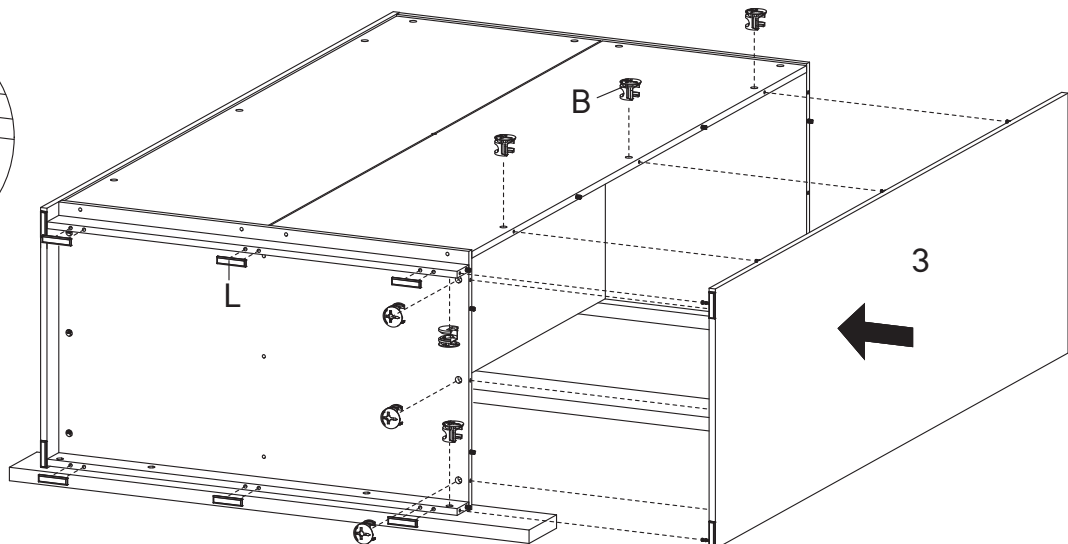
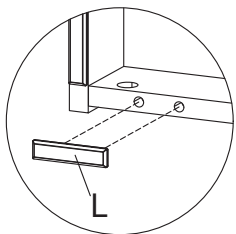
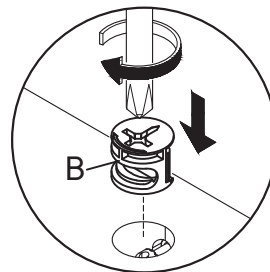
HARDWARE

B Cam Lock Ø15 mm x8

L Floor Glide x6

COMPONENTS

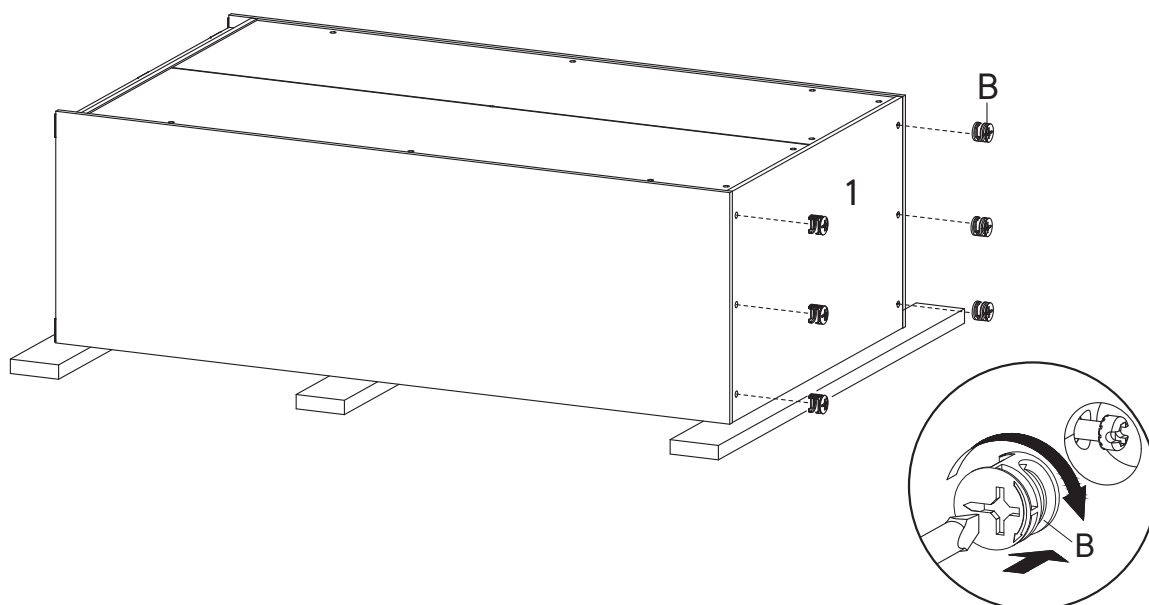
3 Side Board Left x1



Step 10

HARDWARE

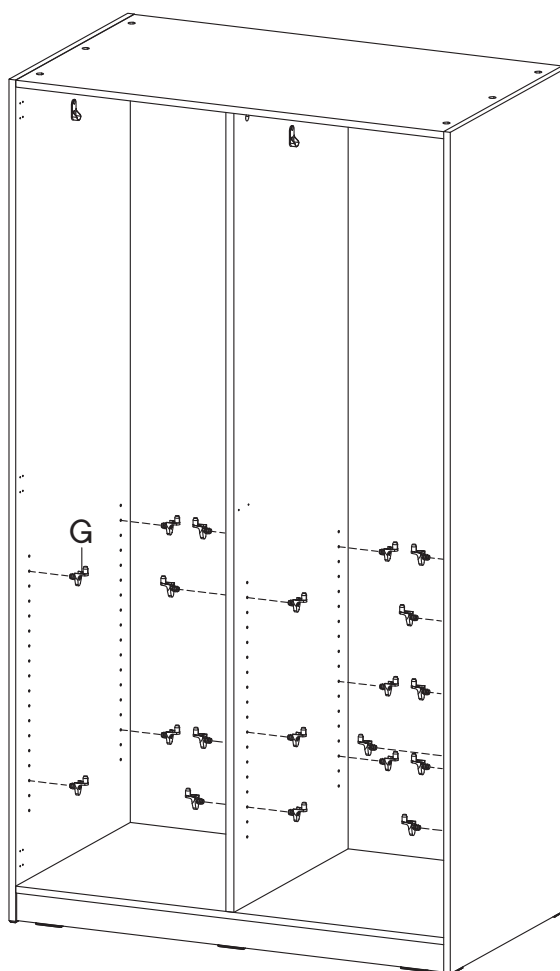
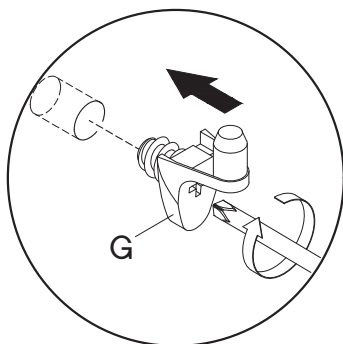
B Cam Lock \varnothing 15 mm x6



Step 11

HARDWARE

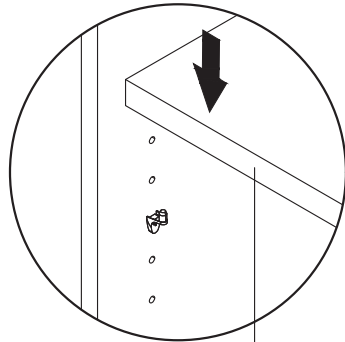
G Shelf Support x20



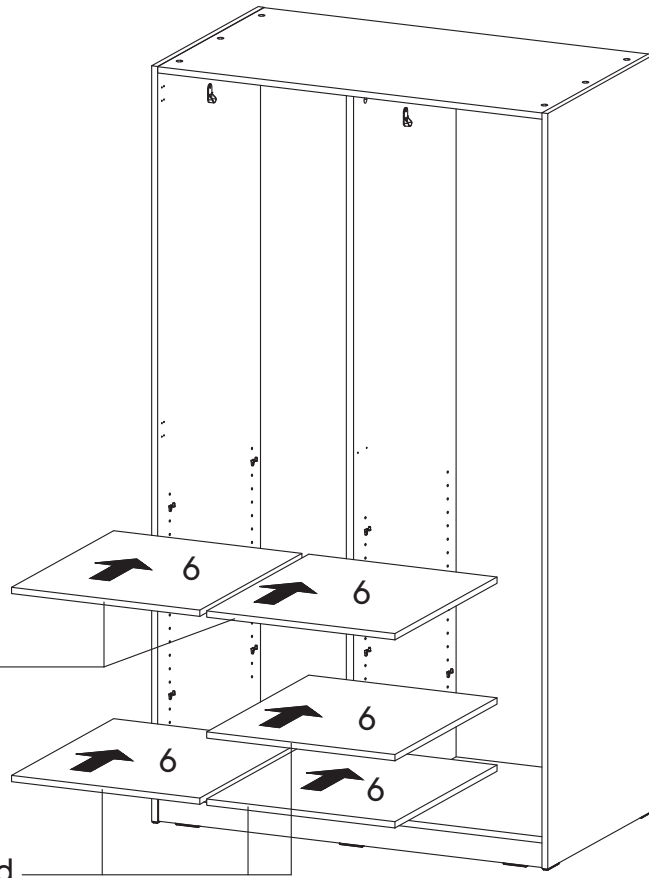
Step 12

COMPONENTS

- 6 Adjustable Shelf x5



Laminated

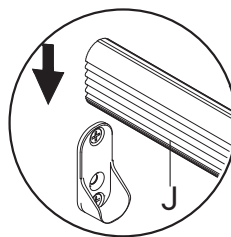


Laminated

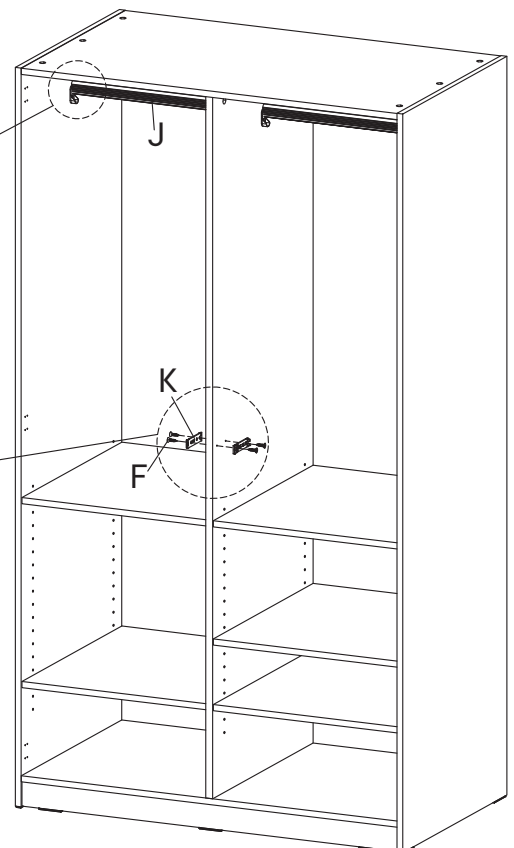
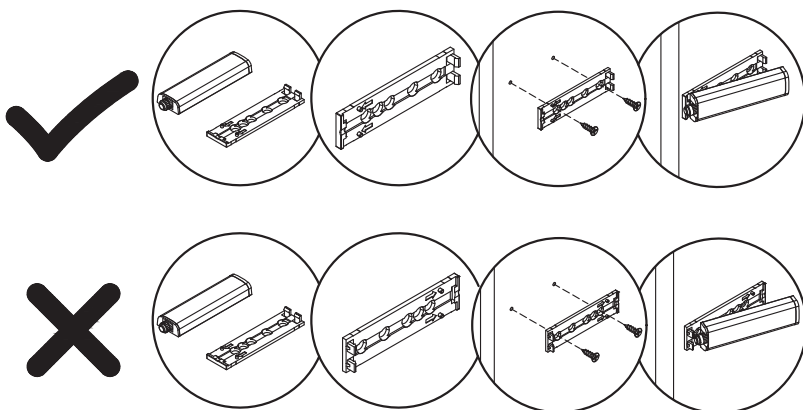
Step 13

HARDWARE

- F Screw M 3.5 x 13 mm x4
- K Push Tool x2
- J Hanger Pipe x2



CORRECT SITTING POSITION



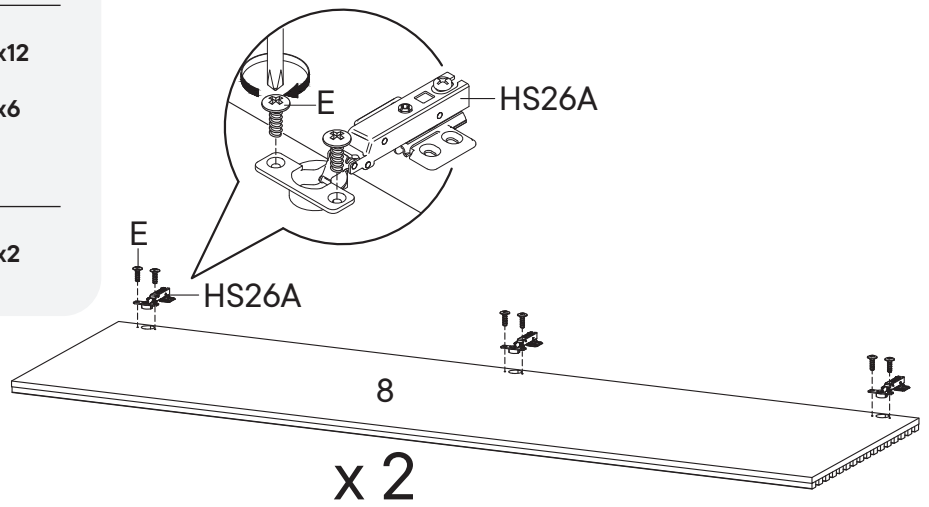
Step 14

HARDWARE

- E** Screw M 4.5 x 12.5 mm x12
- HS26A** Hinge x6

COMPONENTS

- 8** Door x2



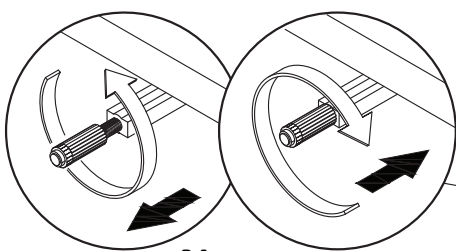
Step 15

HARDWARE

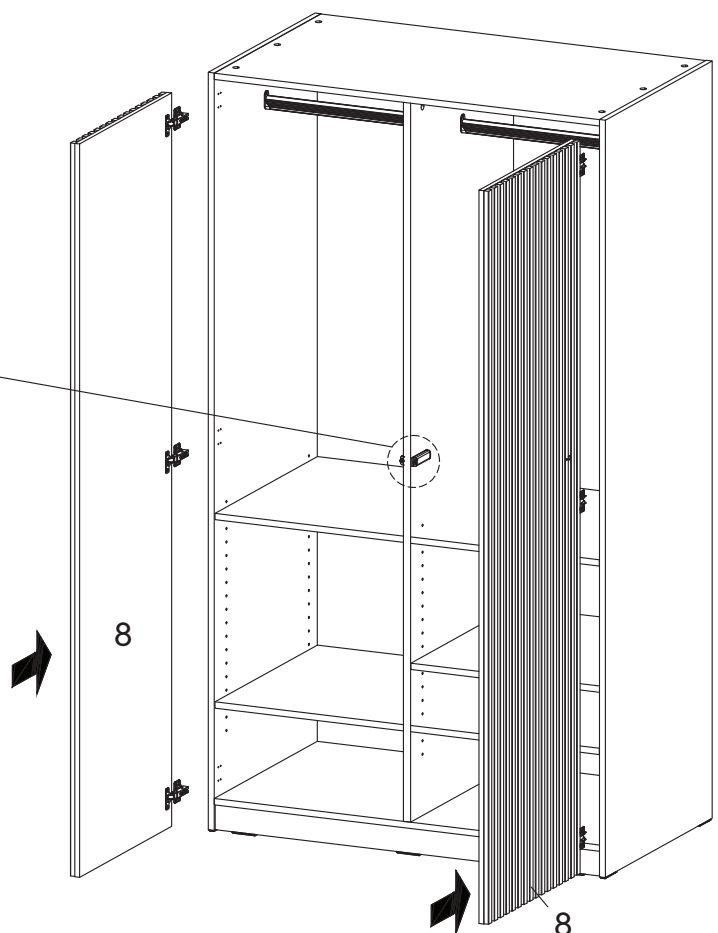
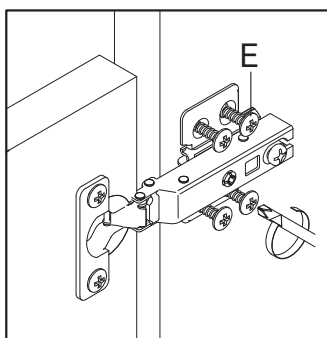
- E** Screw M 4.5 x 12.5 mm x24

COMPONENTS

- 8** Door x2



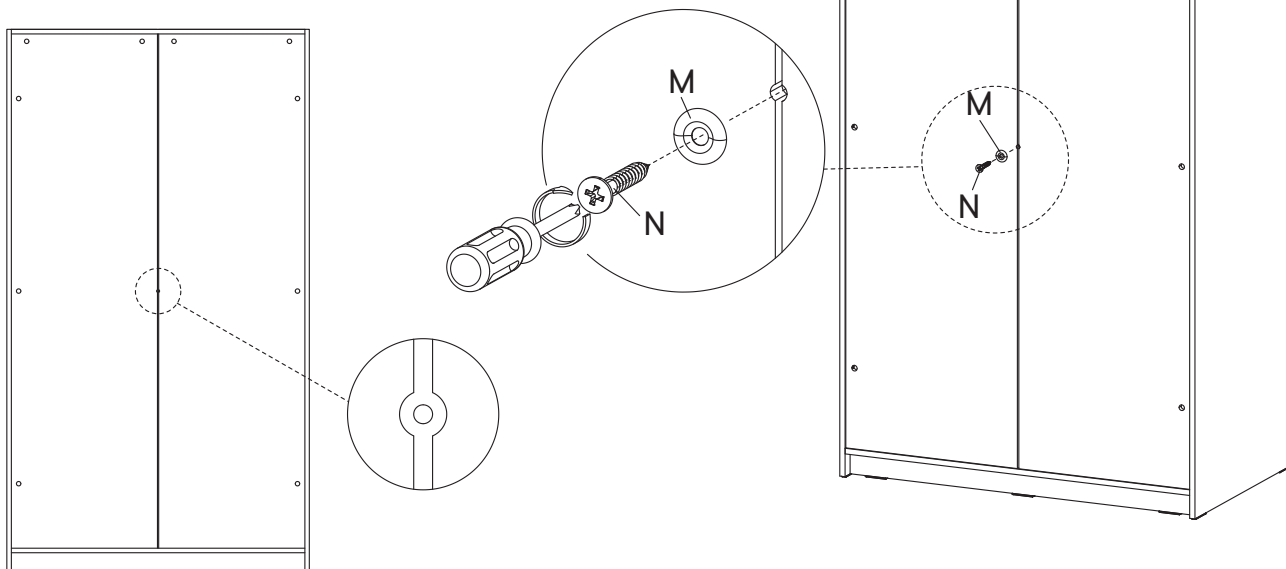
Note :
TWIST TO ADJUST



Step 16

HARDWARE

- M** Ring x1
- N** Screw 5.5 x 45 mm x1



Great job!

Wardrobe assembly is complete.

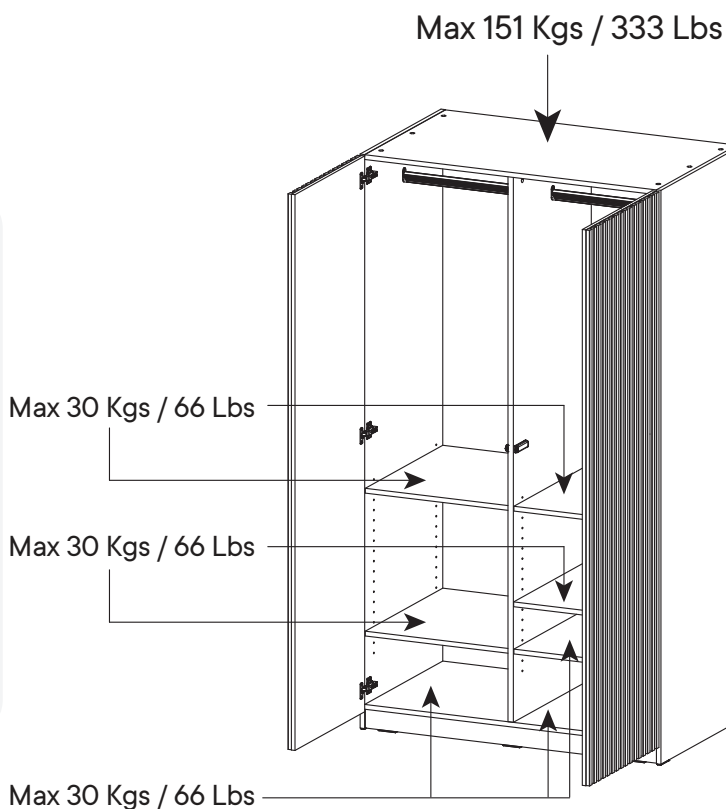
♥ CARING FOR YOUR ITEM

Indoor use only.

Not contract grade.

Clean using a non-abrasive cloth and a mild cleaner.

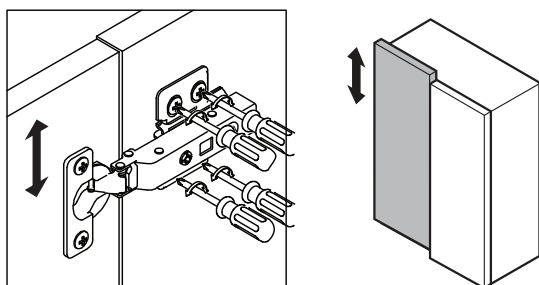
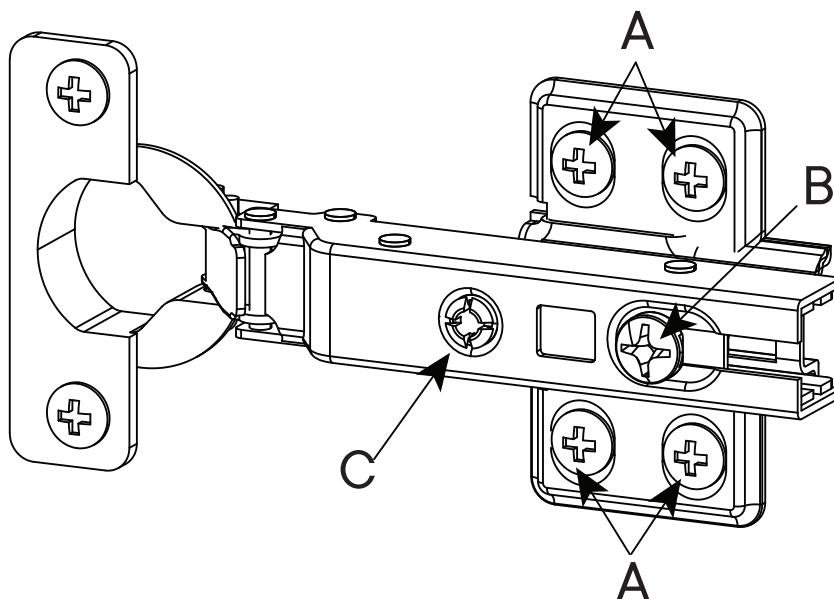
Never use harsh chemicals, as they could damage the finish or integrity of the item.



CONNECT WITH US!

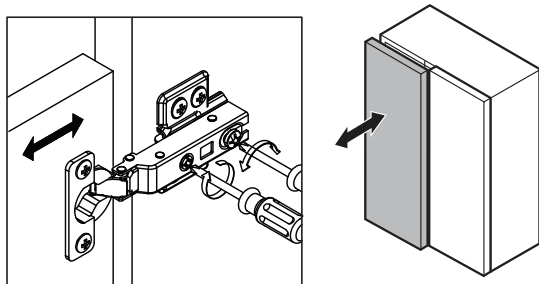
Tag us @modway_furniture and #modway for a chance to be featured.

Cabinet Door Alignment



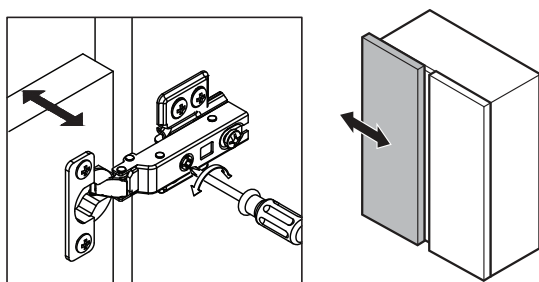
To adjust the vertical height.

Loosen the four screws "A" on both hinges. Two of them are usually in slotted holes which allows you to adjust up or down by few mm. Then tighten back up.



To adjust depth.

Loosen screw "B" and adjust door, if the door can not be adjusted, please loosen screw "C", then try again. Tighten screw "B" and "C".



To adjust side ways.

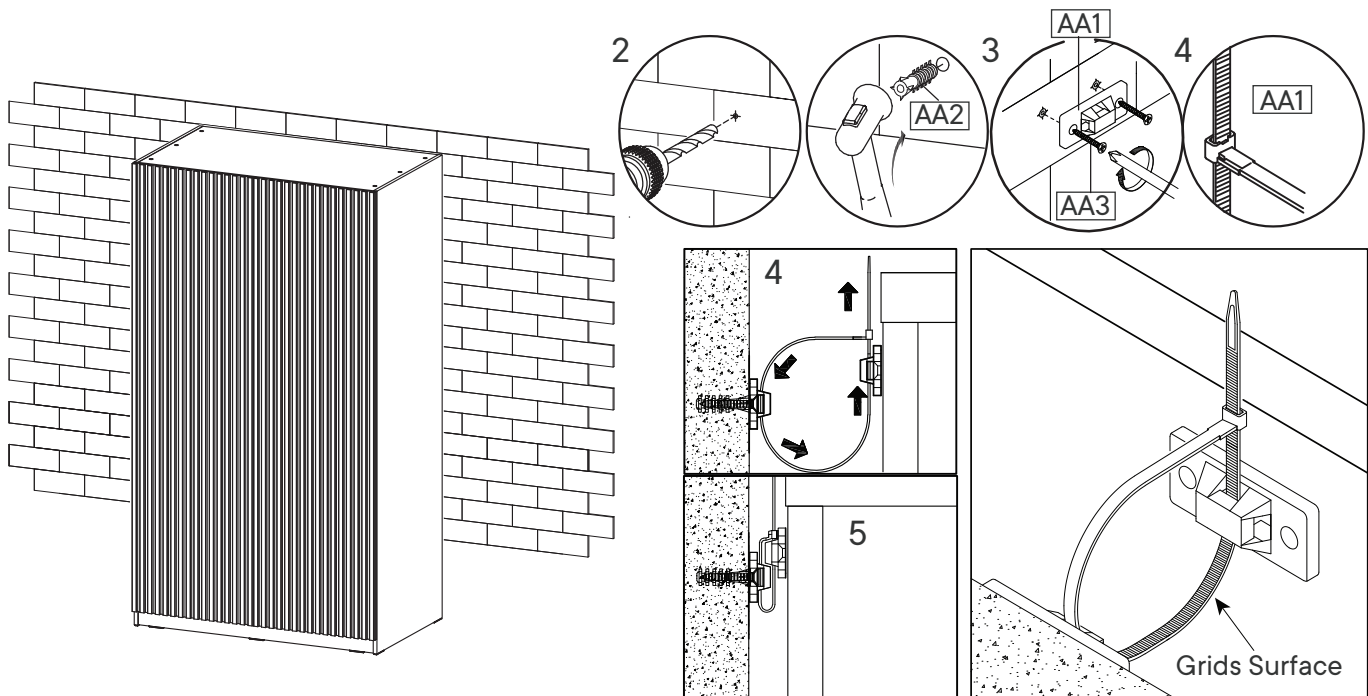
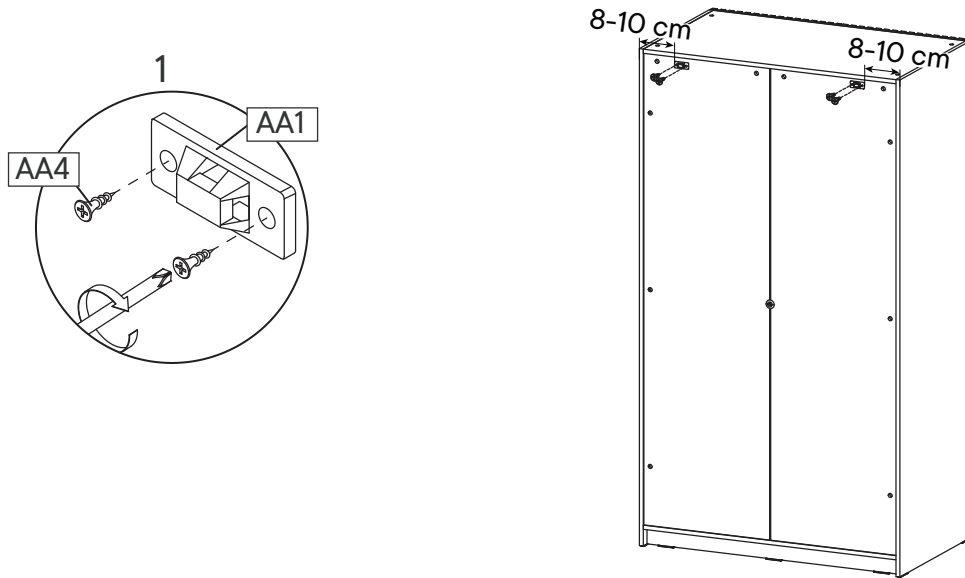
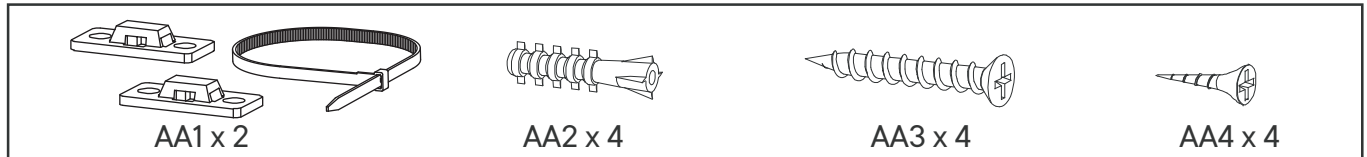
Turn screw "C" on BOTH hinges on each door.

TIPPING RESTRAINTS KIT INSTALLATION GUIDANCE

Different wall materials require unique wall fasteners.

The wall plugs (AA2) and screws (AA3) are designed for fixing to concrete walls only.

Please consult your local hardware store to ensure you are using the correct hardware for you wall type.



Installation Instructions :

1. Attach bracket (AA1) securely to the back top of the furniture using screw (AA4) provided. Allow 8 - 10 cm from each side.
2. Please make a hole for wall plugs position on the wall and minimum 15 mm below bracket secured to the back of unit attach the wall plugs (AA2).
3. Locate the other bracket (AA1) on the wall over wall plugs (AA2). Place furniture into position so both brackets (AA1) are vertically in the line.
4. Lace the end of the restraints strap through the larger hole in each bracket. Ensure the restraints strap with grids surface facing the inner loops. Bring both ends together and slide the flat end through the locking end and draw it through until all slack is removed.
5. Make sure that the strap is securely laced & locked.