

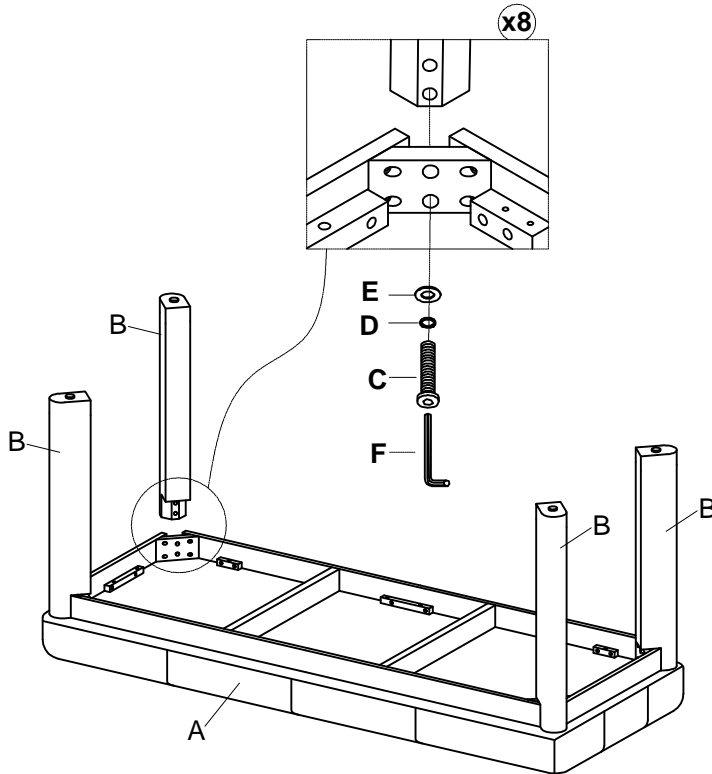
# ASSEMBLY INSTRUCTION

Model: D1248BN

Description: BENCH

Thank you for purchasing this quality product. Be sure to check all packing material carefully for small parts that may have come loose inside the carton during shipment.

Step 1:



## PARTS

A		Cushion With Frame	1pc
B		Leg	4pcs
<b>HARDWARE LIST:</b>			
C		Ø1/4*2"	8pcs
D		Ø1/4"	8pcs
E		Ø1/4"*19mm	8pcs
F		M4*68	1pcs

Step 3: Completed

