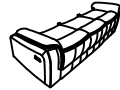





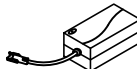



ASSEMBLY INSTRUCTIONS

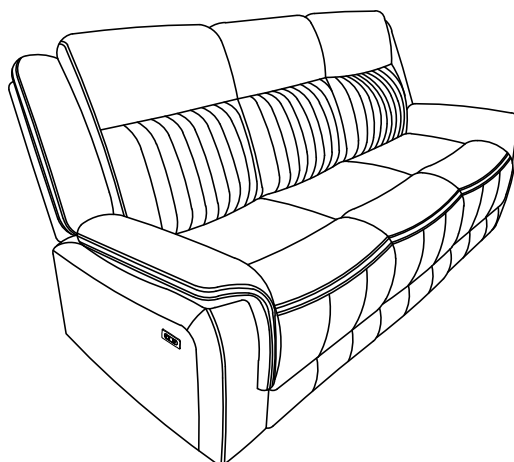
ENZO COLLECTION
ITEM#: U2505-30P1
DESCRIPTION : ENZO SOFA W/PWR FR

Thank you for purchasing this quality product. Be sure to check all packing materials carefully for small parts, which may have come loose during shipment. Identify and count all items and compare with the parts list shown below. It is recommended to have two people during assembling and to remove the back and base of the furniture out from the box. **Please follow the drawings below to assemble the item**

Parts List

NO.	DESCRIPTION	SKETCH	Q'TY
A	Seat		1 PC
B	Left Side Facing (LSF) backrest		1 PC
C	Middle Backrest		1 PC
D	Right Side Facing (RSF) backrest		1 PC
E	Left Side Facing (LSF) Wing		1 PC
F	Right Side Facing (RSF) Wing		1 PC
G	Transformer		1 PC
H	Plug		1 PC

Weight Capacity (PER SEAT)	350 lb
----------------------------	--------

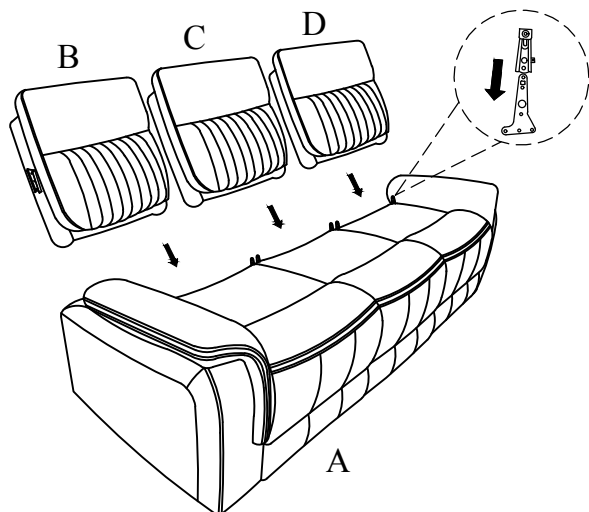


All images shown are for illustration purpose only.
 Actual product may vary due to product enhancement.

ASSEMBLY INSTRUCTIONS
ENZO COLLECTION
ITEM#: U2505-30P1
DESCRIPTION : ENZO SOFA W/PWR FR

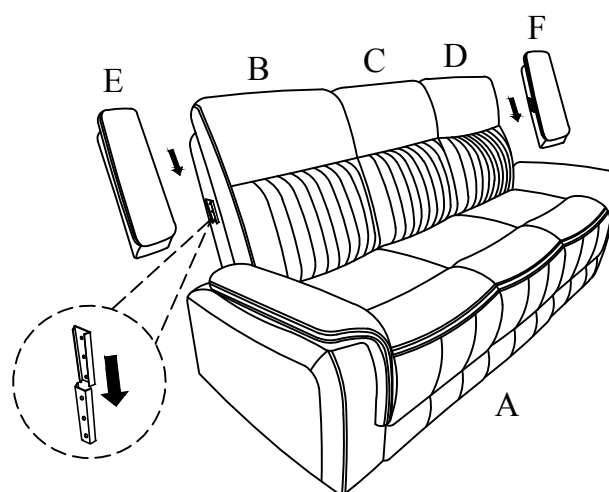
Step 1:

Attach the LSF/Middle/RSF backrests (B/C/D) to the Seat (A).



Step 2:

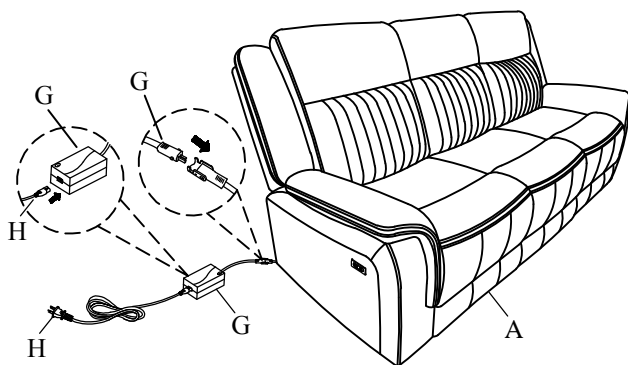
Attach the LSF Wing (E) to LSF Backrest (B) and RSF Wing (F) to RSF Backrest (D).



Step 3:

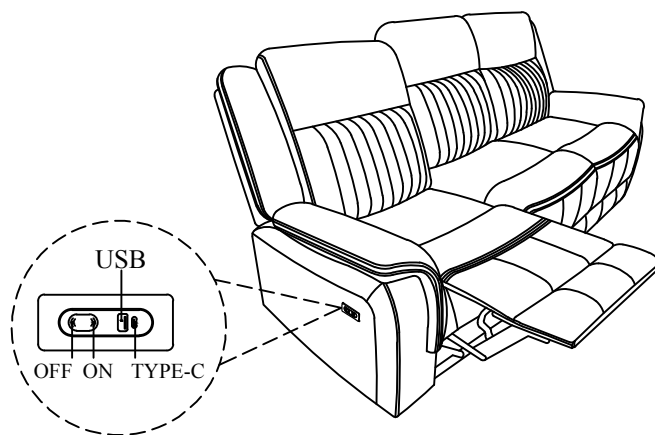
Locate the power wire under the armrest on the back of Seat (A).

Connect the Transformer (G) to the power wire and then connect the other end of the Transformer (G) to the Plug (H).



Step 4:

Open the Footrest by pressing the power button on/off.



All images shown are for illustration purpose only.
Actual product may vary due to product enhancement.