

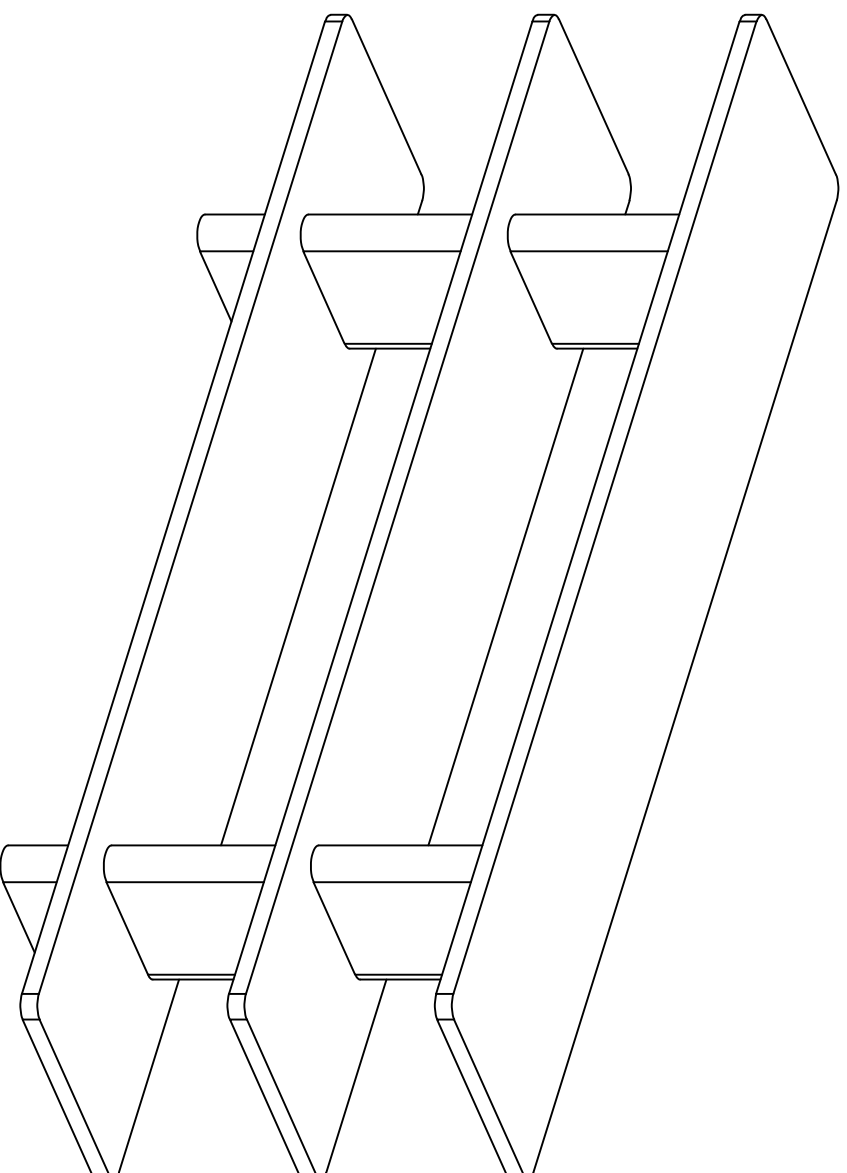
# MOE'S

home collection

## ASSEMBLY INSTRUCTIONS

CASEY BOOKCASE SMALL RUSTIC OAK





FC-1016-24











THANK YOU FOR YOUR PURCHASE !

# PARTS AND HARD WARE.

## PARTS LIST

No.	DESCRIPTION	IMAGE	QTY
A	Shelf		1
B	Shelf		2
C	Middle leg		4
D	Leg		2

## HARDWARE LIST

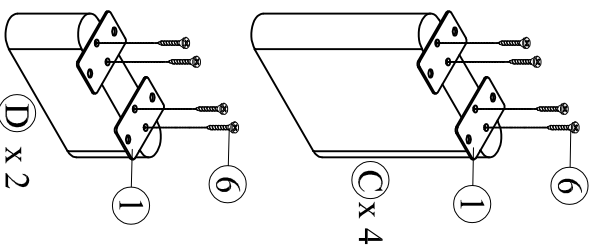
No.	DESCRIPTION	IMAGE	QTY
1	Metal pat M4x50		12
2	Wall fitting		2
3	Bolt M8x40		8
4	Bolt M8x20		24
5	Bolt M6x15		4
6	Screw M4x40		24
7	Drop In Anchor		2
8	Allen key		2

## NOTES.

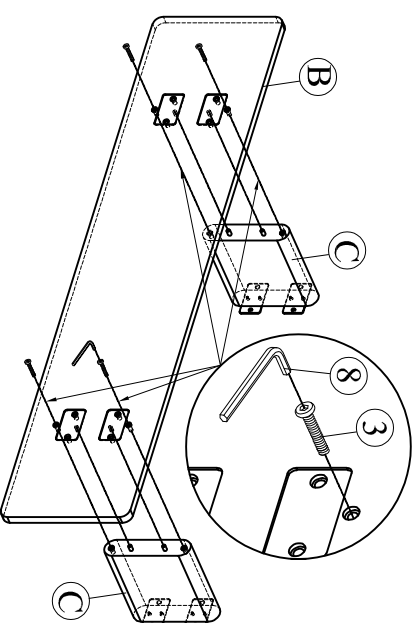
Thank you for purchasing this quality product ! Be sure to check all packing material carefully for small part that may have come loose inside the carton during shipping .

**CAUTION :** The item is heavy , assembly should be performed by two people .

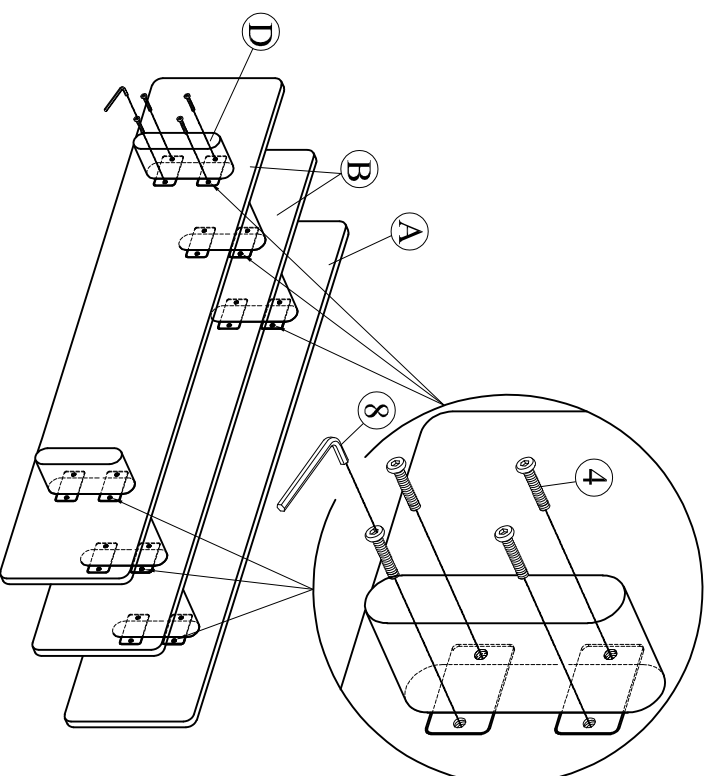
### STEP 1



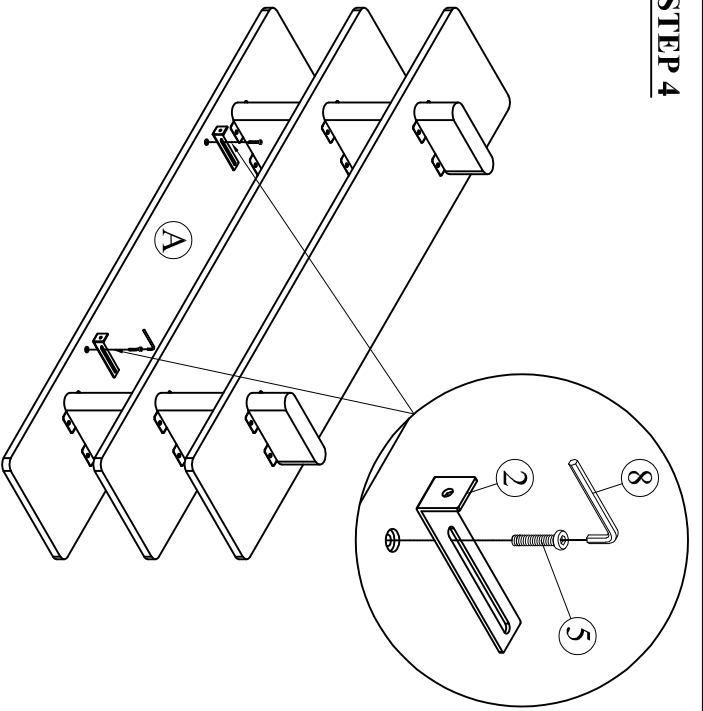
### STEP 2



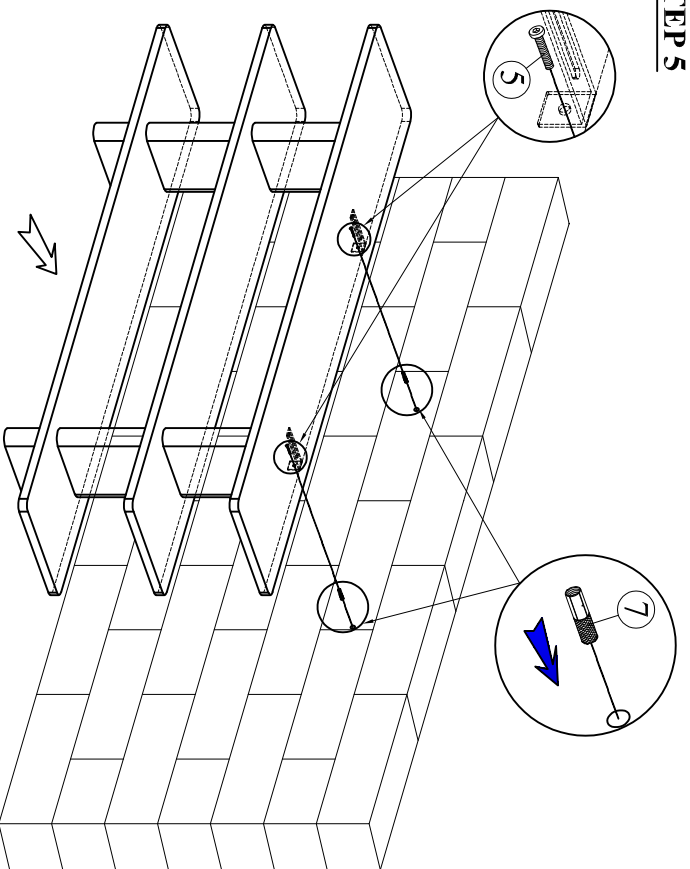
### STEP 3



**STEP 4**



**STEP 5**



**ASSEMBLY COMPLETE**

