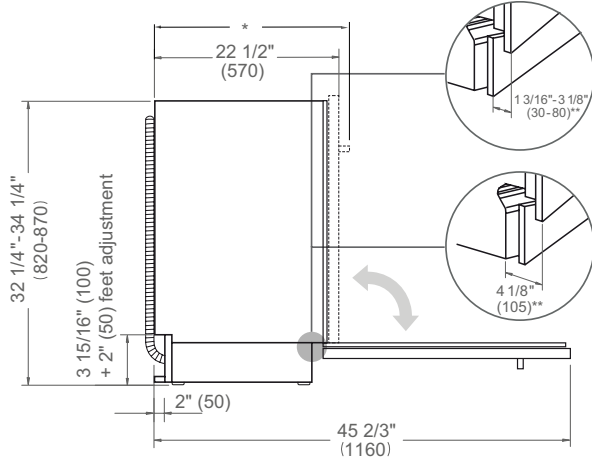


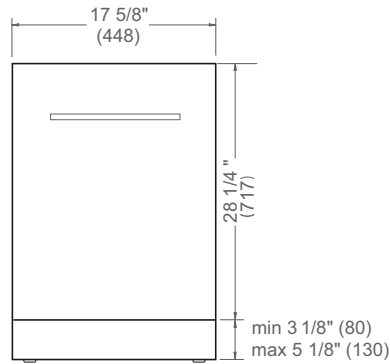
PRODUCT DIMENSIONS

SIDE VIEW

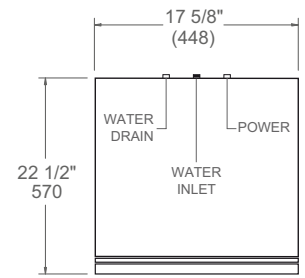


* PRO: 24 1/2" (622) / MAS: 24 3/4" (629) ** including the door

FRONT VIEW



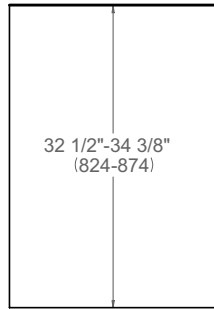
TOP VIEW



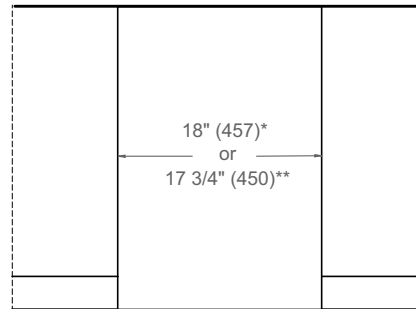
Drain hose and toe kick are provided with the unit

CUTOUT DIMENSIONS

SIDE VIEW

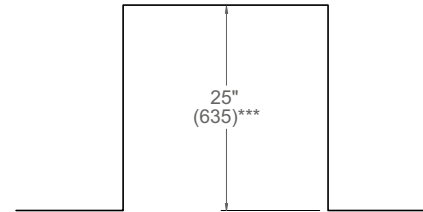


FRONT VIEW



* with vertical side trims installed
** without vertical side trims

TOP VIEW

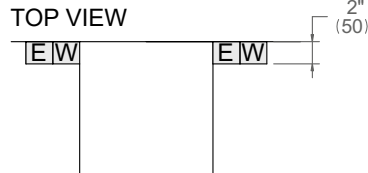


*** For a flush installation, a minimum inset depth of 22 1/2" (570) is required.

ELECTRICAL & WATER CONNECTION

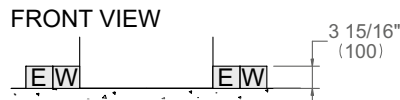
E

A properly-grounded, horizontally-mounted electrical receptacle should be installed according to this drawing.



W

To connect the water mains to the water inlet valve thread, use a 3/8" water inlet hose and 3/4" metal adapter with a length of 60" (1524) (not supplied).



Connections placement must be located on either side of the cutout.

INSTALLATION REQUIREMENTS

Follow local codes & ordinances for drain requirements. Install a waste line with an air gap (not supplied) or, alternatively, at least 30" (762) high drain loop to prevent backflow. Drain hose is 74" (1880) long. Drain hose must be connected at minimum 20" (508) from the floor.

Ensure that the designated cabinet space is delimited by side panels or a 3" (76) return on each side, with a minimum thickness of 5/8" (16) for proper support.

Dimensions in parentheses are millimeters unless otherwise specified.