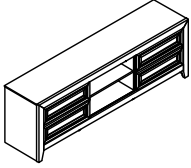



ASSEMBLY INSTRUCTION

MODEL NO: B6600-9
B6610-9
FOR TV STAND

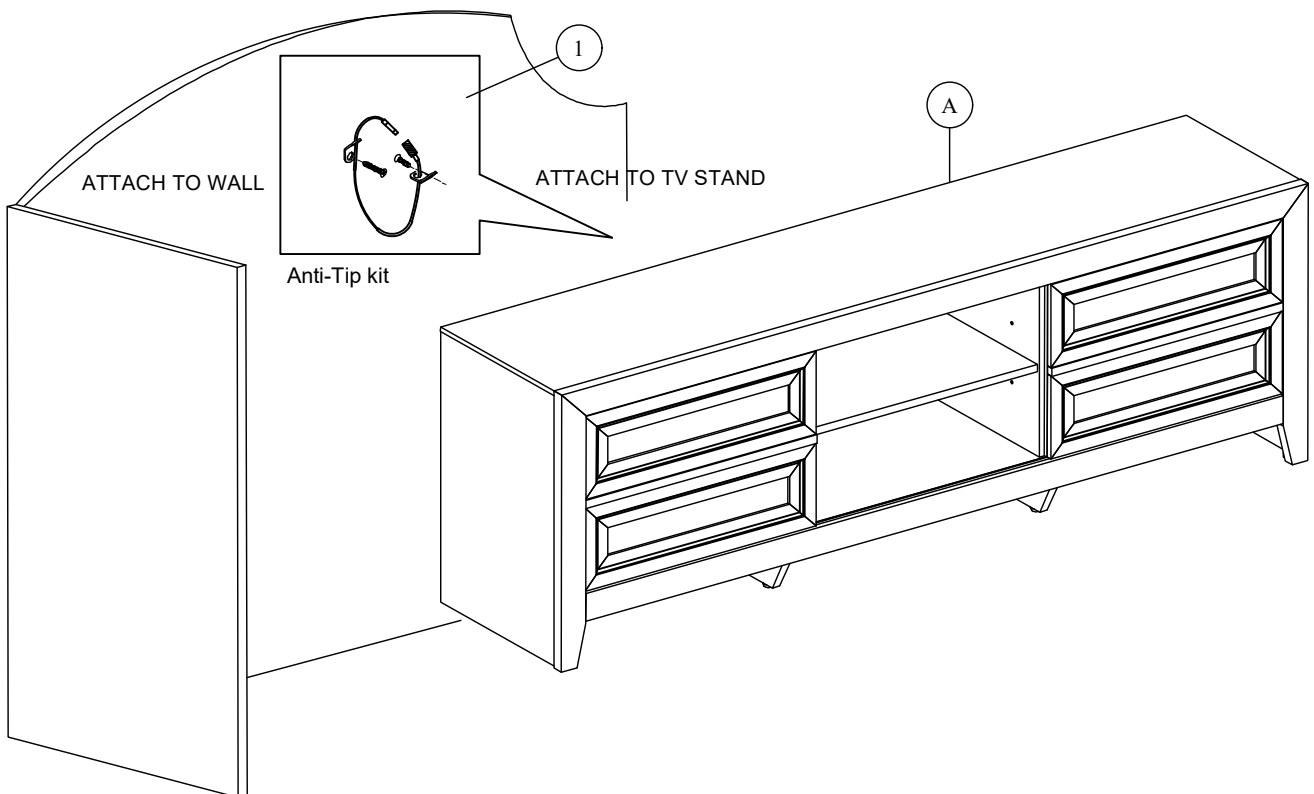
BOX OF TV STAND PART LIST

ITEM	DRAWING	DESCRIPTION	QTY
A		TV STAND	1

BOX OF TV STAND HARDWARE LIST

ITEM	DRAWING	DESCRIPTION	QTY
1		ANTI TIP-KIT	1

Step 1



THE ANTI TIPPING HARDWARE IS LOCATED AT THE BACK OF TV STAND

NOTE : PERIODICALLY CHECK TO ENSURE THAT ALL CONNECTORS (BOLTS, SCREW, ETC.) ARE TIGHT.

CLEANING INSTRUCTION

After assembled, clean & polish the completed parts if necessary with soft cloth and industrial recognized furniture polish

MADE IN MALAYSIA

TV STAND