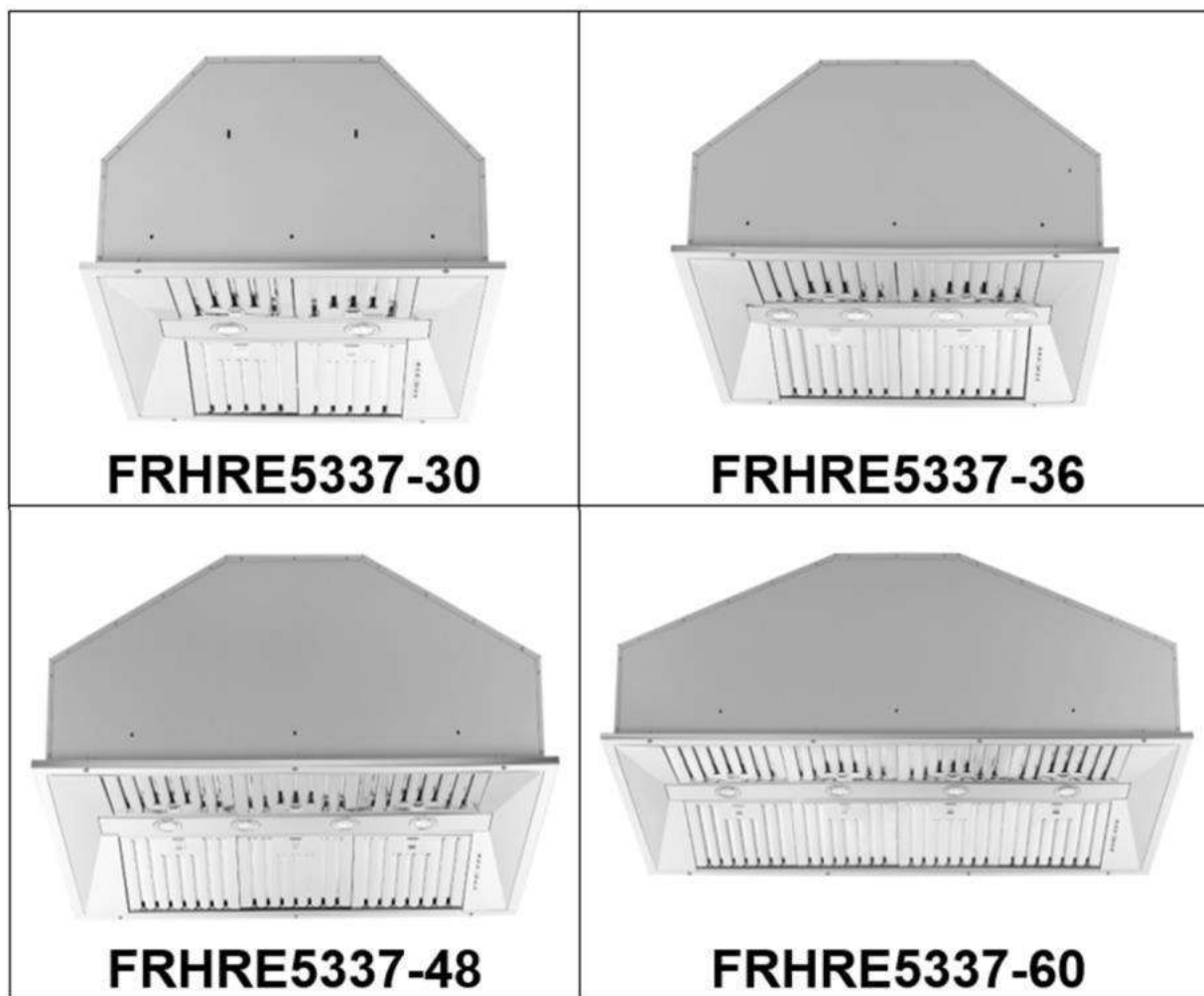




FORNO
Alta Qualita



BUILT-IN RANGE HOOD
MODEL NUMBER SERIES
FRHRE5337-30 | FRHRE5337-36 | FRHRE5337-48 | FRHRE5337-60

INSTRUCTION MANUAL & INSTALLATION GUIDE

Read these instructions carefully before using your appliance, and keep it carefully.
If you follow the instructions, your appliance will provide you with many years of good service.

Customer Care

Thank you for purchasing a Forno product. Please read the entire instruction manual before operating your new appliance for the first time. Whether you are an occasional user or an expert, it will be beneficial to familiarize yourself with the safety practices, features, operation and care recommendations of your appliance.

Both the model and serial number are listed inside the product. For warranty purposes, you will also need the date of purchase .

Product Information

Model Number : _____

Serial Number : _____

Date of Purchase : _____

Purchase Address And Phone : _____

Service Information

Use these numbers in any correspondence or services calls concerning your product.

If you received a damaged product, immediately contact Forno.

To save time and money, before you call for serviced, check the troubleshooting guide. It listed the causes of minor operation problems that you can correct yourself.



“Need some quick help? Simply scan the qr code and get access to our fast support form. We’re always here to assist you with any questions or concerns you may have. So, don’t hesitate to reach out!”

Services in Canada and Untied States

Keep the instruction manual handy to answer your questions. If you don’t understand something or need more assistance, please visit our website for fast support. Please provide us your name, number, address, serial number of the product that troubleshooting, proof of purchase, and a short description of the issue. A customer service representative will contact you as soon as possible. All warranty work needs to be authorized by FORNO customer service. All our authorized service providers are carefully selected and rigorously trained by us.

Warranty

What this limited warranty covers:

The Warranty coverage provided by Forno Appliances in this statement applies exclusively to the original Forno appliance ("Product") sold to the consumer ("Purchaser") by an authorized Forno dealer/distributor/retailer, purchased and installed in the United States or Canada, and which has always remained within the original country of purchase (the United States or Canada). Warranty coverage is activated on the date of the Product's original retail purchase and has a duration of two (2) years.

Warranty coverage is non-transferable. In the event of replacement of parts or of the entire product, the replacement Product (or parts) shall assume the remaining original Warranty activated with the original retail purchase document. This Warranty shall not be extended with respect to such replacement. Forno Appliances will repair or replace any component/part which fails or proves defective due to materials and/or workmanship within 2 years of the date of the original retail purchase and under conditions of ordinary residential, non-commercial use. Repair or replacement will be free of charge, including labor at standard rates and shipping expenses. Purchaser is responsible for making the Product reasonably accessible for service. Repair service must be performed by a Forno Authorized Service company during normal working hours.

IMPORTANT

Retain proof of original purchase to establish warranty period. Forno's liability on any claim of any kind, with respect to the goods and/or services provided, shall in no event exceed the value of the goods or service or part there of which has given rise to the claim.

30-Day Cosmetic Warranty

The Purchaser must inspect the product at the time of delivery. Forno warrants that the Product is free from manufacturing defects in materials and workmanship for a period of thirty (30) days from date of the original retail purchase of the Product.

This coverage includes:

- Paint blemishes
- Chips
- Macroscopic finish defects

Cosmetic warranty does NOT cover:

- > issues resulting from incorrect transport, handling and/or installation (e.g.: dents, broken, warped or deformed structures or components, cracked or otherwise damaged glass components);
- > slight color variations on painted/enamelled components;
- > differences caused by natural or artificial lighting, location or other analogous factors;
- > stains/corrosion/discoloration caused by external substances and/or environmental factors;
- > labor costs, display, floor, B-stock, out- of-box, "as is" appliances and demo units.

How to receive service

To receive warranty services, the Purchaser must contact the Forno Support department in order to determine the problem and the required service procedures. Troubleshooting with a customer service representative will be necessary before moving forward with the service. Model number, serial number and date of original retail purchase will be requested.

Warranty Exclusions: What Is Not Covered.

- > Use of the Product in any non-residential, commercial application.
- > Use of the Product for anything other than its intended purpose.
- > Repair services provided by anyone other than a Forno Authorized Service agency.
- > Damages or repair services to correct services provided by unauthorized parties or the use of unauthorized parts.
- > Installation not in accordance with local/state/city/county fire codes, electrical codes, gas codes, plumbing codes, building codes, laws or regulations.
- > Defects or damage due to improper storage of the Product.
- > Defects, damage or missing parts on products sold out of the original factory packaging or from displays.
- > Service calls or repairs to correct an incorrect installation of the Product and/or related accessories.
- > Replacement of parts/service calls to connect, convert or otherwise repair the electrical wiring and/or gas line in order to properly use the product.
- > Replacement of parts/service calls to provide instructions and information on the use of the Product.
- > Replacement of parts/service calls to correct issues arising from the product being used in a manner other than what is normal and customary for residential use.
- > Replacement of parts/service calls due to wear and tear of components such as seals, knobs, pan supports, shelving, cutlery baskets, buttons, touch displays, scratched or broken ceramic-glass tops.
- > Replacement of parts/service calls for lack of/improper maintenance, including but not limited to: build up of residues, stains, scratches, discoloration, corrosion.
- > Defects and damages arising from accidents, alteration, misuse, abuse or improper installation.
- > Defects and damages arising from Product transport, logistics and handling. Inspection of the product must be made at time of delivery. Following receipt and inspection, the selling dealer/delivery company must be notified of any issues arising from handling, transport and logistics.
- > Defects and damages arising from external forces beyond the control of Forno Appliances, including but not limited to wind, rain, sand, fires, floods, mudslides, freezing temperatures, excessive moisture or extended exposure to humidity, power surges, lightning, structural failures surrounding the appliance and other acts of God.
- > Products whose serial number has been altered/damaged/tampered with. In no case shall Forno be held liable or responsible for damage to surrounding property, including furniture, cabinetry, flooring, panels, and other structures surrounding the Product. Forno is neither liable nor responsible for the Product if it is located in a remote area or an area where certified trained technicians are not reasonably available. Purchaser must bear any transportation and delivery costs of the Product to the nearest Authorized Service Center or the additional travel expenses of a certified trained technician

THERE ARE NO EXPRESS WARRANTIES OTHER THAN THOSE LISTED AND DESCRIBED ABOVE, AND NO WARRANTIES, EITHER EXPRESS OR IMPLIED, INCLUDING, BUT NOT LIMITED TO, ANY IMPLIED WARRANTIES OF MERCHANTABILITY OR FITNESS FOR A PARTICULAR PURPOSE THAT SHALL APPLY AFTER THE EXPRESS WARRANTY PERIODS STATED ABOVE, AND NO OTHER EXPRESS WARRANTY OR GUARANTEE GIVEN BY ANY PERSON, FIRM OR CORPORATION WITH RESPECT TO THIS PRODUCT SHALL BE BINDING ON FORNO. FORNO SHALL NOT BE LIABLE FOR LOSS OF REVENUE OR PROFITS, FAILURE TO REALIZE SAVINGS OR OTHER BENEFITS, TIME AWAY FROM WORK, MEALS, LOSS OF FOOD OR BEVERAGES, TRAVELING OR HOTEL EXPENSES, EXPENSES TO RENT OR PURCHASE APPLIANCES, REMODELING/CONSTRUCTION EXPENSES IN EXCESS OF DIRECT DAMAGES WHICH ARE UNDENIABLY CAUSED EXCLUSIVELY BY FORNO OR ANY OTHER SPECIAL, INCIDENTAL OR CONSEQUENTIAL DAMAGES CAUSED BY THE USE, MISUSE OR INABILITY TO USE THIS PRODUCT, REGARDLESS OF THE LEGAL THEORY ON WHICH THE CLAIM IS BASED, AND EVEN IF FORNO HAS BEEN ADVISED OF THE POSSIBILITY OF SUCH DAMAGES. NOR SHALL RECOVERY OF ANY KIND AGAINST FORNO BE GREATER IN AMOUNT THAN THE PURCHASE PRICE OF THE PRODUCT SOLD BY FORNO AND CAUSING THE ALLEGED DAMAGE. WITHOUT PREJUDICE TO THE FOREGOING, PURCHASER ASSUMES ALL RISK AND LIABILITY FOR LOSS, DAMAGE OR INJURY TO PURCHASER AND PURCHASER'S PROPERTY AND TO OTHERS AND THEIR PROPERTY ARISING FROM THE USE, MISUSE, OR INABILITY TO USE THIS PRODUCT SOLD BY FORNO THAT IS NOT A DIRECT RESULT OF NEGLIGENCE ON THE PART OF FORNO THIS LIMITED WARRANTY SHALL NOT EXTEND TO ANYONE OTHER THAN THE ORIGINAL PURCHASER OF THIS PRODUCT, IS NON-TRANSFERABLE, AND STATES YOUR EXCLUSIVE REMEDY.

SAFETY INSTRUCTIONS



This is the safety alert symbols. These symbols alert you to potential hazards that can hurt you and others. All safety messages will follow the safety alert symbols.

READ ALL INSTRUCTIONS BEFORE INSTALLING AND OPERATING THIS APPLIANCE.

The installation instructions in this manual are intended for qualified installers, service technicians, or persons with similar qualified background. Installation and electrical wiring must be done by qualified professionals and in accordance with all applicable codes and standards, including first-rated construction. DO NOT attempt to install this appliance yourself. Injury could result from installing the unit due to lack of appropriate electrical and technical background. Due to the size and weight of this range hood, two people installation is recommended.

Range hood may have very sharp edges; please wear protective gloves if it is necessary to remove any parts for installing, cleaning, or servicing.

Activating any switch ON before completing installation may cause ignition or an explosion.

TO REDUCE THE RISK OF FIRE, ELECTRIC SHOCK OR INJURE TO PERSONS, PLEASE OBSERVE THE FOLLOWINGS:

Your safety and the safety of others is very important. We have provided many important safety messages in this manual and on your appliance. Always read and obey all safety messages. All safety messages will tell you what the potential hazard is, tell you how to reduce the chance of injury, and tell you what can happen if the instructions are not followed.

All electrical wiring must be properly installed, insulated, and grounded.

Old duct work should be cleaned or replaced, if necessary, to avoid the possibility of a grease fire. Check all joints on duct work to insure proper connection, all joints should be properly taped.

When the range hood ventilates the air out of the room, the air vented must be replaced, this is called make-up air. If a makeup air system is needed, but not used, a hood may not function as expected due to negative air pressure. We do not currently provide a make-up air unit. Always consult any applicable building codes in your area regarding minimum and maximum air flow rates. Certain states may require additional items such as make-up air for larger CFM range hoods (typically over 300 CFM).

To reduce the risk of fire and to disperse air properly, make sure to vent air outside. DO NOT vent exhaust into spaces between walls, crawl spaces, ceilings, attics, or garages.

For residential ventilating use only. DO NOT use to exhaust hazardous or explosive materials and vapors. The combustion air flow needed for safe operation of fuel-burning equipment may be affected by this unit's operation. Follow the heating equipment manufacturer's guideline and safety standards such as those published by the National Fire Protection Association (NFPA), and the American Society of Heating, Refrigeration and Air Conditioning Engineers (ASHRAE), and the local code authorities. Sufficient air is needed for proper combustion and exhausting of gases through the duct to prevent back drafting.

Ducted range hoods MUST ALWAYS be vented to the outdoors. All our range hoods come with a transition

piece with a built-in damper. Some existing installations may already have an external damper. Please consult an HVAC or installation professional for advice to comply with local regulations.

Keep all fans, baffle, spaces, filter, grease tunnel, oil container and grease-laden surfaces clean. Grease should not be allowed to accumulate on fan, baffle, spaces, filter, grease tunnel or oil container. Clean grease-laden surfaces frequently.

This appliance is design to be operated by adults. Children were not allowed to temper with the controls or play with this appliance.

To reduce the risk of fire or electric shock, do not use this fan with any solid-state speed control device.

When cutting or drilling into wall or ceiling, do not damage electrical wiring and other hidden utilities.

Before servicing or cleaning unit, switch power OFF at service panel and lock service panel to prevent power from being switched ON accidentally.

Use this unit only in the manner intended by the manufacturer. If you have any questions, contact the FORNO.

TO REDUCE THE RISK OF INJURY TO PERSONS IN THE EVENT OF A STOVE TOP GREASE FIRE:

All FORNO range hoods are ETL listed, ensuring all parts were tested for safety and meet industry standards and regulations. NOTE: This ensures all included metal ducting pieces were tested for safety and are flame retardant.

Always turn hood ON when cooking at high heat or when cooking flaming foods (Crepes Suzette, Cherries Jubilee, Peppercorn Beef Flambe). Never leave surface units unattended at high settings. Boil overs cause smoking and greasy spillovers that may ignite. Heat oils slowly on low or medium settings.

Clean hood frequently. Grease should not be allowed to accumulate on fan or filter.

Use proper pan size. Always use cookware appropriate for the size of the surface element.

INSTALLATION & USE

NOTE 1: On stainless steel hoods, carefully remove the plastic protective film (if have) from all exterior surfaces of the hood and chimney prior to final installation

NOTE 2: At least two people will be required to mount the hood.

DESCRIPTION / CONNECTION

This range hood should be mounted directly to the support frame mounting, where the support frame flue shall secure to the ceiling joist or framework.

Ductwork can be installed vertically or horizontally.

Duct runs should be as short as possible.

Avoid the use of elbows.

Use duct tape at all joints.

Do not use duct smaller than the discharge on the hood.

Electrical Connection

Electrical wiring must be done by a qualified person(s) in accordance with all applicable codes and standards.

Turn off electrical power at service entrance before wiring.

If the supply cord is damaged, it must be replaced by the manufacturer, its service agent, or similarly qualified persons to avoid a hazard.

Do not use the plug and an extension cord other than the ones initially supplied with the hood.



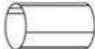





The earthing of this hood is compulsory. Do not remove ground prong of the plug.

* The earthing of this hood is compulsory. Do not remove ground prong of the plug.

INSTALLATION PREPARATION

* Please plug in and check that all functions are working

TOOLS AND MATERIALS REQUIRED (Not supplied)

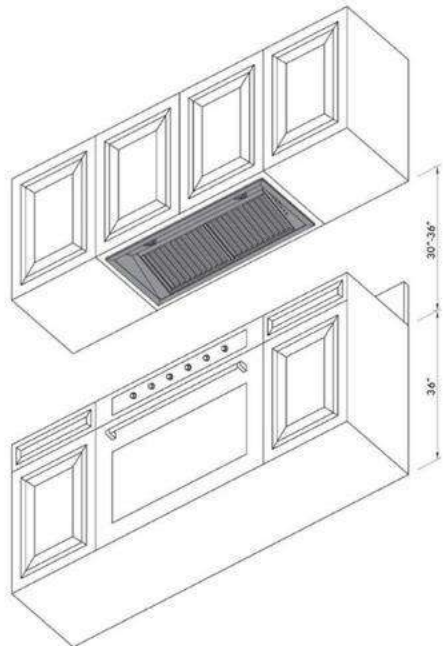
	Pencil and tape measure		Duct tape
	Wire cutter/stripper		Wrench
	Hammer		Keyhole Saw
	Level		Safety glasses
	Step ladder		Electric or battery-operated drill and 1/8", 3/8" bits
	Wire nuts		10" round metal duct, length to suit installation
	Pliers		Metal Snips
	Saber saw or Sawzall		Flashlight
	Screwdrivers		Strain relief for joint cover.
	120V 60Hz. 15 or 20 Amp, 2-wire with ground. Properly grounded branch circuit.		

MOUNT HEIGHTS & CLEARANCE

The minimum mounting height between range top to hood bottom should be no less than 30".

The optimal maximum height should be 36" above the cooktop (please note that the 36", 48" & 60" unit can install up to 42" above the cooktop, but it may result in a loss of efficiency).

It is important to install the hood at the proper mounting height. Hoods mounted too low could result in heat damage and fire hazard; while hoods mounted too high will be hard to reach and will lose its performance and efficiency.



Ducting (not provided)

NEVER exhaust air or terminate duct work into spaces between walls, crawl spaces, ceiling, attics or garages.

All exhaust must be ducted to the outside. Use Metal ductwork only.

Fasten all connections with sheet metal screws and tape all joints w/ certified Silver Tape or Duct Tape.

Duct Run Calculation:

Maximum run 6" or 3-1/4 x 10" duct	100FT
Deduct:	
each 90 Elbow used	15FT
each 45 Elbow used	9FT
each 6" to 3-1/4 x 10"	1FT
transition used	
each 3-1/4 x 10" to 6"	5FT
transition used	
Side Wall Cap w/ damper	30FT
Roof Cap	30FT

DUCT SIZE

A minimum of ϕ 6" for 30" & 10" for 36", 48" and 60" round duct must be used to maintain maximum airflow efficiency.

Flexible ducts are provided for convenience, always use rigid type metal ducts to maximize airflow.

Also use calculation (on left) to compute total available duct run when using elbows, transitions, and caps.

ALWAYS reduce the number of transitions and turns. If required a long duct increase duct size from 6" to 8" for the 30" & from 10" to 12" for the 36", 48" and 60".

If a reducer is used, install a long reducer instead of pancake reducer. Reduce duct size as far away from opening as possible.

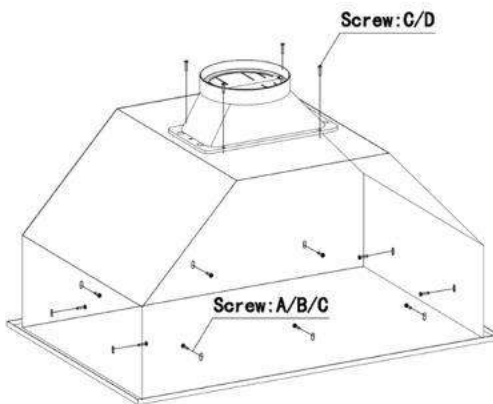
If turns or transitions are required: Install as far away from opening and as far apart, between 2, as possible.

e.g. – 1 roof cap, 2x90 elbows, 1x45 elbow =
 $30' + 30' + 9' = 69'$ used, 31' available for
straight duct runs

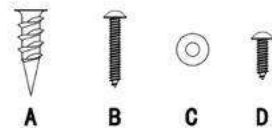
Prepare Location

Please unpack your range hood when it is delivered and inspect to ensure all parts are included.

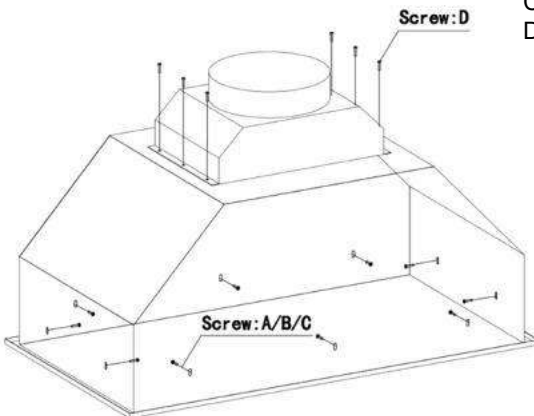
- 1.Hood body with Lights and Button Pre-Installed
- 2.Air Outlet Adapter ($\phi 6''$ for 30'', $\phi 10''$ for 36'',48'' and 60'')
- 3.Duct (1.5m long, $\phi 6''$ for 30'', $\phi 10''$ for 36'',48'' and 60'')
- 4.Baffle filters (4x for 30'',36''.6x for 48'',8x for 60'')
- 5.Screws and Anchors
- 6.Grease Cup
- 7.Instruction Manual



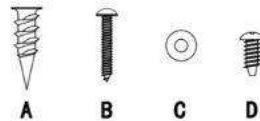
FRHRE5337-30



- A: $\text{\O}13 \times 42$ mm nylon expansion anchors
B: M4x35mm Cross circular self-tapping screws
C: $\text{\O}5$ mm washer
D: M4x12mm Cross round triangle screws



FRHRE5337-36, FRHRE5337-48, FRHRE5337-60

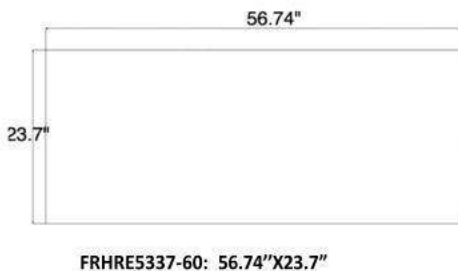
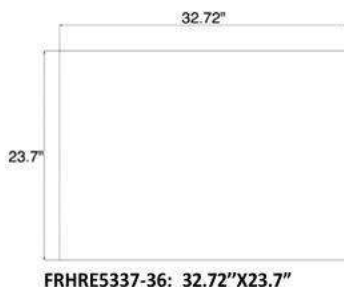
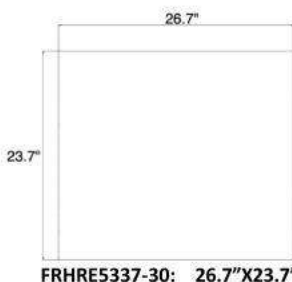


- Lay out the vent duct system before installing the range hood to determine the best routing for the vent duct.
- It is recommended that the vent system be installed before the range hood is installed.
- Range hood is to be installed 30" min. from cooking surfaces.
- At least two people will be required to mount the hood.
- Range hood is very heavy, must be installed in support structures. (Support structure is not included with range hood, please prepare yourself)

NOTE: Mounting holes location should be into support structure capable of holding 88bs (40kg)

Range Hood Installation

1. Measure and cut the opening at the bottom of the cabinet According to the dimensions indicated as below.

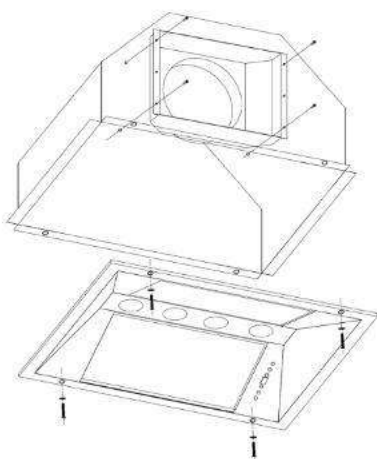


NOTE: The Air Outlet Adapter on the FRHRE5337-30 is pre-installed on the unit.

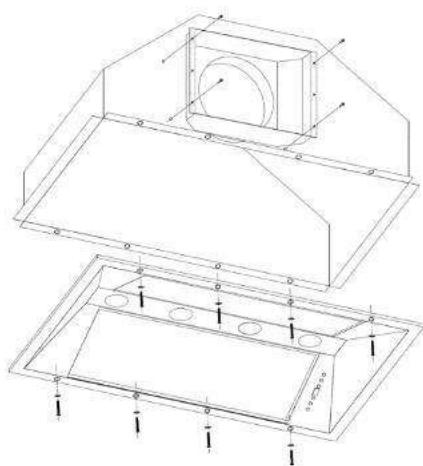
To properly install the range hood, it is necessary to remove the Air Outlet Adapter from models FRHRE5337-36, FRHRE5337-48, and FRHRE5337-60. Please follow the steps below:

2. Begin by removing the Face Plate of the range hood body. For the 36" model, remove the 4 screws securing the Face Plate. In the case of the 48" model, remove the 6 screws, and for the 60" model, remove the 8 screws.
3. Locate the Air Outlet Adapter inside the range hood body. It is fixed in place by four screws.

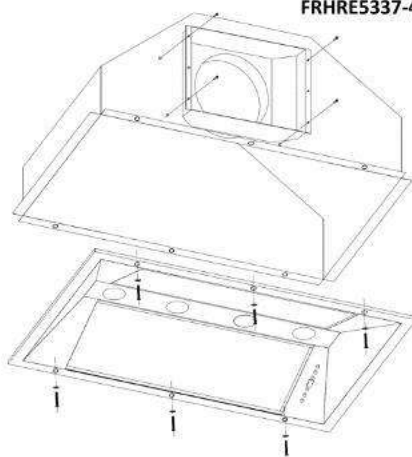
4. Carefully remove the four screws securing the Air Outlet Adapter.



FRHRE5337-36



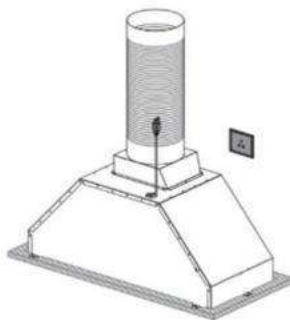
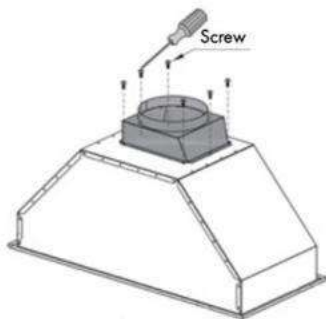
FRHRE5337-48



FRHRE5337-60

By following these steps, you will successfully remove the Air Outlet Adapter from the range hood body, allowing for proper installation.

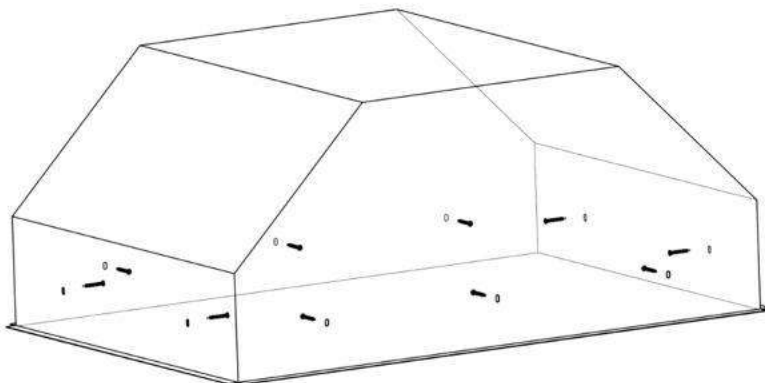
5. Fix air outlet adapter over the hood by screws (ϕ 6" for 30", ϕ 10" for 36", 48" and 60").
6. Secure the duct connected with the air outlet adapter by using duct tape to seal the joints.



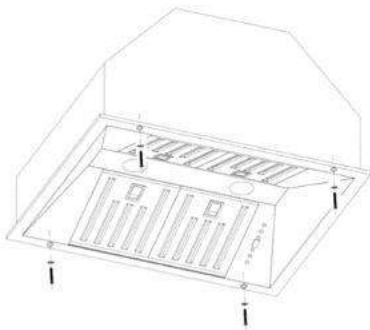
7. Loose screws between range hood body and face plate. (4 screws in 30" and 36", 6 screws in 48", 8 screws in 60") **Note: This step should already be done for the 36", 48" & 60" (See step 2)**
8. Lift the range hood body insert into cabinet, secure range hood to support structures (3 screws in front and back, 2 screws in left and right), Adjust the level of range hood, then tighten all screws.

NOTE: Range hood is very heavy, please make sure support structures must be able to support the weight of hood in 88lbs(40kg)

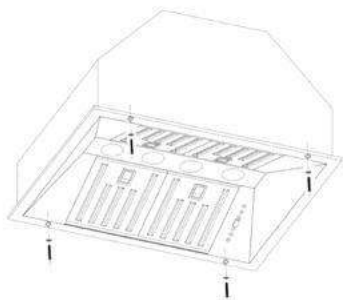
Mounting holes in range hood locate in 2.35" high from range hood bottom, please install support structures in correct position.



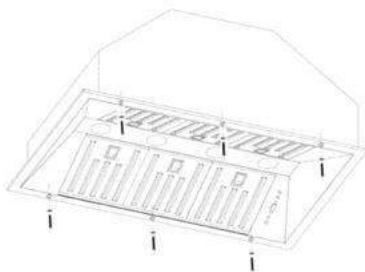
9. Fix face plate to range hood body by screws (4 screws in 30" and 36", 6 screws in 48", 8 screws in 60").
Install baffle filter to range hood.



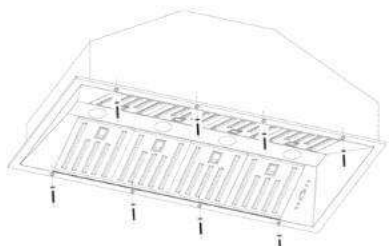
FRHRE5337-30: 4 screws.



FRHRE5337-36: 4 screws

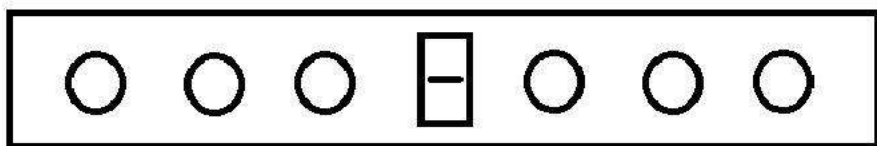


FRHRE5337-48: 6 screws



FRHRE5337-60: 8 screws

OPERATIONS



K1

K2

K3

LED

K4

K5

K6

K1: Power Button/Power-off Delay Button

When range hood is off, press this button to turn on range hood, press K2 K3 K4 K5 to adjust motor speed.

When range hood is on, press this button to enter Power-off delay function, timer is 3 minutes, the range hood will turn off automatically when time up.

K2: First Speed

K3: Second Speed

K4: Third Speed

K5: Fourth Speed

K6: Light Button. Turn on and off the light

MAINTENANCE & CLEANING

Surface Maintenance:

Clean periodically with hot soapy water and clean cotton cloth. Do not use corrosive or abrasive detergent (e.g. comet powder scrub, EZ-Off oven cleaner), or steel wool/scoring pads which will scratch and damage surface.

For heavier soil use liquid degreaser such as 'Formula 409' or 'Fantastic' brand cleaner.

After cleaning, you may use nonabrasive stainless-steel polish/cleaners such as 3M or ZEP, to polish and buff out the stainless luster and grain. Always scrub lightly, with clean cotton cloth, and with the grain

Filters:

The Filters fitted by the factory are intended to filter out residue and grease from cooking. It need not be replaced on a regular basis but are required to be kept clean.

Filters should be cleaned after every 30 hours of use.

Remove and clean by hand in a basin of hot soapy water. The filter is also dishwasher safe.

If heavily soiled, spray 'Formula 409' or equivalent degreasing detergent and leave to soak.

Dry filters and re-install before using hood.

Hood Cleaning

The saturation of greasy residue in the blower and filters may cause increased inflammability. Always keep unit clean and free of grease and residue build-up to prevent possible fires.

Filters must be cleaned periodically and free from accumulation of cooking residue (see cleaning instructions inside). Old and worn filters must be replaced immediately. Do not operate blowers when filters are removed. Never disassemble parts to clean without proper instructions. Disassembly is recommended to be performed by qualified personnel only. Call our service center for removal instructions.

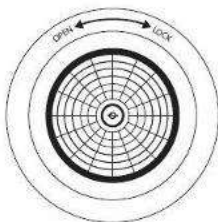
Stainless steel is one of the easiest materials to keep clean. Occasional care will help preserve its fine appearance.

Cleaning tips:

- * Hot water with soap or detergent is all that is usually needed.
- * Rinse with clear water. Wipe dry with a clean, soft cloth to avoid water marks.
- * For discolorations or deposits that persist, use a non-scratching household cleanser or stainless-steel polishing powder with a little amount of water and a soft cloth.
- * For stubborn stain, use a plastic scouring pad or soft bristle brush together with cleanser and water. Rub lightly in direction of polishing lines or "grain" of the stainless finish. Avoid using too much pressure that may mar the surface.
- * Do not allow deposits to remain for long periods of time.
- * Do not use ordinary steel wool or steel brushes. Small bits of steel may adhere to the surface causing rust.
- * Do not allow salt solutions, disinfectants, bleaches, or cleaning compounds to remain in contact with stainless steel for extended periods. Many of these compounds contain chemicals that may be harmful. Rinse with water after exposure and wipe dry with a clean cloth.
- * Painted surfaces should be cleaned with warm water and mild detergent only.

LIGHT bulbs

WARNING: Please ensure lights have been switched off for some time and the power source has been disconnected before replacing any globes. Please be aware that the light will retain heat for a short period of time after being switched off.



Step 1: Turn anti-clockwise to open

Step 2: Take the existing globe out

Step 3: Insert a new globe (GU10 Fitting) and turn clockwise in lock position

TROUBLESHOOTING

My hood is operating, but the air is moving slower than normal.

Check the filter for buildup and clean or replace it if needed. If the difficulty persists, check for obstructions in the ductwork. A common obstruction is buildup in the roof or wall cap, such as: bird nests or other debris.

What is make-up air?

When the range hood ventilates the air out of the room, the air vented must be replaced, this is called make-up air. We do not currently provide a make-up air unit. NOTE: Always consult any applicable building codes in your area regarding minimum and maximum air flow rates. Certain states may require additional items such as make-up air for larger CFM range hoods (typically over 300 CFM).

My range hood will not operate.

1. Check that there is power to the range hood. The most common issue is that the circuit breaker is off, or the fuse has blown.
2. Make sure the speed has been selected at the range hood controls.
3. Turn off power to the range hood and check that all the wires are properly connected.

My range hood is making a rattling noise.

This is probably attributed to one of the following:

1. The motor is loose – Turn off the power and remove the filter and check that all screws are secure and tight around the motor.
2. The duct work connection is loose – Turn off the power to the unit and check that the ductwork connection to the pipe is tight. Add duct tape is necessary.

My range hood does not have power.

1. Check electrical connections.
2. Check that all connections to the circuit board are secure.
3. If the problem persists, please contact Forno Technical Support.

My range hood is not pulling.

Was the unit plugged in and was the fan checked before installation?

What distance is the hood mounted above the cook top?

Is the range hood width the correct size for the cook top?

Does the hood have enough BTU output in relationship to either their gas or electric stove cook top?

BTU output per burner/100 - for gas

Wattage output per burner/10 - for electric

Are the baffle filters or mesh filters installed correctly? When were they last cleaned?

Is the ducting clear?

Is the damper opening properly once the hood is turned on?

Is there air coming off the top of the hood?

Is there air coming out of the upper chimney section?

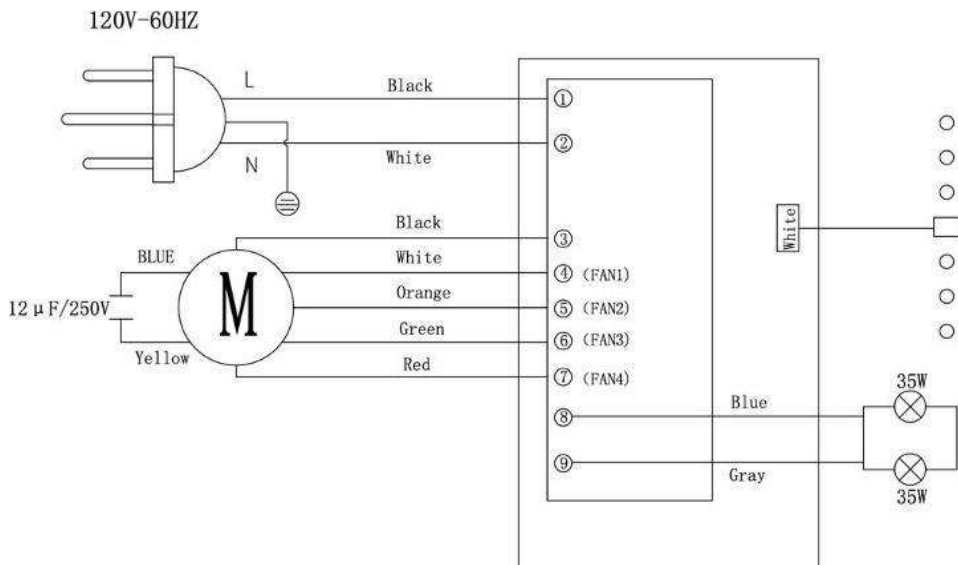
When tissue is placed on the baffle filters under the hood, does it hold the tissue?

How many elbows and how long is the ducting run?

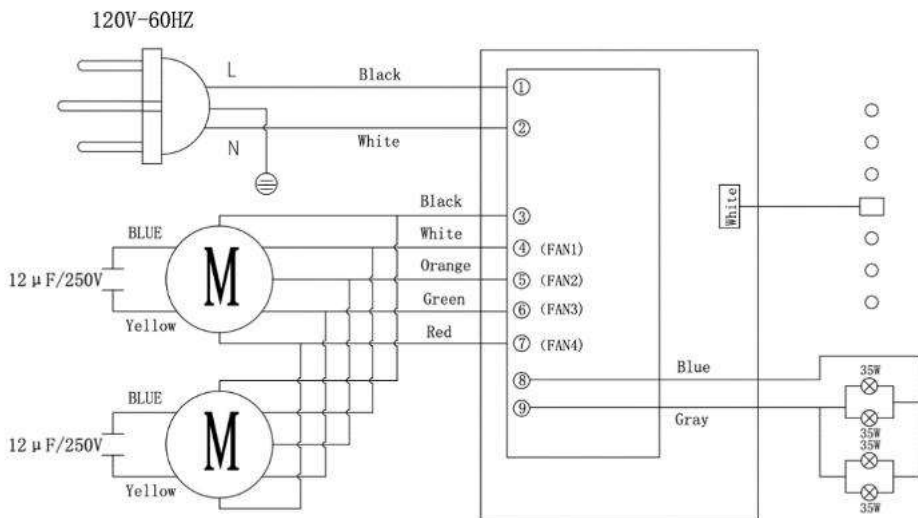
Should be no more than 2-3 elbows, for every elbow subtract 15 feet. (See Duct Run Calculation Section).

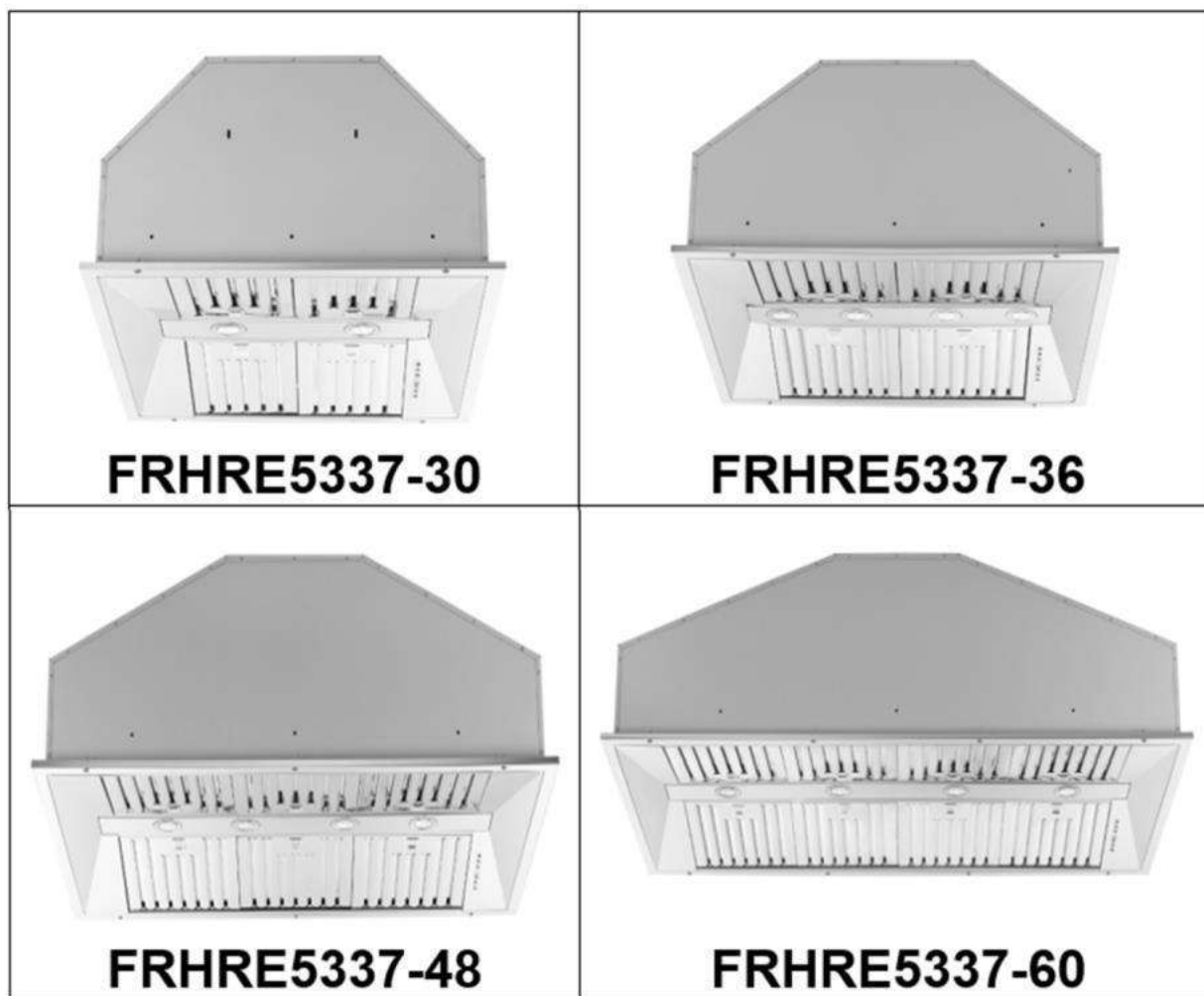
WIRING DIAGRAM

FRHRE5337-30



FRHRE5337-36 FRHRE5337-48 FRHRE5337-60





HOTTE DE CUISINE ENCASTRÉE
NUMÉRO DE MODÈLE SÉRIE
FRHRE5337-30 | FRHRE5337-36 | FRHRE5337-48 | FRHRE5337-60

MANUEL D'INSTRUCTION & GUIDE D'INSTALLATION

Lisez attentivement ces instructions avant d'utiliser votre appareil et conservez-les soigneusement. Si vous suivez les instructions, votre appareil vous donnera satisfaction pendant de nombreuses années.

Service clientèle

Merci d'avoir acheté un produit Frono. Veuillez lire l'intégralité du manuel d'instructions avant d'utiliser votre nouvel appareil pour la première fois. Que vous soyez un utilisateur occasionnel ou un expert, il vous sera utile de vous familiariser avec les pratiques de sécurité, les caractéristiques, le fonctionnement et les recommandations d'entretien de votre appareil.

Le modèle et le numéro de série sont indiqués à l'intérieur du produit. Pour les besoins de la garantie, vous aurez également besoin de la date d'achat.

Informations sur le produit

Numéro de modèle : _____

Numéro de série : _____

Date d'achat : _____

Adresse et numéro de téléphone pour l'achat : _____

Informations sur les services

Utilisez ces numéros dans toute correspondance ou appel de service concernant votre produit.

Si vous avez reçu un produit endommagé, contactez immédiatement Frono.

Pour gagner du temps et de l'argent, consultez le guide de dépannage avant de faire appel à un service d'entretien. Il énumère les causes des problèmes mineurs de fonctionnement que vous pouvez corriger vous-même.



"Besoin d'une aide rapide ? Il suffit de scanner le code qr pour accéder à notre formulaire d'assistance rapide. Nous sommes toujours à votre disposition pour répondre à vos questions ou à vos préoccupations. N'hésitez donc pas à nous contacter !"

Services au Canada et aux États-Unis

Gardez le manuel d'instructions à portée de main pour répondre à vos questions. Si vous ne comprenez pas quelque chose ou si vous avez besoin de plus d'aide, veuillez consulter notre site web pour une assistance rapide. Veuillez nous fournir vos nom, numéro, adresse, numéro de série du produit en panne, la preuve d'achat et une brève description du problème. Un représentant du service clientèle vous contactera dès que possible. Toute intervention sous garantie doit être autorisée par le service clientèle de FORNO. Tous nos prestataires de services agréés sont soigneusement sélectionnés et rigoureusement formés par nos soins.

GARANTIE

Ce que couvre cette garantie limitée :

La couverture de garantie fournie par Forno dans cette déclaration s'applique exclusivement à l'appareil ("Produit") vendu au consommateur ("Acheteur") par un revendeur/distributeur/détaillant agréé Forno, acheté et installé aux États-Unis ou au Canada, et qui est toujours resté dans l'original pays d'achat (États-Unis ou Canada). La couverture de la garantie est activée à la date de l'achat au détail original et a une durée de deux (2) ans.

La couverture de la garantie n'est pas transférable. En cas de remplacement de pièces ou de l'ensemble du produit, le produit (ou les pièces) de remplacement assumera le reste de la garantie d'origine activée avec la preuve d'achat d'origine. Cette garantie ne sera pas prolongée en ce qui concerne un tel remplacement. Forno réparera ou remplacera toute composante/pièce qui tombe en panne ou s'avère défectueuse en raison de matériaux et/ou de fabrication dans les 2 ans suivant la date de l'achat initial au détail et dans des conditions d'habitation ordinaire, usage non commercial. La réparation ou le remplacement sera gratuit, y compris la main-d'œuvre aux tarifs standard et l'expédition dépenses. L'acheteur est responsable de rendre le produit raisonnablement accessible pour le service. Service de réparation doit être effectuée par une société de service agréée Forno pendant les heures normales de travail.

IMPORTANT

Conservez la preuve d'achat originale pour établir la période de garantie. La responsabilité de Forno pour toute réclamation de quelque nature que ce soit, avec en ce qui concerne les biens et/ou services fournis, ne doit en aucun cas dépasser la valeur des biens ou services ou de la partie qui a donné lieu à la réclamation.

Garantie cosmétique de 30 jours

L'Acheteur doit inspecter le produit au moment de la livraison. Forno garantit que le produit est exempté de défauts de fabrication dans les matériaux et la fabrication pendant une période de trente (30) jours à compter de la date de vente au détail d'origine l'achat du Produit.

Cette couverture comprend :

- Taches de peinture
- Écorchures
- Défauts de finition macroscopiques

La garantie cosmétique ne couvre PAS :

Problèmes résultant d'un transport, d'une manipulation et/ou d'une installation incorrecte (par exemple : bosses, cassés, déformés ou structures déformés ou composants, composants en verre fissurés ou autrement endommagés) ;

Légères variations de couleur sur les composants peints/émaillés ;

Les différences causées par l'éclairage naturel ou artificiel, l'emplacement ou d'autres facteurs analogues ;

Taches/corrosion/décoloration causées par des substances externes et/ou des facteurs environnementaux ;

Coûts de main-d'œuvre, présentoir, plancher, stock B, appareils prêts à l'emploi, « tels quels » et unités de démonstration.

Comment recevoir le service

Pour bénéficier des services de garantie, l'acheteur doit contacter le service d'assistance de Forno afin de déterminer le problème et les procédures de service requises. Le « Troubleshooting » avec un représentant du service à la clientèle sera nécessaire avant d'aller de l'avant avec le service. Numéro de modèle, numéro de série et date de vente au détail d'origine l'achat sera demandé.

Exclusions de garantie : Ce qui n'est pas couvert

- > L'utilisation du produit dans tout lieu non résidentiel, application commerciale. Utilisation du Produit pour autre chose que son but visé.
- > Services de réparation fournis par toute personne autre qu'un Agence de service autorisée Forno.
- > Services de dommages ou de réparation pour corriger les services fournis par des parties non autorisées ou l'utilisation de pièces non autorisées.
- > Installation non conforme codes d'incendie locaux/état/ville/comté, codes électriques, gaz codes, codes de plomberie, codes du bâtiment, lois ou règlements.
- > Défauts ou dommages dus à un stockage inapproprié du Produit.
- > Défauts, dommages ou pièces manquantes sur les produits vendus hors de l'emballage d'origine ou des présentoirs. Appels de service ou réparations pour corriger une erreur l'installation du Produit et/ou des accessoires associés.
- > Remplacement des pièces/appels de service pour se connecter, convertir ou autrement réparer le câblage électrique et/ou conduite de gaz afin d'utiliser correctement le produit.
- > Remplacement des pièces/appels de service à fournir instructions et informations sur l'utilisation du Produit.
- > Remplacement des pièces/appels de service pour corriger les problèmes résultant de l'utilisation du produit d'une manière autre que ce qui est normal et habituel pour un usage résidentiel.
- > Remplacement des pièces/appels de service en raison de l'usure et déchirure de composants tels que joints, boutons, casserole supports, étagères, paniers à couverts, boutons, tactiles présentoirs, plateaux en vitrocéramique rayés ou cassés.

- > Remplacement de pièces/appels de service en cas de manque de/mauvais entretien, y compris, mais sans s'y limiter : accumulation de résidus, taches, rayures, décoloration, corrosion.
- > Défauts et dommages résultant d'accidents, altération, mauvaise utilisation, abus ou mauvaise installation.
- > Défauts et dommages résultant du Produit transport, logistique et manutention. Inspection du produit doit être fait au moment de la livraison. Suivant réception et inspection, le concessionnaire vendeur/la livraison l'entreprise doit être informée de tout problème découlant de manutention, transport et logistique.
- > Défauts et dommages résultant de forces externes hors du contrôle de Forno, y compris mais non limité au vent, à la pluie, au sable, aux incendies, aux inondations, aux coulées de boue, des températures glaciales, une humidité excessive ou exposition prolongée à l'humidité, aux surtensions, la foudre, les défaillances structurelles entourant l'appareil et d'autres actes de Dieu.
- > Produits dont le numéro de série a été altéré/endommagé. En aucun cas Forno est tenu responsable des dommages causés à propriété environnante, y compris les meubles, les armoires, revêtements de sol, panneaux et autres structures entourant le Produit. Forno n'est pas tenu responsable des Produits s'il est situé dans une zone éloignée ou une zone où les techniciens formés certifiés ne sont pas raisonnablement disponibles. L'acheteur doit supporter tout transport et les frais de livraison du Produit jusqu'au centre de service autorisé ou les frais de déplacement supplémentaires d'un technicien certifié.

IL N'EXISTE AUCUNE GARANTIE EXPRESSE AUTRE QUE CELLES ÉNUMÉRÉES ET DÉCRITES CI-DESSUS, ET AUCUNE GARANTIES, EXPRESSES OU IMPLICITES, Y COMPRIS, MAIS SANS S'Y LIMITER, TOUTE GARANTIE IMPLICITE GARANTIES DE QUALITÉ MARCHANDE OU D'ADÉQUATION À UN USAGE PARTICULIER QUI S'APPLIQUERONT APRÈS LES PÉRIODES DE GARANTIE EXPRESSE INDIQUÉES CI-DESSUS, ET AUCUNE AUTRE GARANTIE EXPRESSE OU GARANTIE DONNÉE PAR TOUTE PERSONNE, ENTREPRISE OU SOCIÉTÉ CONCERNANT CE PRODUIT SERA OBLIGATOIRE POUR FORNO. FORNO NE SERA PAS RESPONSABLE DE LA PERTE DE REVENUS OU DE PROFITS, DÉFAUT DE RÉALISER DES ÉCONOMIES OU D'AUTRES AVANTAGES, TEMPS D'ABSENCE DU TRAVAIL, REPAS, PERTE DE NOURRITURE OU BOISSONS, FRAIS DE VOYAGE OU D'HOTEL, FRAIS DE LOCATION OU D'ACHAT D'APPAREILS, DÉPENSES DE REMODELAGE/CONSTRUCTION SUPÉRIEURES AUX DOMMAGES DIRECTS INDÉNIABLES CAUSÉ EXCLUSIVEMENT PAR FORNO OU TOUT AUTRE SPÉCIAL, ACCESSOIRE OU CONSÉCUTIF LES DOMMAGES CAUSÉS PAR L'UTILISATION, LA MAUVAISE UTILISATION OU L'INCAPACITÉ D'UTILISER CE PRODUIT, INDÉPENDAMMENT DU THÉORIE JURIDIQUE SUR LAQUELLE LA RÉCLAMATION EST BASÉE, ET MÊME SI FORNO A ÉTÉ AVISÉ DE LA POSSIBILITÉ DE TELS DOMMAGES. DE PLUS, LA RÉCUPÉRATION DE QUELQUE NATURE QUE CE SOIT CONTRE FORNO NE SERA PLUS GRANDE D'UN MONTANT QUE LE PRIX D'ACHAT DU PRODUIT VENDU PAR FORNO ET CAUSANT LE DOMMAGES ALLÉGUÉS. SANS PRÉJUDICE DE CE QUI PRÉCÈDE, L'ACHETEUR ASSUME TOUS LES RISQUES ET RESPONSABILITÉ POUR PERTE, DOMMAGE OU BLESSURE À L'ACHETEUR ET À LA PROPRIÉTÉ DE L'ACHETEUR ET À AUTRES ET LEURS PROPRIÉTÉS DÉCOULANT DE L'UTILISATION, DE LA MAUVAISE UTILISATION OU DE L'INCAPACITÉ À UTILISER CE PRODUIT VENDU PAR FORNO QUI N'EST PAS LE RÉSULTAT DIRECT D'UNE NÉGLIGENCE DE LA PART DE FORNO LA GARANTIE LIMITÉE NE S'ÉTENDRA À PERSONNE AUTRE QUE L'ACHETEUR INITIAL DE CE PRODUIT N'EST PAS TRANSFÉRABLE ET ÉNONCE VOTRE RECOURS EXCLUSIF.

CONSIGNES DE SÉCURITÉ



Ces symboles sont des symboles d'alerte de sécurité. Ces symboles vous alertent des dangers

potentiels qui peuvent vous blesser, vous et d'autres personnes. Tous les messages de sécurité suivront les symboles d'alerte de sécurité.

LISEZ TOUTES LES INSTRUCTIONS AVANT D'INSTALLER ET D'UTILISER CET APPAREIL.

- Les instructions d'installation de ce manuel sont destinées aux installateurs qualifiés, aux techniciens de service ou aux personnes ayant des antécédents qualifiés similaires. L'installation et le câblage électrique doivent être effectués par des professionnels qualifiés et conformément à tous les codes et normes applicables, y compris la construction de première qualification. N'ESSAYEZ PAS d'installer cette unité vous-même. L'installation de l'unité pourrait entraîner des blessures en raison du manque de connaissances électriques et techniques appropriées. En raison de la taille et du poids de cette hotte, l'installation à deux personnes est recommandée.
- La hotte peut avoir des bords très tranchants ; veuillez porter des gants de protection s'il est nécessaire d'enlever des pièces pour l'installation, le nettoyage ou l'entretien.
- L'activation de tout interrupteur en marche avant la fin de l'installation peut provoquer une inflammation ou une explosion.

POUR RÉDUIRE LE RISQUE D'INCENDIE, DE CHOC ÉLECTRIQUE OU DE BLESSURE POUR LES PERSONNES,

VEUILLEZ OBSERVER CE QUI SUIT :

- Votre sécurité et celles des autres sont très importantes. Nous avons fourni de nombreux messages de sécurité importants dans ce manuel et sur votre appareil. Toujours lire et respecter tous les messages de sécurité. Tous les messages de sécurité vous indiqueront quel est le danger potentiel, vous diront comment réduire le risque de blessure et vous diront ce qui peut arriver si les instructions ne sont pas suivies.
- Tout le câblage électrique doit être correctement installé, isolé et mis à la terre.
- Les vieux conduits doivent être nettoyés ou remplacés, si nécessaire, pour éviter la possibilité d'un feu de graisse. Vérifiez tous les joints sur les conduits pour assurer une connexion appropriée, tous les joints doivent être correctement attachés.
- Lorsque la hotte de cuisinière ventile l'air hors de la pièce, l'air évacué doit être remplacé, c'est ce qu'on appelle l'air de compensation. Si un système d'air de compensation est nécessaire, mais non utilisé, une hotte peut ne pas fonctionner comme prévu en raison de la pression d'air négative. À l'heure actuelle, nous ne fournissons pas d'unité d'air de compensation. Consultez toujours les codes du bâtiment applicables dans votre région concernant les débits d'air minimaux et maximaux. Certains États/Provinces peuvent exiger des articles supplémentaires tels que de l'air de compensation pour les hottes avec un niveau de PCM plus grand (généralement plus de 300 PCM).
- Pour réduire le risque d'incendie et disperser l'air correctement, assurez-vous d'évacuer l'air à l'extérieur. NE PAS ventiler l'air dans les espaces entre les murs, les vides sanitaires, les plafonds, les greniers ou les garages.
- Pour l'utilisation de ventilation résidentielle seulement. NE PAS utiliser pour évacuer des matières et des vapeurs

dangereuses ou explosives. Le débit d'air de combustion nécessaire au fonctionnement sécuritaire de l'équipement à combustion peut être affecté par le fonctionnement de cet appareil. Suivez les directives et les normes de sécurité du fabricant d'équipement de chauffage telles que celles publiées par la National Fire Protection Association (NFPA), l'American Society of Heating, Refrigeration and Air Conditioning Engineers (ASHRAE) et les autorités locales du code. Il faut suffisamment d'air pour une combustion et un évacuation adéquats des gaz à travers le conduit afin d'empêcher le tirant d'eau arrière.

- Les hottes canalisées DOIVENT TOUJOURS être ventilées à l'extérieur. Toutes nos hottes sont livrées avec une pièce de transition avec un amortisseur intégré. Certaines installations existantes peuvent déjà avoir un amortisseur externe. Veuillez consulter un professionnel du CVC ou de l'installation pour obtenir des conseils sur la conformité aux réglementations locales.
- Gardez tous les ventilateurs, les déflecteurs, les espaces, le filtre, le tunnel de graisse, le récipient d'huile et les surfaces chargées de graisse propres. La graisse ne doit pas s'accumuler sur le ventilateur, le déflecteur, les espaces, le filtre, le tunnel de graisse ou le récipient d'huile. Nettoyez fréquemment les surfaces chargées de graisse.
- Cet appareil est conçu pour être utilisé par des adultes. Les enfants ne sont pas autorisés à tempérer avec les commandes ou à jouer avec cet appareil.
- Pour réduire le risque d'incendie ou de choc électrique, n'utilisez pas ce ventilateur avec un dispositif de contrôle de la vitesse à semi-conducteurs.
- Lorsque vous coupez ou percez dans un mur ou un plafond, n'endommagez pas le câblage électrique et d'autres services publics cachés.
- Avant l'entretien ou le nettoyage de l'unité, éteignez l'alimentation du panneau de service et verrouillez le panneau de service pour éviter que l'alimentation ne s'allume accidentellement.
- Utilisez cet appareil uniquement de la manière prévue par le fabricant. Si vous avez des questions, contactez le FORNO.

POUR RÉDUIRE LE RISQUE DE BLESSURES POUR LES PERSONNES EN CAS D'INCENDIE DE GRAISSE SUR LE DESSUS D'UN POÊLE :

- Toutes les hottes FORNO sont répertoriées ETL, garantissant que toutes les pièces ont été testées pour leur sécurité et répondent aux normes et réglementations de l'industrie. REMARQUE : Cela permet de s'assurer que toutes les pièces de conduits métalliques incluses ont été testées pour leur sécurité et sont ignifuges.
- Activez toujours la hotte lorsque vous cuisinez à feu vif ou lorsque vous faites cuire des aliments enflammés (Crêpes Suzette, Cerises Jubilee, Peppercorn Beef Flambe). Ne laissez jamais les brûleurs de surface sans surveillance à des réglages élevés. Les vapeurs d'ébullition causent de la fumée et les déversements graisseux peuvent s'enflammer. Chauffer les huiles lentement sur des réglages faibles ou moyens.
- Nettoyez fréquemment la hotte. La graisse ne doit pas s'accumuler sur le ventilateur ou le filtre.
- Utilisez la taille appropriée de la casserole. Utilisez toujours des ustensiles de cuisine appropriés à la taille de l'élément de surface.

INSTALLATION ET UTILISATION

NOTE 1 : Sur les hottes en acier inoxydable, retirez soigneusement le film protecteur en plastique (le cas échéant) de toutes les surfaces extérieures de la hotte et de la cheminée avant l'installation finale.

NOTE 2 : Au moins deux personnes devront installer la hotte.

DESCRIPTION / CONNEXION

Cette hotte doit être montée directement sur le cadre de support, où le conduit d'aération du cadre de support doit être fixé à la solive ou à la charpente du plafond.

- Les conduits peuvent être installés verticalement ou horizontalement.
- Les passages de conduits doivent être aussi courts que possible.
- Évitez l'utilisation des coudes.
- Utilisez du ruban adhésif conçu pour le scellage des conduits d'aération pour tous les joints.
- N'utilisez pas de conduit plus petit que la décharge sur le capot.

Connexion électrique

- Le câblage électrique doit être effectué par une ou plusieurs personnes qualifiées conformément à tous les codes et normes applicables. **Coupez l'alimentation électrique à l'entrée de service avant le câblage.**
- Si le cordon d'alimentation est endommagé, il doit être remplacé par le fabricant, son agent de service ou des personnes ayant des qualifications similaires pour éviter un danger.
- N'utilisez pas un cordon d'alimentation et/ou une rallonge autre que celles initialement fournies avec la hotte.
- La mise à la terre de cette hotte est obligatoire. Vous ne devez en aucun cas retirer la broche de mise à la terre de la fiche.

PRÉPARATION À L'INSTALLATION

- S'il vous plaît brancher l'unité et vérifier que toutes les fonctions fonctionnent

OUTILS ET MATÉRIELS REQUIS (*Non fournis)



Crayon et ruban à mesurer



Ruban adhésif



Coupe-fil/Pince à dénuder



Clé à molette



Marteau



Scie



Niveau



Lunettes protectrices



Échelle/escabeau



Perceuse électrique ou à batterie avec des mèches de 1/8po et 3/8po



Capuchons de connexion



Conduit métallique rond de 10po avec une longueur adaptée à l'installation



Pinces



Ciseau à tôle



Scie sauteuse



Lampe de poche



Tourne vis



Serre-câble pour joints



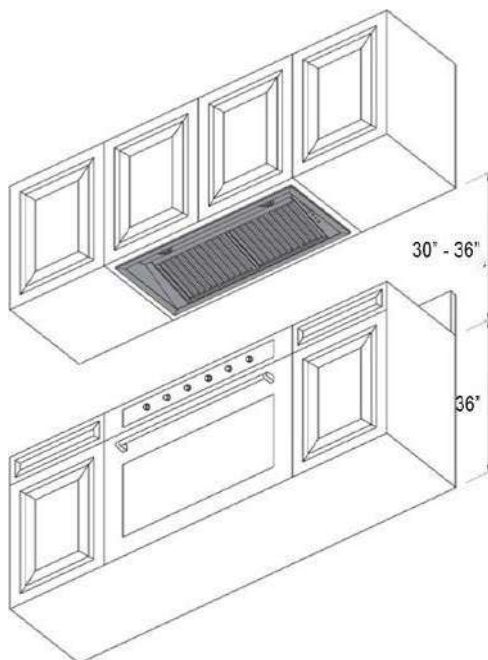
120V 60Hz, 15 ou 20 AMP, 2 fils avec mise à terre
Circuit dédié correctement mis à la terre

HAUTEURS DE MONT ET DÉGAGEMENT

La hauteur de montage minimale entre le haut de gamme et le bas du capot ne doit pas être inférieure à 30po.

La hauteur maximale optimale doit être de 36 « au-dessus de la table de cuisson (veuillez noter que l'unité de 36po, 48po et 60po peut être installée jusqu'à 42po au-dessus de la table de cuisson, mais cela peut entraîner une perte d'efficacité)

Il est important d'installer la hotte à la bonne hauteur. Les hottes montées trop bas pourraient entraîner des dommages causés par la chaleur et un risque d'incendie ; tandis que les hottes montées trop haut seront difficiles à atteindre et prndront leurs performances et leur efficacité.



Conduits (non fournis)

NE JAMAIS évacuer l'air ou terminer les travaux de conduits dans les espaces entre les murs, les vides sanitaires, le

Plafond, les greniers ou les garages. Toute la ventilation doit être conduit vers l'extérieur.

Utilisez uniquement des conduits métalliques.

Fixez toutes les connexions avec des vis en tôle et collez tous les joints avec du ruban d'argent certifié ou du ruban adhésif.

Calcul de l'exécution de conduits :

Débit maximal de 6po ou 3-1/4 x 10po conduit	100 PIEDS
Déduire :	
Chaque 90° Coude utilisé	15FT
Chaque 45° Coude utilisé	9FT
Chaque 6po à 3-1/4 x 10po transition utilisée	1FT
Chaque 3-1/4 x 10po à 6po transition utilisée	5FT
Capuchon de paroi latérale avec amortisseur	30 PIEDS
Capuchon de toit	30 PIEDS

TAILLE DES CONDUITS

Un conduit rond d'au moins \varnothing 6" pour 30" & 10" pour 36", 48" et 60" doit être utilisé pour maintenir une efficacité maximale du débit d'air.

Les conduits flexibles sont fournis pour plus de commodité, utilisez toujours des conduits métalliques de type rigide maximiser le flux d'air.

Utilisez également le calcul (à gauche) pour calculer le nombre total de conduits disponibles lors de l'utilisation des coudes, des transitions et des bouchons.

TOUJOURS, lorsque cela est possible, réduisez le nombre de transitions et de virages. Si nécessaire, un long conduit augmente la taille des conduits de 6" à 8" (30") et de 10" à 12" (36", 48" et 60").

Si un réducteur est utilisé, installez un réducteur long au lieu du réducteur de crêpes. Réduisez la taille des conduits aussi loin que possible de l'ouverture.

Si des tournants ou des transitions sont nécessaires : Installez-la aussi loin que possible de l'ouverture et aussi loin l'une de l'autre, entre 2.

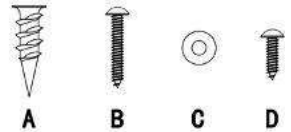
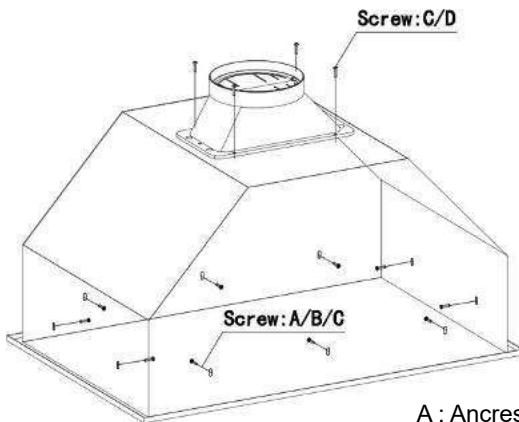
Par exemple – 1 capuchon de toit, coudes 2x90, coude 1x45 =

30' + 30' + 9' = 69' utilisé, 31' disponible pour les conduits droits

PRÉPARER L'INSTALLATION

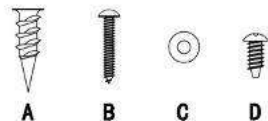
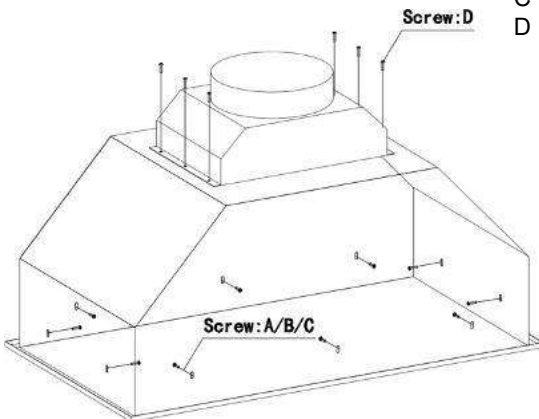
Veillez déballer votre hotte de cuisinière lorsqu'elle est livrée et inspecter pour vous assurer que toutes les pièces sont incluses.

1. Corps de hotte avec lumières et bouton préinstallés
2. Adaptateur de sortie d'air ($\phi 6''$ pour 30", $\phi 10''$ pour 36", 48" et 60")
3. Conduit (1,5 m de long, $\phi 6''$ pour 30", $\phi 10''$ pour 36", 48" et 60")
4. Filtres à chicanes (4x pour 30", 36". 6x pour 48", 8x pour 60")
5. Vis et ancrés
6. Bac à graisse
7. Manuel d'instruction



FRHRE5337-30

- A : Ancrés à expansion en nylon $\phi 13 \times 42$ mm
B : Vis autotaraudeuses circulaires en croix M4x35 mm
C : Rondelle $\phi 5$ mm
D : Vis à triangle rond M4x12 mm en croix



FRHRE5337-36, FRHRE5337-48, FRHRE5337-60

■ Disposer le système de conduit de ventilation avant d'installer la hotte pour déterminer le meilleur itinéraire pour le conduit de ventilation.

■ Il est recommandé d'installer le système de ventilation avant d'installer la hotte de cuisinière.

■ La hotte doit être installée à au moins 30" des surfaces de cuisson.

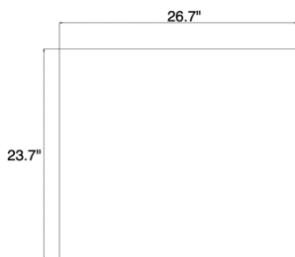
■ Au moins deux personnes seront nécessaires pour monter la hotte.

■ La hotte de cuisinière est très lourde et doit être installée dans des structures de support. (La structure de support n'est pas incluse avec la hotte de cuisinière, veuillez-vous assurer de la préparer)

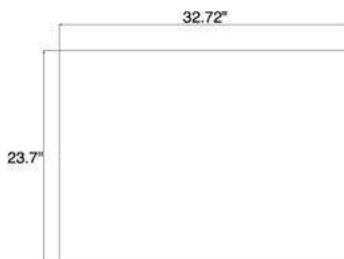
REMARQUE : L'emplacement des trous de montage doit être dans une structure de support capable de supporter 88 lb (40 kg).

INSTALLATION DE LA HOTTE

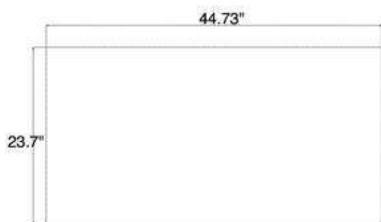
1. Mesurer et couper l'ouverture au bas de l'armoire selon les dimensions indiquées ci-dessous.



FRHRE5337-30: 26.7"X23.7"



FRHRE5337-36: 32.72"X23.7"



FRHRE5337-48: 44.73"X23.7"

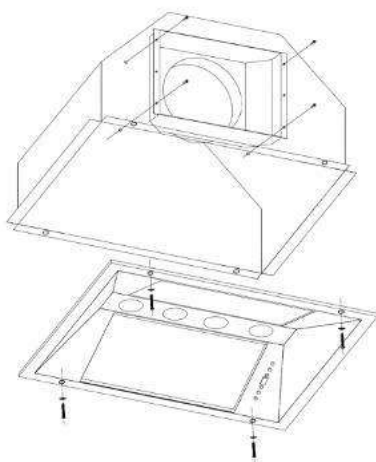


FRHRE5337-60: 56.74"X23.7"

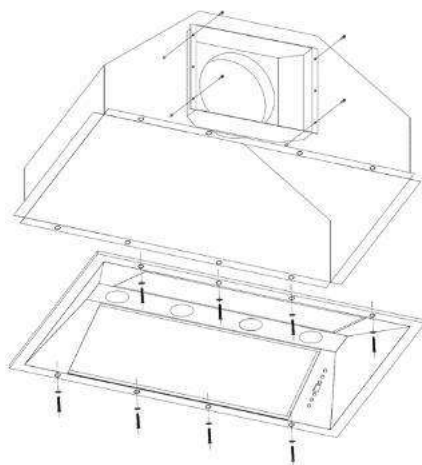
NOTE : L'adaptateur de sortie d'air sur le FRHRE5337-30 est pré-installé sur l'unité.

Pour installer correctement la hotte de cuisinière, il est nécessaire de retirer l'adaptateur de sortie d'air des modèles FRHRE5337-36, FRHRE5337-48 et FRHRE5337-60. Veuillez suivre les étapes ci-dessous :

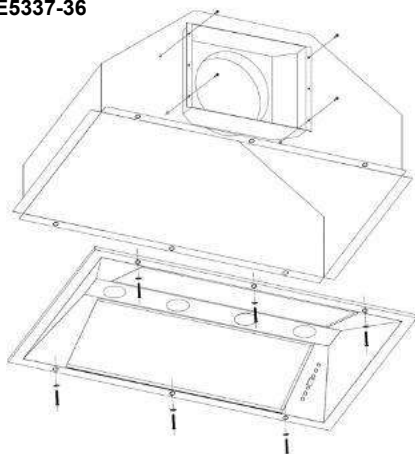
- Commencez par retirer la plaque frontale du corps de la hotte de cuisinière. Pour le modèle de 36", retirez les 4 vis qui fixent la plaque frontale. Dans le cas du modèle de 48", retirez les 6 vis, et pour le modèle de 60", retirez les 8 vis.
- Localisez l'adaptateur de sortie d'air à l'intérieur du corps de la hotte de cuisinière. Il est fixé en place par quatre vis.
- Retirez soigneusement les quatre vis qui fixent l'adaptateur de sortie d'air.



FRHRE5337-36



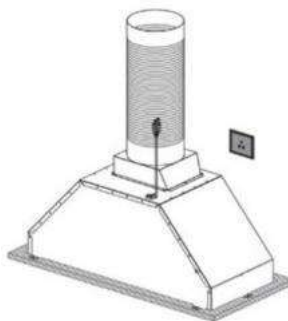
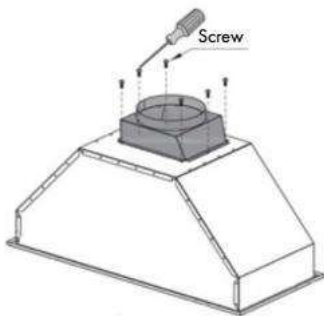
FRFRHRE5337-48



FRHRE5337-60

En suivant ces étapes, vous retirerez avec succès l'adaptateur de sortie d'air du corps de la hotte de cuisinière, permettant une installation correcte.

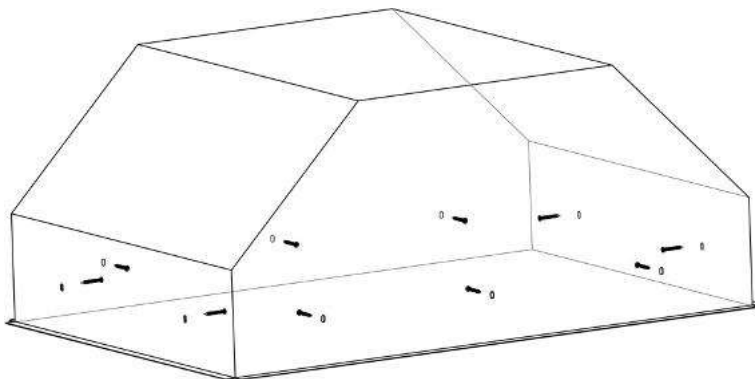
- Fixer l'adaptateur de sortie d'air sur la hotte à l'aide de vis ($\varnothing 6''$ pour 30'', $\varnothing 10''$ pour 36'', 48'' et 60''). **Note : Cette étape devrait déjà être effectuée pour les modèles de 36'', 48'' et 60'' (voir étape 2).**
- Fixer le conduit connecté à l'adaptateur de sortie d'air en utilisant du ruban adhésif pour sceller les joints.



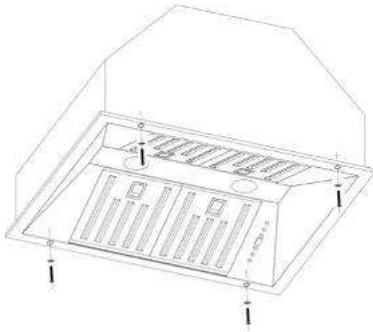
- Desserrer les vis entre le corps de la hotte et la plaque frontale. (4 vis pour 30'' et 36'', 6 vis pour 48'', 8 vis pour 60'')
- Soulever le corps de la hotte de cuisinière et l'insérer dans l'armoire, fixer la hotte de cuisinière aux structures de support (3 vis à l'avant et à l'arrière, 2 vis à gauche et à droite), ajuster le niveau de la hotte de cuisinière, puis serrer toutes les vis.

REMARQUE : La hotte de cuisinière est très lourde, veuillez-vous assurer que les structures de support sont capables de supporter le poids de la hotte en 88 lb (40 kg).

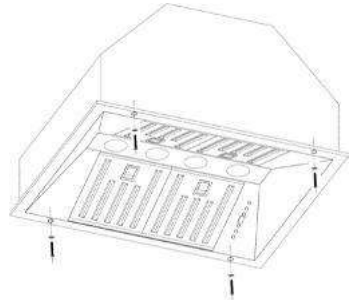
Les trous de montage dans la hotte de cuisinière se trouvent à 2,35'' du bas de la hotte de cuisinière, veuillez installer les structures de support au bon endroit.



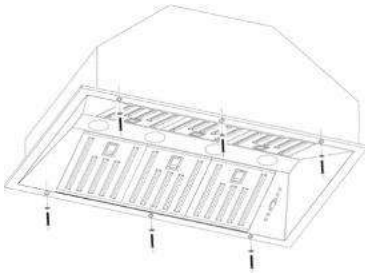
- Fixer la plaque frontale au corps de la hotte de cuisinière à l'aide de vis (4 vis pour 30'' et 36'', 6 vis pour 48'', 8 vis pour 60''). Installer le filtre à chicanes sur la hotte de cuisinière.



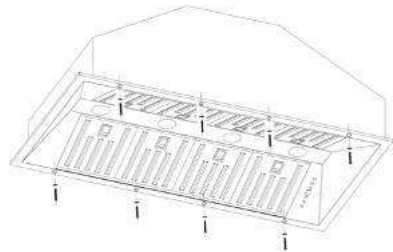
FRHRE5337-30 : 4 vis.



FRHRE5337-36 : 4 vis



FRHRE5337-48 : 6 vis



FRHRE5337-60 : 8 vis

OPERATIONS



K1

K2

K3

DEL

K4

K5

K6

K1 : bouton d'alimentation/bouton de retard de mise hors tension

Lorsque la hotte est éteinte, appuyez sur ce bouton pour allumer la hotte, appuyez sur K2 K3 K4 K5 pour régler la vitesse du moteur.

Lorsque la hotte est allumée, appuyez sur ce bouton pour choisir la fonction de délai de mise hors tension, la minuterie est de 3 minutes, la hotte s'éteint automatiquement lorsque le temps d'écoute est levé.

K2 : Première vitesse

K3 : Deuxième vitesse

K4 : Troisième vitesse K5 : Quatrième vitesse

K6 : Bouton d'éclairage. Allumez et éteignez la lumière

ENTRETIEN ET NETTOYAGE

Entretien de la surface :

Nettoyez périodiquement avec de l'eau chaude savonneuse et un chiffon de coton propre. N'utilisez pas de détergent corrosif ou abrasif (p. ex. gommage en poudre de comète, nettoyant pour four EZ-Off) ou de laine d'acier ou de tampons de notation qui rayent et endommagent la surface.

Pour les saletés plus tenaces, utilisez un dégraissant liquide tel que le nettoyant de marque « Formula 409 » ou « Fantastic ».

Après le nettoyage, vous pouvez utiliser des vernis / nettoyants en acier inoxydable non abrasifs tels que 3M ou ZEP, pour polir et polir le lustre et le grain en acier inoxydable. Frottez toujours légèrement, avec un chiffon de coton propre et avec le grain de l'acier inoxydable.

Filtres :

Les filtres installés par l'usine sont destinés à filtrer les résidus et la graisse de la cuisson. Ils n'ont pas besoin d'être remplacés sur une base régulière, mais sont tenus d'être maintenus propres.

Les filtres doivent être nettoyés toutes les 30 heures d'utilisation.

Retirer et nettoyer à la main dans un bassin d'eau chaude savonneuse. Le filtre est également nettoyable au lave-vaisselle.

S'il est fortement souillé, vaporisez du détergent à dégraissage « Formula 409 » ou un dégraissant équivalent et laissez tremper.

Séchez les filtres et réinstallez-les avant d'utiliser la hotte.

Nettoyage de la hotte

La saturation des résidus gras dans le ventilateur et les filtres peut entraîner une augmentation de l'inflammabilité. Gardez toujours l'unité propre et exempte de graisse et d'accumulation de résidus pour prévenir d'éventuels incendies.

Les filtres doivent être nettoyés périodiquement et ne doivent pas avoir d'accumulation de résidus de cuisson (voir les instructions de nettoyage à l'intérieur). Les filtres anciens et usés doivent être remplacés immédiatement. N'utilisez pas de ventilateurs lorsque les filtres sont retirés. Ne démontez jamais les pièces pour les nettoyer sans instructions appropriées. Il est recommandé d'effectuer le démontage uniquement par du personnel qualifié. Contactez notre centre de service pour obtenir des instructions de suppression.

L'acier inoxydable est l'un des matériaux les plus faciles à garder propre. La maintenance occasionnelle aidera à préserver son apparence fine.

Conseils de nettoyage :

L'eau chaude avec du savon ou du détergent est tout ce qui est généralement nécessaire. Rincer à l'eau claire. Essayez avec un chiffon propre et doux pour éviter les marques d'eau.

Pour les décolorations ou les résidus qui persistent, utilisez un nettoyant ménager non grattant ou une

poudre de polissage en acier inoxydable avec un peu d'eau et un chiffon doux.

Pour les taches tenaces, utilisez un tampon à récurer en plastique ou une brosse à poils doux avec un nettoyant et de l'eau. Frottez légèrement dans le sens des lignes de polissage ou du « grain » de la finition en acier inoxydable. Évitez d'utiliser trop de pression qui pourrait gâcher la surface.

Ne laissez pas les dépôts rester pendant de longues périodes.

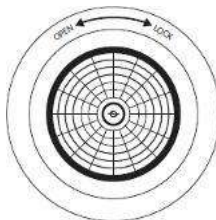
N'utilisez pas de laine d'acier ou de brosses en acier. De petits morceaux d'acier peuvent adhérer à la surface, causant de la rouille.

Ne laissez pas les solutions salines, les désinfectants, les agents de blanchiment ou les produits de nettoyage rester en contact avec l'acier inoxydable pendant de longues périodes. Beaucoup de leurs composants contiennent des produits chimiques qui peuvent être nocifs. Rincer à l'eau après l'exposition et essuyer avec un chiffon propre.

Les surfaces peintes doivent être nettoyées avec de l'eau tiède et du détergent doux uniquement.

AMPOULES

AVERTISSEMENT : Veuillez-vous assurer que les lumières ont été éteintes pendant un certain temps et que la source d'alimentation a été déconnectée avant de remplacer les ampoules. Veuillez noter que la lumière retiendra la chaleur pendant une courte période après avoir été éteinte.



Étape 1 : Tournez dans le sens inverse des aiguilles d'une montre pour ouvrir

Étape 2 : Sortez le globe existant

Étape 3 : Insérez un nouveau globe (raccord GU10) et tournez dans le sens des aiguilles d'une montre en position de verrouillage.

DÉPANNAGE

Ma hotte fonctionne, mais l'air se déplace plus lentement que d'habitude.

Vérifiez l'accumulation du filtre et nettoyez-le ou remplacez-le si nécessaire. Si la difficulté persiste, vérifiez si obstructions dans les conduits. Une obstruction commune est l'accumulation dans le toit ou le capuchon mural, comme : nids d'oiseaux ou d'autres débris.

Qu'est-ce que l'air de compensation ?

Lorsque la hotte de cuisinière ventile l'air hors de la pièce, l'air évacué doit être remplacé, c'est ce qu'on appelle de l'air d'appoint. À l'heure actuelle, nous ne fournissons pas d'unité d'air d'appoint.

REMARQUE : Consultez toujours tout ce qui s'applique les codes du bâtiment dans votre région concernant les débits d'air minimaux et maximaux. Certains États/Provinces peuvent nécessiter des articles supplémentaires tels que de l'air de compensation pour les hottes avec des PCM plus élevées (généralement plus de 300 PCM).

Ma hotte ne fonctionnera pas.

1. Vérifiez qu'il y a de l'énergie à la hotte de gamme. Le problème le plus courant est que le disjoncteur est éteint ou que le fusible a soufflé.
2. Assurez-vous que la vitesse a été sélectionnée aux commandes de la hotte.
3. Coupez l'alimentation de la hotte et vérifiez que tous les fils sont correctement connectés.

Ma hotte fait un bruit de cliquetis.

Ceci est probablement attribué à l'un des éléments suivants :

1. Le moteur est desserré - Éteignez l'alimentation et retirez le filtre et vérifiez que toutes les vis sont bien fixées et serrées autour du moteur.
2. La connexion de conduits est desserré - Éteignez l'alimentation de l'unité et vérifiez que la connexion de conduits au tuyau est étanche. Vérifier s'il est nécessaire d'ajouter du ruban adhésif.

Ma hotte n'a pas de puissance.

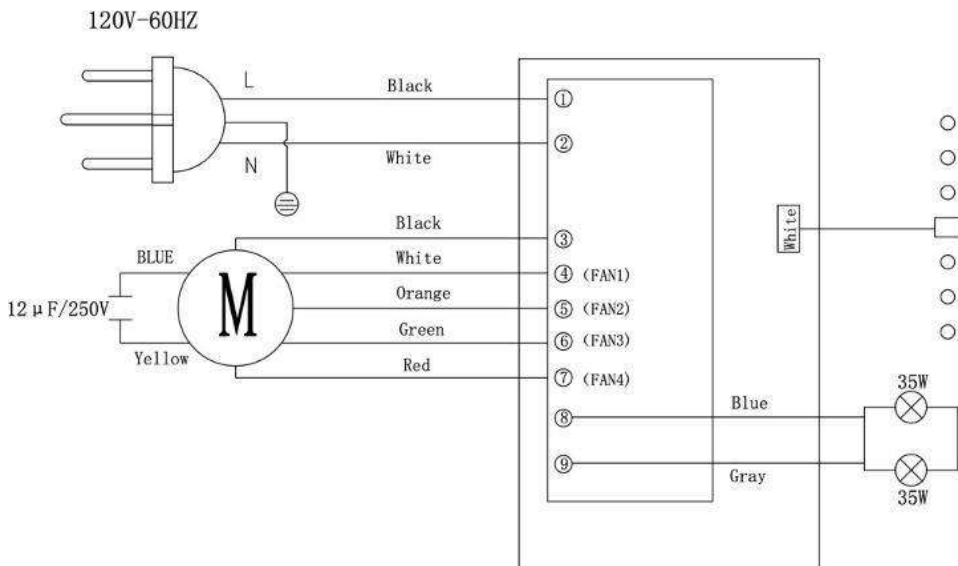
1. Vérifiez les connexions électriques.
2. Vérifiez que toutes les connexions à la carte de circuit sont sécurisées.
3. Si le problème persiste, veuillez contacter le support technique Forno.

Ma hotte ne tire pas d'air.

- L'unité a-t-elle été branchée et le ventilateur a-t-il été vérifié avant l'installation ?
- À quelle distance la hotte est-elle montée au-dessus de la cuisinière ?
- La largeur de la hotte est-elle la taille correcte pour le dessus de la cuisinière ?
- La hotte a-t-elle suffisamment de PCM par rapport à sa cuisinière au gaz ou à la cuisinière électrique ?
- Sortie de BTU par brûleur/100 - pour le gaz
- Puissance de sortie par brûleur/10 - pour électrique

SCHÉMA ÉLECTRIQUE

FRHRE5337-30



FRHRE5337-36 FRHRE5337-48 FRHRE5337-60

