

DGC 7885

30" Combi-Steam Oven XXL with DirectWater plus

for steam cooking, baking, roasting with roast probe + menu cooking.



EAN: 4002516487883 / Material number: 11876310 /
Old Material Number: 23788543USA

- Large touch display with proximity sensor – M Touch + MotionReact
- Perfect results – DualSteam technology
- Crispy on the outside, succulent on the inside – Combi-Steam
- Miele@home – network-enabled WiFi appliance + Miele Mix & Match
- Easy cleaning – PerfectClean stainless steel oven compartment

General information	
Model identifier	DGC 7885
Manufacturer material number	11876310
EAN number	4002516487883
Marketing class	Diamond
Construction type and design	
PureLine	•
Appliance type and design	
Combination steam oven	•
Appliance colour	Clean Touch Steel
Convenience features	
Rapid PreHeat	•
Preheating	•
External steam generation	•
Climate sensor	•
Individual humidity settings in combination cooking	•
Menu cooking without transfer of taste	•
Miele Mix & Match	•
Roast probe	wired
Automatic programs with individual setting of the cooking result	•
Keep-warm function	•
Crisp Function	•
Operating modes	
Convection	•
Convection Roast	•
Surround	•
Steam cooking	•
Combi-Steam	•
Combi cooking	•
Combi-Steam with Convection Bake	•
Combi-Steam with Surround	•
Combi-Steam with Maxi Broil	•
Sous-vide	•
Intensive	•
Convection Broil	•
Maxi Broil	•
Broil	•
Broiling operating modes	•
Browning	•
Bake	•
Humidity Plus	•
Defrost	•
Roast with moisture	•
Reheating	•
Warm-up cookware	•
Automatic programs	•
Country-specific automatic programs	•

DGC 7885

30" Combi-Steam Oven XXL with DirectWater plus

for steam cooking, baking, roasting with roast probe + menu cooking.



EAN: 4002516487883 / Material number: 11876310 /

Old Material Number: 23788543USA

Special Modes	•
User convenience	
Networking with Miele@home	•
Display	M Touch
Clear text on control panel	•
MotionReact proximity sensor	•
SoftOpen	•
SoftClose	•
MultiLingua	•
MyMiele	•
Show me how	•
Motorized lift-up control panel with SoftClose	•
Quantity-independent cooking	•
Steam cooking on up to 4 levels at the same time	•
Automatic menu cooking	•
Steam reduction before end of programme	•
Polyphonic acoustic signals	•
Timers	•
Time of day display	•
Date display	•
Minute minder	•
Programming start of cooking duration	•
Programming end of cooking duration	•
Programmable cooking time	•
Actual temperature display	•
Desired temperature display	•
Audible signal when desired temperature is reached	•
Default temperature	•
Favorites	•
Sabbath program	•
Individual settings	•
Cleaning convenience	
Clean Touch Steel surface	•
Stainless steel oven compartment with linen-weave pattern and PerfectClean finish	•
Foldable broil heater element	•
External steam generator	•
Floor heater element for condensate reduction	•
Maintenance programs	•
Soak program	•
Rinse program	•
Cavity drying program	•
Quick-release side racks	•
Removable side racks	•
Descaling	•
CleanGlass door	•
Steam technology/water supply	
DualSteam	•
DirectWater plus	•

DGC 7885

30" Combi-Steam Oven XXL with DirectWater plus

for steam cooking, baking, roasting with roast probe + menu cooking.

EAN: 4002516487883 / Material number: 11876310 /

Old Material Number: 23788543USA

DirectWater	No
Drain filter	•
Safety	
Cooling system with cool touch front	•
Appliance cooling system and cool touch front	•
Safety shut-off	•
Safety cut-out	•
System lock	•
Vapor cooling system	•
Sensor lock	•
Technical data	
Cavity volume in cu.ft (l)	2.4 (68.0)
No. of rack levels	4
Labeling of rack levels	•
Door hinge side	Bottom
Oven interior lighting	BrilliantLight
Plug type	NEMA plug: 6-20
Oven mode temperatures in °F (°C)	85-450 °F (30-230 °C)
Niche dimensions (W x H x D) in inches (mm)	28 1/2 (724)-724 x 610-615 x 610
Niche dimensions (W x H x D) in inches (mm)	28 1/2 (724)-28 1/2 (724) x 24 (610)-24 1/4 (615) x 24 (610)
Niche width min. in inches (mm)	28 1/2 (724)
Niche width max. in inches (mm)	28 1/2 (724)
Niche width max. in inches (mm)	724
Niche height min. in inches (mm)	24 (610)
Niche height min. in inches (mm)	610
Niche height max. in inches (mm)	24 1/4 (615)
Niche height max. in inches (mm)	615
Niche depth in in. (mm)	610
Niche depth in in. (mm)	24 (610)
Appliance dimensions (W x H x D) in inches (mm)	29 3/4 (757) x 24 3/8 (620) x 22 1/2 (573)
Appliance dimensions (W x H x D) in inches (mm)	29 7/8 (757) x 24 1/2 (620) x 22 5/8 (573)
Weight in lbs. (kg)	111 (50.1)
Weight in lbs. (kg)	110.45 (50.1)
Weight in lbs. (kg)	111 (50.1)
Total connected load in kW	2.80-3.70
Power Rating in V	0
Usable voltage range in V	240/208
Frequency in Hz	60
Fuse rating in A	20
Number of phases	2
Connection wire with plug	•
Length of power cord in in. (m)	2
Length of water inlet hose in ft. (m)	3.0
Length of water inlet hose in ft. (m)	9 (3.0)

DGC 7885

30" Combi-Steam Oven XXL with DirectWater plus

for steam cooking, baking, roasting with roast probe + menu cooking.



EAN: 4002516487883 / Material number: 11876310 /
Old Material Number: 23788543USA

Length of water drain hose in ft. (m)	3.0
Length of water drain hose in ft. (m)	9 (3.0)
Replacing bulbs	Customer Service
Standard accessories	
Universal tray with PerfectClean HUBB 71	1
Wire rack with PerfectClean HBBR 71	1
PerfectClean FlexiClip telescopic runners HFC 71 (pair)	1
Wired food probe	1
Removable side racks with PerfectClean (pair)	1
Perforated stainless-steel cooking containers	2
Solid stainless steel cooking containers	1
Descaling tablets	2

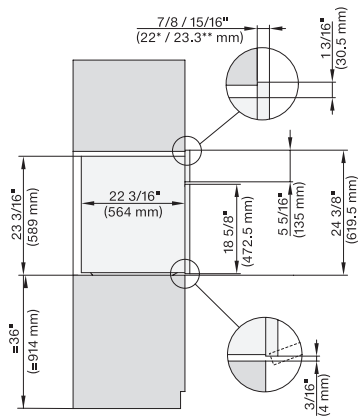
Available display languages

Available display languages via MultiLingua

? ? ? ? ? ? ? ? , ? ? , ?
 ? ? ? , deutsch, dansk,
 english, suomi, français,
 ελληνικά, italiano, ? ? ? ,
 ? ? ? , hrvatski, bahasa
 malaysia, nederlands, norsk,
 polski, portuguais, română,
 русский, svenska, srpski,
 slovenčina, slovenščina,
 español, čeština, türkçe,
 українська, magyar

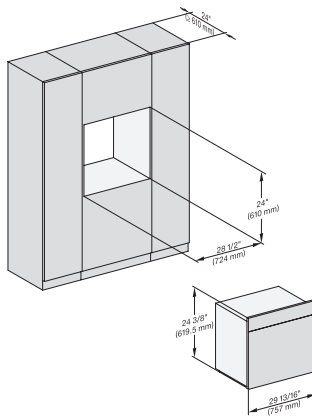
DGC 7885

30" Combi-Steam Oven XXL with DirectWater plus
for steam cooking, baking, roasting with roast probe + menu cooking.

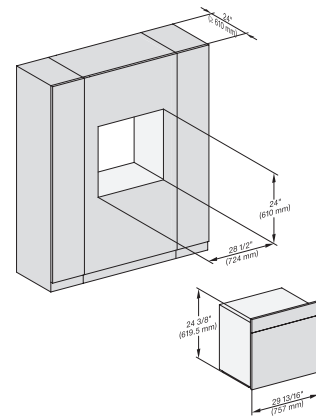


side view 30 inch Proud DGC30 XXL, installation drawing, NA

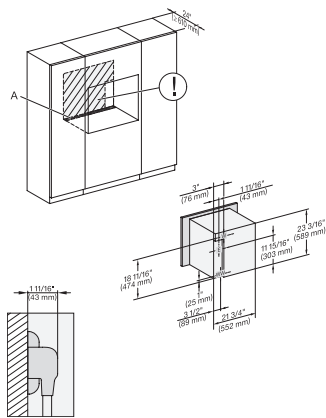
7/8" – 22* mm – Glass, 15/16" – 23.3** mm – Stainless steel



installation 30 inch Proud DGC30 XXL, installation drawing, NA

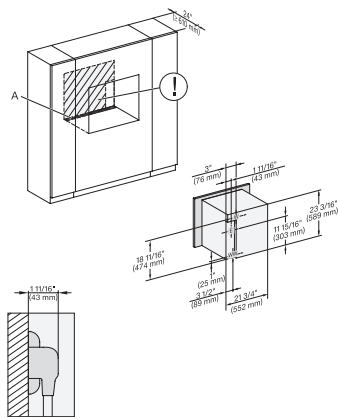


installation 30 inch Proud wide front DGC30 XXL, installation drawing, NA



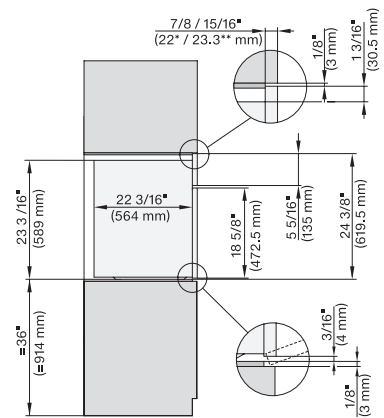
installation 30 inch Proud DGC XXL, installation drawing, NA

A – Cut-out (1 9/16" x 19 11/16" / 40 mm x 500 mm) in the bottom of the cabinet for power cord and ventilation, – Electrical and water supplies are recommended to be placed in adjacent cabinetry., Additional cabinet depth is required when placing the electrical and water supplies behind the appliance., E = Electric connection, W = Water connection, L = 9' 10 1/8" (3,000 mm), WW = Waste water connection, L = 9' 10 1/8" (3,000 mm), The top end of the drain hose to the inlet of the odor trap must not be higher than 19 11/16" (500 mm).



installation 30 inch wide front DGC XXL, installation drawing, NA

A – Cut-out (1 9/16" x 19 11/16" / 40 mm x 500 mm) in the bottom of the cabinet for power cord and ventilation, – Electrical and water supplies are recommended to be placed in adjacent cabinetry., Additional cabinet depth is required when placing the electrical and water supplies behind the appliance., E = Electric connection, W = Water connection, L = 9' 10 1/8" (3,000 mm), WW = Waste water connection, L = 9' 10 1/8" (3,000 mm), The top end of the drain hose to the inlet of the odor trap must not be higher than 19 11/16" (500 mm).



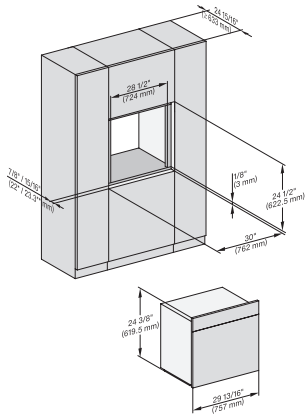
side view, 30 inch Flush inset DGC30 XXL, installation drawing, NA

7/8" – 22* mm – Glass, 15/16" – 23.3** mm – Stainless steel

DGC 7885

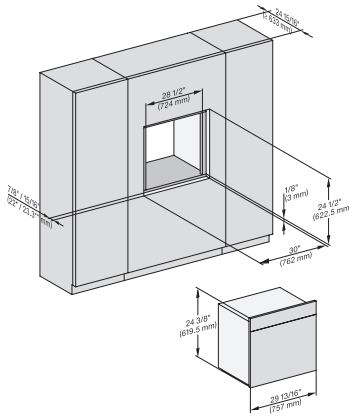
30" Combi-Steam Oven XXL with DirectWater plus

for steam cooking, baking, roasting with roast probe + menu cooking.



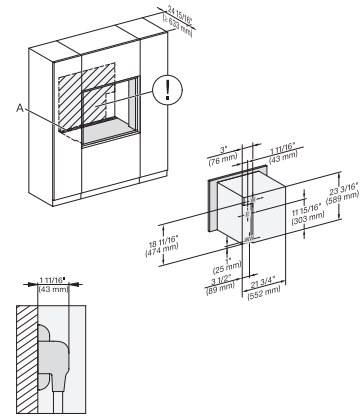
Installation 30 inch Flush inset DGC30 XXL, installation drawing, NA

7/8" – 22* mm – Glass, 15/16" – 23.3** mm – Stainless steel



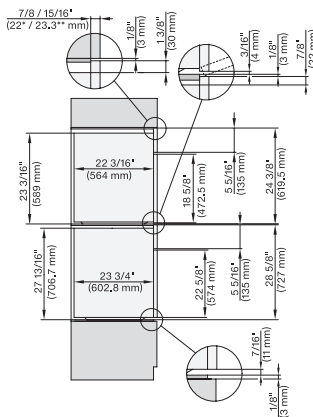
Installation 30 inch Flush inset wide front DGC30 XXL, installation drawing, NA

7/8" – 22* mm – Glass, 15/16" – 23.3** mm – Stainless steel



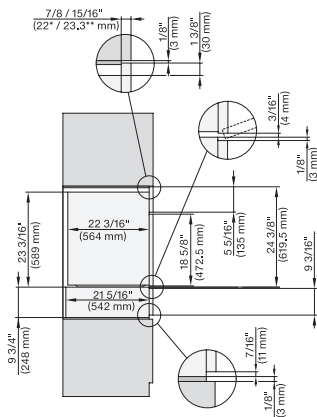
Installation 30 inch Flush inset DGC XXL, installation drawing, NA

A – Cut-out (1 9/16" x 11 11/16" / 40 mm x 500 mm) in the bottom of the cabinet for power cord and ventilation, – Electrical and water supplies are recommended to be placed in adjacent cabinetry, Additional cabinet depth is required when placing the electrical and water supplies behind the appliance, E = Electric connection, W = Water connection, L = 9' 10 1/8" (3,000 mm), WW = Waste water connection, L = 9' 10 1/8" (3,000 mm), The top end of the drain hose to the inlet of the odor trap must not be higher than 19 11/16" (500 mm).



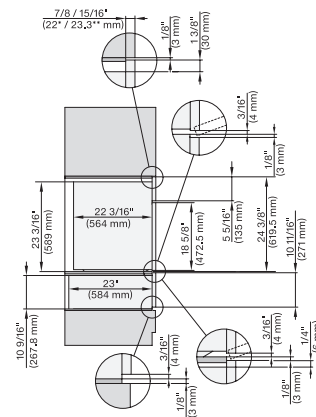
DGC7x8x, H2x80BP, H7x8xBP(X), side view, 30 Zoll, Flush inset, combi, XXL 650

7/8" – 22* mm – Glass, 15/16" – 23.3** mm – Stainless steel, DGC: Minimum installation height 36" – 914 mm from floor to the device installation surface



DGC7x8x, ESW7x70, EVS7670, side view, 30 Zoll, Flush inset, combi, XXL

7/8" – 22* mm – Glass, 15/16" – 23.3** mm – Stainless steel, DGC: Minimum installation height 36" – 914 mm from floor to the device installation surface



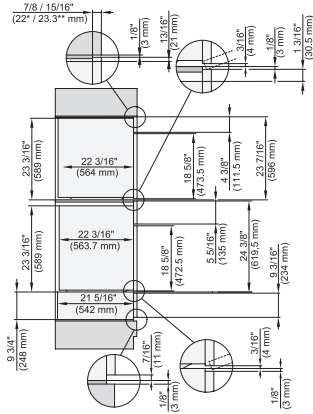
DGC7x8x, ESW7x80, side view, 30 Zoll, Flush inset, combi, XXL

7/8" – 22* mm – Glass, 15/16" – 23.3** mm – Stainless steel, DGC: Minimum installation height 36" – 914 mm from floor to the device installation surface

DGC 7885

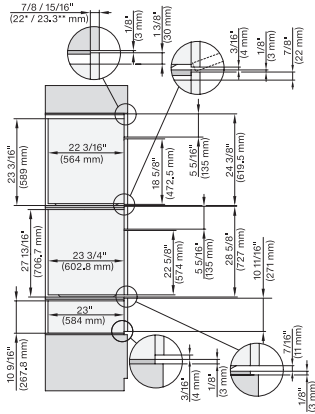
30" Combi-Steam Oven XXL with DirectWater plus

for steam cooking, baking, roasting with roast probe + menu cooking.



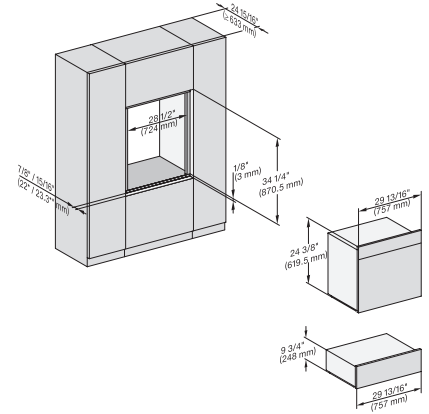
DGC786x+EBA7868, DGC7x8x, ESW7x70, EVS7670, side view, 30 Zoll, Flush inset, combi, XXL

7/8" – 22* mm – Glass, 15/16" – 23.3** mm – Stainless steel



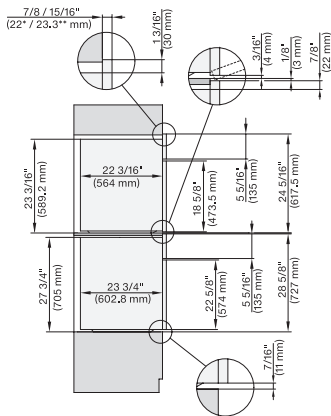
DGC7x8x(X), H2x80BP, H7x8xBP, ESW7x80, side view, 30 Zoll, Flush inset, combi, XXL, 650, ESW30

7/8" – 22* mm – Glass, 15/16" – 23.3** mm – Stainless steel, DGC: Minimum installation height 36" – 914 mm from floor to the device installation surface



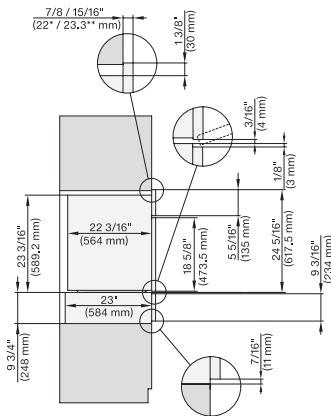
DC7x8x, ESW7x70, EVS7670 Einbau, 30 Zoll, Flush inset, combi, XXL

7/8" – 22* mm – Glass, 15/16" – 23.3** mm – Stainless steel, DGC: Minimum installation height 36" – 914 mm from floor to the device installation surface



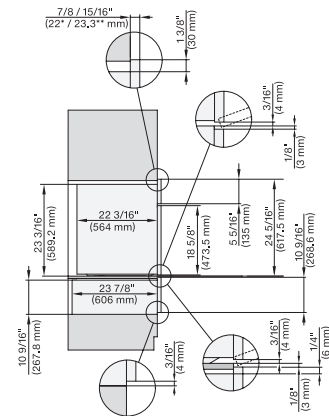
DGC7x8x, H2x80BP, H7x8xBP(X), side view, 30 Zoll, Proud, combi, XXL 650

7/8" – 22* mm – Glass, 15/16" – 23.3** mm – Stainless steel, DGC: Minimum installation height 36" – 914 mm from floor to the device installation surface



DGC7x8x, ESW7x70, EVS7670, side view, 30 Zoll, Proud, combi, XXL

7/8" – 22* mm – Glass, 15/16" – 23.3** mm – Stainless steel, DGC: Minimum installation height 36" – 914 mm from floor to the device installation surface

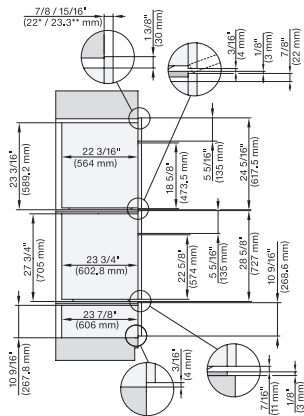


DGC7x8x, ESW7x80, side view, 30 Zoll, Proud, combi, XXL

7/8" – 22* mm – Glass, 15/16" – 23.3** mm – Stainless steel, DGC: Minimum installation height 36" – 914 mm from floor to the device installation surface,

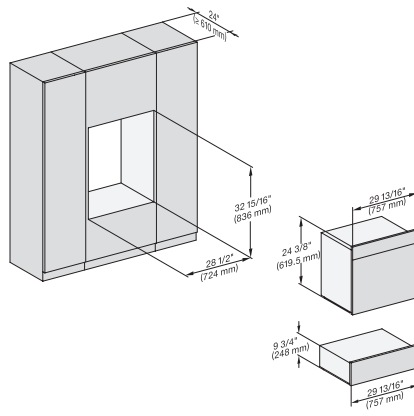
DGC 7885

30" Combi-Steam Oven XXL with DirectWater plus
for steam cooking, baking, roasting with roast probe + menu cooking.



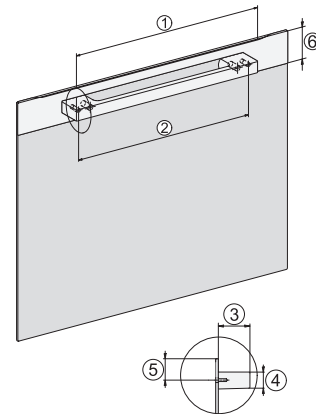
DGC7x8x(X), H2x80BP, H7x8xBP(X), ESW7x80, side view, 30 Zoll, Proud, combi, XXL, 650

7/8" – 22* mm – Glass, 15/16" – 23.3** mm – Stainless steel, DGC: Minimum installation height 36" – 914 mm from floor to the device installation surface



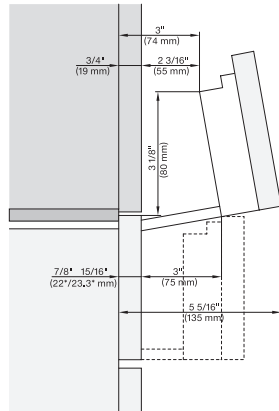
DGC7x8x, ESW7x70, EVS7670, Einbau, 30 Zoll, Proud, combi, XXL

DGC: Minimum installation height 36" – 914 mm from floor to the device installation surface



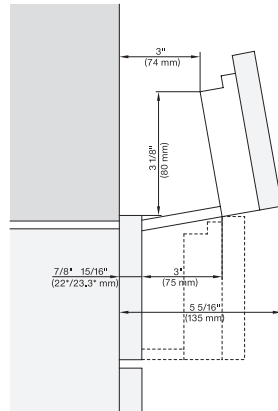
Handle DGC74xx, DGC76xx, DGC78xx, PureLine – NA7000 - Installation drawing

DGC7470, DGC7670, DGC7870, DGC7875, DGC7880, DGC7885, [2] 19 11/16" / 500 mm, [2] 17 1/2" / 444 mm, [2] 1 7/8" / 47 mm, [2] 15/16" / 24 mm, [2] 1 1/4" / 32,5 mm, [2] 2 9/16" / 65 mm, , DGC7440, DGC7640, DGC7840, DGC7845, DGC7860, DGC7865; [2] 15 3/4" / 400 mm, [2] 14 3/16" / 360 mm, [2] 1 7/8" / 47 mm, [2] 15/16" / 24 mm, [2] 1 1/4" / 32,5 mm, [2] 2 9/16" / 65 mm



Swivel range Flush inset DGC 30 inch, installation drawing, NA

7/8" – 22* mm – Glas, 15/16" – 23.3** mm – Edelstahl



swivel range 30 inch Proud DGC, installation drawing, NA

7/8" – 22* mm – Glas, 15/16" – 23.3** mm – Edelstahl