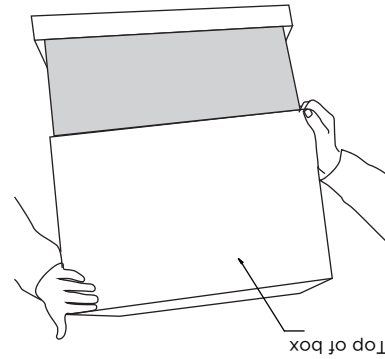


Step 3: You'll need two people to lift the chair out of the box. Lift from the back and the base, do not grab the chair's arm panels to move or position.



Step 1: Remove all the packaging straps and slide the top of the box lifting upwards. The chair will be positioned in the box with its footrest up.

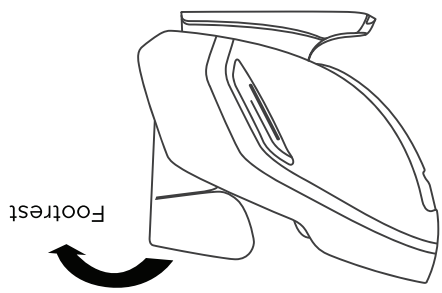
Before assembling your chair, watch an assembly video at: www.infinitymassagechairs.com/assembly-tutorials
Alternatively, scan the QR code to go directly to the URL above.



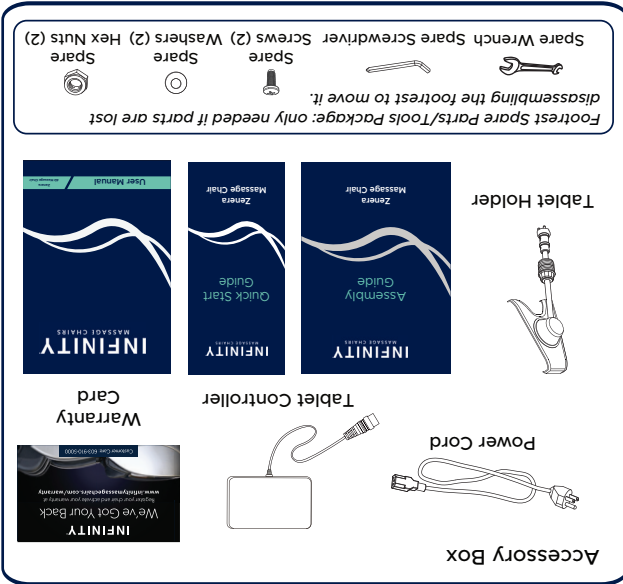
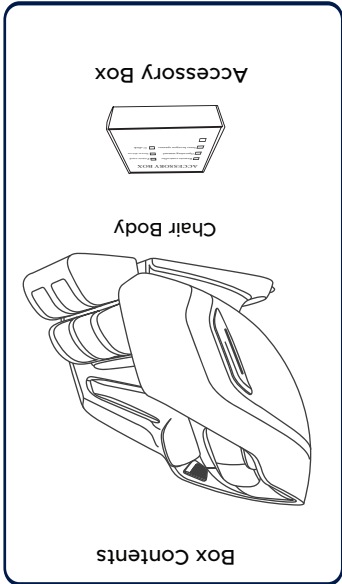
INFINITY
MESSAGE CHAIRS

Assembly Guide

Zenara™
Massage Chair

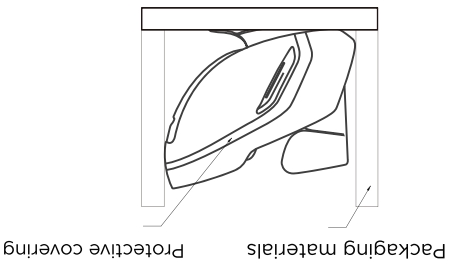


Step 4: Once the chair is on the floor, gently fold the footrest down from the seat pad.

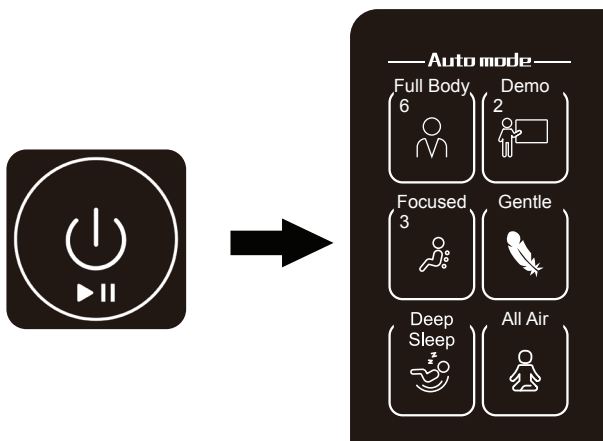


If anything is missing, please contact INFINITY at 603-910-5000. Do not return to the place of purchase.

Step 2: Remove the packaging materials and the protective cover over the chair, find the accessory box and carefully check the accessory box contents making sure all items are accounted for.



Step 9: If the tablet controller is not on, tap the power button. Then, locate the Auto Mode panel section and choose an auto massage program.



Review chair for smooth operation. If things are not operating correctly, review all assembly steps. Call Infinity support at 1-603-910-5000 if you need live US-based support.

You are done; time for a Massage!



Register your product at www.infinitymassagechairs.com/warranty to ensure it is in our system. This will simplify the warranty process should you ever need it.

Alternatively, scan the QR code to go directly to the URL above.

INFINITY

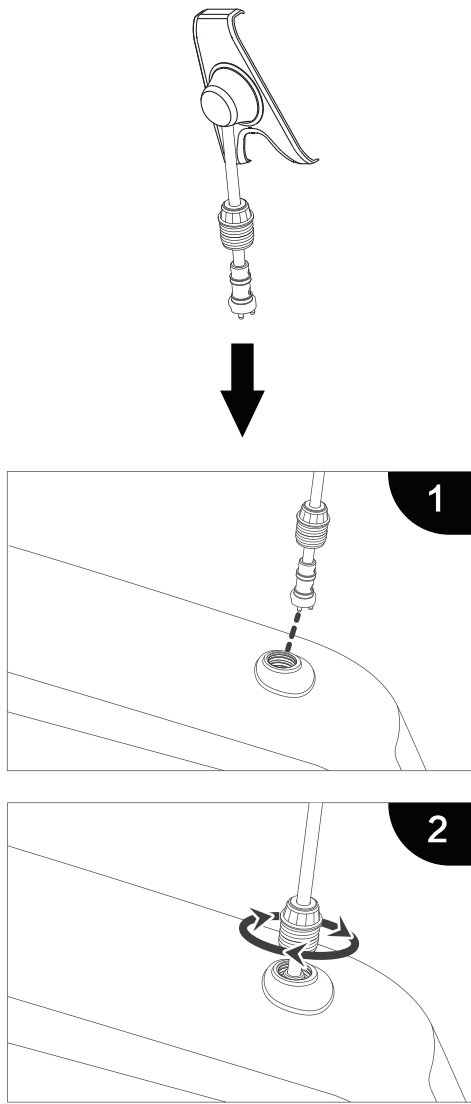
72 Stard Road, Seabrook, NH 03874
(603) 910-5000
www.infinitymassagechairs.com

Version 1.1

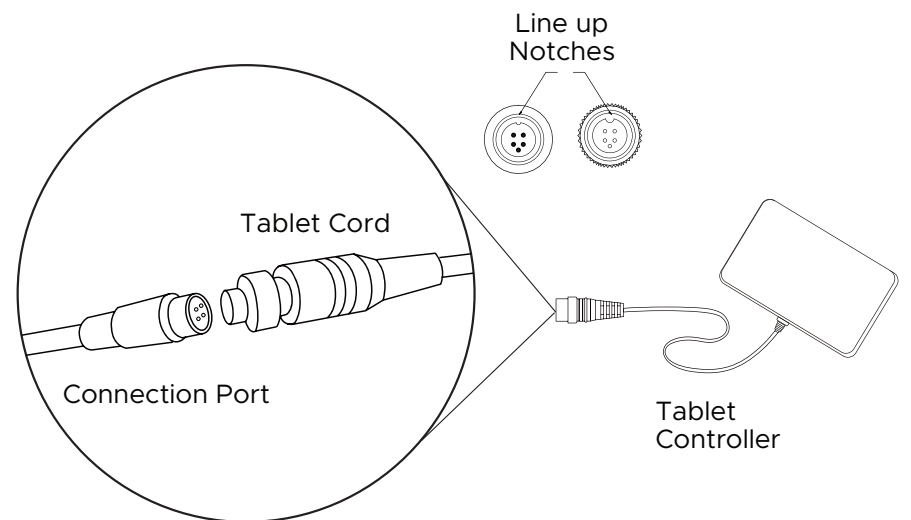
INFINITY

MASSAGE CHAIRS

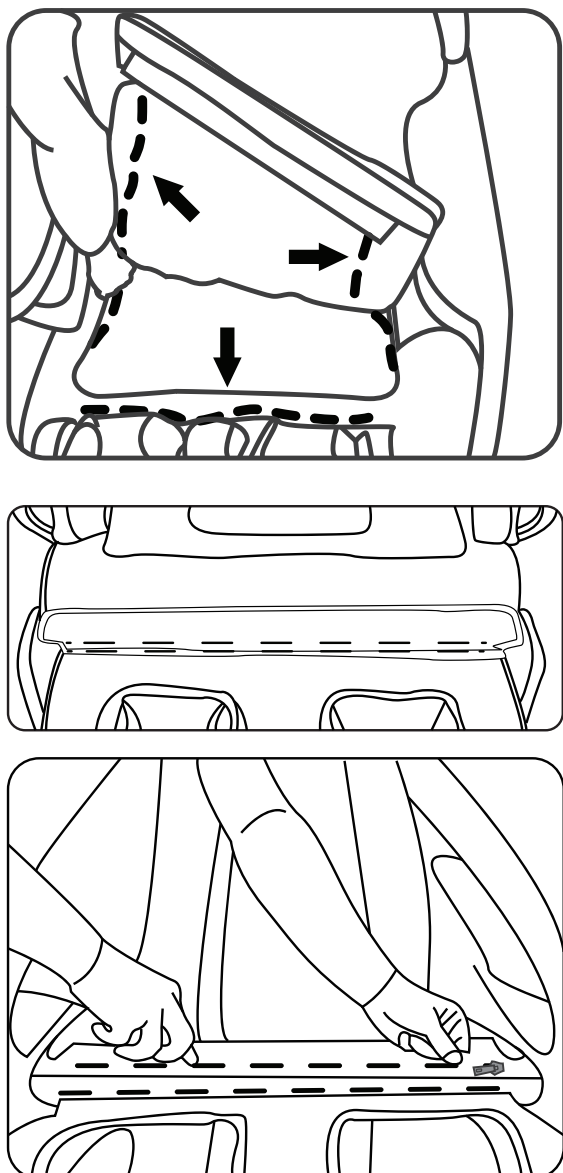
5 Step 5: Take the tablet holder from the accessory box and position it on the left arm panel where the tablet holder mount is, push the pole inside of the mount and screw the pole base to secure it.



6 Step 6: Attach the tablet cord to the connection port on the left inner side of the arm panel. The connection port and the connection cord plug have key and pins which you will need to line up. When aligned push together, do not force. Now snap the tablet controller into the tablet holder.



7 Step 7: Locate the zippers on the front and sides of the seat pad. Start by zipping the right side, then the left, and finish with the front zipper.



8 Step 8: Plug the power cord into the back of the chair, plug the other side into a grounded 110v outlet. Press the power switch to "I" (on).

