

HR 1422-3 I

30" Range

Fully electric model with induction cooktop and DirectSelect controls



- Turn dial operation with display – DirectSelect
- State-of-the-art cooktop technology – four induction cooking zones
- Fast heating time and even heat distribution – TwinPower
- Minimal cleaning effort – Self-cleaning
- Easy opening & closing – noise and vibration absorbers

EAN: 4002516755906 / Material number: 12298850 /
Old Material Number: 25142281USA

| General information | |
|---|--------------------------------|
| Model number | HR 1422-3 I |
| Manufacturer material number | 12298850 |
| EAN number | 4002516755906 |
| Marketing class | Gold |
| Heating type | |
| Electric/Induction | • |
| Cooktop | Induction |
| Construction type and design | |
| Range | • |
| Appliance width in inches | 30 |
| Oven display | DirectSelect |
| Appliance color | Clean Touch Steel |
| Operating modes | |
| Maxi Broil | • |
| Booster | • |
| Convection Bake | • |
| Convection Roast | • |
| Surround | • |
| Bake | • |
| Convection Roast | • |
| Cooktop features | |
| Heating type | Induction |
| Number of induction cooking zones | 4 |
| Number of cooking zones with Booster function | 4 cooking zones |
| Number of cooking zones with TwinBooster | 2 cooking zones |
| Power level display | 1 - 9 |
| Number of cooking zones with keeping warm function | 4 rings |
| Number of vario cooking zones | 4 rings |
| Residual heat indicator | • |
| User convenience | |
| Precision knobs | • |
| SoftClose oven door/ SoftOpen | • |
| Automatic switch-off | • |
| Time of day display | • |
| Minute minder | • |
| Programmable cooking time | • |
| Individual settings | • |
| Oven compartment | |
| Oven cavity volume in cu. ft. (l) | 4.59 (130) ft ³ (l) |
| Number of oven shelf levels | 6 |
| No. of halogen lamps | double |
| TwinPower hot air fans | • |
| Cleaning convenience | |
| Stainless-steel front with partial Clean Touch Steel finish | • |
| Oven with self-cleaning program | • |
| Cooktop surface | Ceramic surface |
| CleanGlass door | • |

HR 1422-3 I

30" Range

Fully electric model with induction cooktop and DirectSelect controls



EAN: 4002516755906 / Material number: 12298850 /

Old Material Number: 25142281USA

Safety

| | |
|---|---|
| Appliance cooling system and cool touch front | • |
| Safety cut-out | • |
| System lock | • |
| Door contact switch | • |
| Door lock during self cleaning | • |

Technical data

| | |
|--|------------------|
| Appliance height min in in.(mm) | 35 5/8 (902) |
| Dimensions (depth) in in. (mm) with bullnose | 27 3/4 (702) |
| Appliance height max in in.(mm) | 37 1/8 (940) |
| Plug type | NEMA plug: 14-50 |
| Appliance width in in. (mm) | 30 (762) |
| Frequency in Hz | 60 |
| Power Rating in V | 120 |
| Voltage in V | 240/208 |
| Fuse rating in A | 50 |
| Number of phases | 1 |

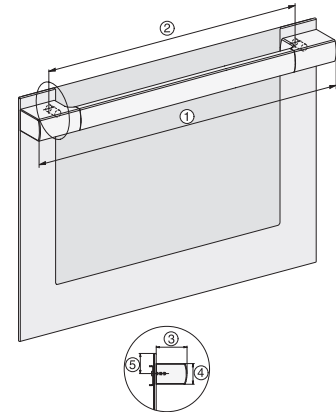
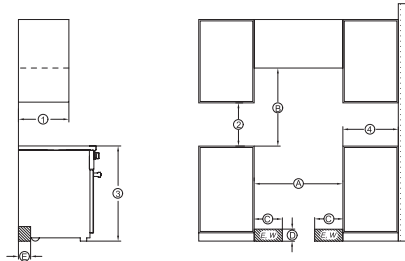
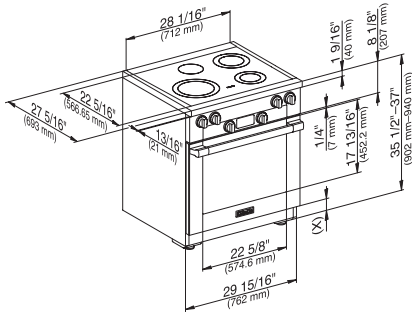
Standard accessories

| | |
|---|---|
| Self Clean ready baking and roasting rack | 1 |
| Self clean ready baking and roasting racks with rail system | 1 |
| Side racks self clean ready | 1 |

HR 1422-3 I

30" Range

Fully electric model with induction cooktop and DirectSelect controls



HR1421, HR1421-3, HR1422-3 i (installation drawing)

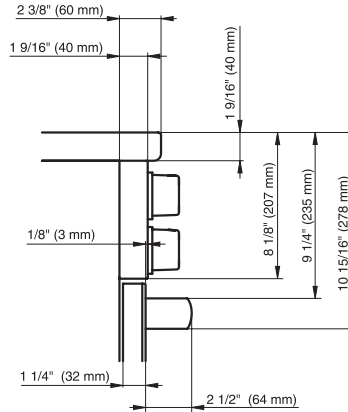
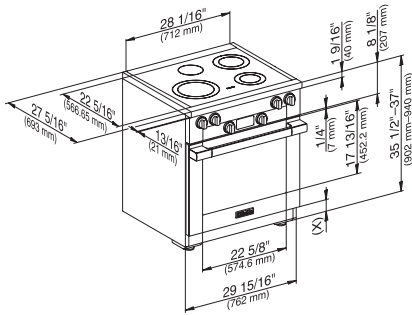
E = Electric connection

HR1422-3i, HR1622-3i, HR1432-3i, HR1632-3i – Installation drawing

② Maximum depth of top cabinet, ② Minimum distance to bottom edge of top cabinet, ② Distance from the floor to cooktop surface, ② Minimum distance to combustible surfaces, , E = Electric connection, W = Water connection, (A) Width of cabinet opening, (B) Minimum distance between the top of the cooking area and the bottom of an unprotected combustible surface, Minimum distance to a protected combustible surface or when a Miele Ventilation Hood is installed. For all other, Hoods please consult the manufacturer's specifications for required distances., (C) Maximum connection width right and left, (E) Maximum connection height

HR11xx-3, HR14xx-3, HR16xx-3i, HR17xx-3, HR19xx-3 installation drawings

30", ② 20 3/4" / 527,6 mm, ② 16 5/8" / 422,6 mm, ② 2 1/2" / 64 mm, ② 1 11/16" / 43 mm, ② 1 11/16" / 42,5 mm, , 36", ② 28 9/16" / 725 mm, ② 22 5/8" / 575 mm, ② 2 1/2" / 64 mm, ② 1 11/16" / 43 mm, ② 1 11/16" / 42,5 mm



HR1421-3, HR1422-3i (installation drawing)

(x) = Toe-kick height adjustment 5" – 6 1/2" (127 mm – 165.1 mm)

HR1421-3, HR1422-3i, HR1432-3i (installation drawing)