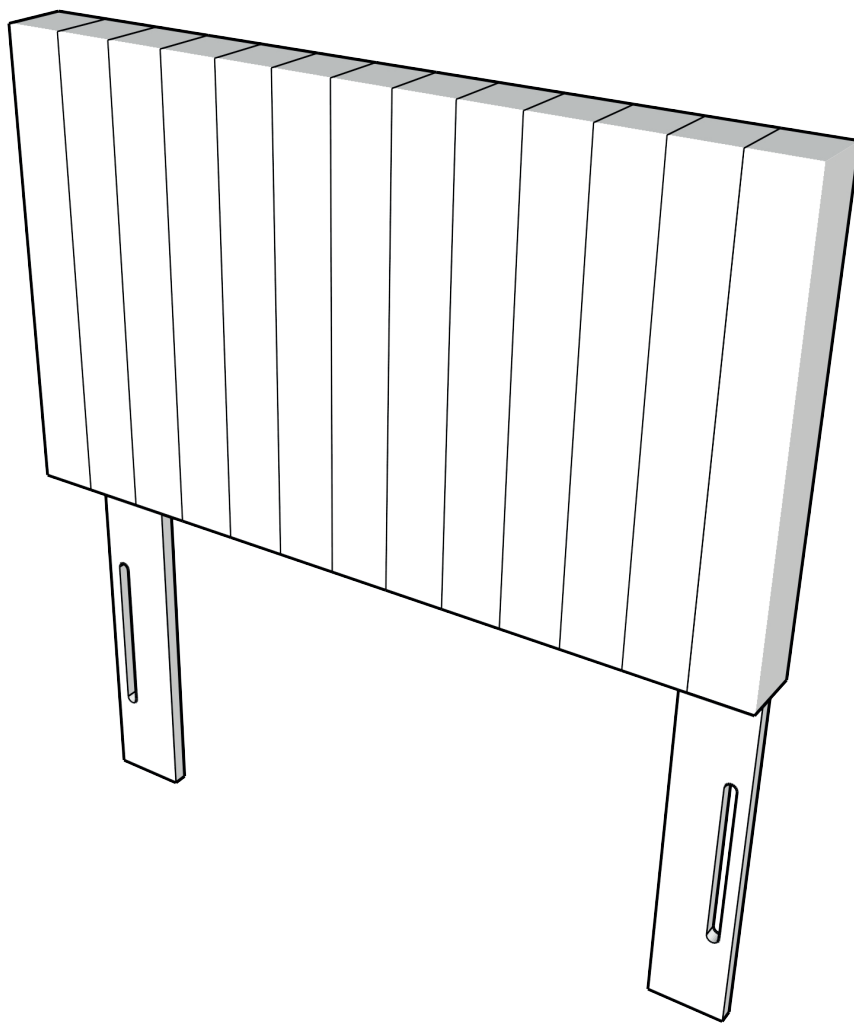


ASSEMBLY INSTRUCTIONS

MOD-6093

V1.12.15.21



Questions? Contact us!

609.256.9000 • cs@modway.com
www.modway.com

***modway**



Read through all of the instructions before starting



Care instructions are listed in the last step of this manual



Approx. 30 minutes assembly time



Make sure you have all parts and components before discarding any packing materials



2 people recommended for assembly

Only use hand tools to assemble this item. Do not use power tools. Do not tighten bolts or screws completely until all hardware is lined up and inserted into the holes.

Do not over-tighten screws and bolts to avoid stripping the hardware or cracking the item.

Assemble your item on a flat, carpeted area, with plenty of space to work. This will prevent damage and scratches to your floors or the item while you're assembling the product.




Keep all components and packaging out of reach of children or animals to avoid risk of choking or suffocation.

Furniture components:

A	Headboard	x1
B	Leg Post	x2
C	Bed frame - Sold Separately	x1






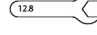
Provided Hardware:

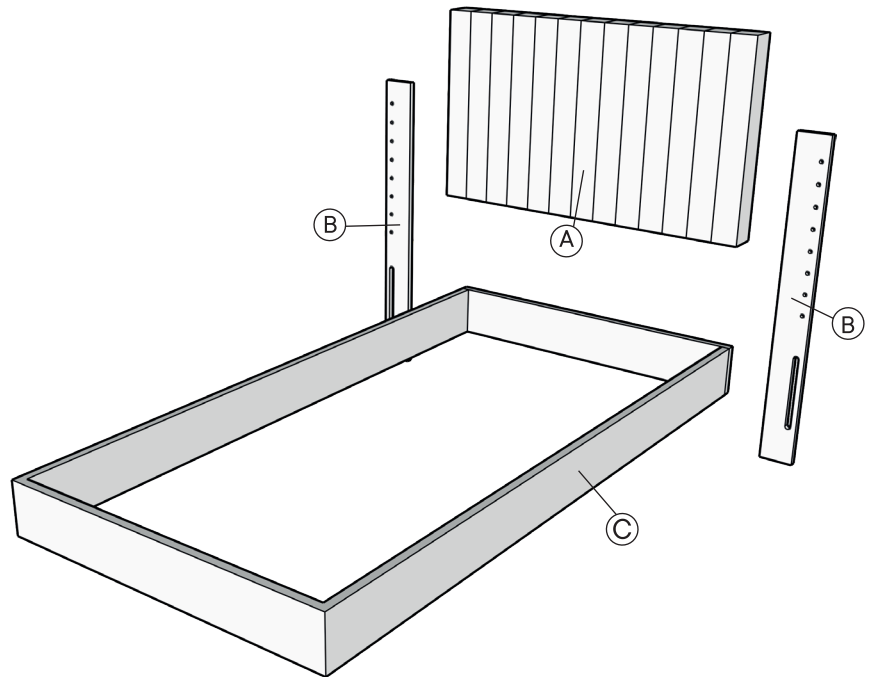
For Headboard

D		JCBB M8 X 45mm	x4
E		Flat Washer	x4
F		Allen key	x1

Provided Hardware:

For Bedframe

G		JCBB M8 X 45mm	x4
H		JCBB M8 X 60mm	x4
I		Flat Washer	x8
J		Spring Washer	x8
K		Hex Nut 5/16	x4
L		Spanner	x1



CARING FOR YOUR ITEM

Not contract grade.

Clean using a non-abrasive cloth and a mild cleaner.

Never use harsh chemicals, as they could damage the finish or integrity of the item.

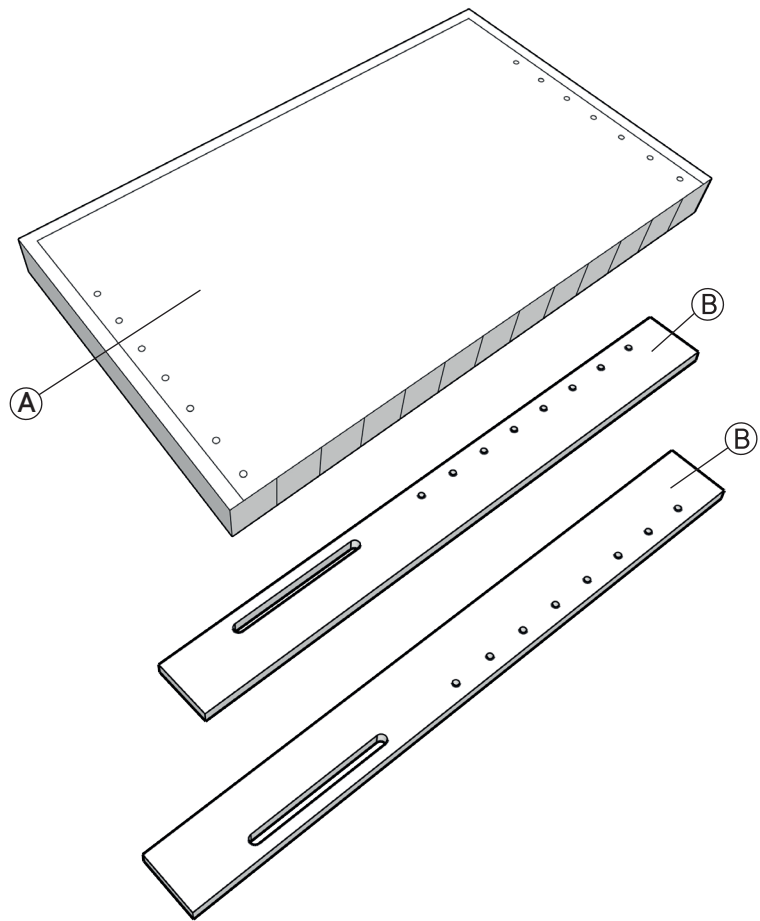
Wait!

Missing parts or hardware? Need assistance? Contact us before returning your item. We're here to help!
609.256.9000 • cs@modway.com

Step 1

COMPONENTS

- A** Headboard **x1**
- B** Leg Post **x2**



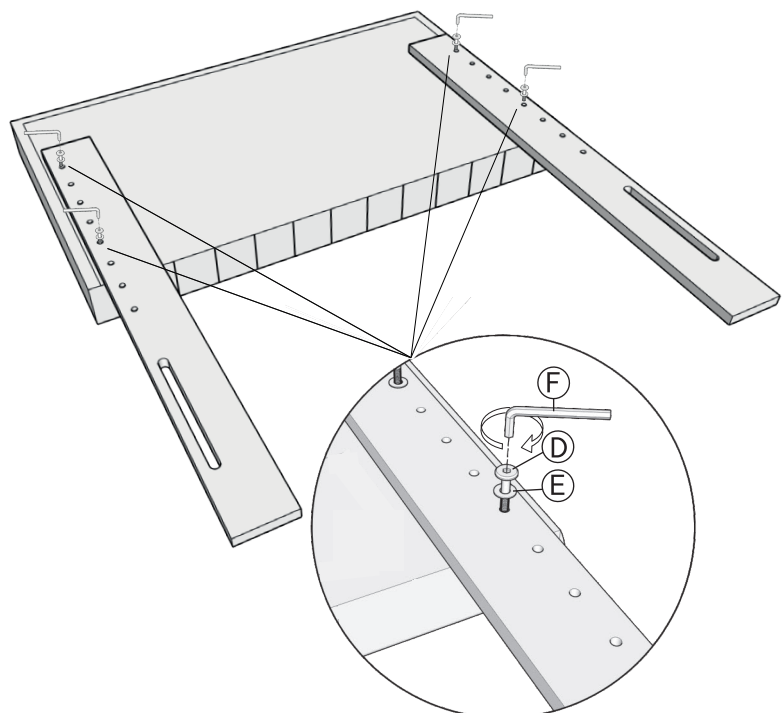
Step 2

COMPONENTS

- A** Headboard **x1**
- B** Leg Post **x2**

HARDWARE

- D** JCBB M8 X 45mm **x4**
- E** Flat Washer **x4**
- F** Allen Key **x1**



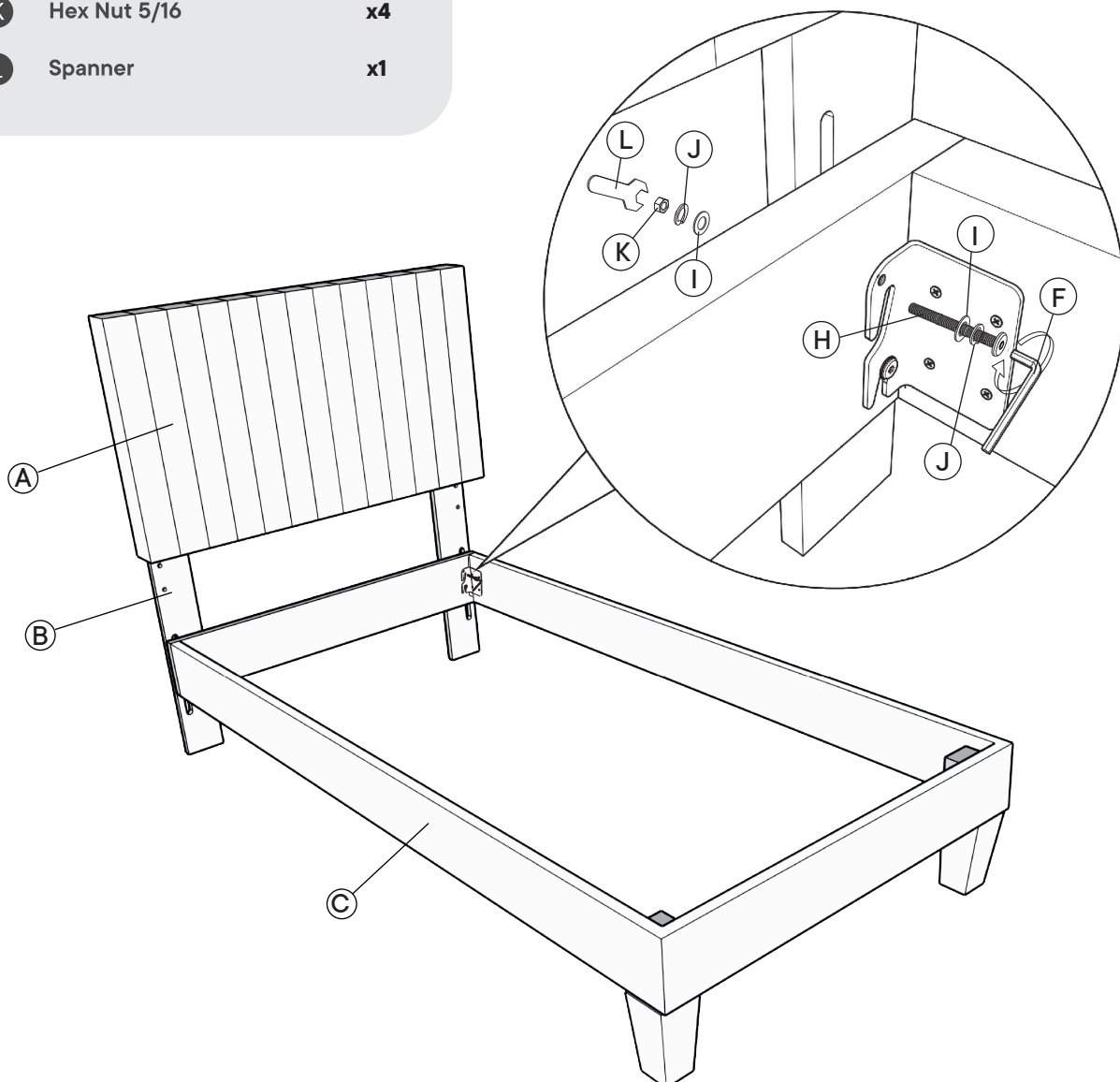
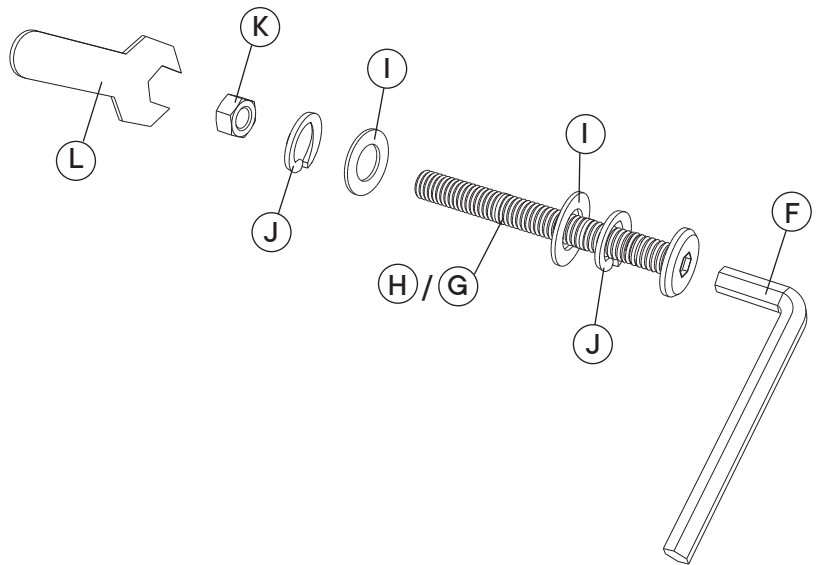
Step 3

COMPONENTS

A	Headboard	x1
B	Leg Post	x2
C	Bed Frame	x1

HARDWARE

F	Allen key	x1
G	JCBB M8 x 45mm	x4
H	JCBB M8 x 60mm	x4
I	Flat Washer	x8
J	Spring Washer	x8
K	Hex Nut 5/16	x4
L	Spanner	x1



Great job!

Headboard and bed-frame assembly is complete.

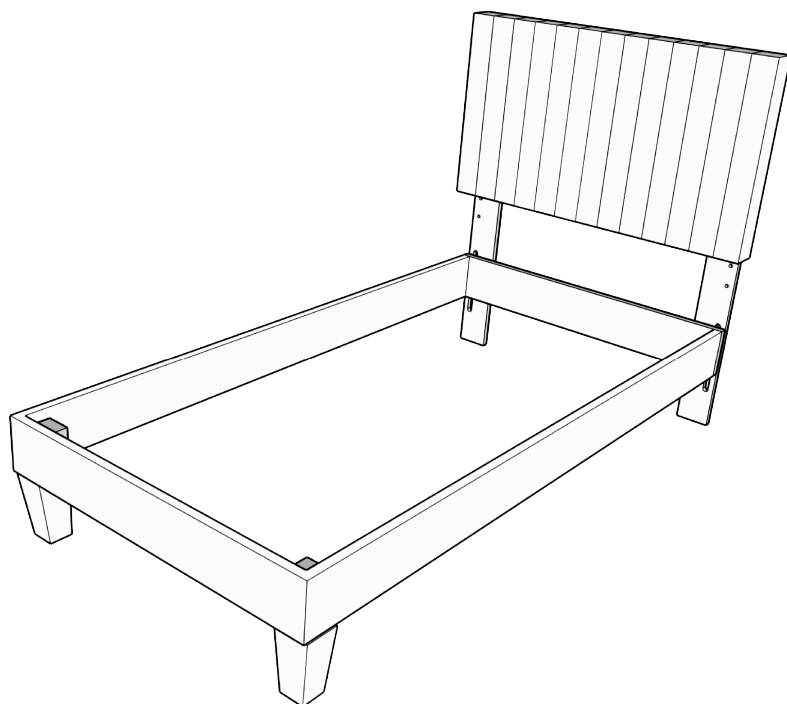
♥ CARING FOR YOUR ITEM

Indoor use only.

Not contract grade.

Spot clean using a non-abrasive cloth and a mild cleaner.

Never use harsh chemicals, as they could damage the finish or integrity of the item.



CONNECT WITH US!   

Tag us **@modway_furniture** and **#modway** for a chance to be featured.