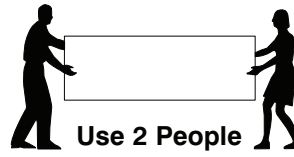
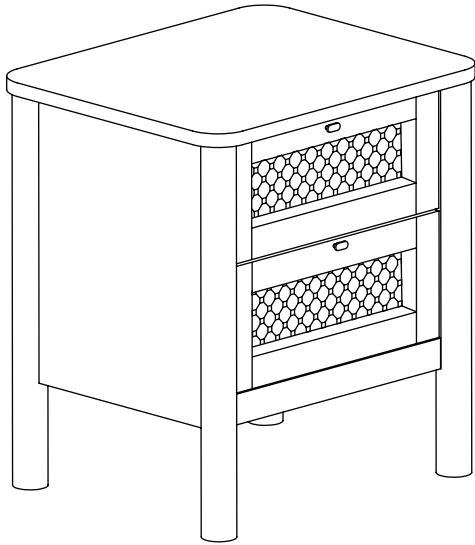


# 9006 2 Drawer Nightstand

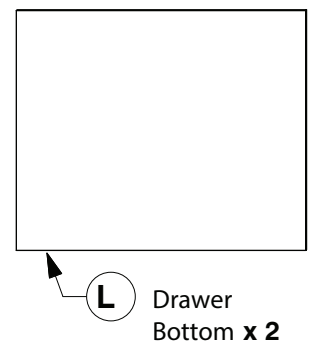
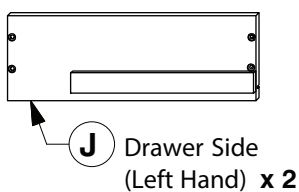
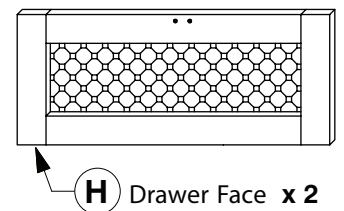
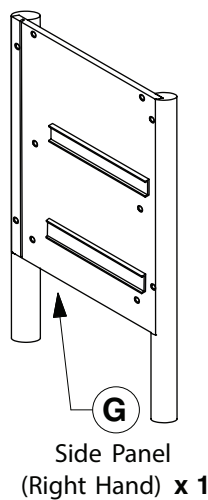
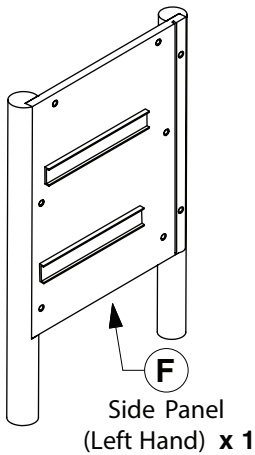
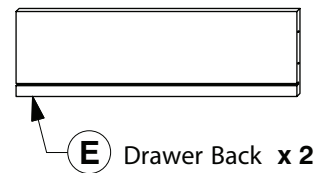
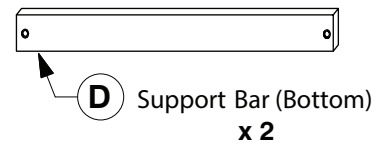
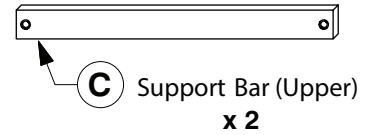
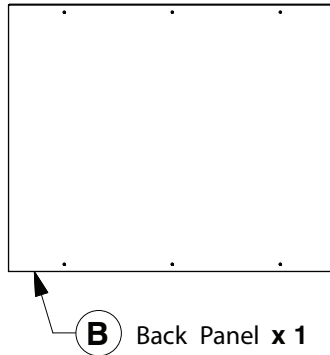
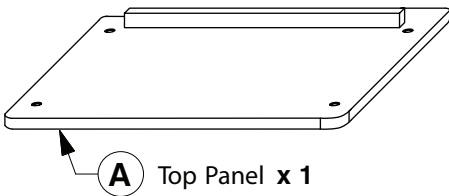
## Assembly Instructions

WI-0324



**Note:** Do not assemble using power tools. This can cause the bolts to be overtightened

### 1 Parts List


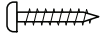
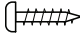
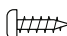






# 9006 2 Drawer Nightstand

## Assembly Instructions

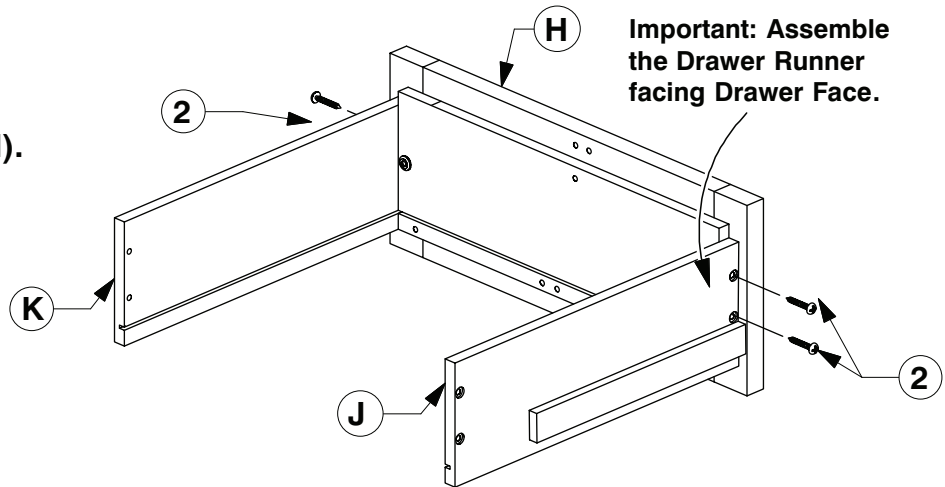
WI-0824

### 2 Hardware List

- |  |   |  |  |
|--|---|--|--|
| <br>① M6 x 15mm<br>JCB x 24 | <br>② M4 x 25mm<br>Wood Screw x 16 | <br>③ M4 x 20mm<br>Wood Screw x 4 | <br>④ M4 x 16mm<br>Wood Screw x 6 |
| <br>⑤ Handle<br>x 2         | <br>⑥ 'L' Bracket<br>(5005-3) x 12 | <br>⑦ M4 x 25mm<br>Wood Screw x 4 | <br>⑧ Allen Key<br>x 1            |

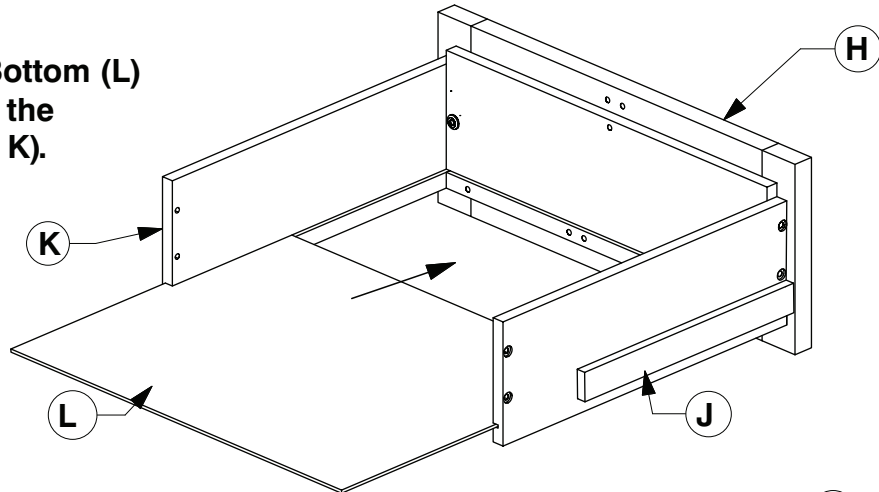
### 3 Assemble the Drawer Sides (J & K) to the Drawer Face (H).

x2



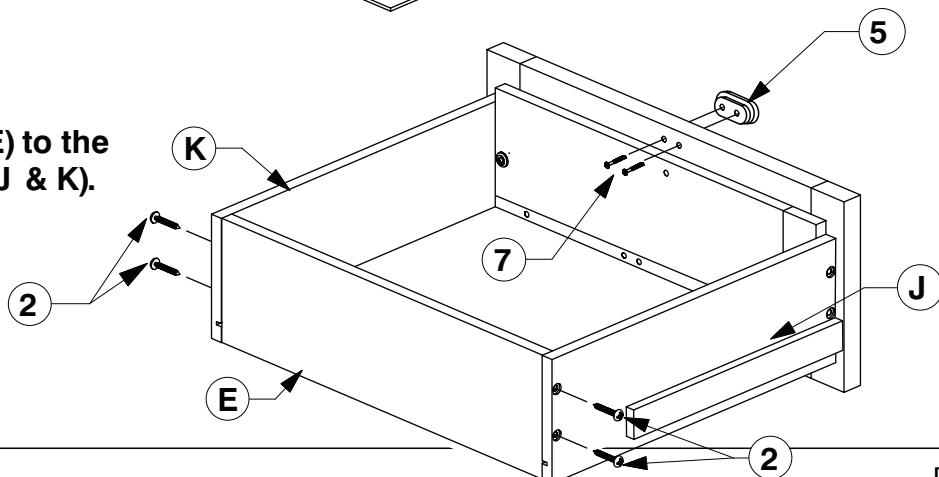
### 4 Slide the Drawer Bottom (L) into the groove on the Drawer Sides (J & K).

x2



### 5 Assemble the Drawer Back (E) to the Drawer Sides (J & K).

x2

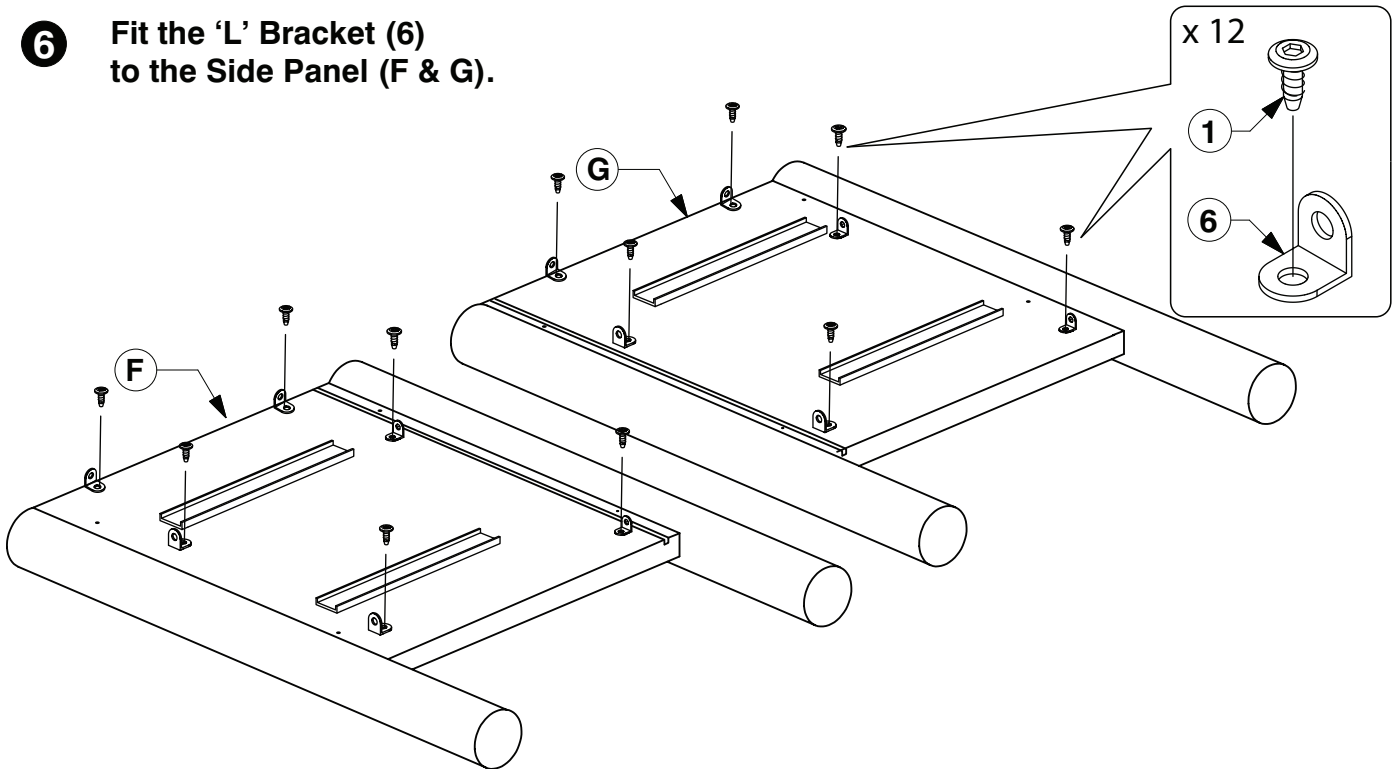


# 9006 2 Drawer Nightstand

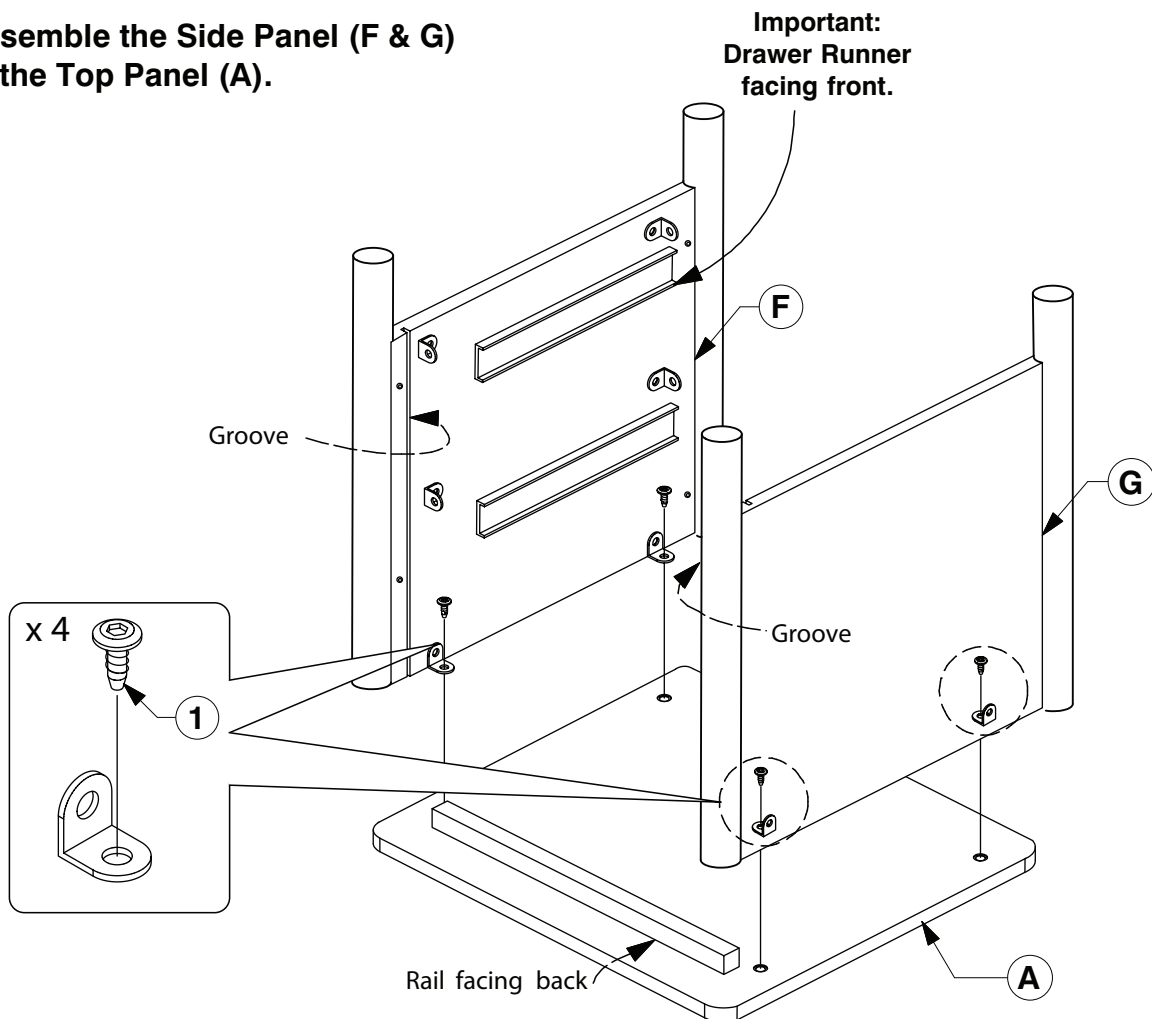
## Assembly Instructions

WI-0324

- 6** Fit the 'L' Bracket (6) to the Side Panel (F & G).



- 7** Assemble the Side Panel (F & G) to the Top Panel (A).



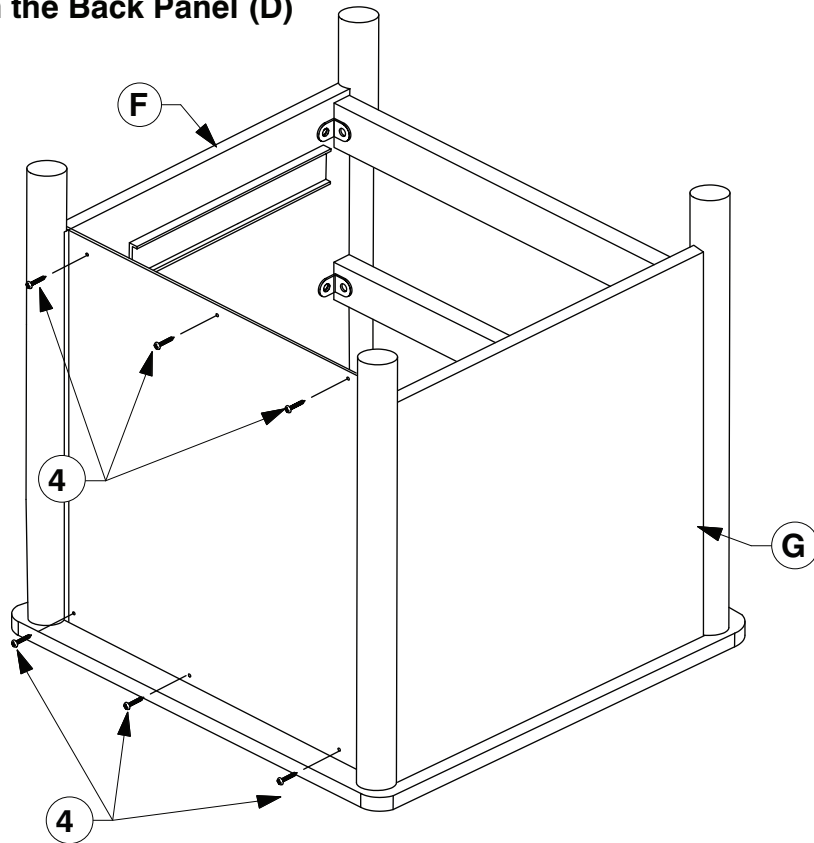


# 9006 2 Drawer Nightstand

## Assembly Instructions

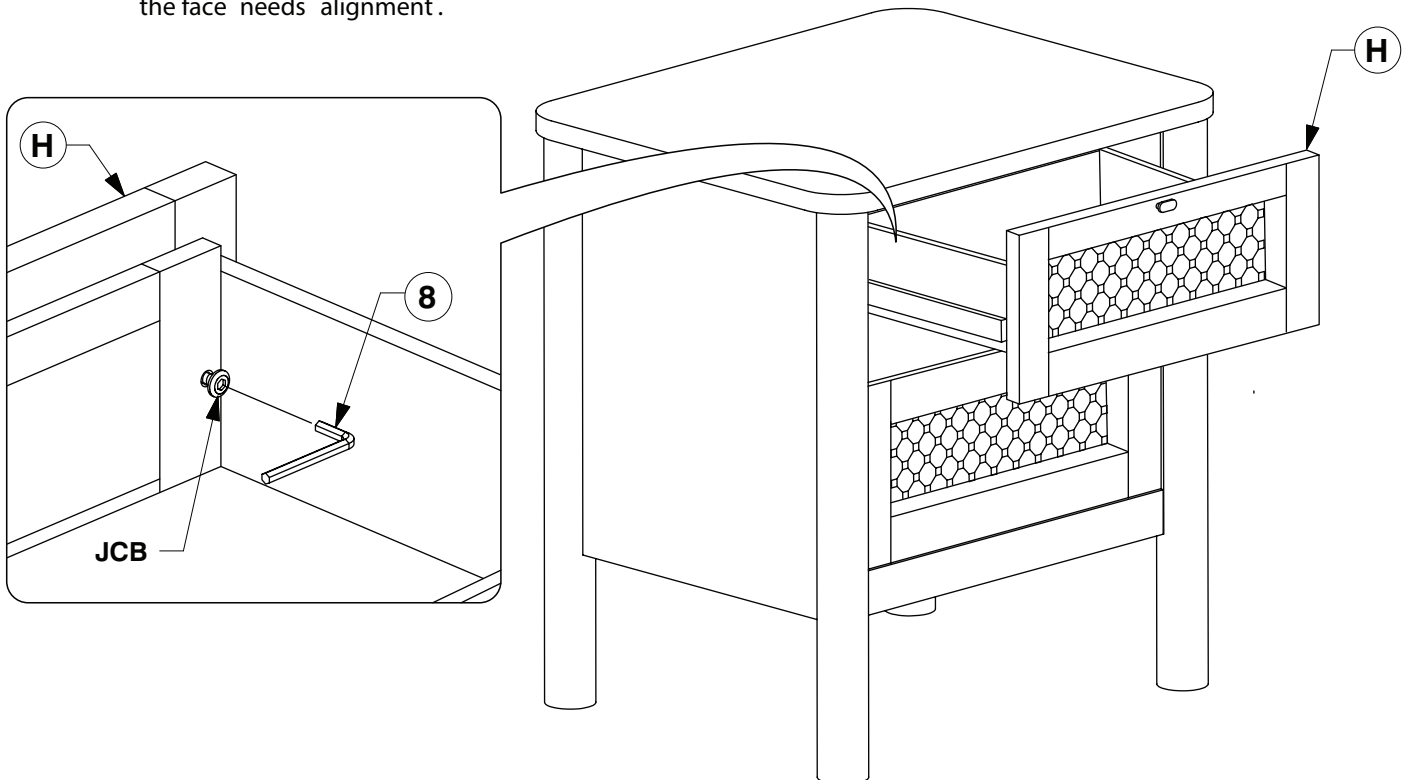
WI-0324

- 10** Use Screw to tighten the Back Panel (D) to the back of frame.



- 11** Fit and adjust the Drawer Face (H).

\* NOTE: Before fitting the Wood Screws .  
Losen the JCBs on the Drawer Face if the face needs alignment.



# 9006 2 Drawer Nightstand

Assembly Instructions

WI-0824

**12** After the Drawer Faces (H) are aligned, secure with wood screws.

