

GFT14ESSMWW

GE® 4.1 Cu.Ft. Stainless Steel Capacity 24" Ventless Condenser Frontload Electric Dryer

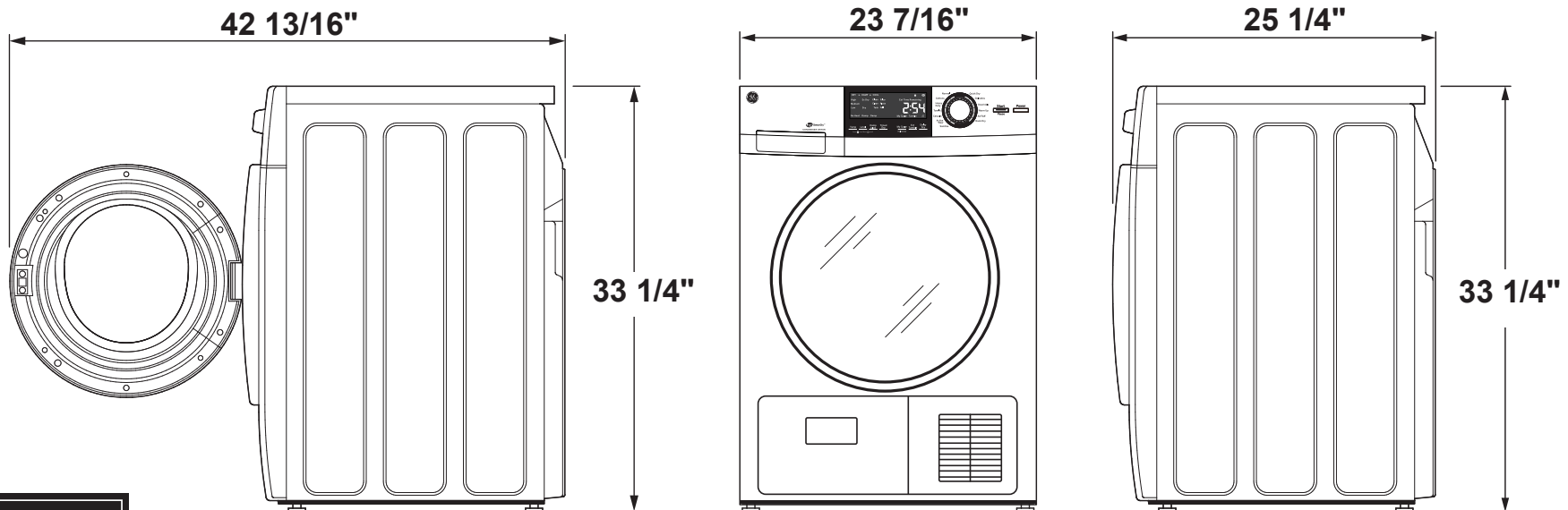
DIMENSIONS AND INSTALLATION INFORMATION (IN INCHES)

| ELECTRIC DRYER RATING | |
|-----------------------|------------------|
| 240V | 2800W, 12A, 60Hz |
| 208V | 9A, 60Hz |

CIRCUIT REQUIREMENTS: An individual, properly grounded branch circuit, protected by a 30-amp circuit breaker or a time-delay fuse, is required.

NOTE: Dryer wall outlet must be located within 36" of service cord entry and accessible when dryer is mounted in position.

INSTALLATION INFORMATION: For complete information, see installation instructions packed with your dryer.



For answers to your GE Profile™ Series or GE Appliances product questions, visit our website at geappliances.com or call GE Answer Center® Service, 800.626.2000.



Specification Revised 4/19

GFT14ESSMWW

GE® 4.1 Cu.Ft. Stainless Steel Capacity 24" Ventless Condenser Frontload Electric Dryer

SPECIAL INSTALLATION REQUIREMENTS:

ALCOVE OR CLOSET INSTALLATION:

Stacking Kit - GFA24KITL (not included)

If your dryer is approved for installation in an alcove or closet, it will be stated on a label on the dryer back.

Minimum clearances between dryer cabinet and adjacent walls or other surfaces are: 1" left and right sides, 1" top, 3" front and rear.

Minimum clearances between washer cabinet and adjacent walls or other surfaces are: 1" left and right sides, 1" top, 1" front and rear.

Closet doors must be louvered or otherwise ventilated and must contain a minimum of 60 sq. in. of open area equally distributed. If this closet contains both a washer and a dryer, doors must contain a minimum of 120 sq. in. of open area equally distributed.

No other fuel-burning appliance shall be installed in the same closet with a gas dryer.

BATHROOM OR BEDROOM INSTALLATION:

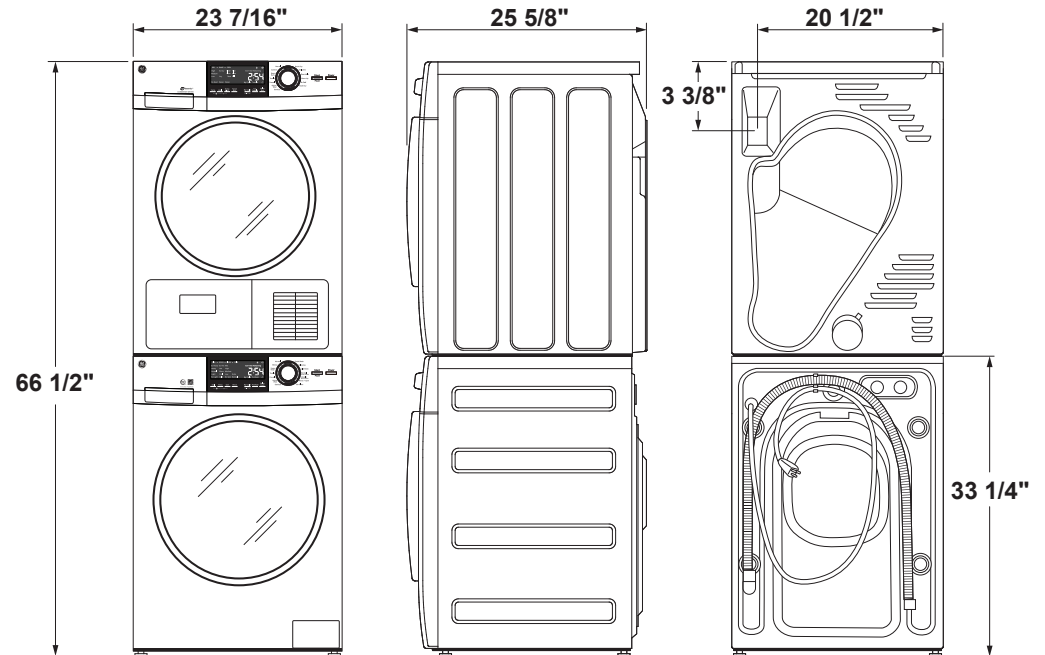
The installation must conform with the local codes, or in the absence of local codes, with the National Electric Code and National Fuel Gas Code, ANSI Z223 for gas dryers.

MINIMUM CLEARANCE OTHER THAN ALCOVE OR CLOSET INSTALLATIONS:

Minimum clearances to combustible surfaces 0" both sides, 3" rear.

FOR MORE INFORMATION ON VENTING KITS AND ACCESSORIES, PLEASE CALL 1-800-GE-CARES.

STACKED DIMENSIONS (IN INCHES)



For answers to your GE Profile™ Series or GE Appliances product questions, visit our website at geappliances.com or call GE Answer Center® Service, 800.626.2000.



Specification Revised 4/19

GFT14ESSMWW

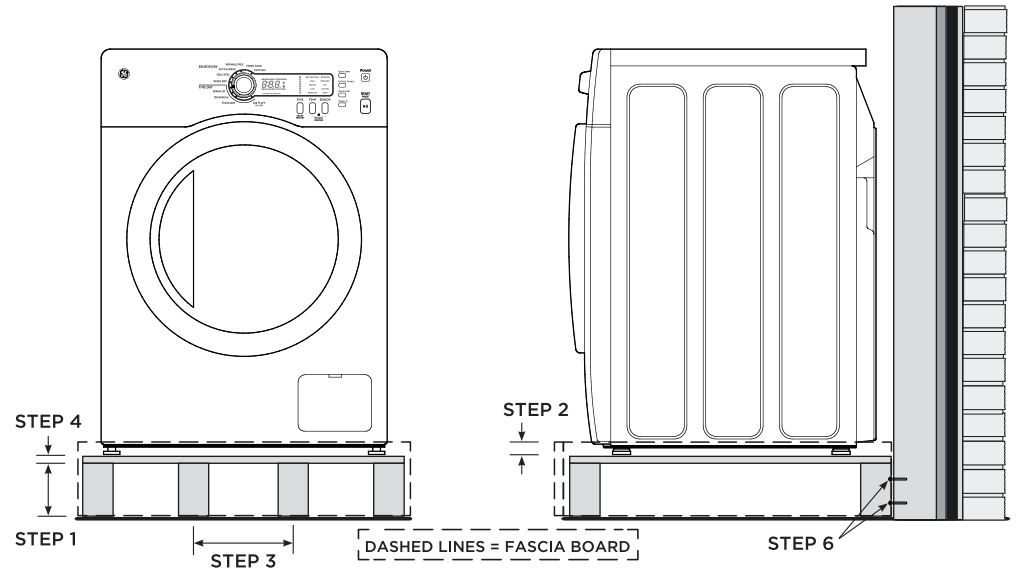
GE® 4.1 Cu.Ft. Stainless Steel Capacity 24" Ventless Condenser Frontload Electric Dryer

INSTALLATION INFORMATION

PLATFORM REQUIREMENTS TO MEET THE GUIDELINES FOR THE AMERICANS WITH DISABILITIES ACT (ADA)

FABRICATE A WOODEN PLATFORM FOLLOWING THESE REQUIRED INSTRUCTIONS FOR ADA COMPLIANCE:

1. The platform must raise the appliance at least 3", but not more than 7".
2. A hardwood fascia board that is 1" thick is required on any open side of the platform. The fascia board must have a lip height of 1" above the top to allow the consumer to open the front clean-out panel. Each fascia board must be attached with minimum of six 1/4" - 20 x 4" bolts with fender washers and locknuts on the backside.
3. The suggested maximum distance between lateral supports is 10".
4. Plywood top must be 3/4" thick.
5. The platform length can be dimensioned to fit one or multiple front loading compact laundry units.
6. The platform must be firmly secured, at least at two points, to an adjacent wall.
7. Place the front loading compact laundry unit(s) on the completed platform.
8. The front of any front loading compact laundry unit must be less than 10" from the front of the platform including the fascia board.
9. Follow the Installation Instructions shipped with your washer and/or dryer to complete the installation.



Front loading compact washer shown mounted on the wooden platform which is secured to adjacent wall

**QUESTIONS? CALL 800.GE.CARES (800.432.2737)
OR VISIT OUR WEB SITE AT: GEAPPLIANCES.COM**



For answers to your GE Profile™ Series or GE Appliances product questions, visit our website at geappliances.com or call GE Answer Center® Service, 800.626.2000.



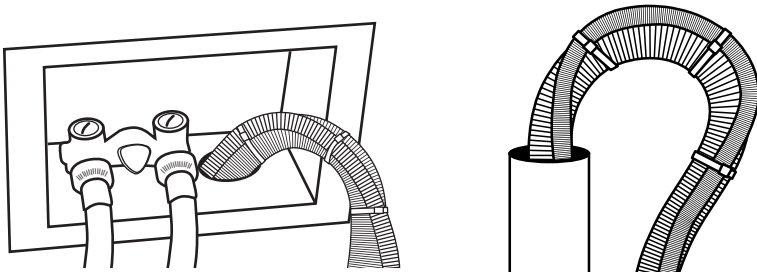
Specification Revised 4/19

GFT14ESSMWW

GE® 4.1 Cu.Ft. Stainless Steel Capacity 24" Ventless Condenser Frontload Electric Dryer

DRAINING WATER OUT OF THE DRYER

- Two options are available to drain the water out.
 - Pump to a removeable water tank in the dryer.
 - Drain directly out of unit into a standpipe or washstand through the included drain hose.
- The dryer drain hose and wire ties are included.
- You must have a standpipe available to drain into.
- Your standpipe or washstand should be 36-58" off the ground or platform to accommodate both washer and dryer drains in all configurations.
- The dryer drain hose can drain alongside the washer hose. Do not push either drain hose into the standpipe any further than 4 inches. Pushing the drain hose further in the standpipe can cause leaking.
- For complete information, see the installation instructions packed with your dryer.



GFT14ESSMWW

GE® 4.1 Cu.Ft. Stainless Steel Capacity 24" Ventless Condenser Frontload Electric Dryer

FEATURES AND BENEFITS

Ventless condenser dryer – Can be installed conveniently in a closet, placed under a counter or stacked in a corner without the need to vent externally

Stainless steel drum – Resists rust and helps protect clothes

HE Sensor Dry with dual thermistors – Continually monitors moisture and temperature to prevent clothing wear and tear due to over-drying and inconsistent heat

Electronic touch controls – Enjoy easy operation and cleanability with streamlined controls

Damp Alert – Alerts you when clothes are the ideal dampness for ironing, for perfectly wrinkle-free results

Extended Tumble – Tumble clothes without heat to help prevent creasing and wrinkling

Sanitize cycle – This option reduces certain types of bacteria by 99.8%

LED dryer interior light – Find that last sock in the dryer thanks to a bright, energy-efficient and long-lasting LED light

Dryer rack – Allows tumble-free drying of items like sneakers and stuffed animals

Quick Dry – Quickly dries items and small loads for families on the go

Model GFT14ESSMWW – White on white

