

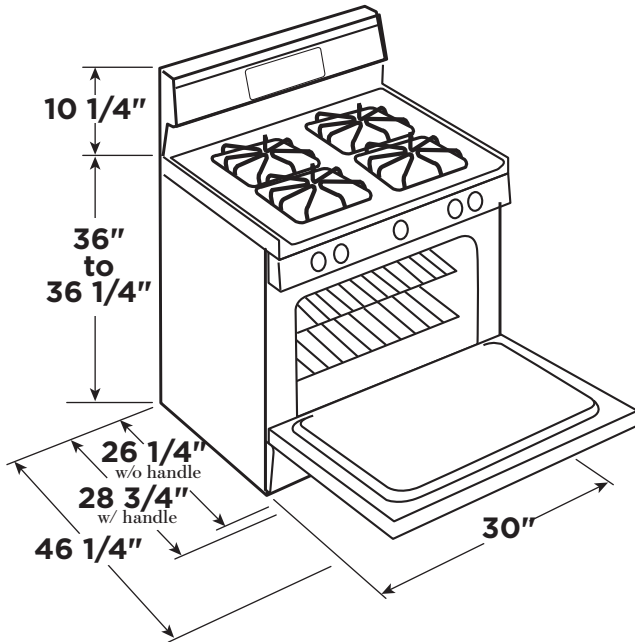
JGB635DEK

GE® Series 30" Free-Standing Gas Range

DIMENSIONS AND INSTALLATION INFORMATION

ELECTRICAL RATING: 120V, 60Hz, 15A

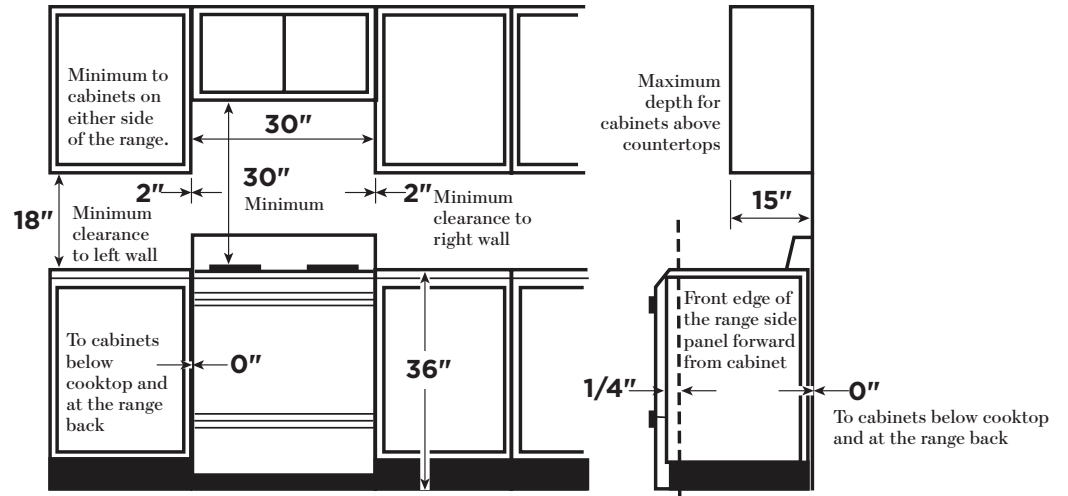
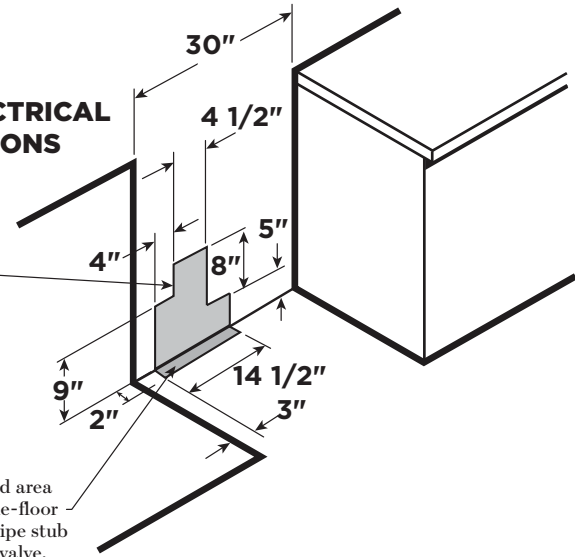
INSTALLATION INFORMATION: Before installing, consult installation instructions packed with product for current dimensional data.



GAS PIPE AND ELECTRICAL OUTLET LOCATIONS

Recommended area for 120V outlet on rear wall and area for through-the-wall connection of pipe stub and shut-off valve.

Recommended area for through-the-floor connection of pipe stub and shut-off valve.



GE APPLIANCES

For answers to your Monogram, GE Profile™ Series or GE® Series appliance questions, visit our website at geappliances.com or call GE Answer Center service, 800.626.2000.



All GE ranges are equipped with an Anti-Tip device. The installation of this device is an important, required step in the installation of the range.



JGB635DEK

GE® Series 30" Free-Standing Gas Range

FEATURES AND BENEFITS

13,000 BTU burner - Delivers a wide range of heat output ideal for most cooking requirements

Precise Simmer burner - Delicate foods don't burn with low, even heat

Self-clean oven - Cleans the oven cavity without the need for scrubbing

5.0 cu. ft. oven capacity - Cook more dishes at once

Sealed cooktop burners - Contain spills and make cleaning quick and easy

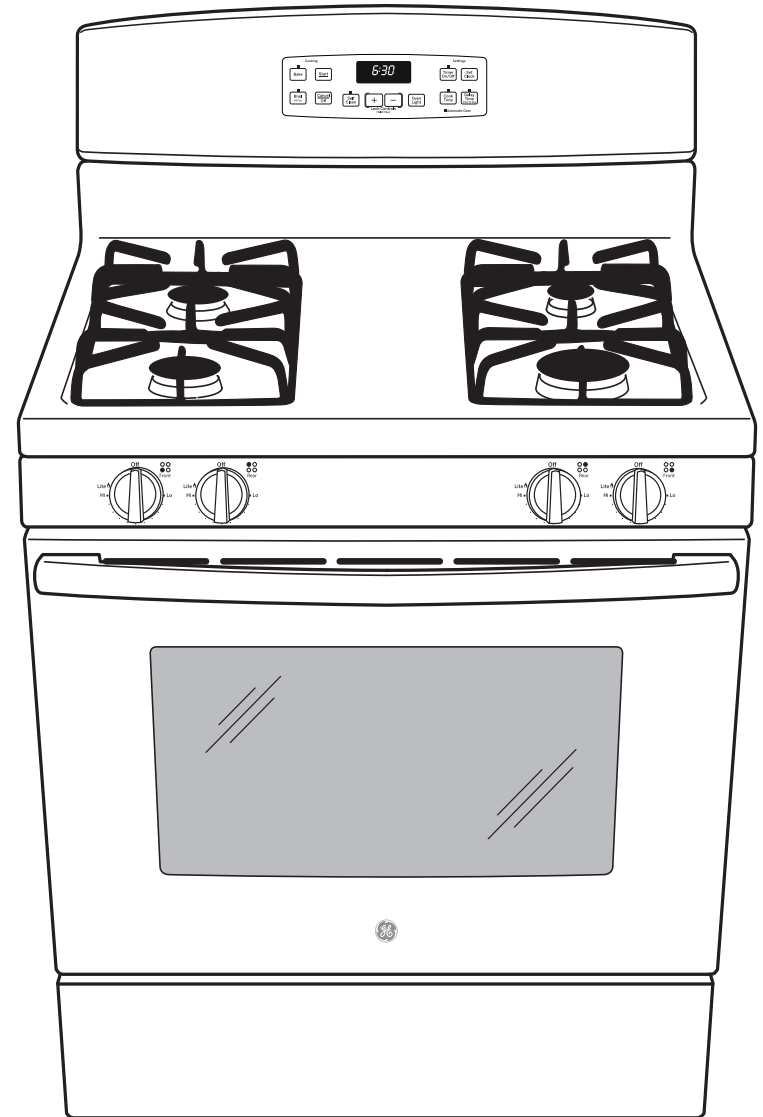
In-oven broil - Healthy meals are hassle-free with in-oven broiling

Black matte steel grates - Enjoy a high-end look with a durable, matte coating

Model JGB635DEKWW - White on white

Model JGB635DEKBB - Black on black

Model JGB635DEKCC - Bisque on bisque



GE APPLIANCES