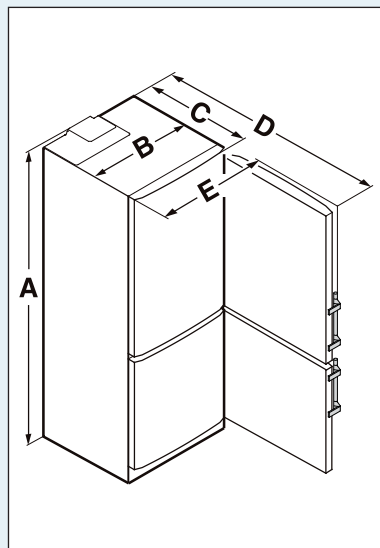


Diagrams

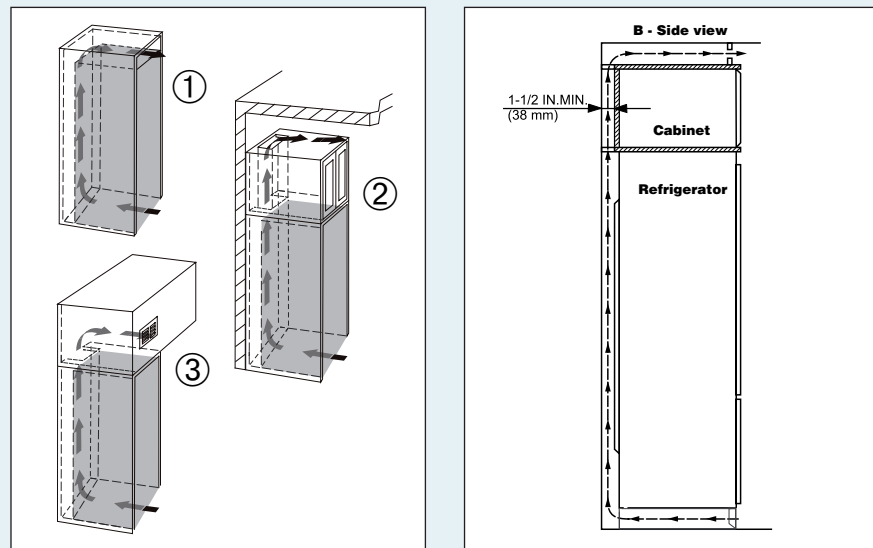
◀30"▶

Unit Dimensions



- A. 79-9/16" (2020 mm)
- B. 29-3/8" (747 mm)
- C. 24-13/16" (630 mm)
- D. 52-3/8" (1330 mm)
- E. 31-1/8" (791 mm)

Ventilation Requirements



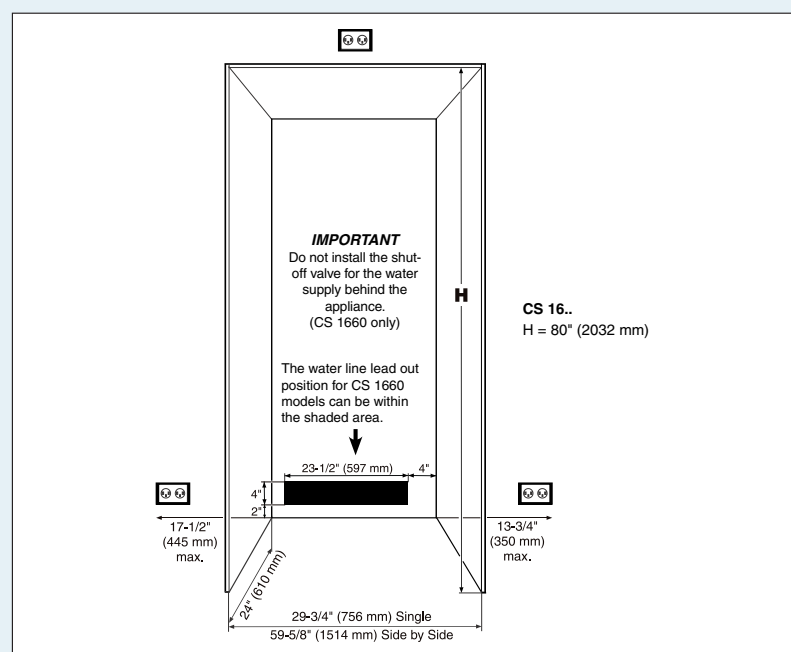
Do not restrict the air flow. The opening can either be directly over the appliance ①, above the cabinet and below the ceiling ② or through a vent installed in a soffit ③.
 The cabinet height as specified at 80" (2032 mm) will create a 1-5/16" (33 mm) gap above the appliance providing optimal air flow over the top of the appliance for its efficient operation.
 Be sure to consider the possibility of having to raise some of the leveling legs in order to level the appliance when installing. If you adjust the height of the appliance - it will effectively reduce air flow. Therefore leave yourself some room for adjustment.

IMPORTANT

The section between the freezer door and the floor must not be covered.

The refrigerator is designed to allow proper air flow when the appliance is installed up against the wall. A minimum space of 1 1/2" is required behind the cabinet when venting above an upper cabinet which is installed flush to the top of the appliance.

Cabinet Opening Dimensions



The appliance can be used freestanding or semi built-in. If semi built-in, consider the cabinet opening dimensions.

The power cord comes out of the appliance top. The location of the electrical outlet can be within a radius of 90 inch from the appliance top center.



Liebherr CBS 1661
 Freestanding/Semi Built-in



LIEBHERR
 Quality, Design and Innovation

Freestanding/Semi Built-in

◀30"▶

The **CBS 1661** is the perfect solution for when your kitchen calls for a 30" unit. The CBS 1661 includes unique features such as BioFresh technology, which helps food retain their healthy vitamins, aroma and appetizing appearance significantly longer than in conventional refrigerators. Energy efficient LED lighting takes a starring role by illuminating the main compartment, and unique integrated LED lights sit on the bottom of the refrigerator door to shine down into freezer drawers when opened. Features such as a foldable glass shelf, gallon holders to maximize space, and stainless back wall make the interior of the unit as appealing as the beautiful exterior's ergonomic handles, beveled edges, and easy-to-clean SmartSteel finish.

Possible Side-by-Side configuration
SBS 32S2: CBS 1661 and CBS 1660



Freestanding/Semi Built-in

Energy consumption

in 365 days kWh
 Estimated Yearly Energy Cost in US \$

Capacity

Total capacity cu.ft. (l)
 Refrigerator comp. cu.ft. (l)
 BioFresh comp. cu.ft. (l)
 NoFrost Freezer comp. cu.ft. (l)

Shipping weight lbs. (kg)

Climate rating

Sound rating dB(A)

Ice cube output lbs. (kg) / 24h

Ice cube stock lbs. (kg)

Door hinges

Outside dimensions

in inches (cm) H/W/D

Cut out dimensions

in inches (cm) H /W/D

Energy supply

Voltage V/Hz

CBS 1661 Premium



488

59*

14.9 (424)

10.7 (303)

3.7 (103)

4.3 (121)

277.8 (126)

SN-T

40**

3.1 (1.4)

4.4 (2.0)

left, reversible

79 9/16"/29 9/16"/24 13/16" (202/75/63)

80"/29 3/4"/24" (203.2/75.6/61)

115/60

* Energy Cost will depend on utility rates and use. Estimated energy cost based on a national average electricity cost of 12 cents per kWh.

** Noise output – according to EN 60704-3

Features

◀30"▶



German Engineering: Our superior products offer premium quality, cutting edge design and innovative features that fit your busy lifestyle. Exclusive components and materials, along with the latest production processes, ensure energy efficiency and performance for years to come.



Energy Star: Liebherr refrigerators help produce less energy waste and greenhouse gas emissions with the goal of having the least damaging effect on the environment, while offering solutions that help consumers conserve energy.



BioFresh: BioFresh guarantees the perfect climate for super-long-term freshness. Each drawer can be used individually and provides ideal humidity – HydroSafes with high humidity or DrySafes with low humidity – for a versatile storage solution of meats and cheeses as well as fruits and vegetables.



DuoCooling: The dual refrigeration system creates optimal conditions in both the refrigerator and freezer which lengthens the shelf life of food items for a healthier lifestyle. This technology also preserves the flavor and texture of foods since there is no transfer of unwanted air, moisture or food aroma between the two compartments.



SuperCool/SuperFrost: Simply quick chill and/or freeze fresh groceries to preserve optimum freshness and seal in flavors, textures as well as maintain essential vitamins and minerals.



SuperQuiet: Noise is kept to a minimum with virtually silent, speed controlled compressors and a low-noise cooling circuit; while also ensuring exact performance, energy efficiency and SuperQuiet operation.



SoftSystem: Unique to Liebherr is our patented SoftSystem, often used in high-end cabinetry, ensures that the door closes gently, even when fully loaded. Plus the door opening angle can be reduced to 90 degrees allowing for more design options within kitchen décor.



SmartSteel: Available on select freestanding/semi built-in models, SmartSteel significantly reduces the visibility of fingerprints and is very easy to clean and scratch resistant. All that is required to maintain this beautiful exterior is the wipe of a clean dry or damp cloth.



Stainless back wall: The high-quality, stainless back wall is both eye-catching and highly functional. The stainless wall prevents foods from freezing up against the evaporator, ensuring that the back of the refrigerator is always drip and ice-free. Ventilation slits also help guarantee optimum temperature distribution.