

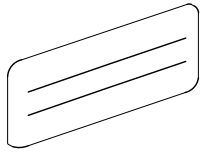
ASSEMBLY INSTRUCTIONS

MODEL : B4900-K-HBFB/B4900-KQ-RAIL KING BED

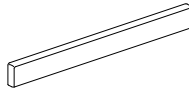
Parts supplied for assembly

BOX 1 - BOX OF HEADBOARD/FOOTBOARD

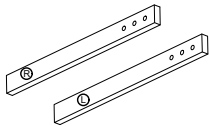
Part List



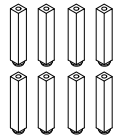
Head Board
A X 1 Piece



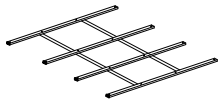
Foot Board &
JCBB M8 X 25
B X 1 Piece



Head Leg R&L
JCBB M8 X 20
C X 2 Pieces



Slat Support
With Adjuster
E X 8 Pieces



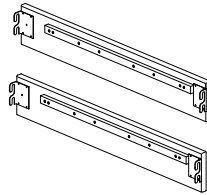
Slat
F X 4 Pieces



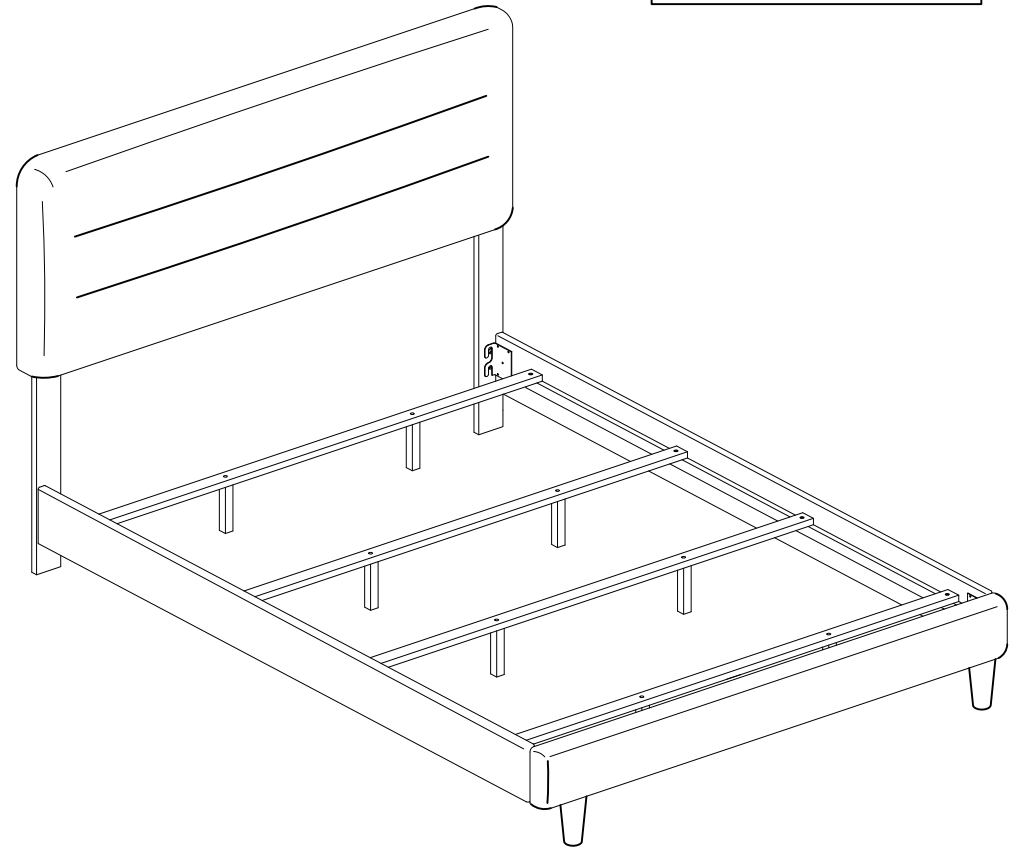
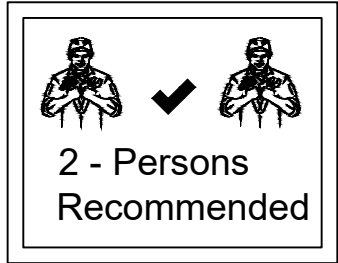
Bunfoot
G X 2 Pieces

BOX 2 - BOX OF SIDE RAIL

Part List



Side Rail
D X 2 Pieces

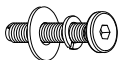


ASSEMBLY COMPLETED

Hardware supplied for assembly

BOX 1 - BOX OF HEADBOARD/FOOTBOARD

Hardware List



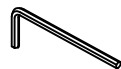
JCBB M8 x 50
S&F Washer
1 X 6 Pieces



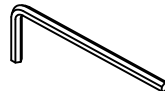
JCBC M6 x 30
2 X 8 Pieces



CSK M4 x 32
3 X 8 Pieces

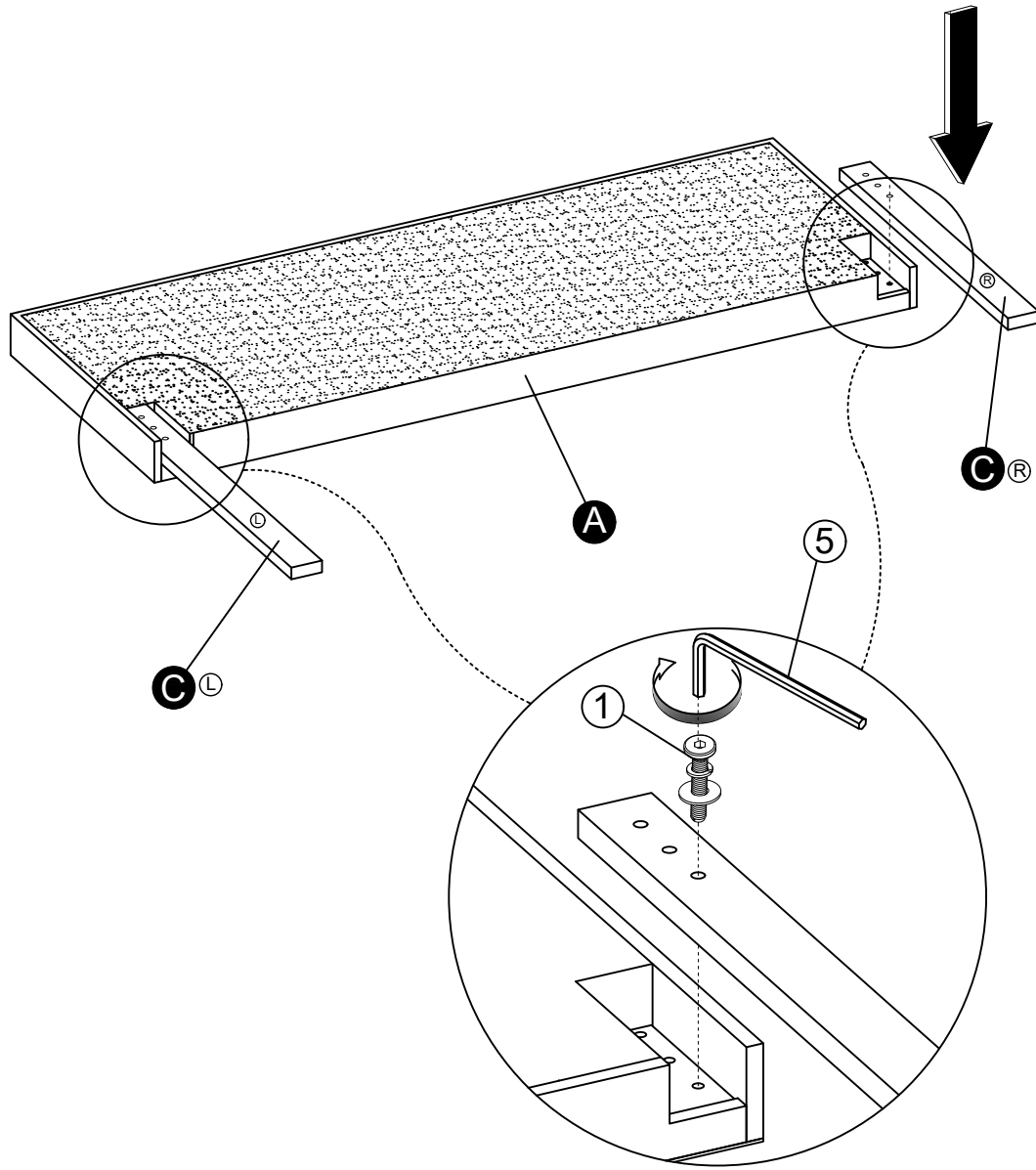


M4 Allen Key
4 X 1 Piece



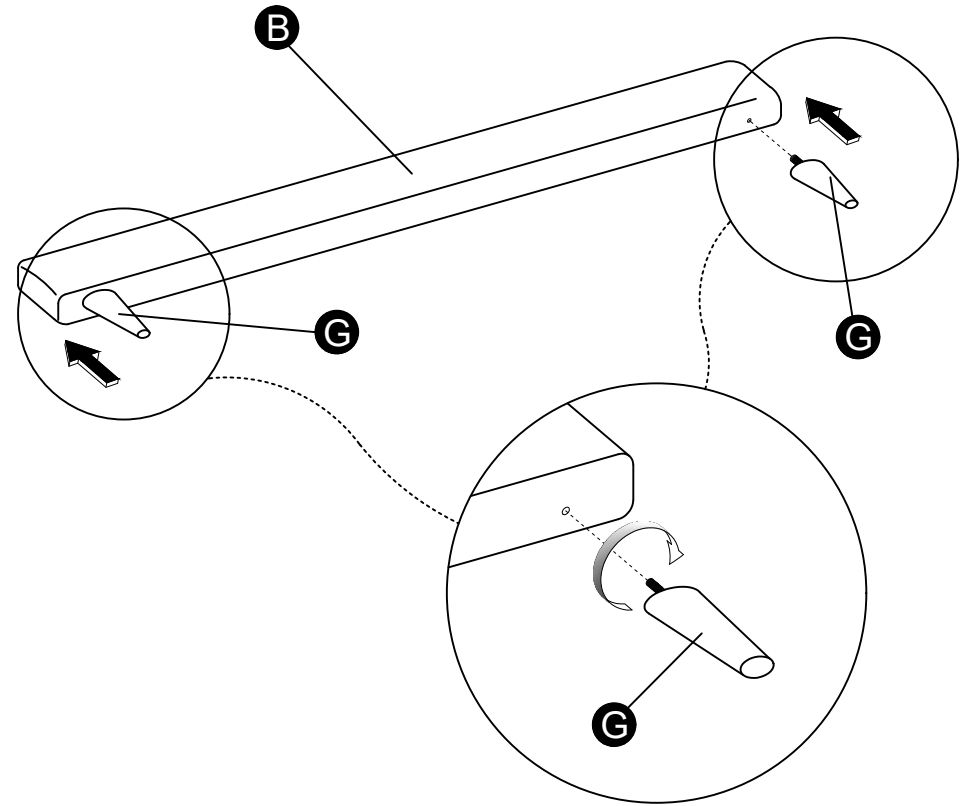
M5 Allen Key
5 X 1 Piece

STEP 1

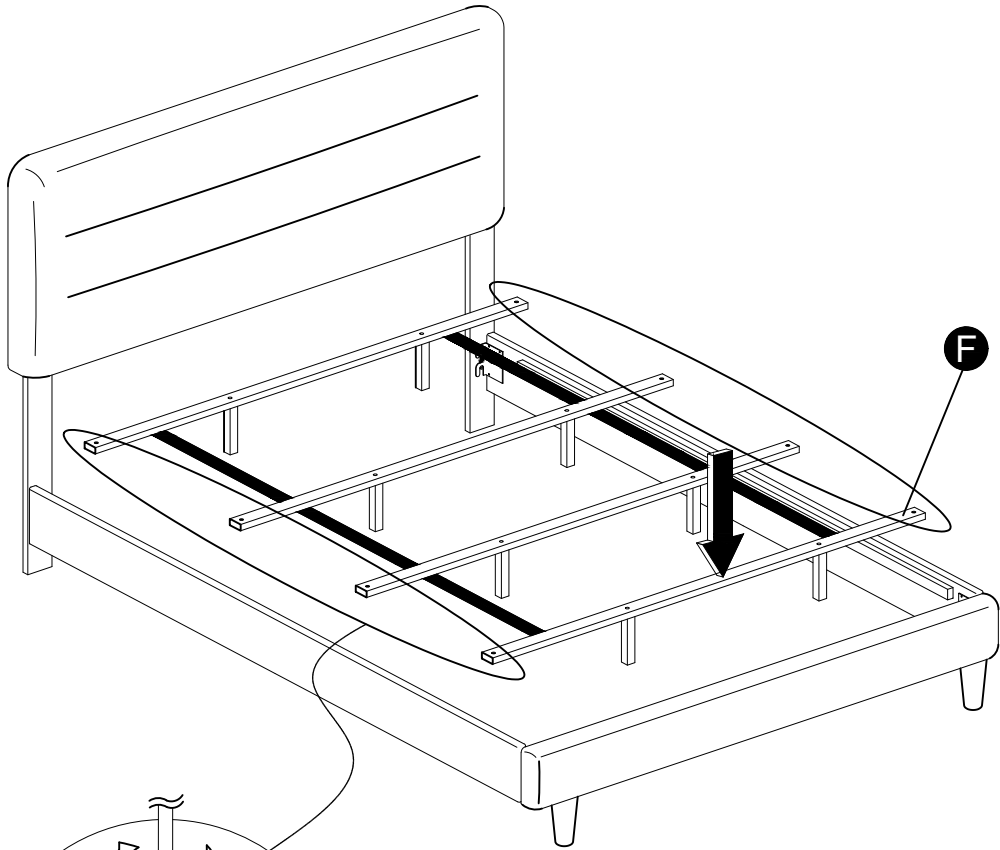


① X 6 Pieces	⑤ X 1 Piece

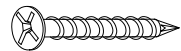
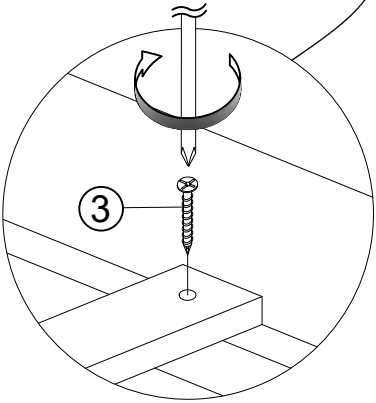
STEP 2



STEP 5



F



3 X 8 Pieces

STEP 6

