

# BERTAZZONI PROFESSIONAL SERIES

## 30" INDUCTION COOKTOP

P304IAE

### HIGHLIGHTS

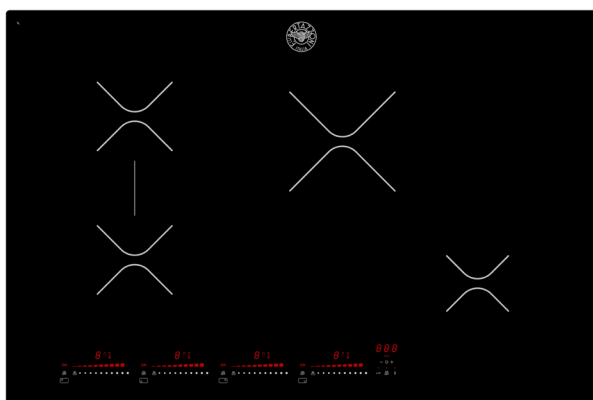
- The touch-through-glass controls provide instantaneously accurate feedback and an intuitive user experience.
- Heating zones of up to 3700 W reduce the time-to-boil by over 50% vs. conventional cooktops.
- The enormously efficient 6<sup>th</sup> generation induction technology represents the utmost in energy efficiency.
- Digitally controlled sensors and residual heat indicators ensure a highly efficient integrated safety system.
- The bridge element zone accommodates a large variety of cookware shapes and cooking needs.
- The smooth and wear resistant ceramic glass surface was designed with the ultimate ease-of-cleaning in mind.

### FEATURES

Induction zones	4
Back right	Ø 11" 1/4 - 2600 W (booster 3300W-3700W)
Front right	Ø 9" 1/4 - 2100 W (booster 2600W-3700W)
Back left	Ø 8" 3/4 x 7 1/8 - 2100 W (booster 2600-3700)
Front left	Ø 8" 3/4 x 7 1/8 - 2100 W (booster 2600-3700)
Maintop	bevelled ceramic glass
Worktop control	touch
Timer	timed cooking function for each heating zone
Power levels	14
Bridge Function	1 bridge cooking zone
Stop & Recall function	yes
Auto-Stop	yes
Auto-Power	yes
Residual Heat indicator	yes

### TECHNICAL SPECIFICATIONS

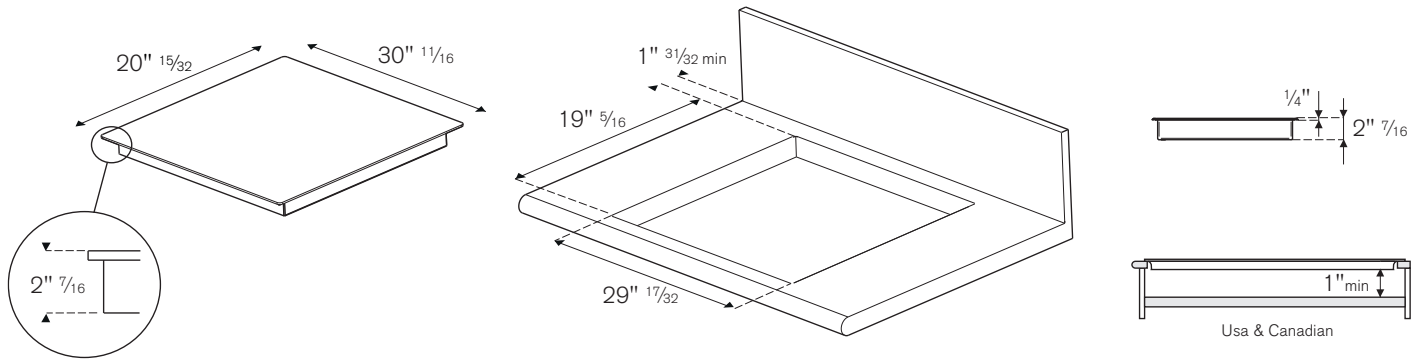
Electrical Requirements	208/240 Vac, 50/60 Hz
Max Amp usage, power rating	7400 W, 32 A
Certification	c UL us
Warranty	2 years parts and labor



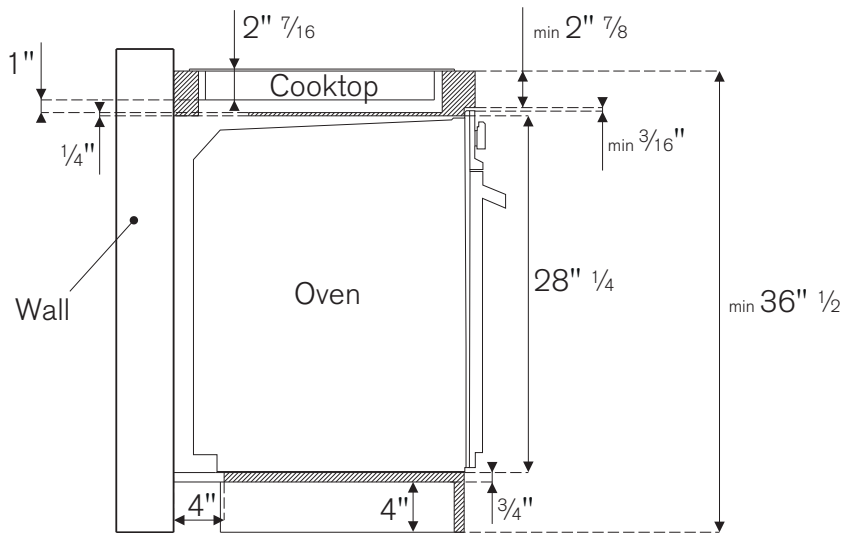
TO COOK BEAUTIFULLY  
WWW.BERTAZZONI.COM

# INSTALLATION INSTRUCTIONS

## P304IAE



## INDUCTION COOKTOP AND 30" BUILT-IN OVEN COMBINATION



This product requires the installation of a partition

Bertazzoni recommends to operate the appliance after it has been installed in a cabinet.

The kitchen cabinets shall be made of materials capable of withstanding temperatures at least 117°F (65°C) above room temperature in order to avoid possible damage to the cabinets during appliance usage.

**Disclaimer:** while every effort has been made to insure the accuracy of the information contained in this brochure, Fratelli Bertazzoni reserves the right to change any part of the information at any time without notice.

Fratelli Bertazzoni, Bertazzoni and the winged wheel brand icon are registered trademarks of Bertazzoni Spa.