

CAMINO PRO

Installation Instructions

Use and Care Information

Instructions d'installation

Utilisez et d'entretien

Instrucciones de instalación

Información de uso y cuidado

CAPR36SS600
CAPR36SS1200
CAPR48SS1200

READ AND SAVE THESE INSTRUCTIONS BEFORE YOU START INSTALLING THIS RANGEHOOD

WARNING: - TO REDUCE THE RISK OF A RANGE TOP GREASE FIRE:

- a) Never leave surface units unattended at high settings. Boilovers cause smoking and greasy spillovers that may ignite. Heat oils slowly on low or medium setting.
- b) Always turn hood ON when cooking at high heat or when flambeing food (i.e. Crepes Suzette, Cherries Jubilee, Peppercorn Beef Flambé).
- c) Clean ventilating fans frequently. Grease should not be allowed to accumulate on fan or filter.
- d) Use proper pan size. Always use cookware appropriate for the size of the surface element.

WARNING: - TO REDUCE THE RISK OF INJURY TO PERSONS IN THE EVENT OF A RANGE TOP GREASE FIRE, OBSERVE THE FOLLOWING*:

- a) **SMOTHER FLAMES** with a close-fitting lid, cookie sheet, or metal tray, then turn off the burner. **BE CAREFUL TO PREVENT BURNS.** If the flames do not go out immediately **EVACUATE AND CALL THE FIRE DEPARTMENT.**
- b) **NEVER PICK UP A FLAMING PAN** - You may be burned.
- c) **DO NOT USE WATER**, including wet dishcloths or towels - a violent steam explosion will result.
- d) Use an extinguisher **ONLY** if:
 - 1. You know you have a Class ABC extinguisher, and you already know how to operate it.
 - 2. The fire is small and contained in the area where it started.
 - 3. The fire department is being called.
 - 4. You can fight the fire with your back to an exit.

* Based on "Kitchen Firesafety Tips" published by NFPA

WARNING - TO REDUCE THE RISK OF FIRE OR ELECTRIC SHOCK, do not use this fan with any solid-state speed control device.

WARNING - TO REDUCE THE RISK OF FIRE, ELECTRICAL SHOCK, OR INJURY TO PERSONS, OBSERVE THE FOLLOWING:

- 1. Use this unit only in the manner intended by the manufacturer. If you have any questions, contact the manufacturer.
- 2. Before servicing or cleaning unit, switch power off at service panel and lock the service disconnecting means to prevent power from being switched on accidentally. When the service disconnecting means cannot be locked, securely fasten a prominent warning device, such as a tag, to the service panel.

CAUTION: For General Ventilating Use Only. Do Not Use To Exhaust Hazardous or Explosive Materials and Vapors.

WARNING - TO REDUCE THE RISK OF FIRE, ELECTRICAL SHOCK, OR INJURY TO PERSONS, OBSERVE THE FOLLOWING:

- 1. Installation Work And Electrical Wiring Must Be Done By Qualified Person(s) In Accordance With All Applicable Codes And Standards, Including Fire-Rated Construction.
- 2. Sufficient air is needed for proper combustion and exhausting of gases through the flue (chimney) of fuel burning equipment to prevent backdrafting. Follow the heating equipment manufacturer's guideline and safety standards such as those published by the National Fire Protection Association (NFPA), and the American Society for Heating, Refrigeration and Air Conditioning Engineers (ASHRAE), and the local code authorities.

3. **When cutting or drilling into wall or ceiling, do not damage electrical wiring and other hidden utilities.**
4. **Ducted fans must always be vented to the outdoors.**

ALL WALL AND FLOOR OPENINGS WHERE THE RANGEHOOD IS INSTALLED MUST BE SEALED.

This rangehood requires at least 24" of clearance between the bottom of the rangehood and the cooking surface or countertop. This hood has been approved by UL at this distance from the cooktop.

This minimum clearance may be higher depending on local building codes. For gas cooktops and combination ranges, a minimum of 30" is recommended and may be required.

Overhead cabinets on both sides of this unit must be a minimum of 18" above the cooking surface or countertop. Consult the cooktop or range installation instructions given by the manufacturer before making any cutouts.

MOBILE HOME INSTALLATION The installation of this rangehood must conform to the Manufactured Home Construction and Safety Standards, Title 24 CFR, Part 3280 (formerly Federal Standard for Mobile Home Construction and Safety, Title 24, HUD, Part 280). See Electrical Requirements.

VENTING REQUIREMENTS

Determine which venting method is best for your application. Ductwork can extend either through the wall or the roof.

The length of the ductwork and the number of elbows should be kept to a minimum to provide efficient performance. The size of the ductwork should be uniform. Do not install two elbows together. Use duct tape to seal all joints in the ductwork system. Use caulking to seal exterior wall or floor opening around the cap.

Flexible ductwork is not recommended. Flexible ductwork creates back pressure and air turbulence that greatly reduces performance.

Make sure there is proper clearance within the wall or floor for exhaust duct before making cutouts. Do not cut a joist or stud unless absolutely necessary. If a joist or stud must be cut, then a supporting frame must be constructed.

WARNING - To Reduce The Risk Of Fire, Use Only Metal Ductwork.

CAUTION - To reduce risk of fire and to properly exhaust air, be sure to duct air outside – Do not vent exhaust air into spaces within walls or ceilings or into attics, crawl spaces, or garages.



WARNING

- Venting system **MUST** terminate outside the home.
- **DO NOT** terminate the ductwork in an attic or other enclosed space.
- **DO NOT** use 4" laundry-type wall caps.
- Flexible-type ductwork is not recommended.
- **DO NOT** obstruct the flow of combustion and ventilation air.
- Failure to follow venting requirements may result in a fire.



WARNING

- Electrical ground is required on this rangehood.
- If cold water pipe is interrupted by plastic, nonmetallic gaskets or other materials, DO NOT use for grounding.
- DO NOT ground to a gas pipe.
- DO NOT have a fuse in the neutral or grounding circuit. A fuse in the neutral or grounding circuit could result in electrical shock.
- Check with a qualified electrician if you are in doubt as to whether the rangehood is properly grounded.
- Failure to follow electrical requirements may result in a fire.

State of California Proposition 65 Warning (US only)

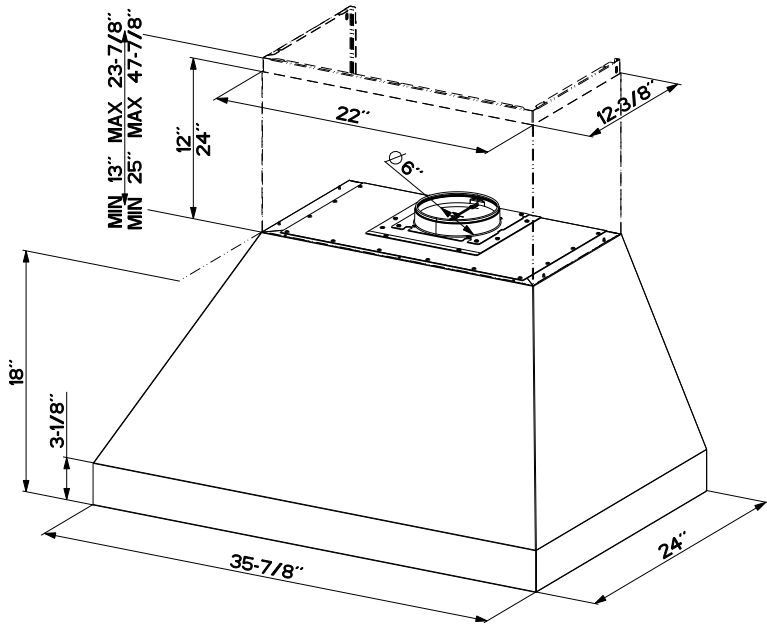
WARNING

This product contains chemicals known to the State of California to cause cancer and birth defects or other reproductive harm.

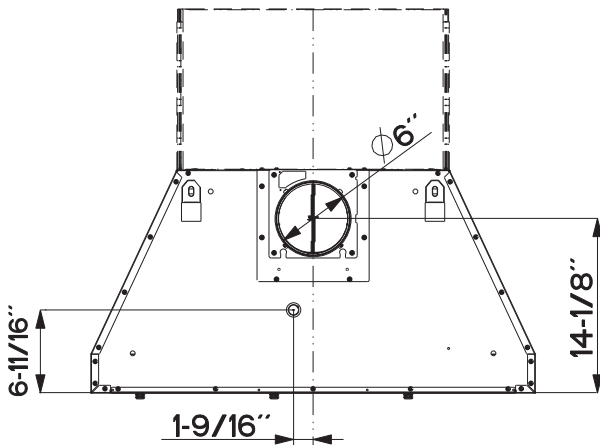
For more information go to www.P65Warnings.ca.gov

Note: The hood needs to be installed on a separate electrical circuit.

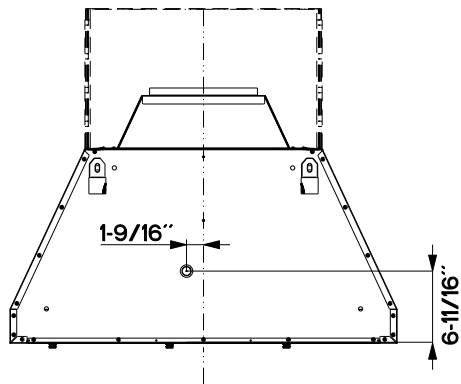
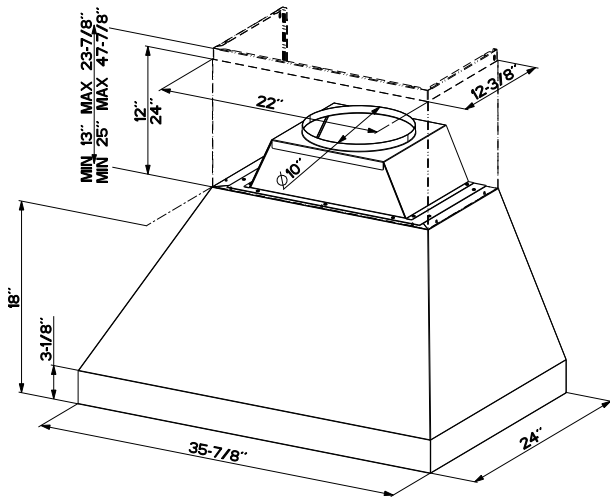
1 MOTOR - RANGEHOOD DIMENSIONS 36"



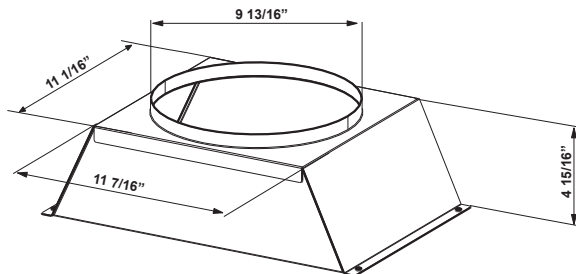
1 MOTOR RANGEHOOD REAR VENTING



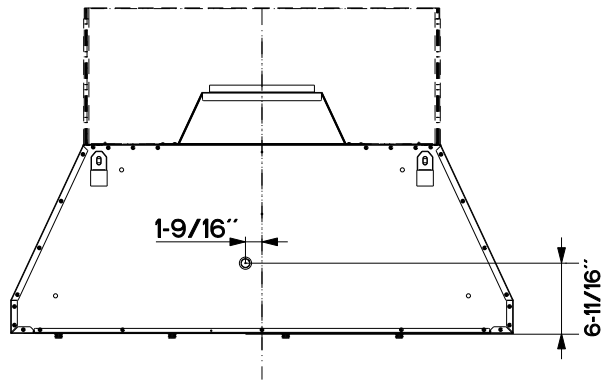
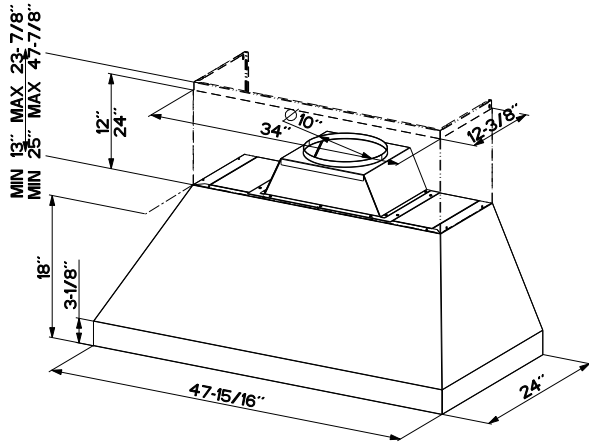
2 MOTOR - RANGEHOOD DIMENSIONS 36"



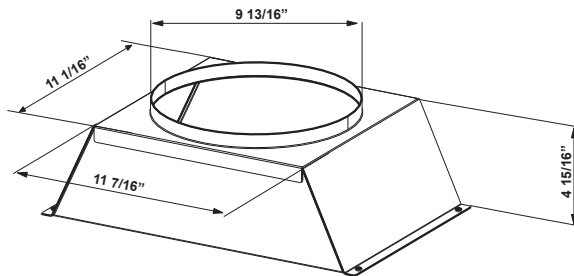
10" DUCT TRANSITION FOR 2 MOTOR RANGEHOOD 36"



2 MOTOR - RANGEHOOD DIMENSIONS 48"



10" DUCT TRANSITION FOR 2 MOTOR RANGEHOOD 48"



MAIN PARTS 1 MOTOR RANGEHOOD 36"

Components

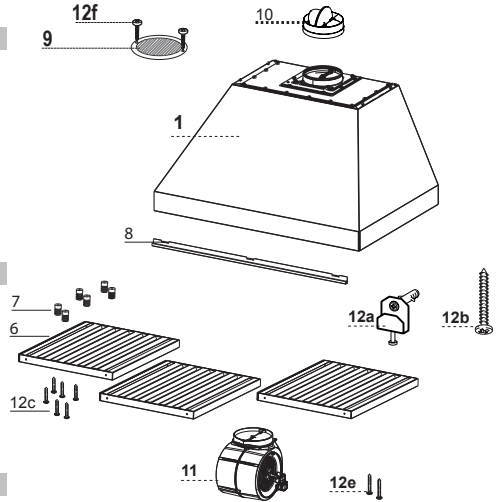
Ref.	Qty.	Product Components
1	1	Hood Body, complete with: Controls, Light
6	3	Grease filters
7	6	Filter knobs
8	1	Grease rail
9	1	Recirculation Vent Grill
10	1	Damper \varnothing 5 7/8"
11	1	Blower

Ref. Qty. Installation Components

12a	2	Wall plug
12b	4	Screws 3/16"x1 15/16"
12c	6	Grease filters screws (3/16"x3/8")
12e	2	Motor fix screws (3/16"x 3/8")
12f	2	Screws 1/8"x 3/8" (for Recirculation Vent Grill mounting)

Qty. Documentation

1	Instruction Manual
---	--------------------



MAIN PARTS 2 MOTOR RANGEHOOD 36"

Components

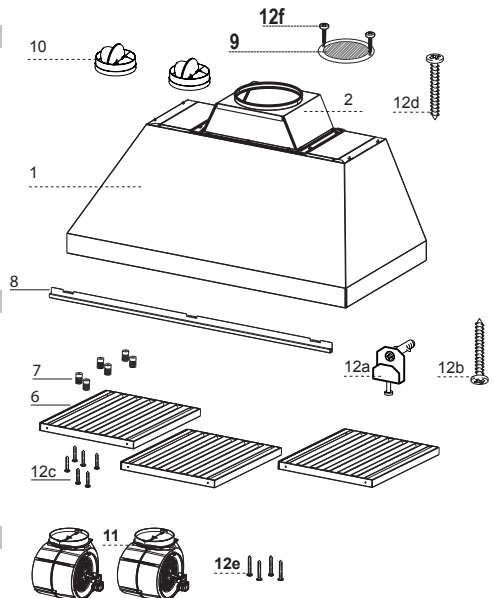
Ref.	Qty.	Product Components
1	1	Hood Body, complete with: Controls, Light
2	1	Duct transition
6	3	Grease filters
7	6	Filter knobs
8	1	Grease rail
9	1	Recirculation Vent Grill
10	2	Damper \varnothing 5 7/8"
11	2	Blower

Ref. Qty. Installation Components

12a	2	Wall plug
12b	4	Screws 3/16"x1 15/16"
12c	6	Grease filters screws (5/32"x5/16")
12d	4	screws 1/8"x1/4"
12e	4	Motor fix screws (3/16"x3/8")
12f	2	Screws 1/8"x 3/8" (for Recirculation Vent Grill mounting)

Qty. Documentation

1	Instruction Manual
---	--------------------



MAIN PARTS 2 MOTOR RANGEHOOD 48"

Components

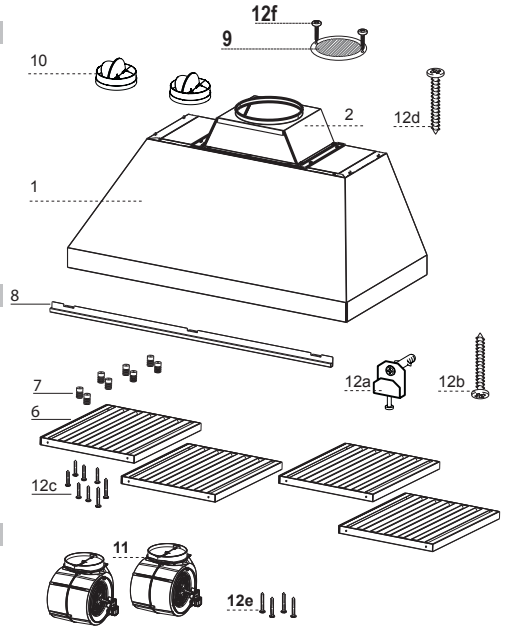
Ref.	Qty.	Product Components
1	1	Hood Body, complete with: Controls, Light
2	1	Duct transition
6	4	Grease filters
7	8	Filter knobs
8	1	Grease rail
9	1	Recirculation Vent Grill
10	2	Damper \varnothing 5 7/8"
11	2	Blower

Ref. Qty. Installation Components

12a	2	Wall plug	
12b	4	Screws 3/16"x1 15/16"	
12c	8	Grease filters screws (5/32"x5/16")	
12d	4	screws 1/8"x1/4"	
12e	4	Motor fix screws (3/16"x 3/8")	
12f	2	Screws 1/8"x 3/8"	(for Recirculation Vent Grill mounting)

Qty. Documentation

1	Instruction Manual
---	--------------------



PARTS NEEDED

6" Round Metal Ductwork

AVAILABLE ACCESSORIES

Telescopic Chimney Duct Cover:

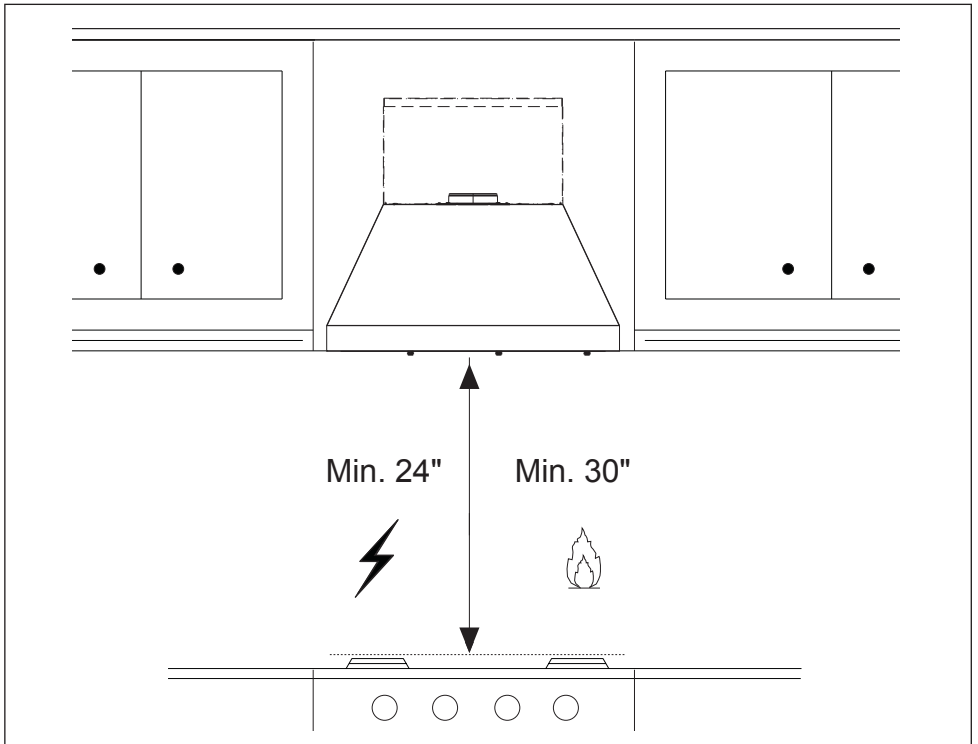
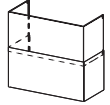
- sku#: CHIM3448 (Use with 48" Camino Pro)
- sku#: CHIM2224 (Use with 36" Camino Pro)
- sku#: CHIM2248 (Use with 36" Camino Pro)
- sku#: CHIM3424 (Use with 48" Camino Pro)

CFM Reducer Accessory Kit sku#: CFMRED

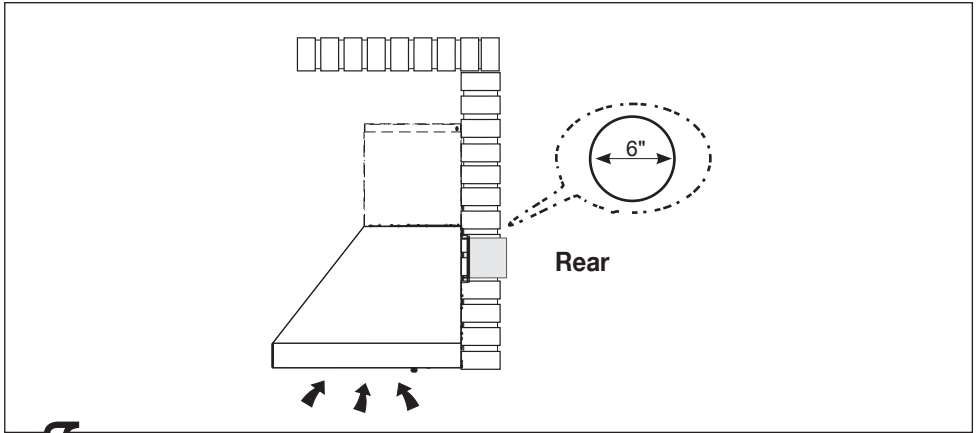
CFM Reducer Accessory Kit sku#: CFMRED-2

Activated Charcoal Filter sku #: FILTER1

Charcoal Filter Kit Washable Long Lasting sku#: FILTER1LL

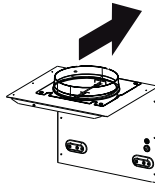
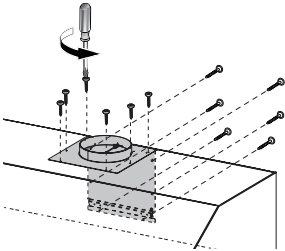


1 MOTOR RANGEHOOD REAR INFORMATION



1 MOTOR RANGEHOOD REAR DUCTED INSTALLATION

1



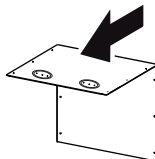
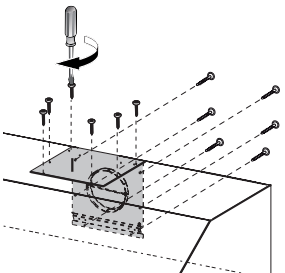
Only for the first installation

For a rear ducting installation the blower bracket needs to be unsecured by first removing the 12 screws as shown.

180°

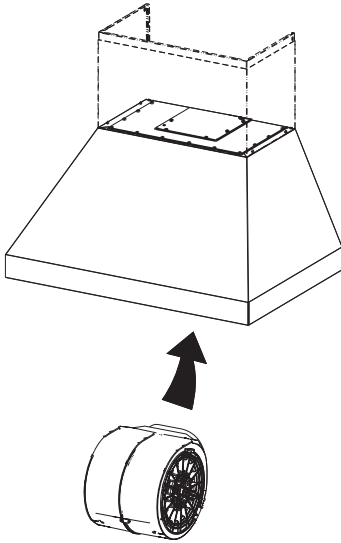
90°

Once the screws are removed, extract it from the body of the Hood and position it so the transition opening is facing to the rear wall (from the back remove and rotate 180 degrees to the left, and then flip it back 90 degrees as shown in the diagram).



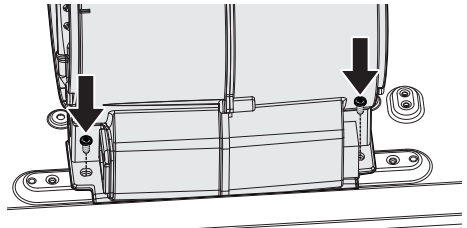
Once the blower bracket is in place reinstall the 12 screws to fasten the bracket to the Hood body.

2



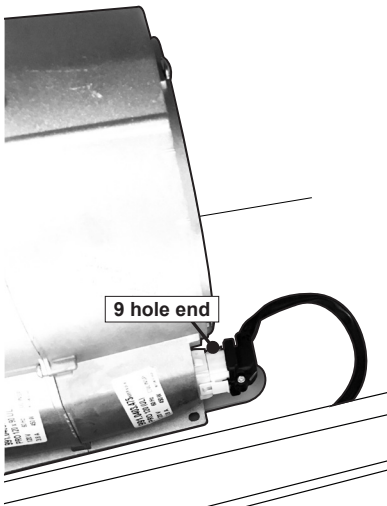
Put the motor in the hood body.

3



Install the motor into the upper of the hood using the 2 screws 12e supplied.

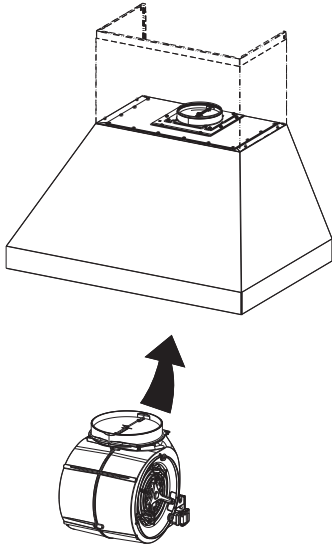
4



Connect the wire cable 9 hole end to the motor.

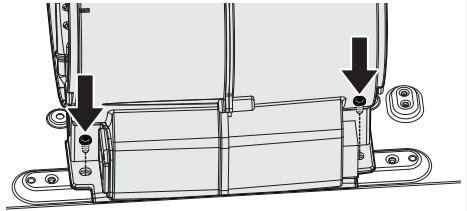
1 MOTOR RANGEHOOD TOP DUCTED INSTALLATION

1



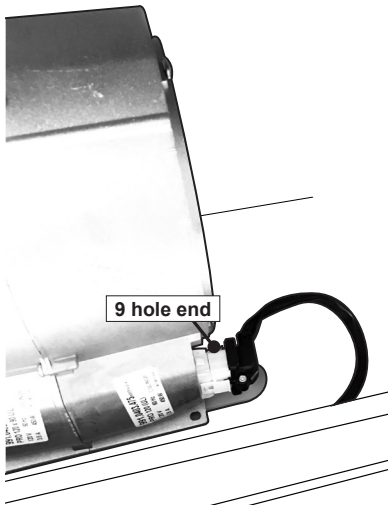
Put the motor in the hood body.

2



Install the motor into the rear of the hood using the 2 screws 12e supplied.

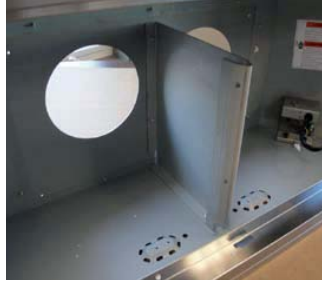
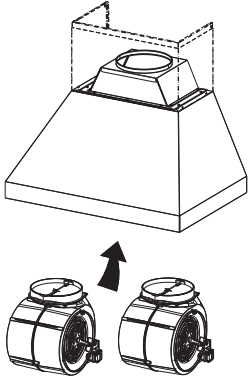
3



Connect the wire cable 9 hole end to the motor.

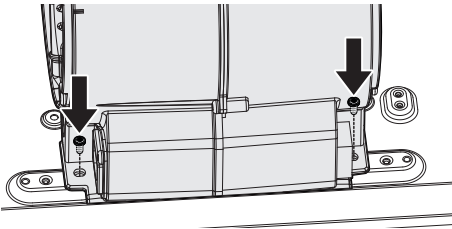
2 MOTOR RANGEHOOD TOP DUCTED INSTALLATION

1



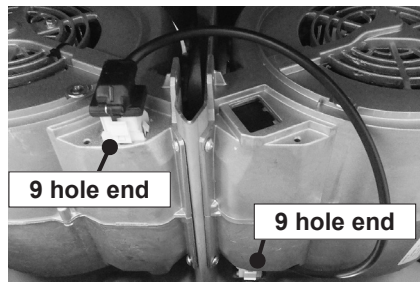
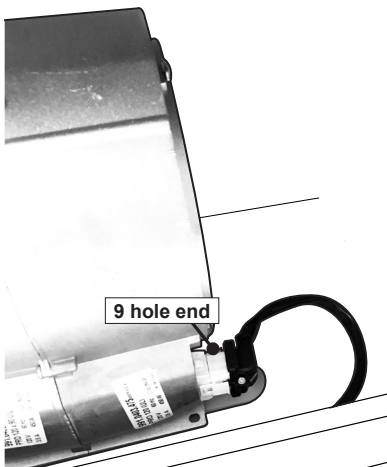
Put the 2 motors in the hood body. Inside the hood there is a blower bracket divider and the motors will be one a side.

2



Install the 2 motors into the sides of the blower bracket using the 4 screws 12e supplied.

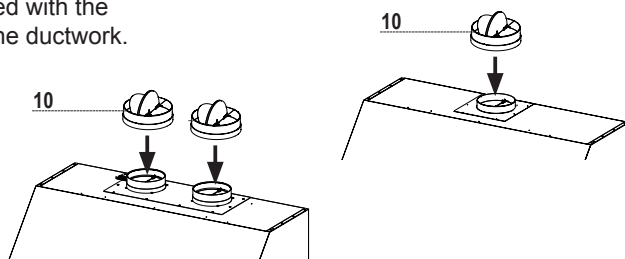
3



Connect the wire cable 9 hole end to the left motor and the other wire cable 9 hole end to the right motor.

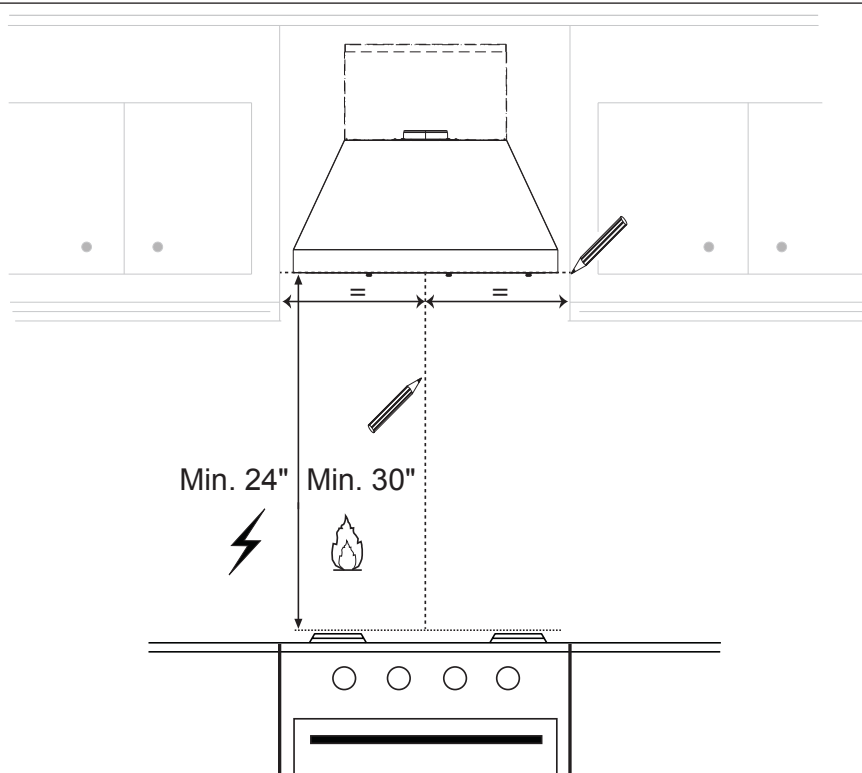
INSTALLATION INSTRUCTIONS

Install Damper that is included with the Hood before connecting to the ductwork.
One for 1 motor model.
Two for 2 motor model.



Installation Instruction for Mounting on the Wall

1

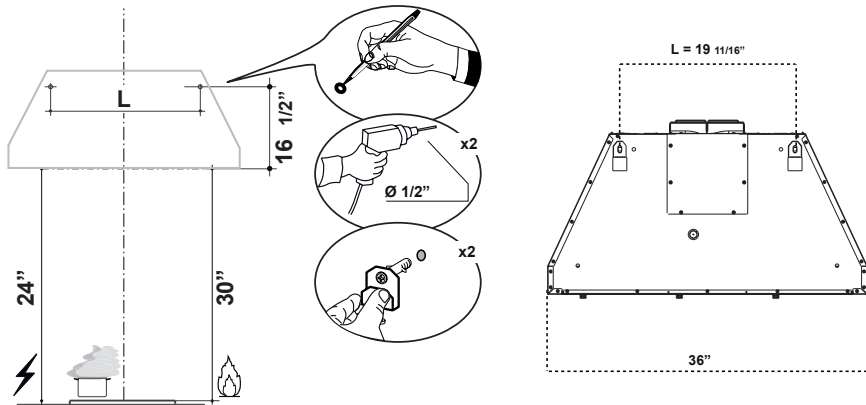


Draw a vertical line on the supporting wall as high as practical, at the center of the area in which the hood will be installed.

Draw a horizontal line at where the bottom edge of the hood will be located as indicated in the figure that is a minimum of 24" or 30" above cooking surface.

2.a

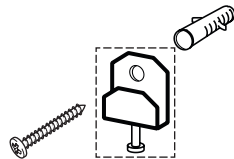
Installation for 1 Motor Rangehood



Mark the wall where indicated, 16 1/2" above the horizontal line and at L distance on the left and right of vertical line. The distance L changes for all dimension of Hood.
Insert the two wall plugs 12a in the holes as shown and fix them.

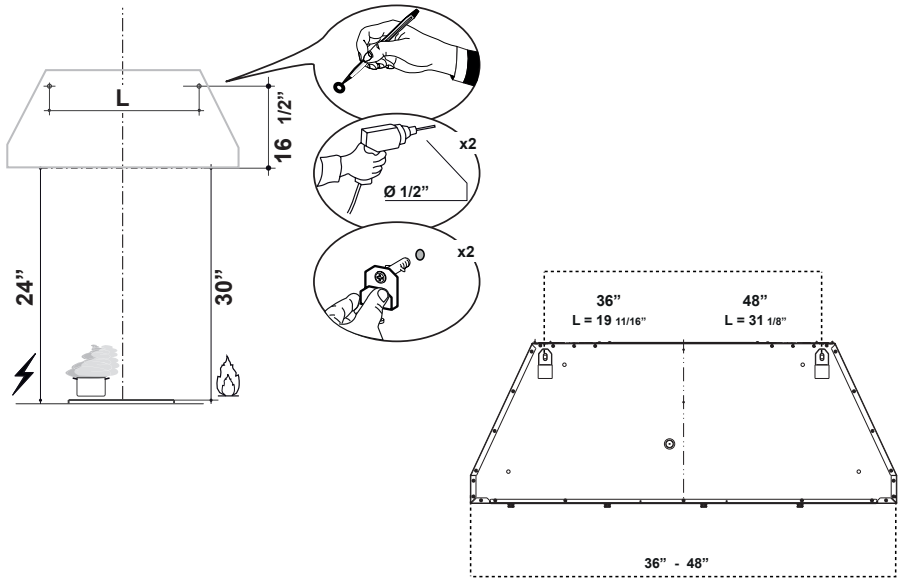


For a different type of Wall, it's possible to use only the bracket by remove the plug and the screw from the plug 12a.
Combine the bracket with specific wall plug or screw.



2.b

Installation for 2 Motor Rangehood



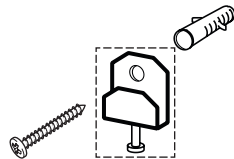
Mark the wall where indicated, 16 1/2" above the horizontal line and at L distance on the left and right of vertical line. The distance L changes for all dimension of Hood.

Insert the two wall plugs 12a in the holes as shown and fix them.

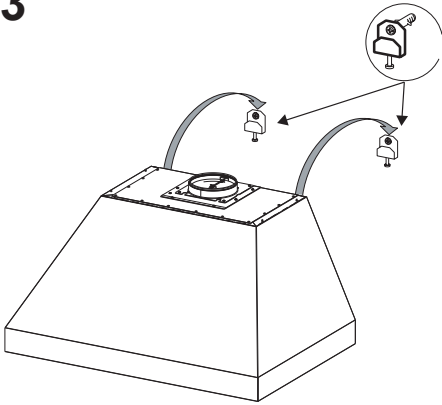


For a different type of Wall, it's possible to use only the bracket by remove the plug and the screw from the plug 12a.

Combine the bracket with specific wall plug or screw.

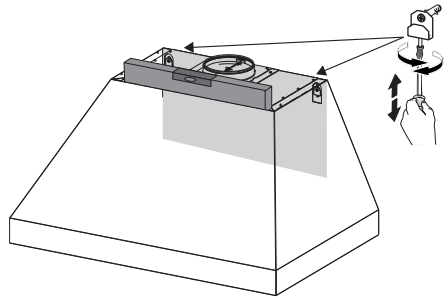


3



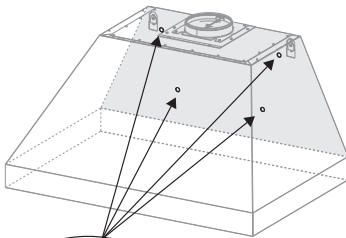
Hook the hood body onto the wall plugs 12a.

4



Use a level to insure that Fixing Bracket is level by adjusting the screws as shown in the picture.

5



Mark the wall where indicated.

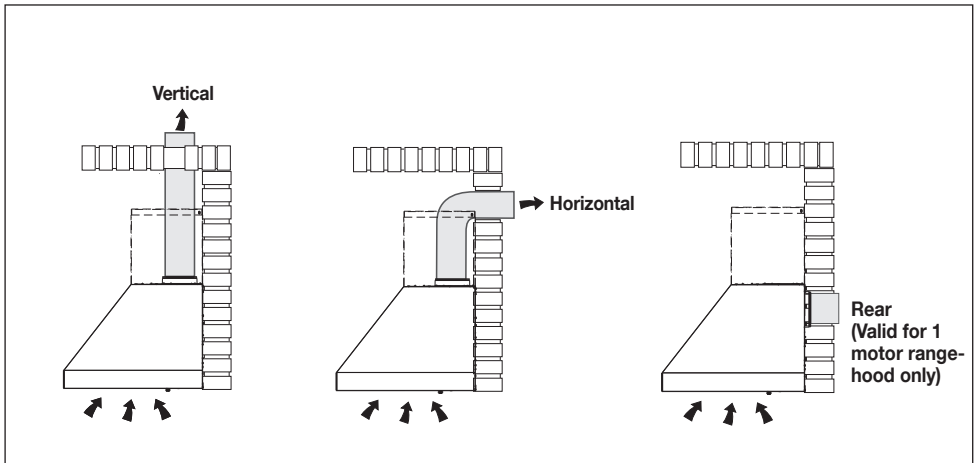
Drill directly into $\text{Ø } 5/16''$ holes at all the center points marked.

Insert the purchased wall plugs in the holes.

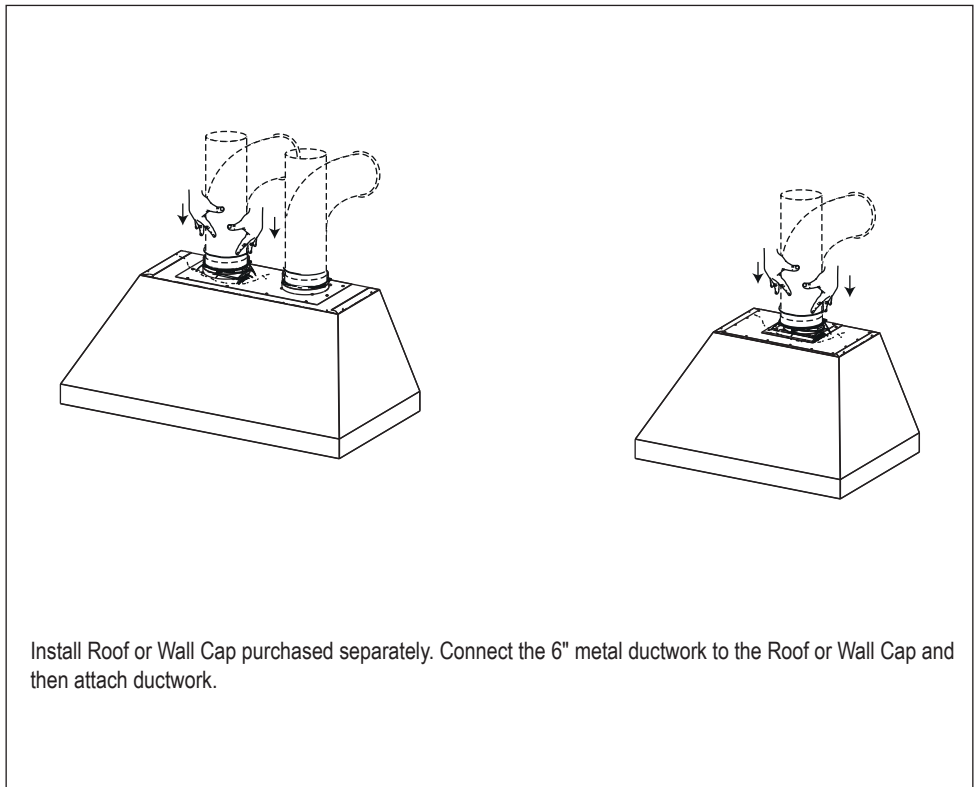
Using the remaining screws to anchor the hood in holes.

If installation uses the telescopic chimney extension, refer to the installation manual included in the Chimney Kit (CHIM3448 - CHIM2224 - CHIM2248 - CHIM3424)

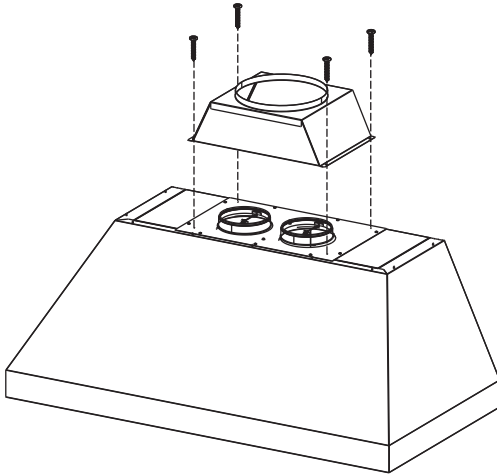
1 AND 2 MOTORS STANDARD DUCTING METHODS



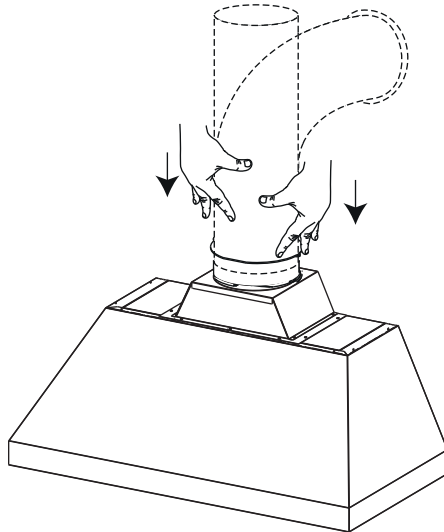
1 AND 2 MOTORS DUCTING METHODS 6"



2 MOTORS DUCTING METHODS 10"

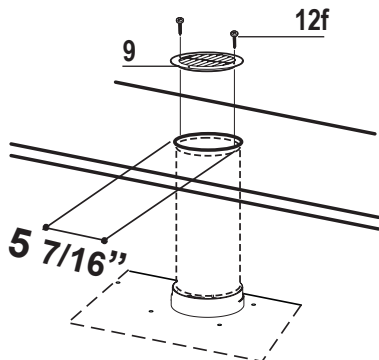


Fix the Duct transition in the hood body with 4 screws 12d.



Install Roof or Wall Cap purchased separately. Connect the 10" metal ductwork to the Roof or Wall Cap and then attach ductwork.

Non Ducted - Recirculation Option



For Non-Ducted Recirculation venting route the ductwork to a location above the hood where the discharge is vented back into the room.

Use the included Recirculation Vent Grill (**9**) to cover the opening. Secure the grill with the 2 screws (**12f**) provided in the Install Kit.

If the directional grille is not used, fit a straight tube at least 15" in length from the hood air outlet to the wall unit.

Required Activated Charcoal Filter
Accessory - sku #: FILTER1
Long Lasting Activated Charcoal Filter
Accessory - sku #: FILTER1LL
(purchased separately)



RECIRCULATION INSTRUCTIONS

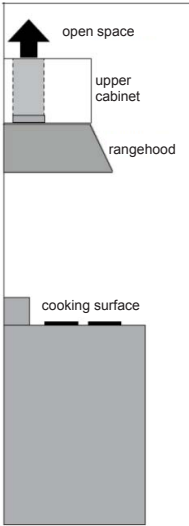


FIGURE 3A

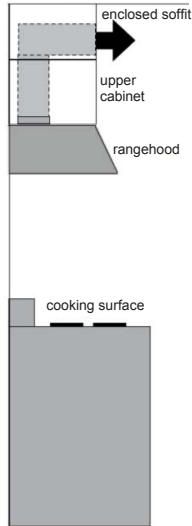


FIGURE 3B

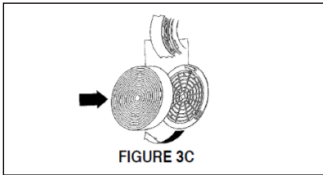


FIGURE 3C

Note: recommended for 600 CFM version only

Note: It is recommended that professional style cooking always be vented to the outside; for recirculating installations, some duct work is required to exhaust the unit out of the cabinet.

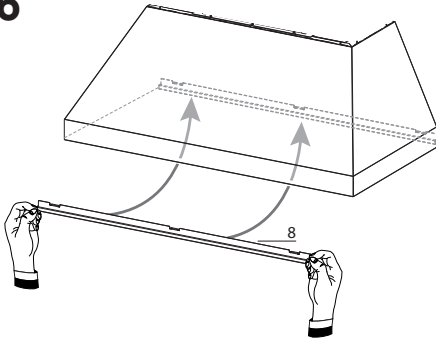
RECIRCULATING INSTALLATIONS

For recirculating installations, Charcoal Filters are necessary. Remove all grease filters and set aside. Attach one charcoal filter to each end of the blower. Each charcoal filter attaches to the grid on the side of the blower. Rotate the filter clockwise to install and counterclockwise to remove (FIGURE 3C). Replace all grease filters.

Some duct work must be installed to exhaust the rangehood back into the kitchen, either at the top of the cabinet (FIGURE 3A) or at the face or side of the soffit (FIGURE 3B). Install at least 15" of metal duct (fig.3A and 3B) at the air exit. Run the duct vertically and secure it at the opening cut out at the top or side of the cabinet or soffit. Installation

Required Activated Charcoal Filter Accessory - sku # - FILTER1
Long Lasting Activated Charcoal Filter Accessory - sku # FILTER1LL
(purchased separately)



6

Hook the Grease rail (8) positioning it inside the hood. It is possible to wash and reposition the rail inside the hood.

7

Installation of wiring connection

Switch off the dedicated power supply to the hood.

Remove the wiring electrical knockout using a flat-blade screwdriver. Feed the Power Supply Cable through the electrical knockout.

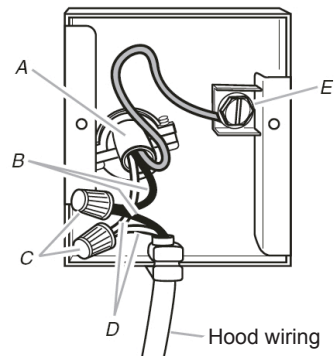
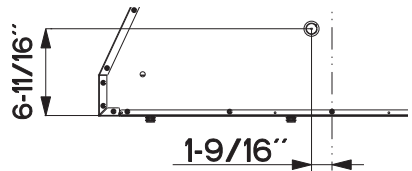
Connect the Power Supply Cable to the rangehood. Attach the White lead of the power supply (A) to the White lead of the rangehood (D) with a twist-on type wire connector. Attach the Black lead of the power supply to the Black lead of the rangehood (B) with a twist-on type wire connector (C). Connect the Green (E) (Green and Yellow) ground wire under the Green grounding screw.

Replace the field wiring compartment cover and the grease filters.

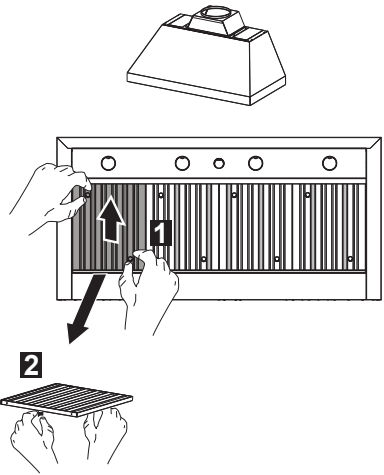
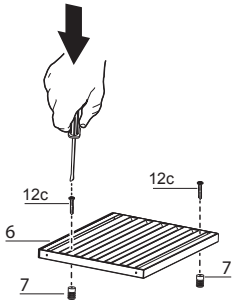
Connect the ductwork to the damper and seal all connections with duct tape.

Turn the power supply on. Turn on the blower and light. If the rangehood does not operate, check that the circuit breaker is not tripped or the house fuse blown. If the unit still does not operate, disconnect the power supply and check that the wiring connections have been made properly.

Reattach the field wiring compartment cover.



8



Before installing the filters (6), tighten the 2 knobs (7) with 2 screws (12c).
Use two hands to insert and remove the filters.
The 36" hood has 3 Filters.
The 48" hood has 4 Filters.

INSTALLATION CONTINUED

Optional Telescopic Chimney Extension Installation

Refer to Instructions in the Chimney Duct Cover Accessories.

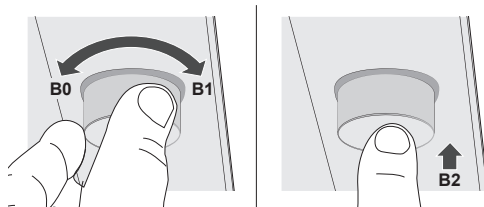
USE AND CARE INFORMATION

Rangehood Control Panel

The control panel is located in the center of the hood bottom.



Warning: Do NOT force the control dial to turn beyond its limit.

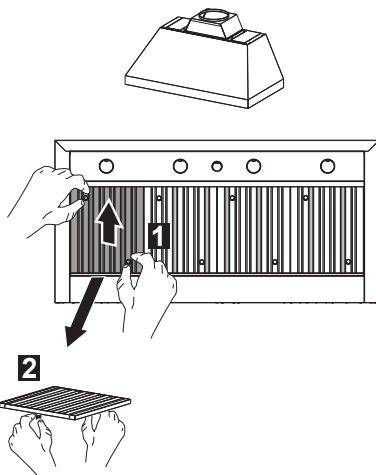


Function	Operation	LED Color / Light Pattern
Lights - Dimmer	Press the button once to turn the lights on dimmer (B2)	
Lights - High	Press the button a second time to turn the lights on high (B2)	
Lights - Off	Press the button a third time to turn the lights off (B2)	
Speed 1	Quick turn of the knob to the right (1st time) (B1)	Green - Solid
Speed 2	Quick turn of the knob to the right (2nd time) (B1)	Yellow - Solid
Speed 3	Quick turn of the knob to the right (3rd time) (B1)	Red - Solid
Intensive Speed (motor turns off after 10 minutes of operation)	Quick turn of the knob to the right (4th time) (B1)	Red - Blinking
Turn the motor off	While at any speed, hold the knob for 2 seconds to the left to turn the motor off. Alternatively, a quick turn of the knob to the left backwards thru the speeds (1 turn to the left past speed 1) , turns the motor off. (B0)	No Color
Delay auto shut off	Hold the knob to the right for 2 seconds. The hood and lights stay on for 10 minutes, then turn off. (B1)	The selected speed blinks
Heat Sensor Active	Press button for 2 seconds (B2)	Red Blinking One time
Heat Sensor Inactive	Press button for 2 seconds (B2)	Red Blinking Three times
Heat Sensor Fault		Purple blinking
Heat Sensor Features	If the motor is off and the temperature gets to approximately 130 degrees F (55 degrees C°)— the blower turns on speed 2 for a minimum of 15 minutes. Once the temperature has dropped below 130 degrees F (55 degrees C°), the motor turns off. If you operate the hood manually during this function, the auto on sensor is disabled for 15 minutes.	Red - Blinking
Heat Sensor Faults	If the temperature remains too high, the blower remains on for up to 90 minutes until the temperature has dropped below 130 degrees F (55 degrees C°).	Red - Blinking

Cleaning metal grease filters

The metal grease filters can be cleaned in hot detergent solution or washed in the dishwasher. They should be cleaned every 2 months, or more frequently if use is particularly heavy.

- Install the grease rail into the back of the hood, into the slots on the inside floor of the rear of the hood
- The grease filters should be installed before operating the rangehood.
- To install the filters, use the two knobs to hold the filter and insert the filter into the front edge of the hood with the knobs facing out into the spring loaded slot. Install the other end of the filter above the grease rail in the back of the hood.
- No water can be present in filters before installing back in hood.

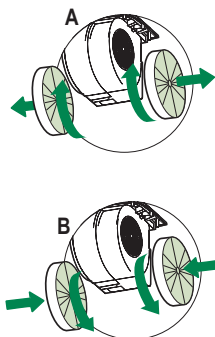


Replacing Activated Charcoal Filter

The Activated Charcoal Filters are not washable and cannot be regenerated, and should be replaced approximately every 4 months of operation, or more frequently with heavy usage.

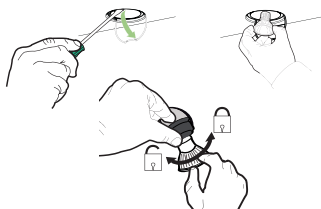
- Remove the charcoal filter by rotating it clockwise (backwards) until it unlocks from the motor housing and pull off sideways.
- To re-insert each charcoal filter, place up against the side of the blower and push it inward. Then turn the charcoal filter clockwise (forward) until it fits into place.

Caution: "When used in recirculation mode, to Reduce the Risk of Fire and Shock use only conversion kit Model FILTER 1 or FILTER1LL".



Lighting unit

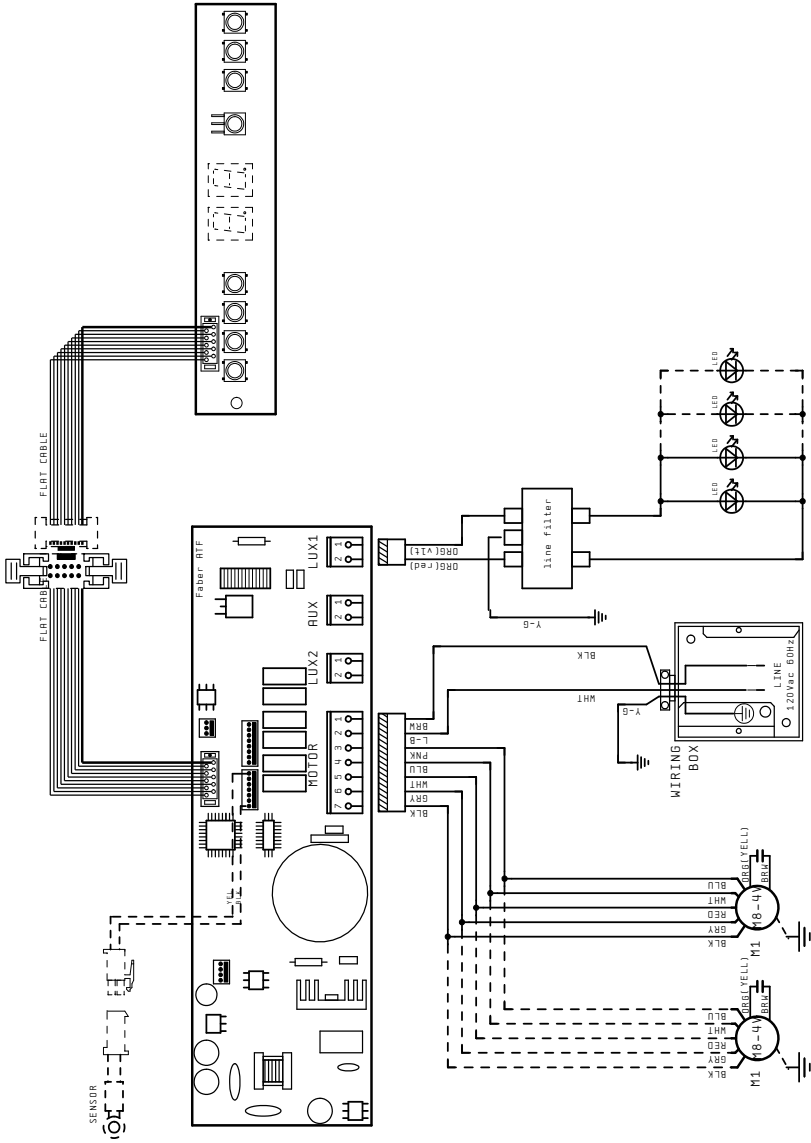
- Remove the snap-on lamp cover by levering it from under the metal ring, supporting it with one hand.
- Replace the lamp with a new one of the same type, making sure that you insert the two pins properly into the housings on the lamp holder.
- Replace the snap-on lamp cover.



Gu10 self-ballasted led lamps – listed in accordance with ul 1993/nmx-j-578/1-ance/csa c22.2 No. 1993



Wiring Diagram





FABER CONSUMER WARRANTY & SERVICE

All Faber products are warranted against any defect in materials or workmanship for the original purchaser for a period of 1 year from the date of original purchase (requires proof of purchase). This warranty covers labor and replacement parts. Faber, at its option, may repair or replace the product or components necessary to restore the product to good working condition. To obtain warranty service, contact the dealer from whom you purchased the range hood, or the local Faber distributor. If you cannot identify a local Faber distributor, contact us at (508) 358-5353 for the name of a distributor in your area.

The following is not covered by Faber's warranty:

1. Service calls to correct the installation of your range hood, to instruct you how to use your range hood, to replace or repair house fuses or to correct house wiring or plumbing.
2. Service calls to repair or replace range hood light bulbs, fuses or filters. Those consumable parts are excluded from warranty coverage.
3. Repairs when your range hood is used for other than normal, single-family household use.
4. Damage resulting from accident, alteration, misuse, abuse, fire, flood, acts of God, improper installation, installation not in accordance with electrical or plumbing codes or Faber documentation, or use of products not approved by Faber.
5. Replacement parts or repair labor costs for units operated outside the United States or Canada, including any non-UL or C-UL approved Faber range hoods.
6. Repairs to the hood resulting from unauthorized modifications made to the range hood.
7. Expenses for travel and transportation for product service in remote locations and pickup and delivery charges. Faber range hoods should be serviced in the home.

THIS WARRANTY DOES NOT ALLOW RECOVERY OF INCIDENTAL OR CONSEQUENTIAL DAMAGES, INCLUDING, WITHOUT LIMITATION, DIRECT, INDIRECT, INCIDENTAL, SPECIAL OR CONSEQUENTIAL DAMAGES, PERSONAL INJURY/WRONGFUL DEATH OR LOST PROFITS FABER WARRANTY IS LIMITED TO THE ABOVE CONDITIONS AND TO THE WARRANTY PERIOD SPECIFIED HEREIN AND IS EXCLUSIVE. EXCEPT AS EXPRESSLY SPECIFIED IN THIS AGREEMENT, FABER DISCLAIMS ALL EXPRESS OR IMPLIED CONDITIONS, REPRESENTATIONS, AND WARRANTIES INCLUDING, WITHOUT LIMITATION, ANY IMPLIED WARRANTIES OF MERCHANTABILITY OR FITNESS FOR A PARTICULAR PURPOSE.

This warranty gives you specific legal rights that may vary from state to state.

Model#: _____

Serial #: _____

January 4, 2016

VEUILLEZ LIRE ET CONSERVER LA PRÉSENTE NOTICE AVANT DE COMMENCER L'INSTALLATION DE LA HOTTE DE CUISINE

AVERTISSEMENT: -POUR RÉDUIRE LE RISQUE D'UN FEU DE GRAISSE SUR LA TABLE DE CUISSON :

- a) Ne laissez jamais sans surveillance les éléments de la surface de cuisson à température élevée. Les bouillonnements excessifs peuvent provoquer de la fumée et les débordements de graisse peuvent s'enflammer. L'huile doit être chauffée lentement, à une température basse ou moyenne.
- b) Assurez-vous de toujours mettre en marche le ventilateur de la hotte lorsque vous cuisinez à température élevée ou préparez un mets flambé (p.ex. crêpes Suzette, cerises jubilé, bœuf flambé).
- c) Nettoyez régulièrement les ventilateurs d'aspiration. Assurez-vous de ne pas laisser de la graisse s'accumuler sur le ventilateur ou le filtre.
- d) Utilisez toujours des poêles et casseroles de la taille appropriée. Utilisez toujours des ustensiles de cuisine de la taille adaptée à celle de l'élément chauffant.

AVERTISSEMENT : - POUR PRÉVENIR LES BLESSURES EN CAS DE FEU DE GRAISSE SUR LA TABLE DE CUISSON, SUIVEZ LES RECOMMANDATIONS SUIVANTES* :

- a) ÉTOUFFEZ LES FLAMMES à l'aide d'un couvercle hermétique, d'une plaque à biscuits ou d'un plateau métallique, puis éteignez le brûleur. FAITES ATTENTION AUX BRÛLURES. Si le feu ne s'éteint pas immédiatement, QUITTEZ LES LIEUX ET APPELEZ LES POMPIERS.
- b) NE PRENEZ JAMAIS UNE CASSEROLE EN FLAMME - Vous pourriez vous brûler.
- c) N'UTILISEZ JAMAIS DE L'EAU, ni un linge à vaisselle ou un torchon mouillé, pour éteindre le feu. Cela pourrait provoquer une violente explosion de vapeur.
- d) Utilisez un extincteur UNIQUEMENT si :
 1. Vous êtes certain qu'il s'agit d'un extincteur de classe ABC et que vous connaissez bien son mode d'emploi.
 2. Le feu est de faible intensité et se limite à l'endroit où il a démarré.
 3. Les pompiers ont déjà été appelés.
 4. Une voie de sortie se trouve derrière vous pendant que vous éteignez les flammes

* D'après le guide « Kitchen Firesafety Tips » publié par la NFPA aux États-Unis

AVERTISSEMENT - POUR RÉDUIRE LE RISQUE D'INCENDIE OU DE CHOC ÉLECTRIQUE, n'utilisez jamais ce ventilateur en association avec un dispositif de réglage de vitesse à semi-conducteurs.

AVERTISSEMENT - POUR RÉDUIRE LES RISQUES D'INCENDIE, DE CHOC ÉLECTRIQUE OU DE BLESSURE CORPORELLE, RESPECTEZ LES INSTRUCTIONS SUIVANTES :

1. Utilisez cet appareil uniquement de la façon prévue par le fabricant. Pour toute question, communiquez avec le fabricant.
2. Avant de procéder à l'entretien ou au nettoyage de l'appareil, coupez l'alimentation au niveau du panneau électrique et verrouillez-le pour vous assurer que l'électricité n'est pas rétablie accidentellement. S'il n'est pas possible de verrouiller le dispositif d'interruption de l'alimentation, affichez de façon ferme et bien visible un avis de danger, par exemple à l'aide d'une étiquette sur le panneau.

ATTENTION : Destinée à un usage de ventilation générale uniquement. N'utilisez pas ce dispositif pour l'aspiration de vapeurs ou de matériaux dangereux ou explosifs.

AVERTISSEMENT - POUR RÉDUIRE LES RISQUES D'INCENDIE, DE CHOC ÉLECTRIQUE OU DE BLESSURE CORPORELLE, RESPECTEZ LES INSTRUCTIONS SUIVANTES :

1. L'installation et le branchement électrique doivent être réalisés par un technicien qualifié et conformément à tous les codes et normes en vigueur, incluant ceux concernant la construction à l'épreuve du feu.
2. Afin de garantir une combustion et une évacuation adéquates des gaz par les conduites de la cheminée des appareils à combustion, une bonne aération est nécessaire pour éviter le refoulement. Respectez les lignes directrices fournies par le fabricant du matériel chauffant, ainsi que les normes de sécurité comme celles publiées par la National Fire Protection Association (NFPA) et la American Society for Heating, Refrigeration and Air Conditioning Engineers (ASHRAE) aux États-Unis, ainsi que les codes en vigueur dans votre région.

3. Lorsque vous faites une ouverture ou percez dans un mur ou le plafond, veillez à ne pas endommager les fils électriques ou d'autres dispositifs cachés.
4. Les ventilateurs canalisés doivent toujours être raccordés à l'extérieur.

TOUTE OUVERTURE DANS LE MUR OU LE PLANCHER À PROXIMITÉ DE LA HOTTE DOIT ÊTRE SCELLÉE.

Un espace libre d'au moins 24" est requis entre le bas de la hotte et la surface de cuisson ou le comptoir. Cette hotte a été homologuée par l'UL à cette distance de la surface de cuisson. L'espace libre minimal requis peut-être plus grand, selon la réglementation en matière de construction de votre région. Pour les cuisinières à gaz et les cuisinières combinées, un espace minimal de 30" est recommandé et pourrait être exigé.

Les armoires suspendues de chaque côté de l'appareil doivent se trouver à au moins 18" de la surface de cuisson ou du comptoir. Consultez la notice d'installation de la surface de cuisson ou de la cuisinière fournie par le fabricant avant de pratiquer des ouvertures.

INSTALLATION DANS UNE MAISON MOBILE L'installation de cette hotte doit être conforme à la Partie 3280 de la norme Manufactured Home Construction and Safety Standards, Title 24 CFR (précédemment la partie 280 de la norme Federal Standard for Mobile Home Construction and Safety, Title 24, HUD). Consultez la fiche technique électrique.

CRITÈRES DE VENTILATION

Déterminez quelle méthode de ventilation est mieux adaptée à votre application. Les conduits peuvent passer par le mur ou le toit.

Pour garantir une meilleure efficacité, la longueur des conduits et le nombre de coudes doivent être le plus limités que possible. Le diamètre des conduits devrait être uniforme. N'installez pas deux coudes ensemble. Utilisez un ruban pour canalisations afin de sceller tous les joints du système de conduits. Utilisez un cafeu-trage pour sceller les ouvertures dans le mur extérieur ou le plancher, autour du clapet.

Il n'est pas recommandé d'utiliser des conduits flexibles. Les conduits flexibles provoquent une contre-pression et de la turbulence qui diminuent grandement l'efficacité de l'appareil.

Assurez-vous que l'espace libre dans le mur ou le plancher est suffisant pour le conduit d'évacuation avant de pratiquer les ouvertures. Ne coupez jamais une poutre ou un chevron, sauf si c'est absolument nécessaire. S'il s'avère nécessaire de couper une poutre ou un chevron, la construction d'un renforcement est requise.

AVERTISSEMENT - Pour réduire le risque d'incendie, utilisez uniquement des conduits métalliques.

ATTENTION - Pour réduire le risque d'incendie et pour évacuer adéquatement l'air, assurez-vous de raccorder les conduits à l'extérieur – Ne diffusez pas l'air d'évacuation dans des espaces à l'intérieur des murs ou du plafond, ou encore à l'intérieur d'un grenier, d'une galerie technique ou d'un garage.



AVERTISSEMENT

- Le système de ventilation DOIT déboucher à l'extérieur.
- **NE FAITES PAS** déboucher les conduits dans un grenier ou un autre endroit fermé.
- **N'UTILISEZ PAS** un clapet de sècheuse mural de 4 po.
- Il n'est pas recommandé d'utiliser des conduits flexibles.
- **N'ENTRAVEZ PAS** le flux de l'air de combustion et de ventilation.
- Le non-respect des exigences en matière de ventilation pourrait entraîner un incendie.



AVERTISSEMENT

- Une mise à la terre électrique est requise pour cette hotte.
- N'UTILISEZ PAS un tuyau d'eau froide pour la mise à la terre si celui-ci est branché par des joints en plastique, par des rondelles non métalliques ou d'autres matériaux.
- N'UTILISEZ PAS une conduite de gaz pour la mise à la terre.
- N'INSTALLEZ PAS un fusible sur le circuit neutre ou le circuit de mise à la terre. La présence d'un fusible dans le circuit neutre ou de mise à la terre peut entraîner un choc électrique.
- Consultez un électricien qualifié si vous n'êtes pas certain de la mise à la terre de la hotte.
- Le non-respect des exigences de la fiche technique électrique pourrait entraîner un incendie.

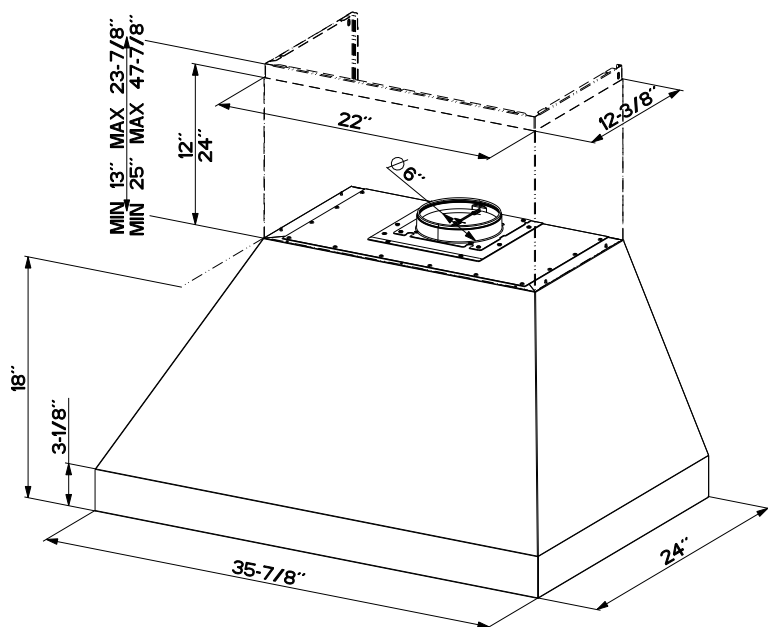
Avertissement de la proposition 65 de l'État de Californie (US seulement)

⚠ ATTENTION

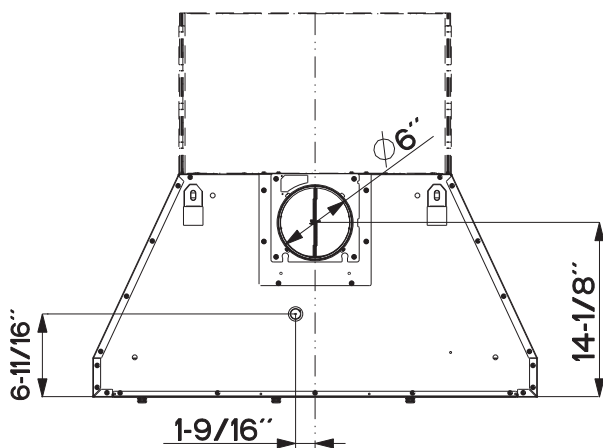
Ce produit contient des produits chimiques connus de l'État de Californie pour causer le cancer et des malformations congénitales ou d'autres problèmes de reproduction. Pour plus d'informations, visitez www.P65Warnings.ca.gov

Remarque : La hotte doit être installée sur un circuit électrique séparé.

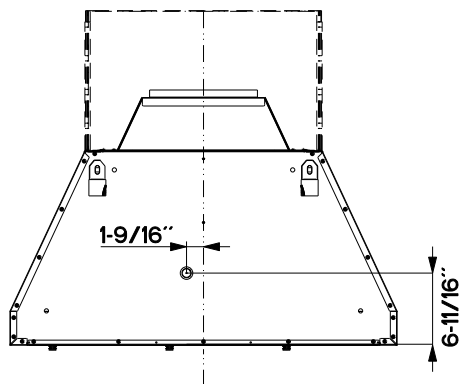
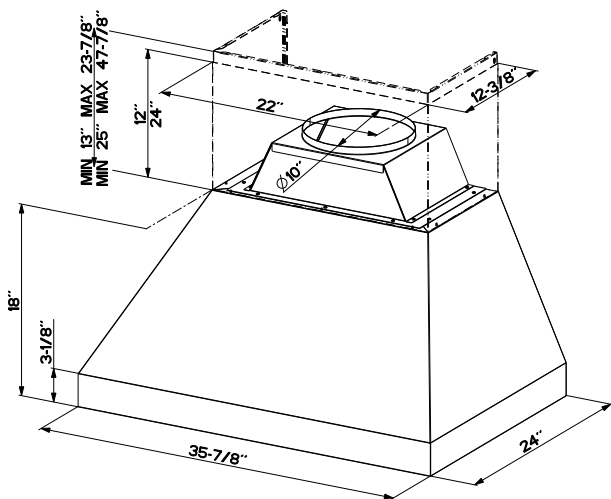
1 MOTEUR - DIMENSIONS DE LA HOTTE 36"



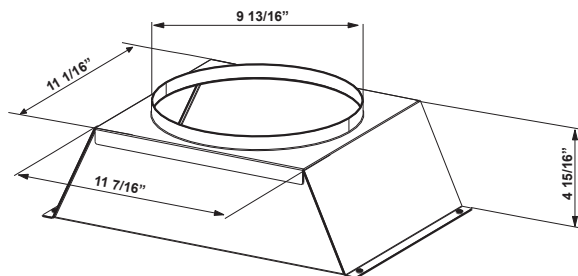
1 MOTEUR - VENTILATION ARRIÈRE DE LA HOTTE



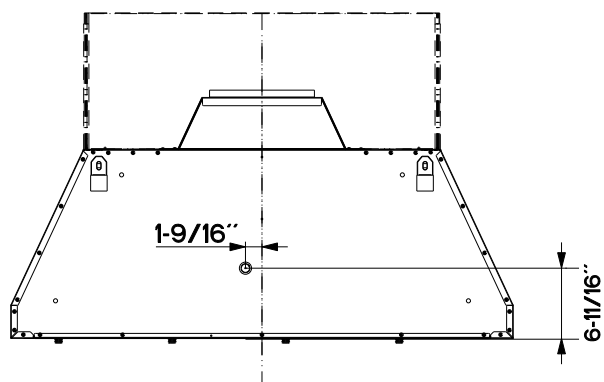
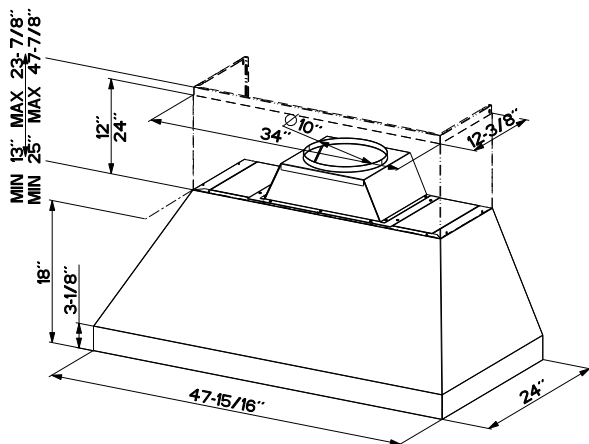
2 MOTEURS - DIMENSIONS DE LA HOTTE 36"



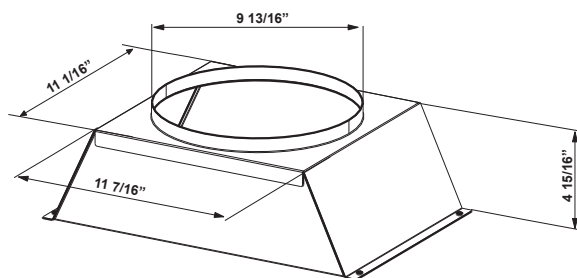
PIÈCE DE TRANSITION DU CONDUIT 10" POUR HOTTE 2 MOTEURS 36"



2 MOTEURS - DIMENSIONS DE LA HOTTE 48"



PIÈCE DE TRANSITION DU CONDUIT 10" POUR HOTTE 2 MOTEURS 48"



PIÈCES PRINCIPALES - HOTTE 1 MOTEUR 36"

Composants

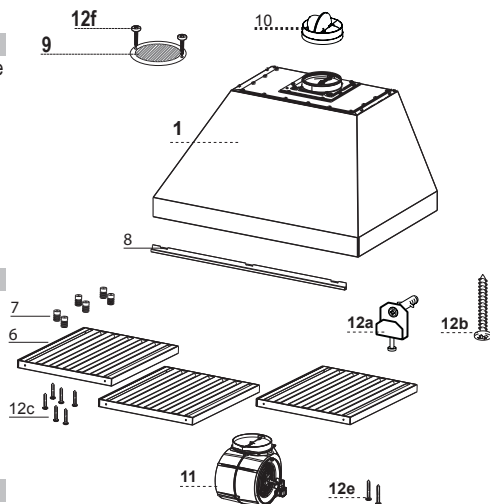
Réf.	Qté	Composants du produit
1	1	Bâti de la hotte, avec : Interrupteurs, éclairage
6	3	Filtres à graisse
7	6	Boutons des filtres
8	1	Gouttière
9	1	Grille d'évent de recyclage
10	1	Registre ø 5 7/8"
11	1	Ventilateur

Réf. Qté Composants d'installation

12a	2	Cheilles
12b	4	Vis 3/16" x1 15/16"
12c	6	Vis des filtres à graisse (3/16"x3/8")
12e	2	Vis de fixation de moteur (3/16" x 3/8")
12f	2	Vis 1/8" x 3/8" (pour le montage de la grille d'évent de recyclage)

Qté Documentation

1	Mode d'emploi
---	---------------



PIÈCES PRINCIPALES - HOTTE 2 MOTEURS 36"

Composants

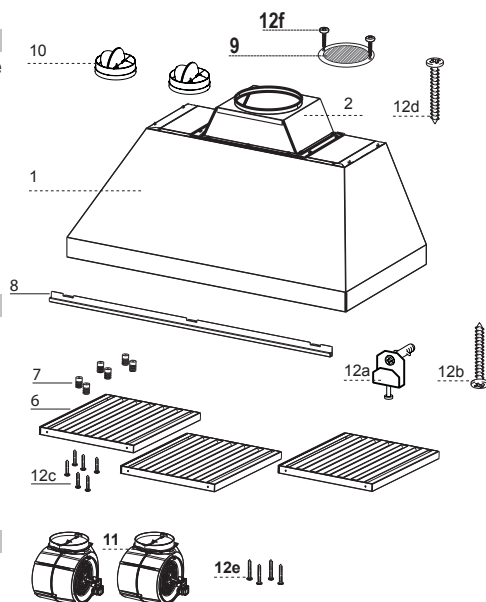
Réf.	Qté	Composants du produit
1	1	Bâti de la hotte, avec : Interrupteurs, éclairage
2	1	Pièce de transition du conduit
6	3	Filtres à graisse
7	6	Boutons de filtre
8	1	Gouttière
9	1	Grille d'évent de recyclage
10	2	Registres ø 5 7/8"
11	2	Ventilateurs

Réf. Qté Composants d'installation

12a	2	Cheilles
12b	4	Vis 3/16"x1 15/16"
12c	6	Vis de filtres à graisse (5/32" x 5/16")
12d	4	Vis 1/8" x 1/4"
12e	4	Vis de fixation de moteur (3/16" x 3/8")
12f	2	Vis 1/8" x 3/8" (pour le montage de la grille d'évent de recyclage)

Qté Documentation

1	Mode d'emploi
---	---------------



PIÈCES PRINCIPALES - HOTTE 2 MOTEURS 48"

Composants

Réf. Qté Composants du produit

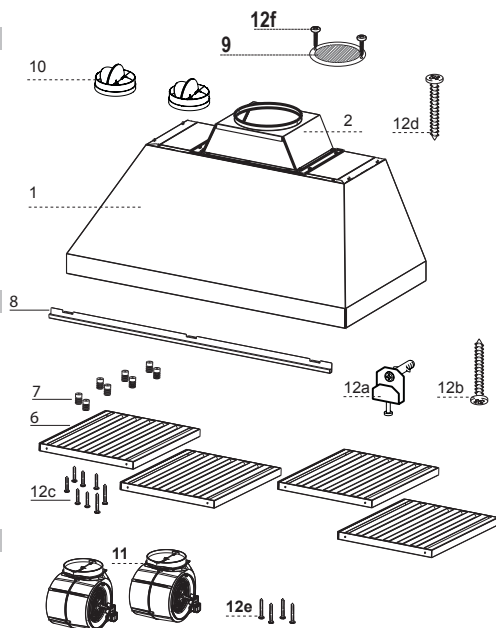
1	1	Bâti de la hotte, avec : Interrupteurs, éclairage
2	1	Pièce de transition du conduit
6	4	Filtres à graisse
7	8	Boutons de filtre
8	1	Gouttière
9	1	Grille d'évent de recyclage
10	2	Registres \varnothing 5 7/8"
11	2	Ventilateurs

Réf. Qté Composants d'installation

12a	2	Cheilles
12b	4	Vis 3/16"x1 15/16"
12c	8	Vis des filtres à graisse (5/32" x 5/16")
12d	4	Vis 1/8" x 1/4"
12e	4	Vis de fixation de moteur (3/16" x 3/8")
12f	2	Vis 1/8"x 3/8" (pour le montage de la grille d'évent de recyclage)

Qté Documentation

1	Mode d'emploi
---	---------------



PIÈCES REQUISES

Conduit métallique 6" circulaire

ACCESSOIRES DISPONIBLES

Recouvrement de canalisation de cheminée télescopique :

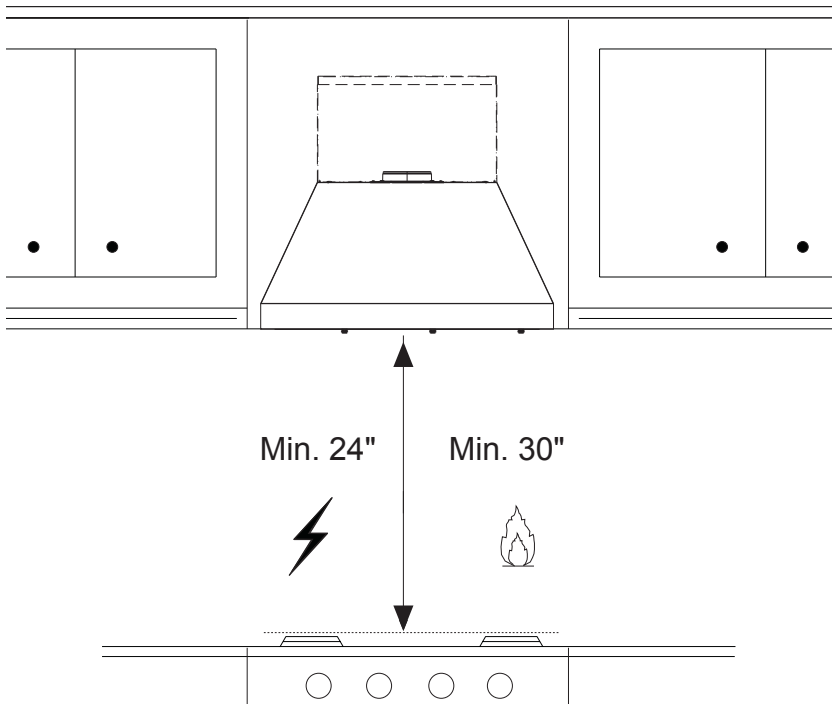
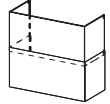
- No d'article : CHIM3448 (à utiliser avec Camino Pro 48")
- No d'article : CHIM2224 (à utiliser avec Camino Pro 36")
- No d'article : CHIM2248 (à utiliser avec Camino Pro 36")
- No d'article : CHIM3424 (à utiliser avec Camino Pro 48")

Réducteur de débit accessoire, numéro d'article : CFMRED

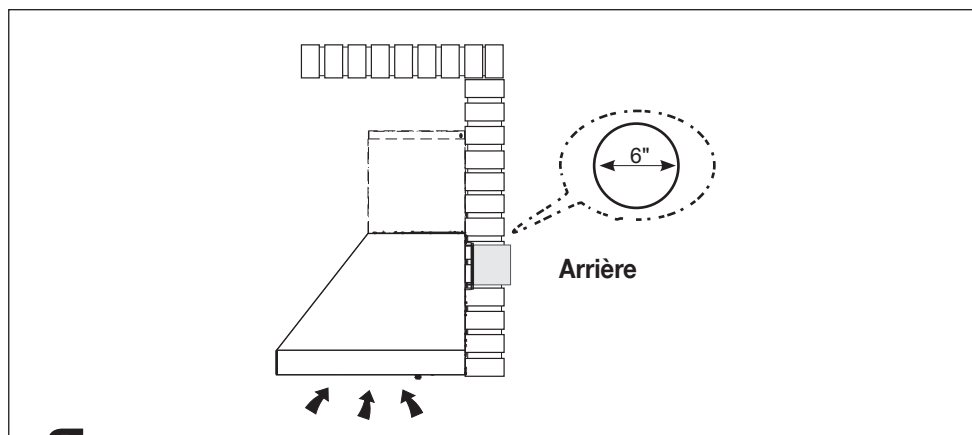
Réducteur de débit accessoire, numéro d'article : CFMRED-2

Filtre à charbon actif, numéro d'article : FILTER1

Filtre à charbon lavable longue durée, numéro d'article : FILTER1LL

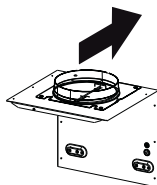
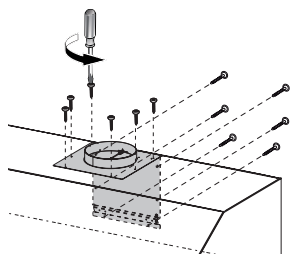


INFORMATIONS - ARRIÈRE HOTTE 1 MOTEUR



INSTALLATION AVEC CANALISATION VERS L'ARRIÈRE POUR HOTTE À 1 MOTEUR

1



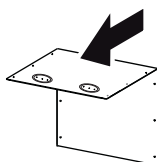
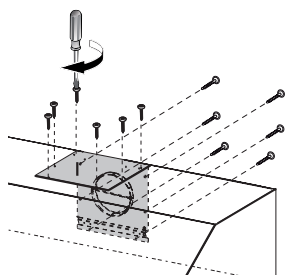
Seulement pour la première installation

Pour l'installation avec canalisation arrière, le support du ventilateur doit d'abord être détaché. Pour ce faire, retirez les 12 vis comme illustré.

180°

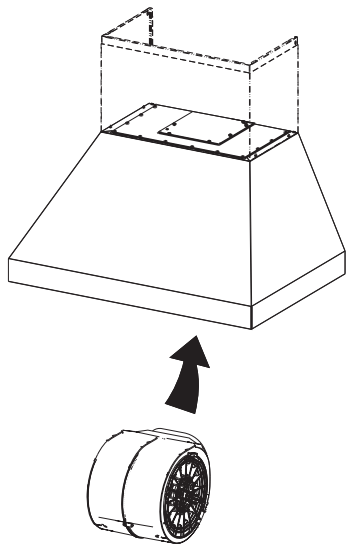
Lorsque les vis sont enlevées, dégagez le support du bâti de la hotte et placez-le de façon à ce que l'ouverture de passage de l'air se trouve face au mur arrière (dégagez-le de l'arrière et faites-le tourner de 180 degrés vers la gauche, puis inclinez-le de 90 degrés vers l'arrière, comme illustré dans le diagramme).

90°



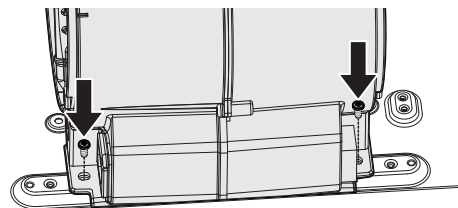
Lorsque le support du ventilateur est en place, remettez en place les 12 vis pour fixer le support au bâti de la hotte.

2



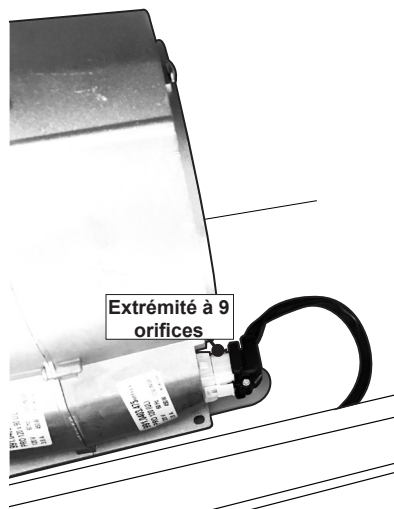
Placez le moteur dans le bâti de la hotte.

3



Installez le moteur dans la partie supérieure de la hotte à l'aide des 2 vis 12e fournies.

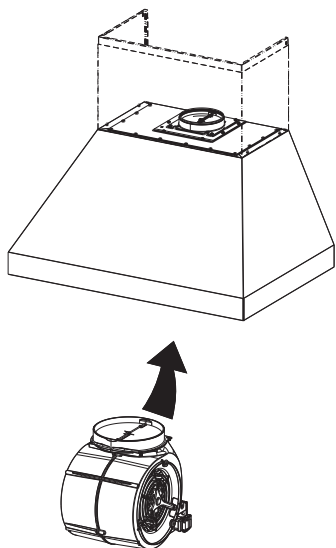
4



Branchez l'extrémité à 9 orifices du câble au moteur.

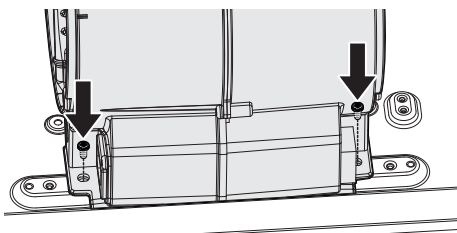
INSTALLATION AVEC CANALISATION EN HAUT POUR HOTTE À 1 MOTEUR

1



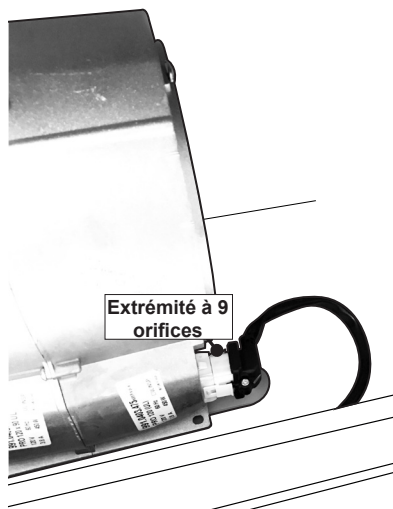
Placez le moteur dans le bâti de la hotte.

2



Installez le moteur à l'arrière de la hotte à l'aide des 2 vis 12e fournies.

3

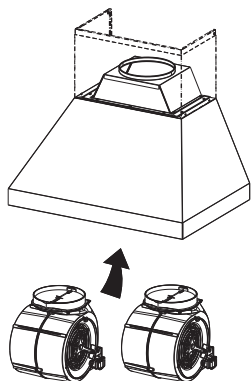


Extrémité à 9 orifices

Branchez l'extrémité à 9 orifices du câble au moteur.

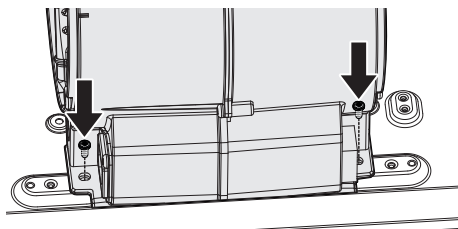
INSTALLATION AVEC CANALISATION EN HAUT POUR HOTTE À 2 MOTEURS

1



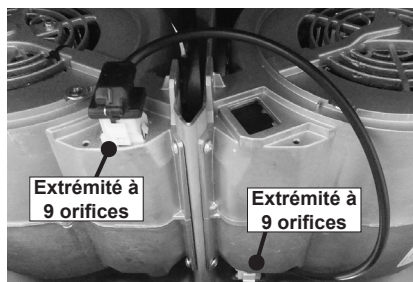
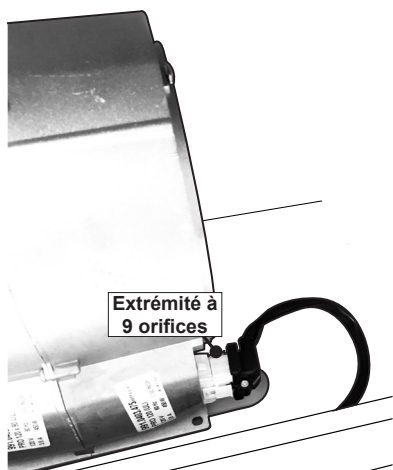
Placez les deux moteurs dans le bâti de la hotte. À l'intérieur de la hotte, il y a un séparateur de support de ventilateur. Les moteurs seront de part et d'autre.

2



Installez les deux moteurs aux côtés du support de ventilateur à l'aide des 4 vis 12e fournies.

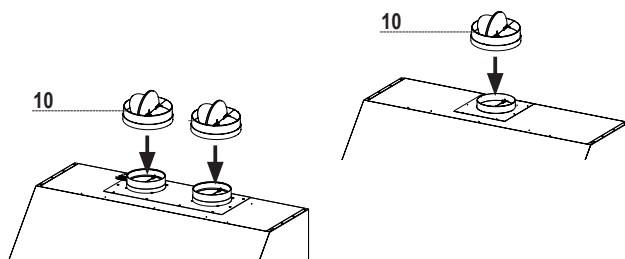
3



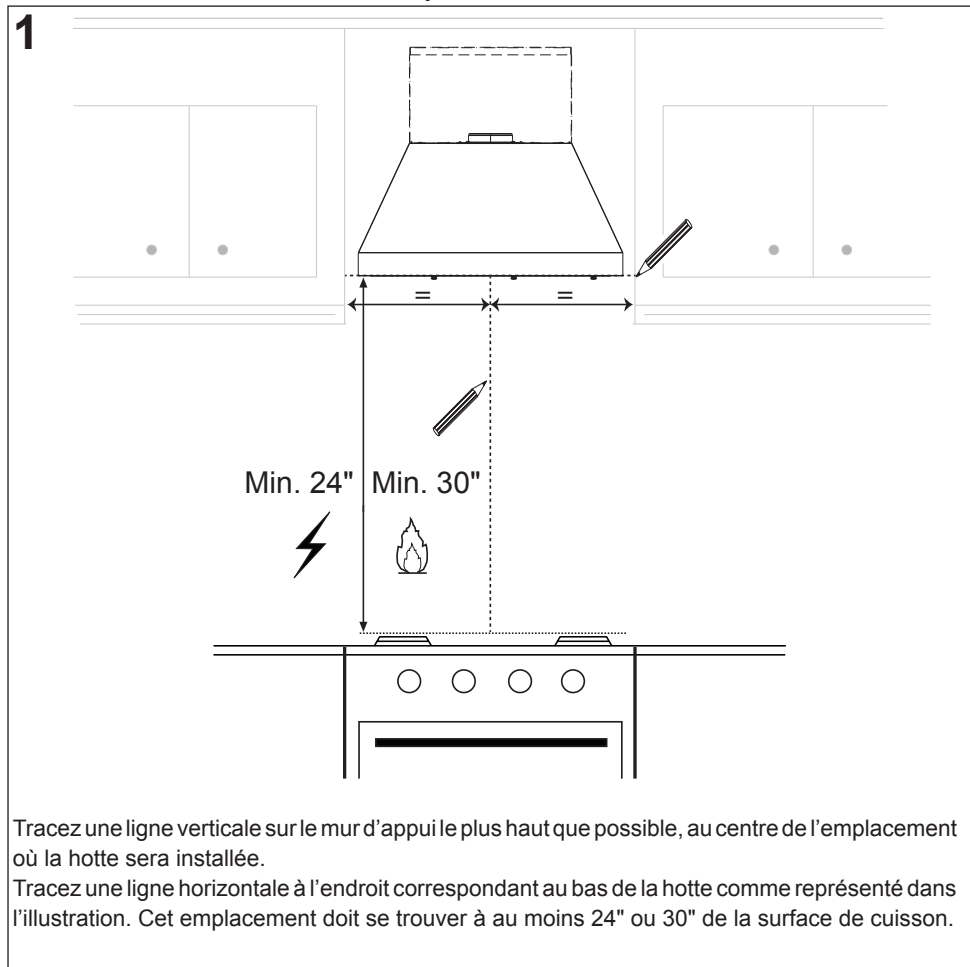
Branchez l'extrémité à 9 orifices du câble au moteur gauche et l'autre extrémité à 9 orifices du câble au moteur droit.

NOTICE D'INSTALLATION

Installez le registre inclus avec la hotte avant de la raccorder aux conduits.
Un pour le modèle à 1 moteur.
Deux pour le modèle à 2 moteurs.

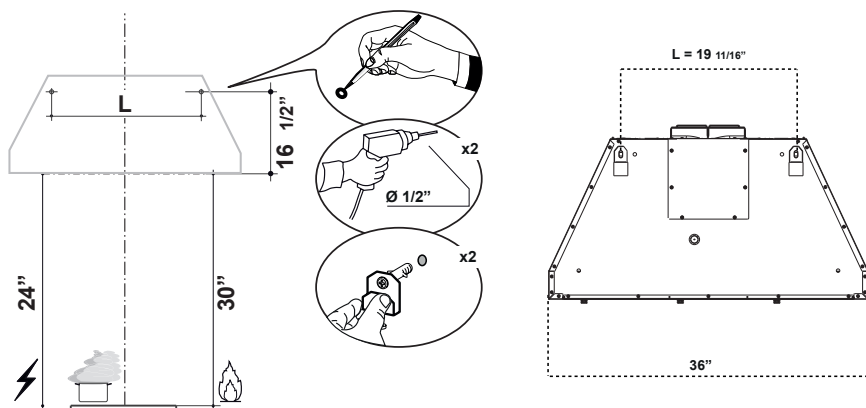


Instructions pour l'installation murale



2.a

Installation pour hotte avec 1 moteurs

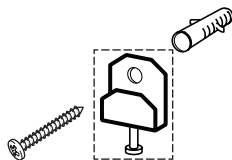


Tracez un repère sur le mur à l'endroit indiqué, 16 1/2" au-dessus de la ligne horizontale et à la distance L à droite et à gauche de la ligne verticale. La distance L varie en fonction de la dimension de la hotte. Insérez les deux chevilles 12a dans les orifices, comme illustré, et fixez-les.



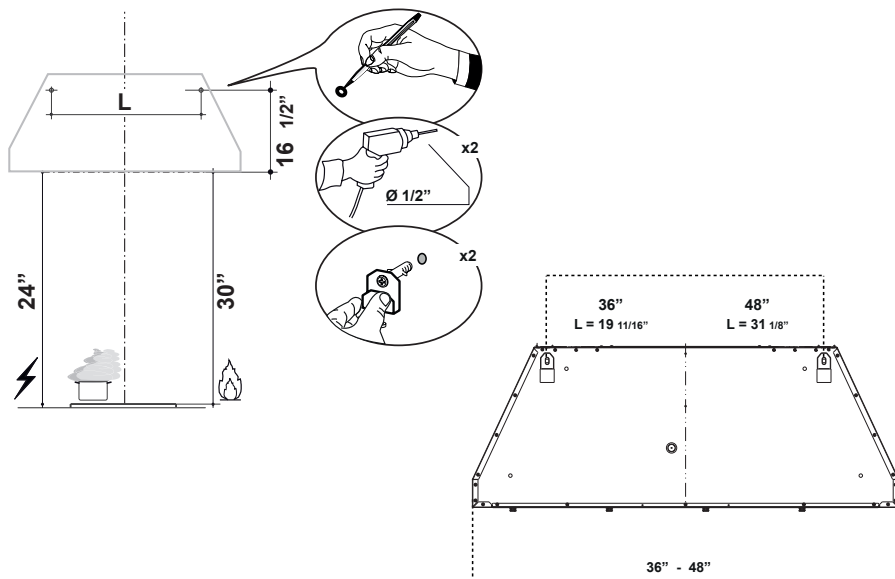
Pour un type de mur différent, il est possible d'utiliser uniquement le support en retirant la cheville et la vis de cheville 12a.

Combinez le support avec une cheville ou une vis adaptée.



2.b

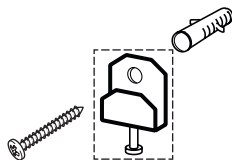
Installation pour hotte avec 2 moteurs

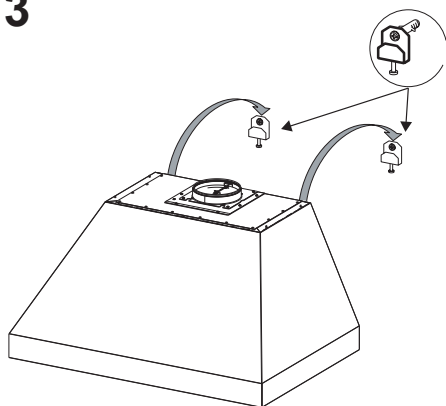


Tracez un repère sur le mur à l'endroit indiqué, 16 1/2" au-dessus de la ligne horizontale et à la distance L à droite et à gauche de la ligne verticale. La distance L varie en fonction de la dimension de la hotte. Insérez les deux chevilles 12a dans les orifices, comme illustré, et fixez-les.

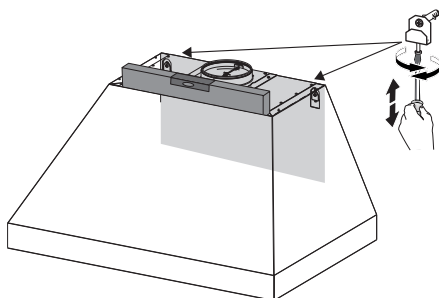


Pour un type de mur différent, il est possible d'utiliser uniquement le support en retirant la cheville et la vis de cheville 12a.
Combinez le support avec une cheville ou une vis adaptée.

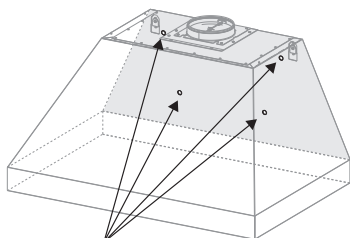


3

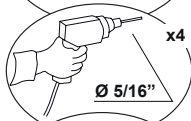
Engagez le bâti de la hotte sur les chevilles 12a.

4

Vérifiez à l'aide d'un niveau à eau que le support de fixation est à niveau, en ajustant les vis comme illustré.

5

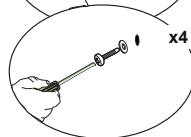
Tracez un repère sur le mur à l'endroit indiqué.



Percez des trous de \varnothing 5/16 po directement au centre des repères.



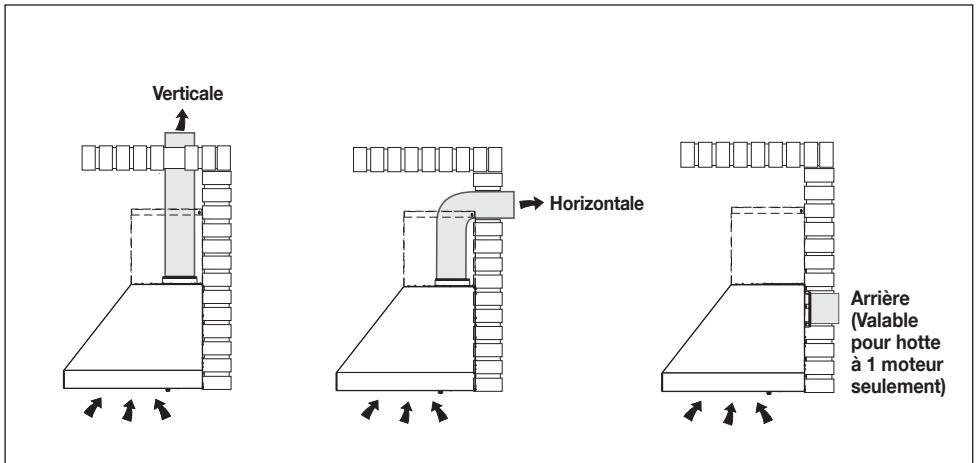
Insérez les chevilles achetées dans les trous.



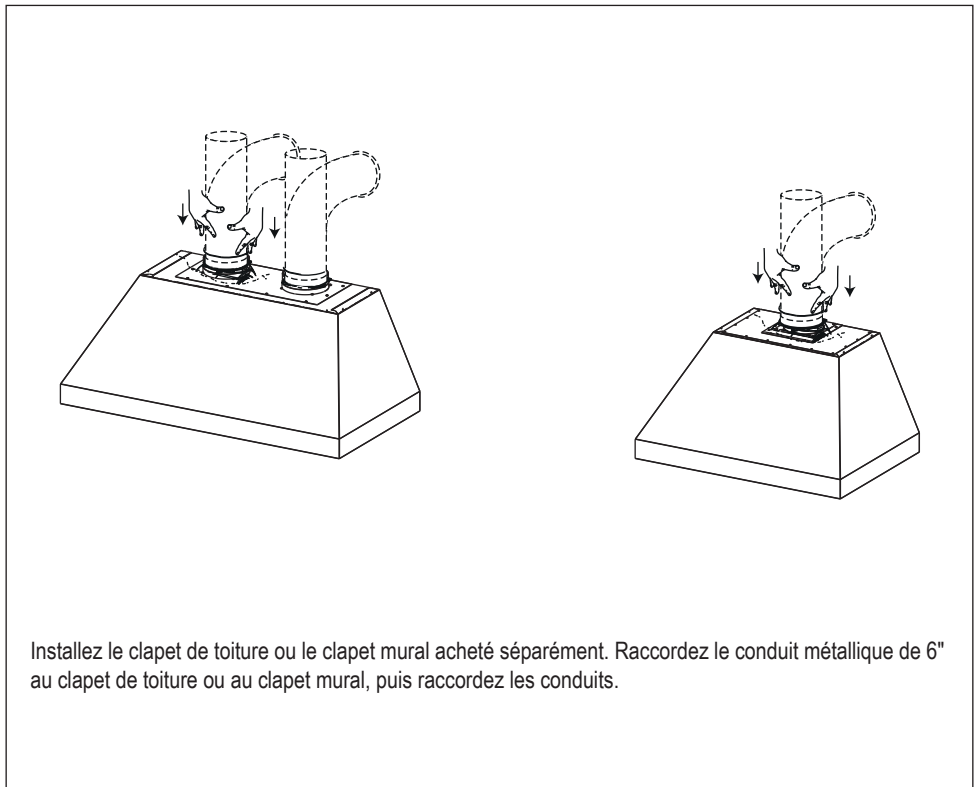
Utilisez les deux vis restantes pour ancrer la hotte aux trous.

Si l'installation prévoit le prolongement de cheminée télescopique, reportez-vous à la notice d'installation fournie avec la cheminée (CHIM3448 - CHIM2224 - CHIM2248 - CHIM3424).

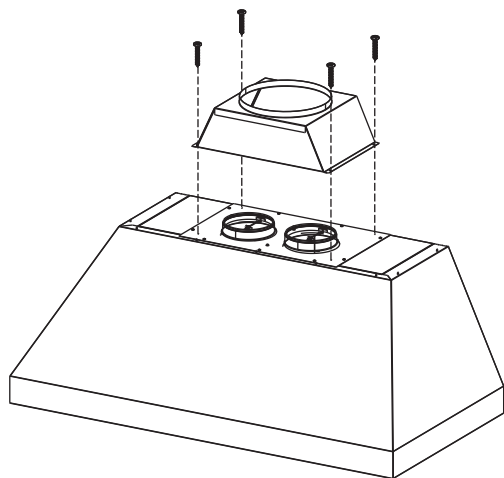
MÉTHODES DE CANALISATION STANDARD POUR HOTTES À 1 ET 2 MOTEURS



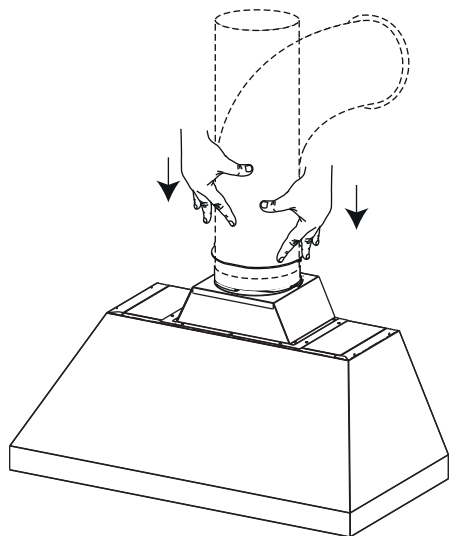
MÉTHODES DE CANALISATION POUR HOTTES À 1 ET 2 MOTEURS 6"



MÉTHODES DE CANALISATION POUR HOTTES À 2 MOTEURS 10"

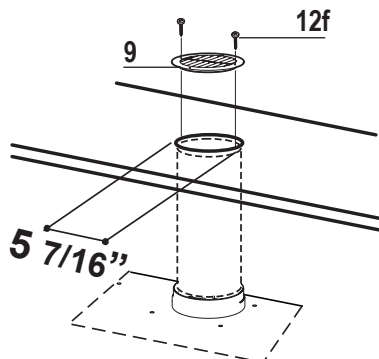


Fixez la pièce de transition du conduit dans le bâti de la hotte avec 4 vis 12d.



Installez le clapet de toiture ou le clapet mural acheté séparément. Raccordez le conduit métallique de 10" au clapet de toiture ou au clapet mural, puis raccordez les conduits.

Option sans canalisation, avec recyclage d'air



Pour la ventilation avec recyclage sans canalisation, dirigez les conduits à un emplacement au-dessus de la hotte où l'air évacué est retourné dans la pièce.

Utilisez la grille d'évent de recyclage incluse (9) pour couvrir l'ouverture. Fixez la grille à l'aide des 2 vis (12f) fournies dans la trousse d'installation.

En l'absence de grille directionnelle, installez un tube droit d'au moins 15" de long entre la sortie d'air de la hotte et l'unité murale.

Filtre à charbon actif requis - No
d'article : FILTER1
Filtre à charbon actif longue durée -
No d'article FILTER1LL
(acheté séparément)



INSTRUCTIONS POUR RECYCLAGE

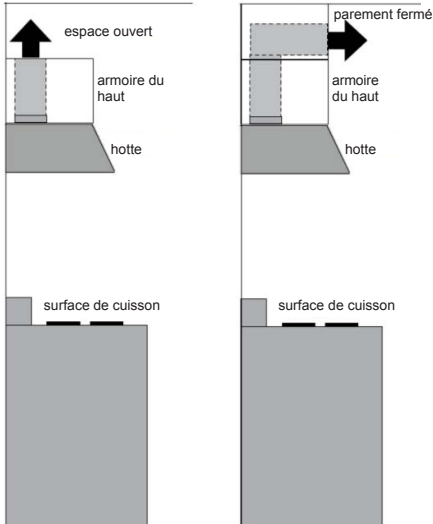


FIGURE 3A

FIGURE 3B

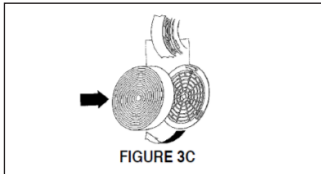


FIGURE 3C

Remarque : recommandé pour la version 600 PCM uniquement

Remarque : La ventilation associée à une cuisine de type professionnel doit toujours être évacuée à l'extérieur; les installations avec recyclage nécessitent l'installation de canalisations pour évacuer l'air de l'appareil à l'extérieur de l'armoire.

INSTALLATIONS AVEC RECYCLAGE

Pour les installations avec recyclage, il est nécessaire d'installer des filtres à charbon. Retirez tous les filtres à graisse et mettez-les à part. Posez un filtre à charbon à chaque extrémité du ventilateur. Chaque filtre à charbon se fixe à une grille sur le côté du ventilateur. Faites tourner le filtre dans le sens des aiguilles d'une montre pour l'installer et dans le sens contraire des aiguilles d'une montre pour l'enlever (FIGURE 3C). Remettez tous les filtres à graisse en place.

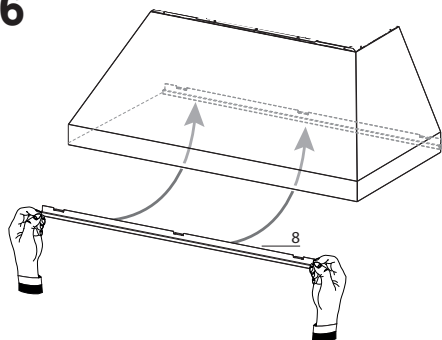
Une canalisation doit être installée pour évacuer la hotte dans la cuisine, soit au sommet des armoires (FIGURE 3A) ou sur la face ou le côté du parement (FIGURE 3B). Installez un conduit métallique d'au moins 15" (fig. 3A et 3B) à la sortie d'air. Faites passer le conduit verticalement et fixez-le à l'ouverture pratiquée au sommet ou sur le côté de l'armoire ou du parement. Installation

Filtre à charbon actif requis - No d'article : FILTER1

Filtre à charbon actif longue durée - No d'article :
FILTER1LL

(acheté séparément)



6

Engagez la gouttière (8) à l'intérieur de la hotte. Il est possible de laver la gouttière et de la replacer à l'intérieur de la hotte.

7

Réalisation des branchements

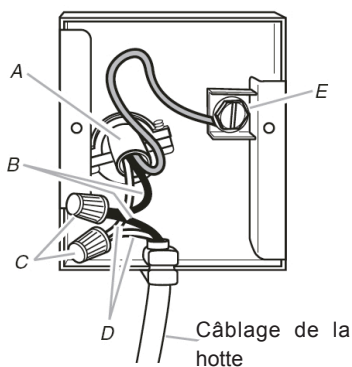
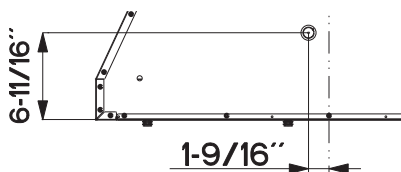
Coupez l'alimentation dédiée à la hotte. Défoncez l'entrée électrique à l'aide d'un tournevis plat. Faites passer le câble d'alimentation dans l'entrée électrique défoncée.

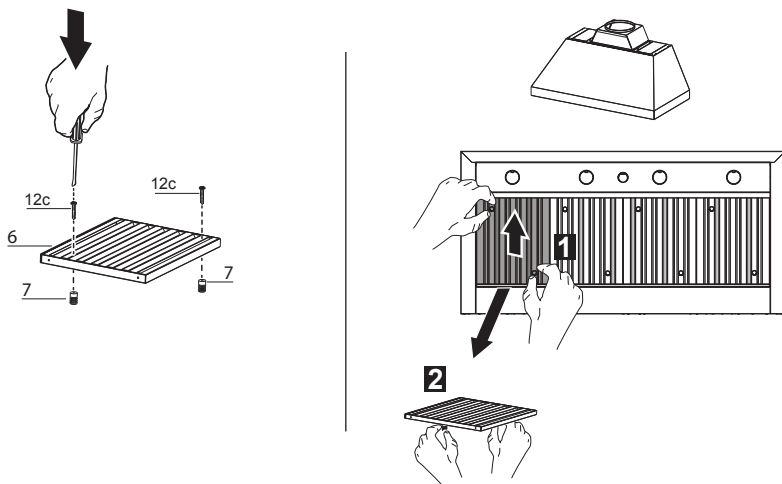
Branchez le câble d'alimentation à la hotte. Branchez le fil blanc de l'alimentation (A) au fil blanc de la hotte (D) à l'aide d'un connecteur verrouillé par rotation. Branchez le fil noir de l'alimentation au fil noir de la hotte (B) à l'aide d'un connecteur verrouillé par rotation (C). Branchez le fil vert (vert et jaune) (E) de mise à la terre sous la vis de mise à la terre verte. Remettez le couvercle du compartiment des câblages externes et les filtres à graisse en place.

Raccordez le conduit au registre et scellez toutes les connexions à l'aide de ruban.

Mettez l'alimentation sous tension. Mettez le ventilateur et l'éclairage en marche. Si la hotte ne fonctionne pas, assurez-vous que le disjoncteur ou le fusible du domicile n'a pas sauté. Si l'unité ne fonctionne toujours pas, débranchez l'alimentation et vérifiez si les branchements ont été réalisés correctement.

Remettez le couvercle du compartiment des câblages externes.



8

Avant de poser les filtres (6), serrez les 2 boutons (7) à l'aide de 2 vis (12c).

Servez-vous des deux mains pour insérer et retirer les filtres.

La hotte 36" a 3 filtres.

La hotte 48" a 4 filtres.

INSTALLATION (SUITE)

Installation du prolongement de cheminée télescopique en option

Reportez-vous aux instructions relatives aux accessoires de recouvrement de canalisation de cheminée.

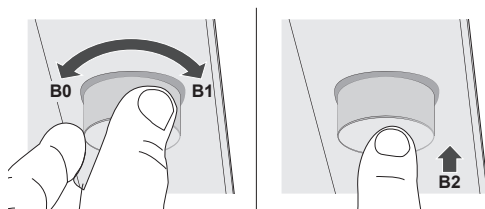
INFORMATIONS POUR L'UTILISATION ET L'ENTRETIEN

Panneau de commande de la hotte

Le panneau de commande est situé au centre de la partie inférieure de la hotte.



Attention : NE PAS forcer la rotation du bouton de commande au-delà du fin de course.

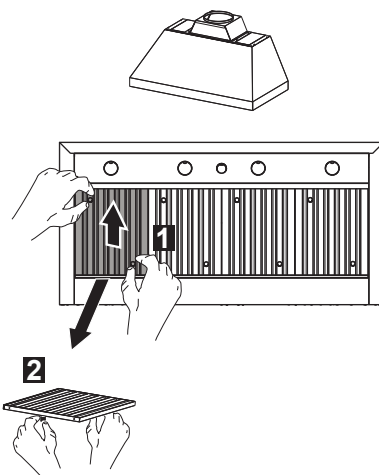


Fonction	Opération	Couleur DEL / motif lumineux
Éclairage - Variateur	Appuyez une fois sur le bouton pour sélectionner le variateur d'éclairage (B2)	
Éclairage - Haute intensité	Appuyez une deuxième fois sur le bouton pour sélectionner l'éclairage haute intensité (B2)	
Éclairage - Éteint	Appuyez une troisième fois sur le bouton pour éteindre l'éclairage (B2)	
Vitesse 1	Tour rapide du bouton à droite (1re fois) (B1)	Vert - Continu
Vitesse 2	Tour rapide du bouton à droite (2e fois) (B1)	Jaune - Continu
Vitesse 3	Tour rapide du bouton à droite (3e fois) (B1)	Rouge - Continu
Vitesse intensive (le moteur s'éteint après 10 minutes de fonctionnement)	Tour rapide du bouton à droite (4e fois) (B1)	Rouge - Clignotant
Éteint le moteur.	Quelle que soit la vitesse du moteur, maintenez le bouton pendant 2 secondes vers la gauche pour éteindre le moteur. Un tour rapide du bouton vers la gauche diminue la vitesse progressivement (1 tour à gauche diminue la vitesse d'un cran) jusqu'à éteindre le moteur. (B0)	Sans couleur
Retarder l'extinction automatique	Maintenez le bouton à droite pendant 2 secondes. La hotte et l'éclairage restent allumés pendant 10 minutes, puis s'éteignent. (B1)	La vitesse sélectionnée clignote
Capteur de chaleur actif	Appuyez sur le bouton pendant 2 secondes (B2)	Le rouge clignote une fois
Capteur de chaleur inactif	Appuyez sur le bouton pendant 2 secondes (B2)	Le rouge clignote trois fois
Défaut du capteur de chaleur		Clignotement violet
Caractéristiques du capteur de chaleur	Si le moteur est éteint et que la température atteint environ 55 °C (130 °F), le ventilateur passe à la vitesse 2 pendant au moins 15 minutes. Une fois que la température est retombée en dessous de 55 °C (130 °F), le moteur s'éteint. Si vous utilisez la hotte manuellement pendant cette opération, la fonction automatique du capteur se désactive pendant 15 minutes.	Rouge - Clignotant
Erreurs du capteur de chaleur	Si la température reste trop élevée, le ventilateur reste en marche pendant 90 minutes maximum, jusqu'à ce que la température soit retombée en dessous de 55 °C (130 °F).	Rouge - Clignotant

Nettoyage des filtres à graisse métalliques

Les filtres à graisse métalliques peuvent être lavés dans une solution d'eau chaude savonneuse ou dans le lave-vaisselle. Ils devraient être nettoyés tous les 2 mois, ou plus fréquemment en cas d'utilisation particulièrement intensive.

- Installez la gouttière à l'arrière de la hotte, dans les fentes situées à l'intérieur du plancher à l'arrière de la hotte
- Les filtres à graisse doivent être installés avant l'utilisation de la hotte.
- Pour installer les filtres, maintenez le filtre à l'aide des deux boutons et insérez-le dans le bord avant de la hotte en orientant les boutons vers l'extérieur dans la fente à ressort. Installez l'autre extrémité du filtre au-dessus de la gouttière à l'arrière de la hotte.
- Les filtres doivent être totalement secs lorsqu'ils sont réinstallés dans la hotte.

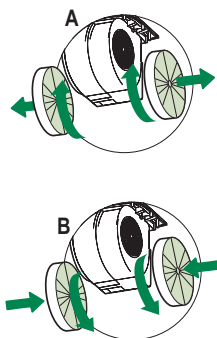


Remplacement du filtre à charbon actif

Les filtres à charbon actif ne sont pas lavables et ne peuvent être régénérés. Ils devraient être remplacés environ tous les 4 mois d'utilisation, ou plus souvent en cas d'utilisation intensive.

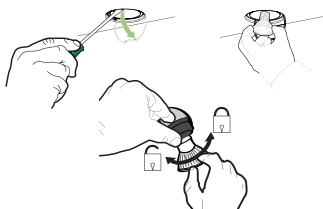
- Enlevez le filtre à charbon en le faisant tourner dans le sens des aiguilles d'une montre (vers l'arrière) jusqu'à ce qu'il se dégage du carter du moteur, puis en le tirant vers le côté.
- Pour réinsérer les filtres à charbon, placez-les sur le côté du ventilateur et poussez-les vers l'intérieur. Tournez ensuite le filtre à charbon dans le sens des aiguilles d'une montre (vers l'avant) jusqu'à ce qu'il soit bien installé.

ATTENTION : Pour réduire le risque d'incendie ou de choc électrique lorsque l'appareil est en mode recyclage, utilisez uniquement le modèle FILTER 1 ou FILTER1LL pour trousse de conversion.



Système d'éclairage

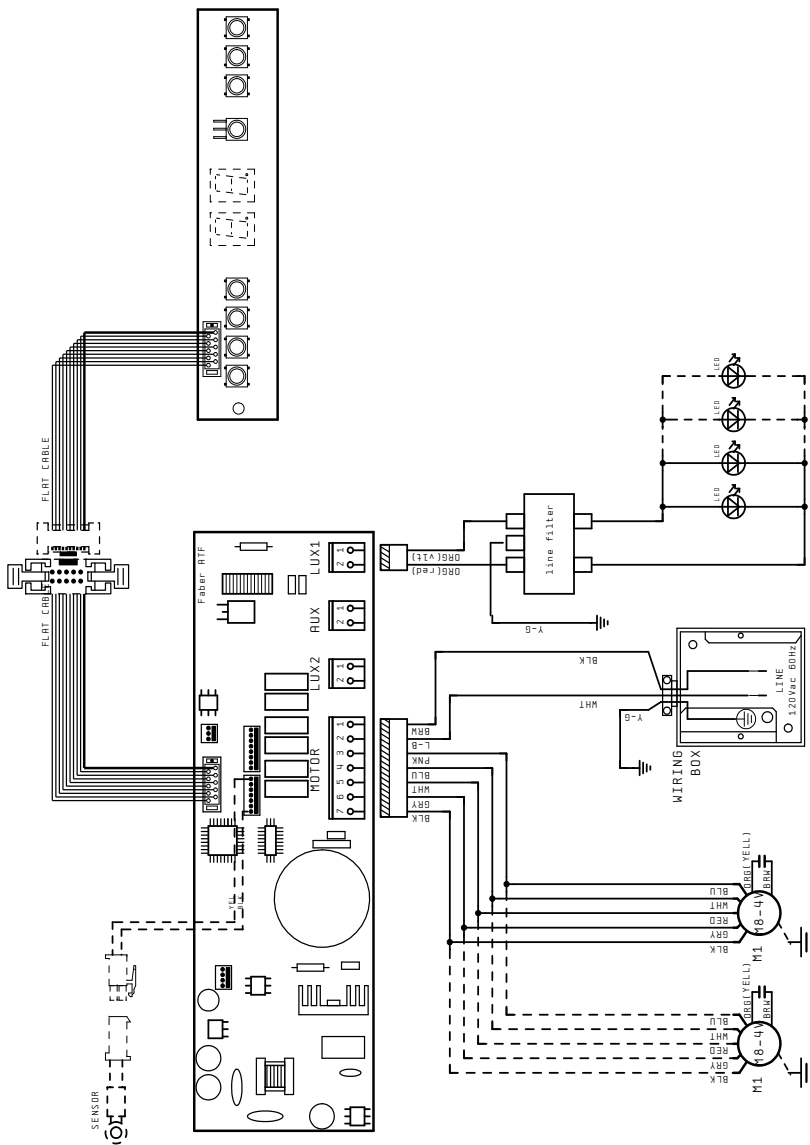
- Retirez l'écran protecteur de la lampe en faisant un effet de levier sous l'anneau métallique, en le soutenant d'une main.
- Remplacez l'ampoule avec une nouvelle du même type, en vous assurant d'insérer correctement les deux connecteurs dans leur logement sur le socle.
- Remettez l'écran protecteur de la lampe en place.



Lampes DEL à ballast intégré de type Gu10 – répondant à la norme UL 1993/nmx-j-578/1-ance/csa c22.2 No 1993



Schéma de câblage





GARANTIE LIMITÉE ET SERVICE FABER

Tous les produits Faber font l'objet d'une garantie contre les défauts de matériel et de main-d'œuvre, accordée à l'acheteur original pour une période d'un (1) an à compter de la date d'achat initiale (preuve d'achat requise). Cette garantie couvre les frais de main-d'œuvre et les pièces de rechange. À sa discrétion, Faber peut réparer ou remplacer le produit ou les composants nécessaires à remettre le produit en bon état de marche. Pour bénéficier de services prévus par la garantie, veuillez communiquer avec le détaillant auprès duquel vous avez acheté la hotte de cuisine, ou encore avec le distributeur Faber de votre région. Si vous n'êtes pas en mesure de localiser un distributeur Faber dans votre région, veuillez communiquer avec nous au 508-358-5353 pour connaître le nom d'un distributeur à proximité.

Les éléments suivants ne sont pas visés par la garantie Faber :

1. Les appels au service de réparation visant à corriger l'installation de la hotte de cuisine, à recevoir des instructions sur l'utilisation de la hotte de cuisine, le remplacement ou la réparation des fusibles du domicile ou la correction des câblages ou de la plomberie du domicile.
2. Les appels au service de réparation visant à réparer ou remplacer les ampoules électriques de hotte, les fusibles ou les filtres. Ces pièces consommables ne sont pas couvertes par la garantie.
3. Les réparations si votre hotte de cuisine est employée à des fins autres que celles prévues, soit l'utilisation résidentielle normale pour une famille.
4. Les dommages découlant d'un accident, d'une modification, de l'utilisation incorrecte ou abusive, d'un incendie, d'une inondation, d'un cas de force majeure, d'une installation inadéquate, d'une installation non conforme aux codes en matière d'électricité ou de plomberie ou à la documentation fournie par Faber, ou encore d'une utilisation du produit non approuvée par Faber.
5. Les frais de main-d'œuvre ou de remplacement des pièces pour les appareils utilisés à l'extérieur des États-Unis ou du Canada, y compris toutes les hottes de cuisine Faber non-UL ou C-UL homologuées.
6. Les réparations à la hotte découlant de modifications non autorisées apportées à la hotte de cuisine.
7. Les frais encourus pour les déplacements et le transport de produits en région éloignée et les frais de cueillette et livraison. La réparation des hottes de cuisine Faber doit être réalisée à domicile.

LA PRÉSENTE GARANTIE NE PRÉVOIT AUCUNE FORME DE DÉDOMMAGEMENT EN CAS DE DOMMAGES ACCESSOIRES OU CONSÉCUTIFS, Y COMPRIS, SANS TOUTEFOIS S'Y LIMITER, LES DOMMAGES DIRECTS, INDIRECTS, ACCESSOIRES, PARTICULIERS OU CONSÉCUTIFS, LES LÉSIONS CORPORELLES/MORTELLES OU LA PERTE DE PROFITS. LA GARANTIE OFFERTE PAR FABER EST LIMITÉE AUX CONDITIONS ÉNONCÉES CI-DESSUS ET À LA PÉRIODE DE GARANTIE INDIQUÉE DANS LES PRÉSENTES ET EST EXCLUSIVE. SAUF DISPOSITIONS EXPRESSES CONTRAIRES DANS LE PRÉSENT ACCORD, FABER DÉCLINE TOUTE CONDITION, REPRÉSENTATION OU GARANTIE EXPLICITE OU IMPLICITE, Y COMPRIS, SANS TOUTEFOIS S'Y LIMITER, TOUTE GARANTIE IMPLICITE DE QUALITÉ MARCHANDE OU D'ADAPTATION À UN USAGE PARTICULIER.

Les droits qui vous sont conférés en vertu de la présente garantie peuvent varier d'une province ou d'un État à l'autre.

N° de modèle : _____

N° de série : _____

4 janvier 2016

LEA Y GUARDE ESTAS INSTRUCCIONES ANTES DE COMENZAR A INSTALAR ESTA CAMPANA

- ADVERTENCIA: - PARA REDUCIR EL RIESGO DE INCENDIO DE LA CAMPANA POR GRASA:**
- Nunca deje las unidades de superficie desatendidas en ajustes altos. Las ebulliciones causan humo y derrames grasientos que pueden encenderse. Caliente los aceites lentamente en ajustes bajos o medios.
 - Siempre encienda la campana cuando cocine a fuego alto o cuando flamee alimentos (por ej. Crepes Suzette, Cherries Jubilee, Peppercorn Beef Flambé).
 - Limpie los ventiladores con frecuencia. No se debe permitir que la grasa se acumule en el ventilador o filtro.
 - Use un tamaño de olla adecuado. Utilice siempre utensilios de cocina apropiados para el tamaño del elemento de superficie.

ADVERTENCIA: - PARA REDUCIR EL RIESGO DE LESIONES A PERSONAS EN CASO DE INCENDIO DE GRASA, TENGA CUENTA LO SIGUIENTE*:

- APAGUE LAS LLAMAS** con una tapa ajustada, bandeja para hornear galletas o bandeja de metal, luego apague el quemador. **TENGA CUIDADO PARA EVITAR QUEMADURAS.** Si las llamas no se apagan de inmediato, **EVACUE Y LLAME AL DEPARTAMENTO DE BOMBEROS.**
- NUNCA RECOJA UNA OLLA EN LLAMAS** - Puede quemarse.
- NO USE AGUA**, incluidos paños de cocina húmedos o toallas; se producirá una violenta explosión de vapor.
- Use un extintor **SOLAMENTE** si:
 - Usted sabe que tiene un extintor Clase ABC y ya sabe cómo operarlo.
 - El fuego es pequeño y está contenido en el área donde comenzó.
 - Se llama al departamento de bomberos.
 - Puede luchar contra el fuego con su espalda hacia una salida.

* Basado en "Kitchen Firesafety Tips" publicado por NFPA

ADVERTENCIA - PARA REDUCIR EL RIESGO DE DESCARGA ELÉCTRICA O INCENDIO, no use este ventilador con ningún dispositivo de control de velocidad de estado.

ADVERTENCIA - PARA REDUCIR EL RIESGO DE INCENDIOS, DESCARGAS ELÉCTRICAS O LESIONES PERSONALES, OBSERVE LO SIGUIENTE:

- Use esta unidad solo de la manera prevista por el fabricante. Si tiene alguna pregunta, comuníquese con el fabricante.
- Antes de reparar o limpiar la unidad, apague el equipo en el panel de servicio y bloquee los medios de desconexión del servicio para evitar que la energía se encienda accidentalmente. Cuando los medios de desconexión del servicio no se puedan bloquear, fije de forma segura un dispositivo de advertencia prominente, como una etiqueta, al panel de servicio.

PRECAUCIÓN: Para uso general de ventilación solamente. No lo use para expulsar materiales y vapores peligrosos o explosivos.

ADVERTENCIA - PARA REDUCIR EL RIESGO DE INCENDIOS, DESCARGAS ELÉCTRICAS O LESIONES PERSONALES, OBSERVE LO SIGUIENTE:

- El trabajo de instalación y el cableado eléctrico deben realizarlo las personas calificadas de acuerdo con todos los códigos y estándares aplicables, incluida la construcción con clasificación de incendio.
- Se necesita suficiente aire para la combustión adecuada y el escape de gases a través del tubo de humos (chimenea) del equipo que quema combustible para evitar la retrogresión. Siga las directrices del fabricante del equipo de calefacción y las normas de seguridad tales como los publicados por la National Fire Protection Association (NFPA), la American Society for Heating, Refrigeration and Air Conditioning Engineers (ASHRAE) y las autoridades de los códigos locales.
- Al cortar o perforar la pared o el techo, no dañe el cableado eléctrico ni otros servicios ocultos.
- Los ventiladores con conductos siempre deben tener salida al exterior.

TODAS LAS ABERTURAS DE LA PARED Y EL PISO DONDE ESTÁ INSTALADA LA CAMPANA SE DEBEN SELLAR.

Esta campana requiere al menos 24" de espacio libre entre la parte inferior de la campana y la superficie de cocción o encimera. Esta campana ha sido aprobada por UL a esta distancia de la placa.

Esta separación mínima puede ser mayor dependiendo de los códigos de construcción locales. Para placas de gas y cocinas combinadas, se recomienda y puede ser necesario un mínimo de 30". Los armarios superiores a ambos lados de esta unidad deben estar a un mínimo de 18" por encima de la superficie de cocción o la encimera. Consulte las instrucciones de instalación de la placa de cocción o la campana proporcionadas por el fabricante antes de hacer cualquier corte.

INSTALACIÓN EN CASA MÓVIL La instalación de esta campana debe cumplir con las Normas de seguridad y construcción de viviendas prefabricadas, Título 24 CFR, Parte 3280 (anteriormente Norma federal para construcción y seguridad de casas móviles, Título 24, HUD, Parte 280). Vea los requisitos eléctricos.

REQUISITOS DE VENTILACIÓN

Determine qué método de ventilación es mejor para su aplicación. Los conductos pueden extenderse a través de la pared o el techo.

La longitud de los conductos y la cantidad de codos se deben mantener al mínimo para proporcionar un rendimiento eficiente. El tamaño de los conductos debe ser uniforme. No instale dos codos juntos. Use cinta adhesiva para sellar todas las juntas en el sistema de conductos. Use masilla para sellar la pared exterior o la abertura del piso alrededor de la tapa.

NO se recomiendan conductos flexibles. Los conductos flexibles crean una contrapresión y turbulencias de aire que reducen en gran medida el rendimiento.

Asegúrese de que haya espacio libre adecuado dentro de la pared o el piso para el conducto de escape antes de hacer los cortes. No corte una vigueta o poste a menos que sea absolutamente necesario. Si se debe cortar una vigueta o poste, entonces se debe construir un marco de soporte.

ADVERTENCIA - Para reducir el riesgo de incendio, use solamente conductos de metal.

PRECAUCIÓN - Para reducir el riesgo de incendio y para descargar adecuadamente el aire, asegúrese de sacar el aire hacia el exterior - No expulse los humos en espacios dentro de paredes o techos, áticos, espacios angostos o garajes.



ADVERTENCIA

- El sistema de ventilación **DEBE** terminar fuera del hogar.
- **NO** termine el conducto en un espacio ático o en otro espacio cerrado.
- **NO** use tapones de pared de 4" tipo lavadero.
- **NO** se recomiendan conductos flexibles.
- **NO** obstruya el flujo del aire de combustión y ventilación.
- El incumplimiento de los requisitos de ventilación puede provocar un incendio.



ADVERTENCIA

- Esta campana requiere conexión eléctrica de tierra.
- Si la tubería de agua fría está interrumpida por juntas de plástico, de materiales no metálicos u otros materiales, NO la utilice para conexión a tierra.
- NO conecte a tierra a una tubería de gas.
- NO tenga un fusible en el circuito neutro o de tierra. Un fusible en el circuito neutro o de tierra podría provocar una descarga eléctrica.
- Consulte con un electricista calificado si tiene dudas acerca de si la campana está correctamente conectada a tierra.
- El incumplimiento de los requisitos eléctricos puede provocar un incendio.

Advertencia de la Propuesta 65 del Estado de California (solo EE. UU.)

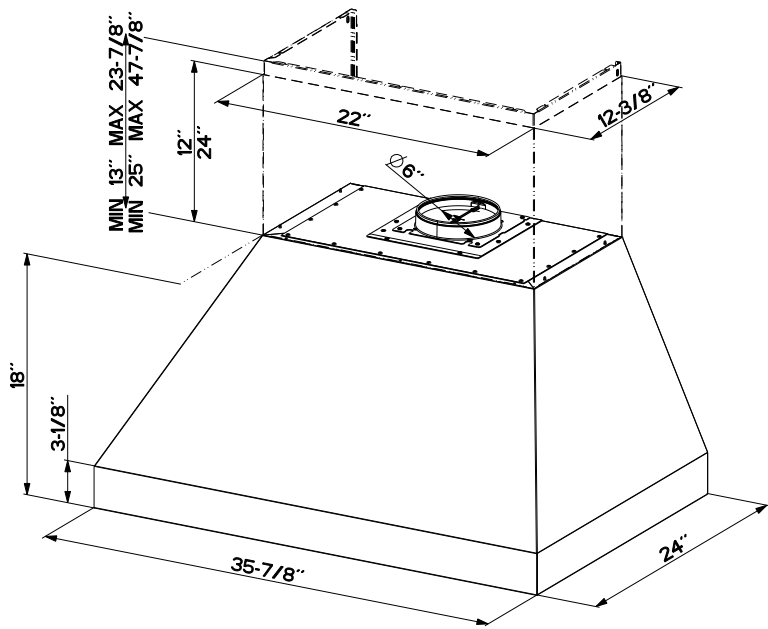
⚠ ADVERTENCIA

Este producto contiene sustancias químicas que el Estado de California considera que causan cáncer y defectos de nacimiento u otros daños reproductivos.

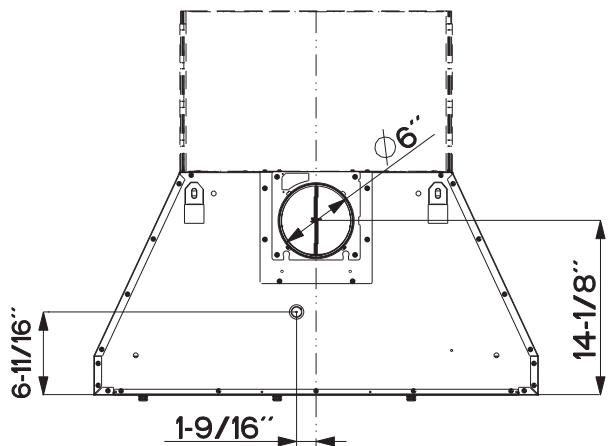
Para obtener más información, vaya a www.P65Warnings.ca.gov

Nota: La campana debe instalarse en un circuito eléctrico separado.

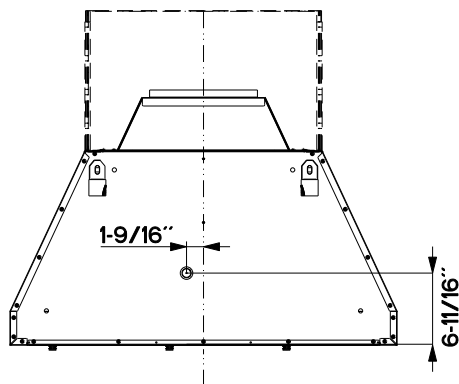
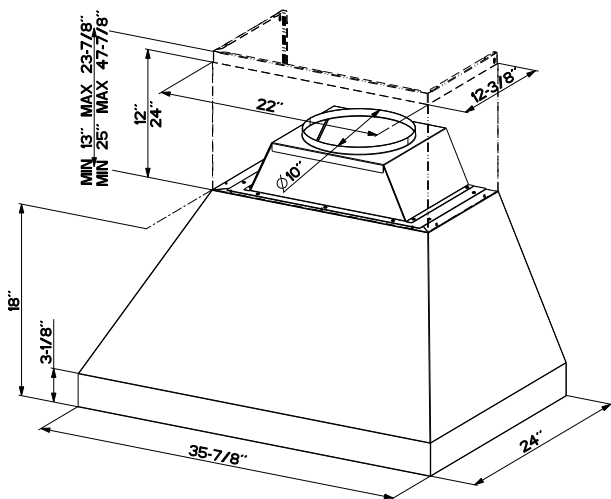
DIMENSIONES DE LA CAMPANA DE 1 MOTOR DE 36"



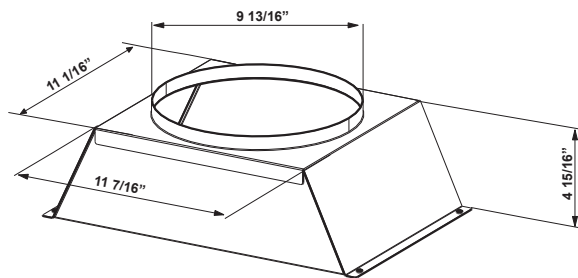
CAMPANA DE 1 MOTOR DE VENTILACIÓN TRASERA



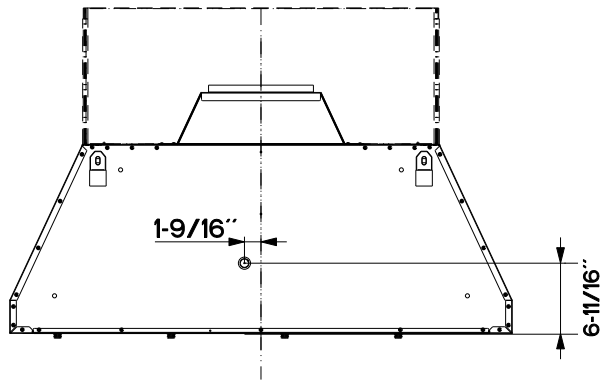
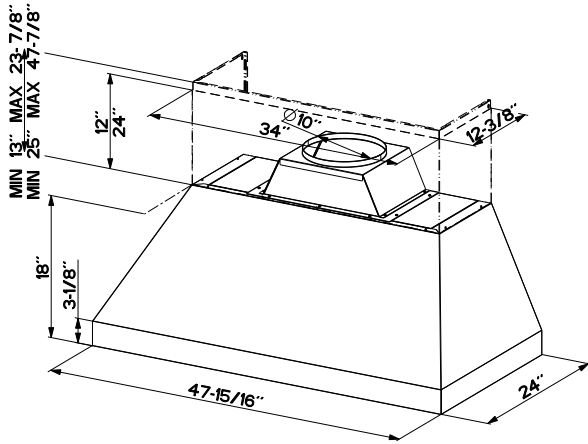
DIMENSIONES DE LA CAMPANA DE 2 MOTORES DE 36"



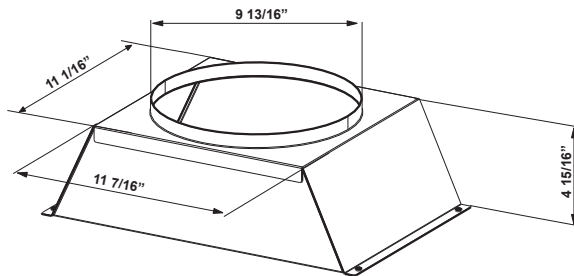
TRANSICI3N DEL CONDUCTO DE 10" PARA CAMPANA DE 2 MOTORES DE 36"



DIMENSIONES DE LA CAMPANA DE 2 MOTORES DE 48"



TRANSICIÓN DEL CONDUCTO DE 10" PARA CAMPANA DE 2 MOTORES DE 48"



PIEZAS PRINCIPALES DE LA CAMPANA DE 1 MOTOR DE 36"

Componentes

Ref. Cdad. Componentes del producto

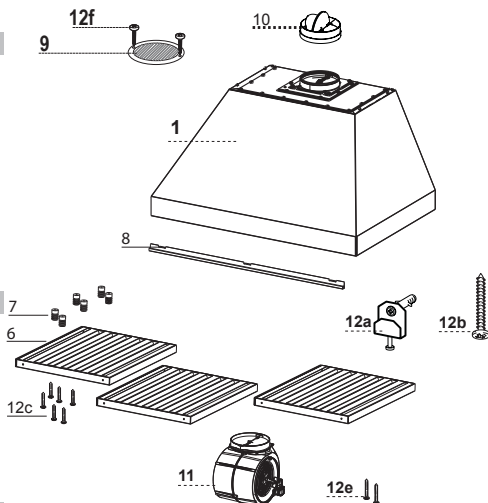
1	1	Cuerpo de la campana, completo de: Controles, Luz
6	3	Filtros de grasa
7	6	Perillas del filtro
8	1	Engrasador
9	1	Rejilla de ventilación de recirculación
10	1	Registro \varnothing 5 7/8"
11	1	Ventilador

Ref. Cdad. Componentes del Instalación

12a	2	Taco para pared
12b	4	Tornillos de 3/16"x1 15/16"
12c	6	Tornillos para filtros de grasa (3/16"x3/8")
12e	2	Tornillos de fijación del motor (3/16"x 3/8")
12f	2	Tornillos 1/8"x 3/8" (para el montaje de la rejilla de ventilación)

Cdad. Documentación

1 Manual de instrucciones



PIEZAS PRINCIPALES DE LA CAMPANA DE 2 MOTOR DE 36"

Componentes

Ref. Cdad. Componentes del producto

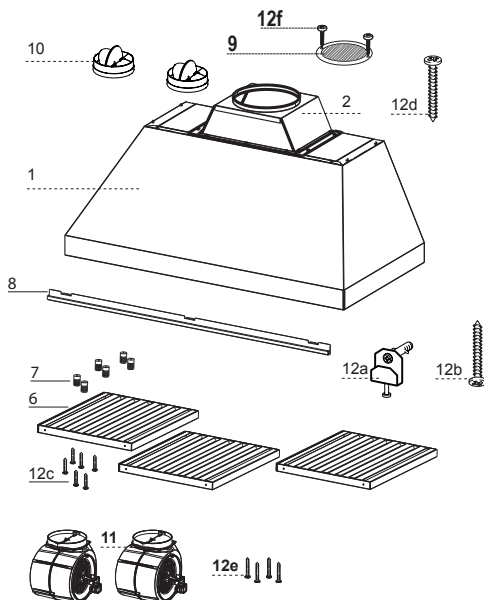
1	1	Cuerpo de la campana, completo de: Controles, Luz
2	1	Transición de conducto
6	3	Filtros de grasa
7	6	Perillas del filtro
8	1	Engrasador
9	1	Rejilla de ventilación de recirculación
10	2	Registro \varnothing 5 7/8"
11	2	Ventilador

Ref. Cdad. Componentes del Instalación

12a	2	Taco para pared
12b	4	Tornillos de 3/16"x1 15/16"
12c	6	Tornillos de filtros de grasa (5/32"x5/16")
12d	4	tornillos de 1/8"x1/4"
12e	4	Tornillos de fijación del motor (3/16"x3/8")
12f	2	Tornillos 1/8" x 3/8" (para el montaje de la rejilla de ventilación)

Cdad. Documentación

1 Manual de instrucciones



PIEZAS PRINCIPALES DE LA CAMPANA DE 2 MOTOR DE 48"

Componentes

Ref. Cdad. Componentes del producto

1	1	Cuerpo de la campana, completo de: Controles, Luz
2	1	Transición del conducto
6	4	Filtros de grasa
7	8	Perillas del filtro
8	1	Engrasador
9	1	Rejilla de ventilación de recirculación
10	2	Registro \varnothing 5 7/8"
11	2	Ventilador

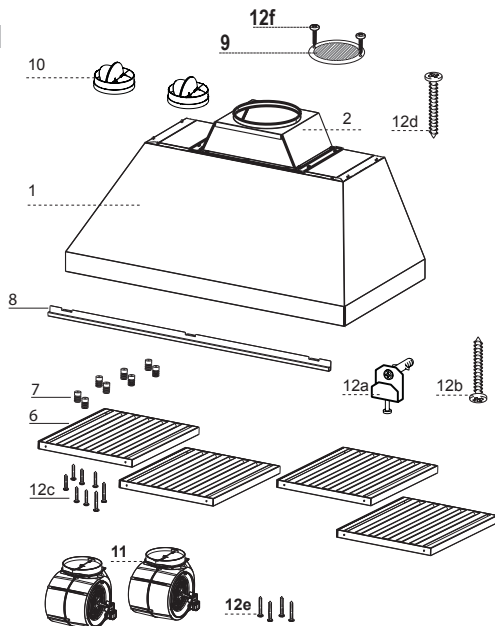
Ref. Cdad. Componentes del Instalación

12a	2	Taco para pared
12b	4	Tornillos de 3/16"x1 15/16"
12c	8	Tornillos para filtros de grasa (5/32"x5/16")
12d	4	tornillos 1/8"x1/4"
12e	4	Tornillos de fijación del motor (3/16"x 3/8")
12f	2	Tornillos 1/8"x 3/8"

(para el montaje de la rejilla de ventilación)

Cdad. Documentación

1	Manual de instrucciones
---	-------------------------



PIEZAS NECESARIAS

Conducto metálico redondo de 6"

ACCESORIOS DISPONIBLES

Cubierta telescópica del conducto de chimenea:

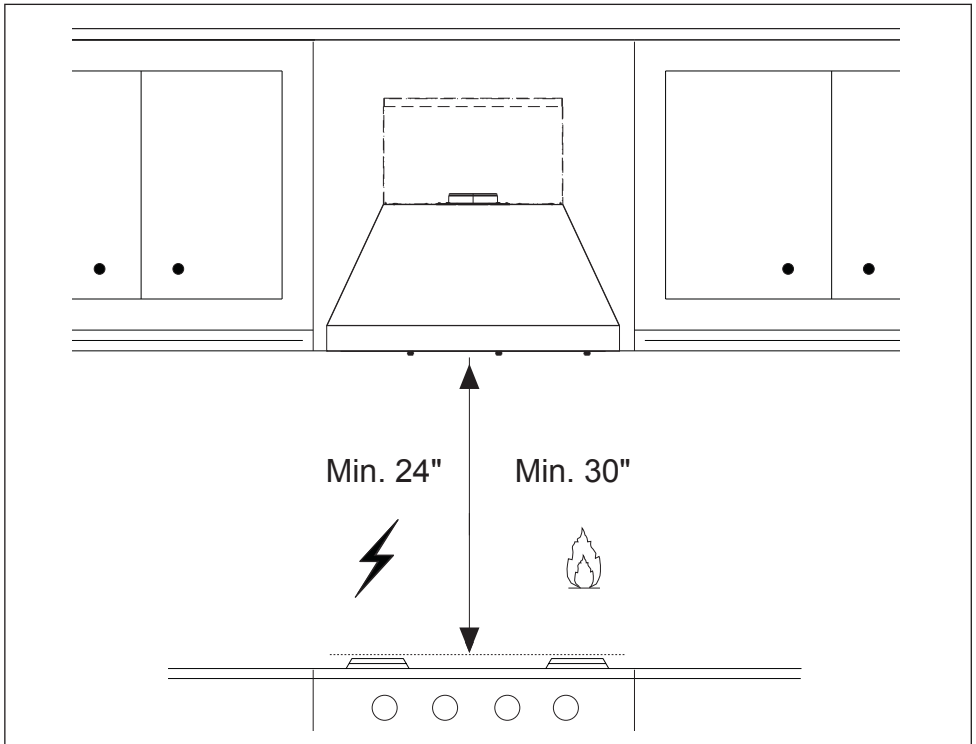
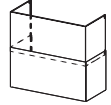
- sku#: CHIM3448 (Usar con Camino Pro de 48")
- sku#: CHIM2224 (Usar con Camino Pro de 36")
- sku#: CHIM2248 (Usar con Camino Pro de 36")
- sku#: CHIM3424 (Usar con Camino Pro de 48")

Kit de accesorio reductor CFM sku#: CFMRED

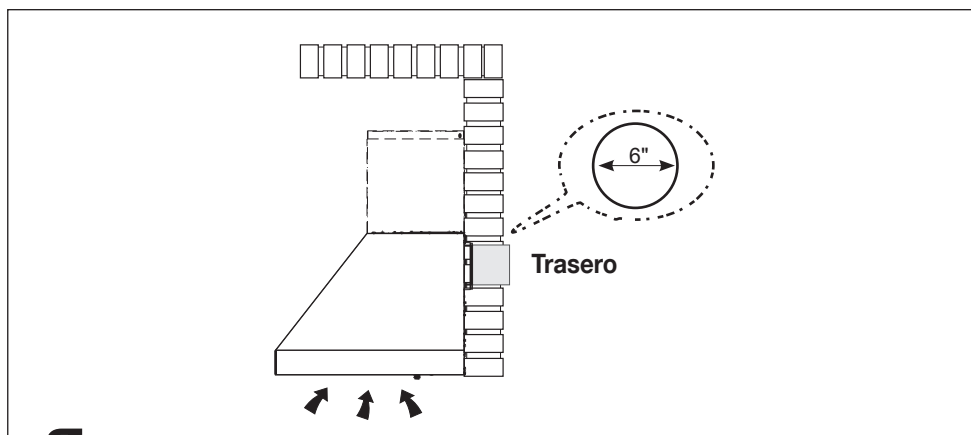
Kit de accesorio reductor CFM sku#: CFMRED-2

Filtro de carbón activado sku #: FILTER1

Kit de filtro de carbón, lavable, de larga duración sku#: FILTER1LL

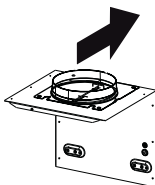
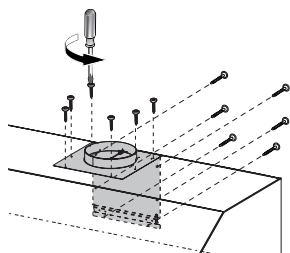


CAMPANA DE 1 MOTOR INFORMACIÓN TRASERA



CAMPANA DE 1 MOTOR INSTALACIÓN DE CONDUCTO TRASERO

1



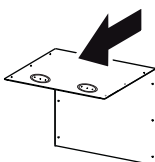
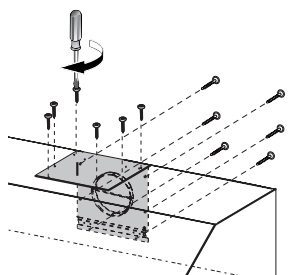
Solo para la primera instalación.

Para una instalación de conducto trasero, el soporte del ventilador debe estar desatornillado, quitando primero los 12 tornillos, como se muestra en la figura.

180°

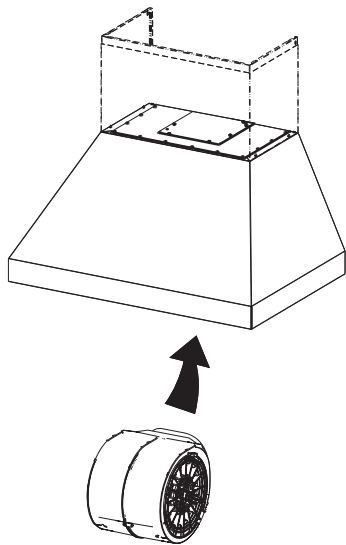
Una vez retirados los tornillos, extráigalo del cuerpo de la campana y colóquelo de modo que la abertura de transición quede orientada hacia la pared posterior (desde la parte posterior, gírelo 180 grados hacia la izquierda y gírelo hacia atrás 90 grados como se muestra en el diagrama).

90°



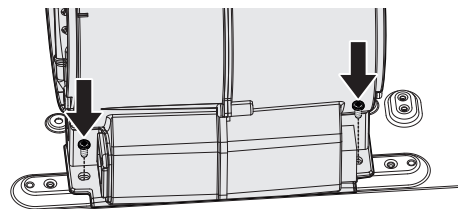
Una vez que el soporte del ventilador esté en su lugar, vuelva a instalar los 12 tornillos para sujetar el soporte al cuerpo de la campana.

2



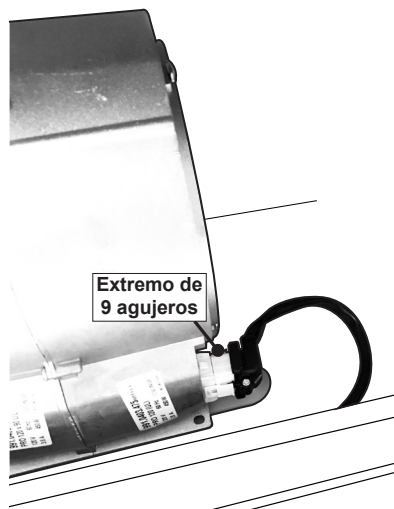
Coloque el motor en el cuerpo de la campana.

3



Instale el motor en la parte superior de la campana con los 2 tornillos 12e suministrados.

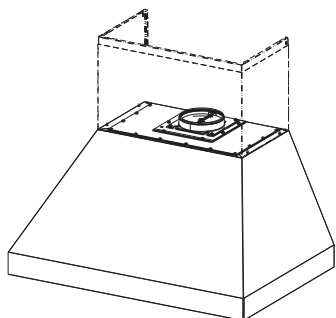
4



Conecte el extremo de 9 orificios del cable al motor.

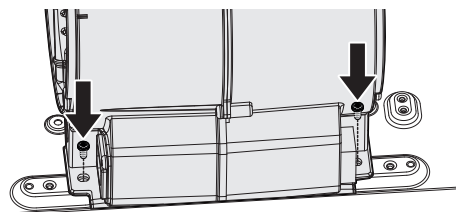
INSTALACIÓN DE LA CAMPANA DE 1 MOTOR SUPERIOR DE CONDUCTO

1



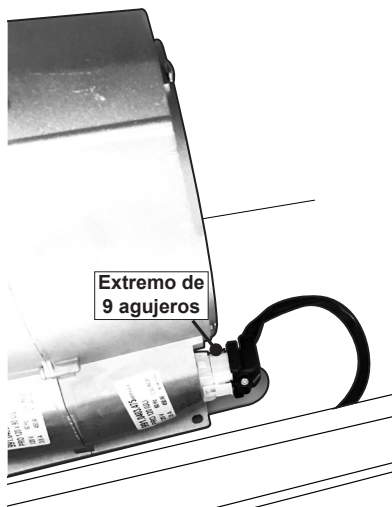
Coloque el motor en el cuerpo de la campana.

2



Instale el motor en la parte trasera de la campana con los 2 tornillos 12e suministrados.

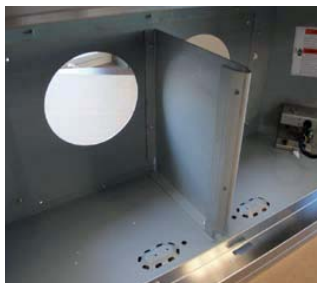
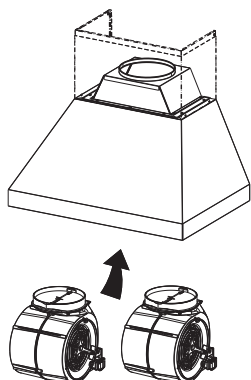
3



Conecte el extremo de 9 orificios del cable al motor.

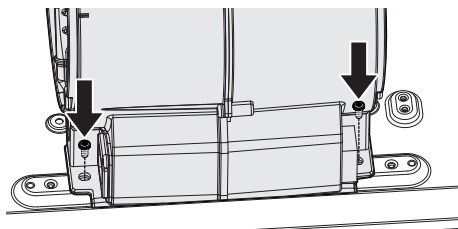
INSTALACIÓN DE LA CAMPANA DE 2 MOTOR SUPERIOR DE CONDUCTO

1



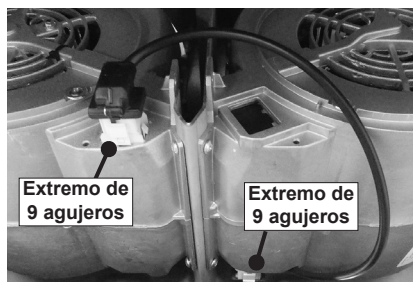
Coloque los 2 motores en el cuerpo de la campana. Dentro de la campana hay un divisor de soporte del ventilador y los motores estarán uno por lado.

2



Instale los 2 motores a los lados del soporte del ventilador utilizando los 4 tornillos 12e suministrados.

3

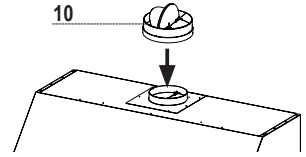
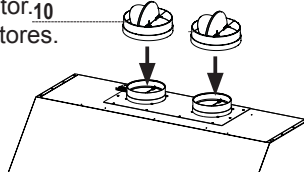


Conecte el extremo de 9 agujeros del cable al motor izquierdo y el otro extremo de 9 agujeros del cable al motor derecho.

INSTRUCCIONES DE INSTALACIÓN

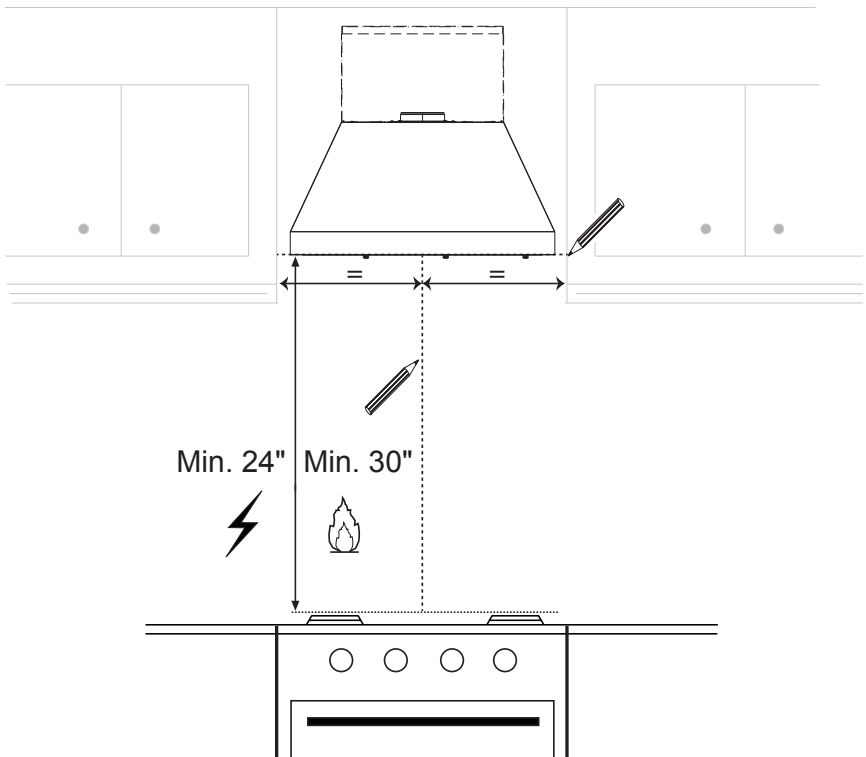
Instale el registro que se incluye con la campana antes de la conexión a la red de conductos.

Uno para el modelo de 1 motor. **10**
Dos para el modelo de 2 motores.



Instrucciones de instalación para el montaje en la pared

1

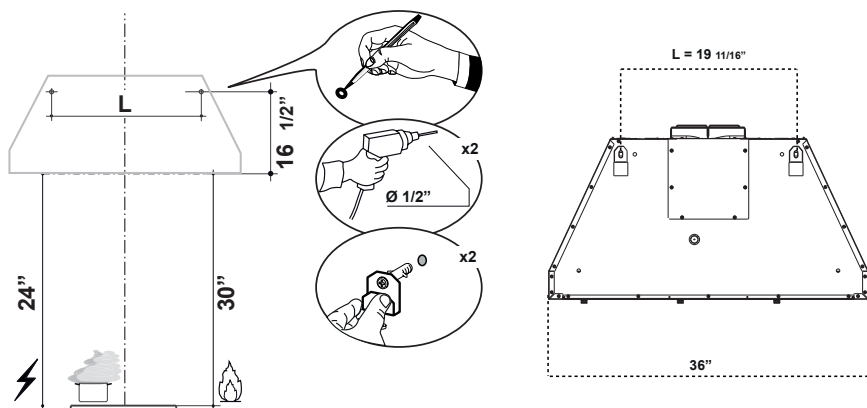


Dibuje una línea vertical en la pared de soporte tan alto como sea posible, en el centro del área donde se instalará la campana.

Dibuje una línea horizontal en donde se ubicará el borde inferior de la campana, como se indica en la figura, que es un mínimo de 24" o 30" sobre la superficie de cocción.

2.a

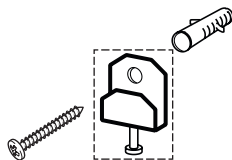
Instalación para la campana de 1 motor



Marque la pared donde se indica, 16 1/2" sobre la línea horizontal y a la distancia L a la izquierda y derecha de la línea vertical. La distancia L cambia para todas las dimensiones de campanas. Inserte los dos tacos 12a en los agujeros como se muestra y fíjelos.

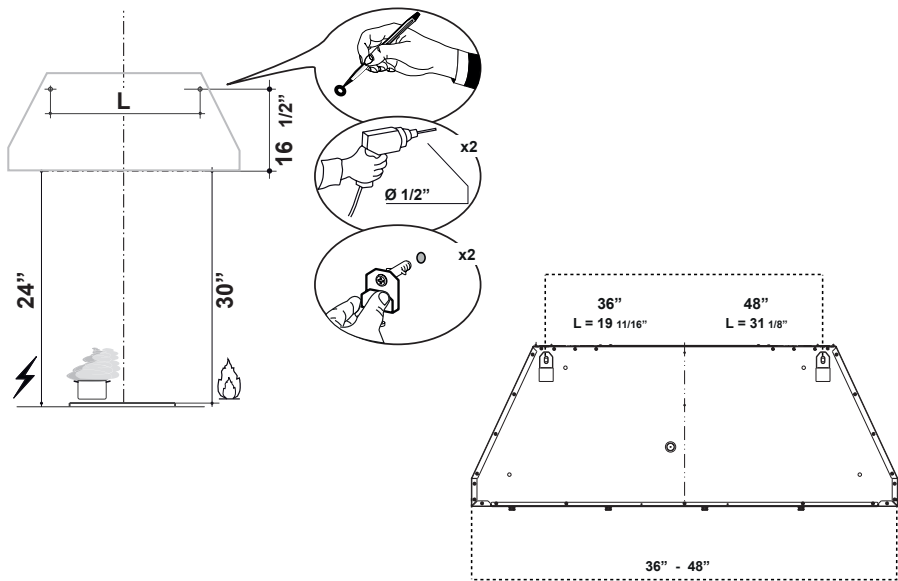


Para otro tipo de pared, es posible utilizar sólo el soporte quitando el taco y el tornillo del taco 12a. Combine el soporte con un taco de pared o tornillo específico.



2.b

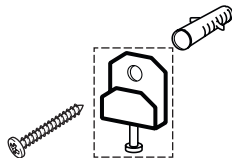
Instalación para la campana de 2 motor



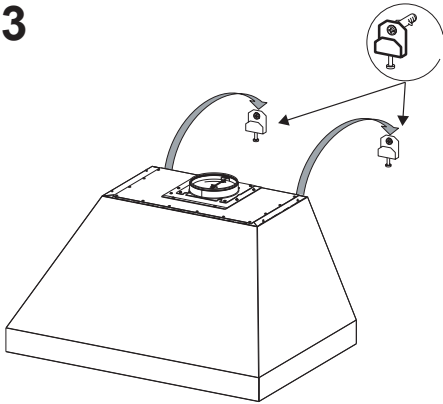
Marque la pared donde se indica, 16 1/2" sobre la línea horizontal y a la distancia L a la izquierda y derecha de la línea vertical. La distancia L cambia para todas las dimensiones de campanas. Inserte los dos tacos 12a en los agujeros como se muestra y fíjelos.



Para otro tipo de pared, es posible utilizar sólo el soporte quitando el taco y el tornillo del taco 12a. Combine el soporte con un taco de pared o tornillo específico.

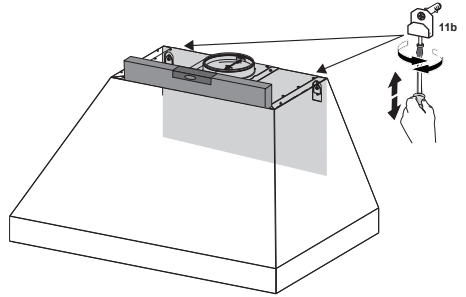


3



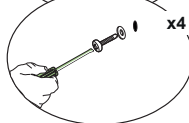
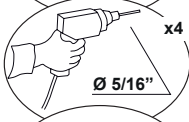
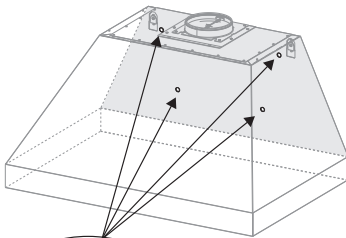
Enganche el cuerpo de la campana en los tacos 12a.

4



Use un nivel para asegurarse de que el soporte de fijación esté nivelado ajustando los tornillos como se muestra en la imagen.

5



Marque la pared donde se indica.

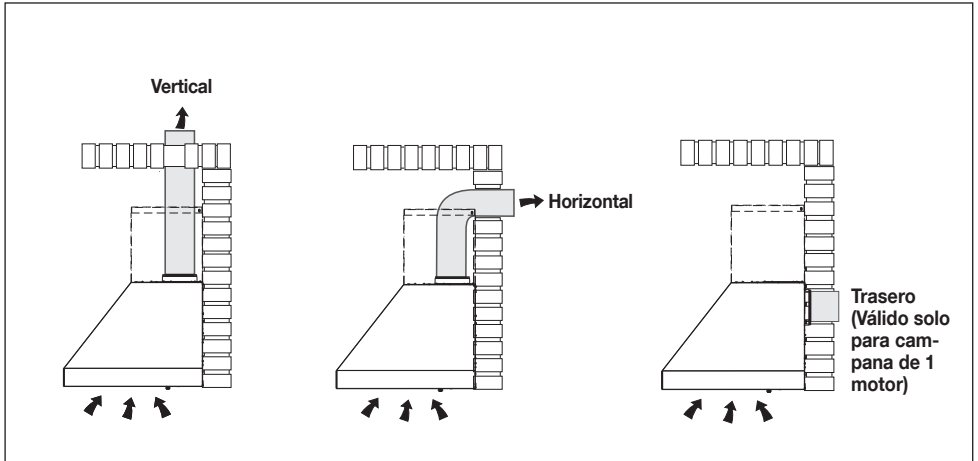
Perfore directamente agujeros de \varnothing 5/16" en todos los puntos centrales marcados.

Inserte los tacos comprados en los agujeros.

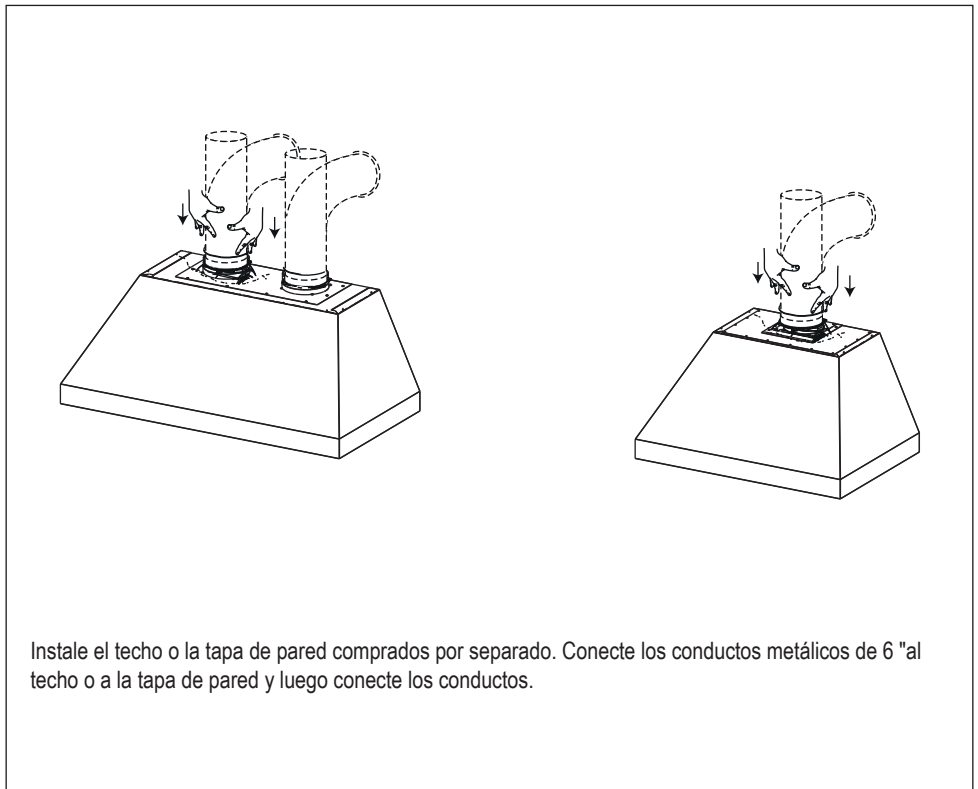
Use los tornillos restantes para anclar la campana en los agujeros.

Si la instalación utiliza la extensión telescópica de la chimenea, consulte el manual de instalación incluido en el kit de chimenea (CHIM3448 - CHIM2224 - CHIM2248 - CHIM3424).

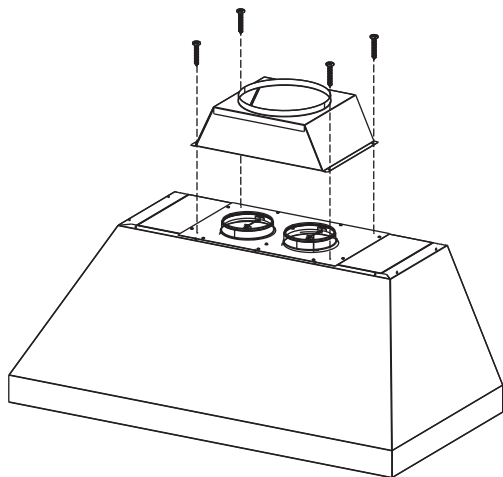
MÉTODOS DE COLOCACIÓN DE CONDUCTOS ESTÁNDAR PARA 1 O 2 MOTORES



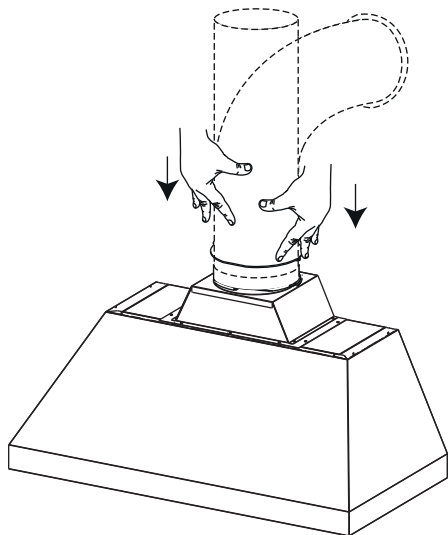
MÉTODOS DE COLOCACIÓN DE CONDUCTOS PARA 1 O 2 MOTORES DE 6"



MÉTODOS DE COLOCACIÓN DE CONDUCTOS PARA 2 MOTORES DE 10"

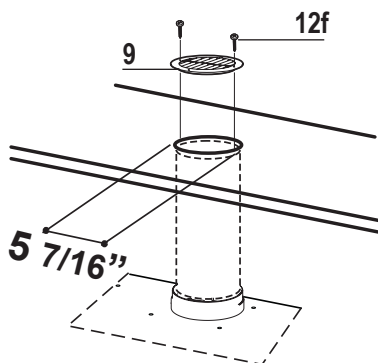


Fije la transición del conducto en el cuerpo de la campana con 4 tornillos 12d.



Instale el techo o la tapa de pared comprados por separado. Conecte los conductos metálicos de 10" al techo o a la tapa de pared y luego conecte los conductos.

Sin conductos - Opción de recirculación



Para la ventilación de recirculación sin conducto, dirija la tubería a una ubicación por encima de la campana donde la descarga se ventila de regreso a la sala.

Use la rejilla de ventilación de recirculación incluida (**9**) para cubrir la abertura. Fije la rejilla con los 2 tornillos (**12f**) provistos en el kit de instalación.

Si no se utiliza la rejilla direccional, coloque un tubo recto de al menos 15" de largo desde la salida de aire de la campana hasta la unidad de pared.

Accesorio de filtro de carbón activado
requerido - sku # FILTER2 FILTER1
Accesorio de filtro de carbón activado
de larga duración - sku # FILTER2
FILTER1LL
(comprado por separado)



INSTRUCCIONES DE RECIRCULACIÓN

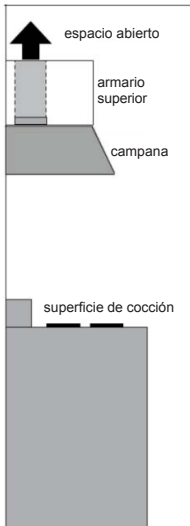


FIGURE 3A

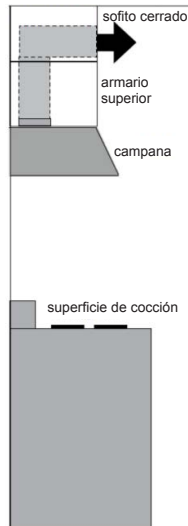


FIGURE 3B

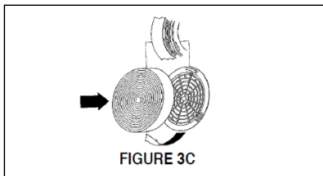


FIGURE 3C

Nota: recomendado solo para la versión de 600 CFM

Nota: Se recomienda que la cocina de estilo profesional siempre esté ventilada hacia el exterior; para las instalaciones de recirculación, se requieren algunos trabajos en los conductos para sacar la unidad del armario.

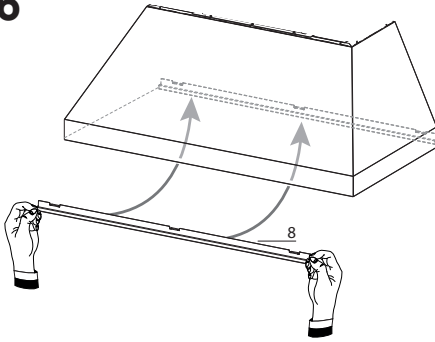
INSTALACIONES DE RECIRCULACIÓN

Para las instalaciones de recirculación, se necesitan filtros de carbón. Retire todos los filtros de grasa y déjelos a un lado. Conecte un filtro de carbón a cada extremo del soplador. Cada filtro de carbón se conecta a la rejilla en el costado del ventilador. Gire el filtro en el sentido horario para instalarlo y en sentido antihorario para extraerlo (FIGURA 3C). Reemplace todos los filtros de grasa.

Se deben instalar algunos conductos para la salida de la campana en la cocina, ya sea en la parte superior del armario (FIGURA 3A) o en la parte frontal o lateral del sofito (FIGURA 3B). Instale al menos 15" de conducto metálico (fig.3A y 3B) en la salida de aire. Corra el conducto verticalmente y fíjelo en el corte de apertura en la parte superior o lateral del armario o sofito. Instalación

Accesorio de filtro de carbón activado requerido -
sku # FILTER1
Accesorio de filtro de carbón activado de larga
duración - sku # FILTER1LL
(comprado por separado)



6

Enganche el engrasador (8) colocándolo en el interior de la campana. Es posible lavar y reposicionar el engrasador dentro de la campana.

7

Instalación de la conexión de cableado

Desconecte la fuente de alimentación dedicada a la campana.

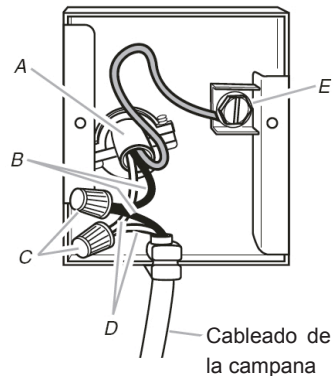
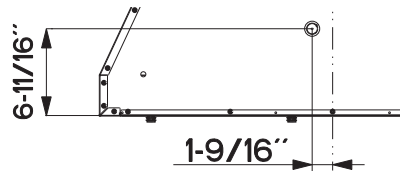
Retire el panel eléctrico del cableado con un destornillador de hoja plana. Alimente el cable de alimentación a través del panel eléctrico.

Conecte el cable de la fuente de alimentación a la campana. Conecte el cable blanco de la fuente de alimentación (A) al cable blanco de la campana (D) con un conector de cable tipo twist-on. Conecte el cable negro de la fuente de alimentación al cable negro de la campana (B) con un conector de cable tipo twist-on (C). Conecte el cable de tierra verde (E) (verde y amarillo) debajo del tornillo de conexión a tierra verde. Reemplace la cubierta del compartimiento de cableado de campo y los filtros de grasa.

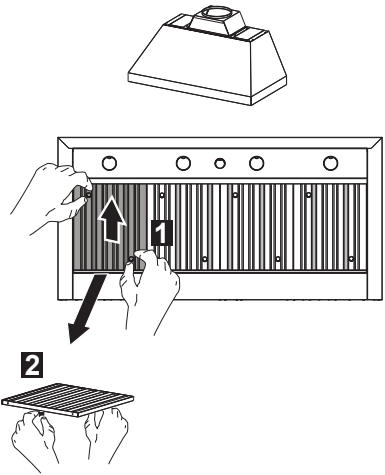
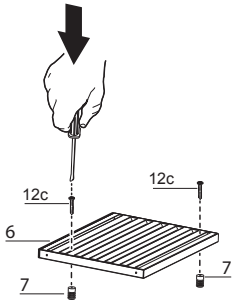
Conecte los conductos al registro y selle todas las conexiones con cinta adhesiva para conductos.

Encienda la fuente de alimentación. Encienda el ventilador y la luz. Si la campana no funciona, compruebe que el disyuntor no se haya disparado o que el fusible de la casa no esté fundido. Si la unidad sigue sin funcionar, desconecte la fuente de alimentación y verifique que las conexiones de cableado se hayan realizado correctamente.

Vuelva a colocar la cubierta del compartimiento de cableado de campo.



Cableado de la campana

8

Antes de instalar los filtros (6), apriete las 2 perillas (7) con 2 tornillos (12c).
Use las dos manos para insertar y retirar los filtros.
La campana de 36" tiene 3 filtros.
La campana de 48" tiene 4 filtros.

INSTALACIÓN CONTINUADA

Instalación opcional de la extensión de la chimenea telescópica

Consulte las instrucciones en los accesorios de la cubierta del conducto de la chimenea.

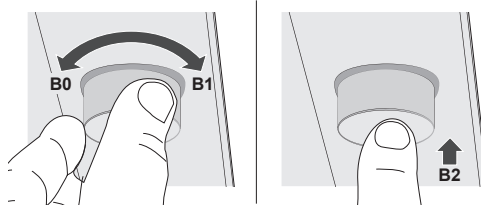
INFORMACIÓN DE USO Y CUIDADO

Panel de Control de la Campana

El panel de control se encuentra en el centro de la parte inferior de la campana.



Atención: NO forzar la rotación del mando más allá de su final de carrera.

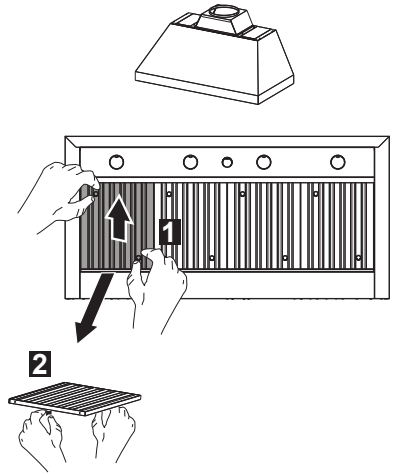


Función	Operación	Color de LED / Patrón de luz
Luces - Atenuador	Presione el botón una vez para encender las luces en el atenuador (B2)	
Luces - Alto	Presione el botón una segunda vez para encender las luces en alto (B2)	
Luces - Apagadas	Presione el botón una tercera vez para apagar las luces (B2)	
Velocidad 1	Gire rápido la perilla hacia la derecha (1ª vez) (B1)	Verde - Fijo
Velocidad 2	Gire rápido la perilla hacia la derecha (2ª vez) (B1)	Amarillo - Fijo
Velocidad 3	Gire rápido la perilla hacia la derecha (3ª vez) (B1)	Rojo - Fijo
Velocidad intensiva (el motor se apaga después de 10 minutos de funcionamiento)	Gire rápido la perilla hacia la derecha (4ª vez) (B1)	Rojo - Parpadeando
Apagar el motor	Mientras esté a cualquier velocidad, mantenga la perilla durante 2 segundos hacia la izquierda para apagar el motor. Alternativamente, un rápido giro de la perilla hacia la izquierda, hacia atrás, a través de las velocidades (1 giro hacia la izquierda, pasada la velocidad 1), apaga el motor. (B0)	Sin color
Apagado automático con retardo	Mantenga la perilla hacia la derecha durante 2 segundos. La campana y las luces permanecen encendidas durante 10 minutos, luego se apagan. (B1)	La velocidad seleccionada parpadea
Sensor de calor activo	Pulse el botón durante 2 segundos (B2)	El rojo parpadea una vez
Sensor de calor inactivo	Pulse el botón durante 2 segundos (B2)	El rojo parpadea tres veces
Fallo del sensor de calor		El morado parpadea
Características del sensor de calor	Si el motor está apagado y la temperatura alcanza aproximadamente 130 grados F (55 grados °C), el ventilador se enciende a la velocidad 2 durante un mínimo de 15 minutos. Una vez que la temperatura ha bajado a menos de 130 grados F (55 grados °C), el motor se apaga. Si opera la campana manualmente durante esta función, el sensor de encendido automático se desactiva durante 15 minutos.	Rojo - Parpadeando
El sensor de calor falla	Si la temperatura sigue siendo demasiado alta, el ventilador permanece encendido hasta 90 minutos hasta que la temperatura desciende por debajo de los 130 grados F (55 grados °C).	Rojo - Parpadeando

Limpeza de los filtros de grasa metálicos

Los filtros de grasa metálicos se pueden limpiar en solución de detergente caliente o lavarse en el lavavajillas. Deben limpiarse cada 2 meses, o con mayor frecuencia si el uso es particularmente pesado.

- Instale el engrasador en la parte posterior de la campana, en las ranuras del piso interior de la parte posterior de la campana.
- Los filtros de grasa deben instalarse antes de operar la campana.
- Para instalar los filtros, use las dos perillas para sostener el filtro e inserte el filtro en el borde delantero de la cubierta con las perillas hacia afuera en la ranura con resorte. Instale el otro extremo del filtro sobre el engrasador en la parte posterior de la campana.
- No puede haber agua en los filtros antes de volver a instalarlos en la campana.

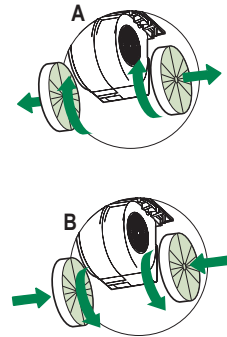


Reemplazo del filtro de carbón activado

Los filtros de carbón activado no son lavables y no se pueden regenerar, y deben reemplazarse aproximadamente cada 4 meses de operación, o con mayor frecuencia con un uso intensivo.

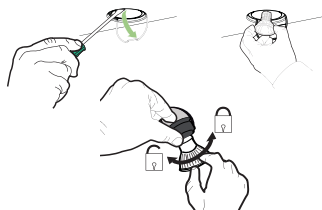
- Retire el filtro de carbón girándolo en el sentido de las agujas del reloj (hacia atrás) hasta que se desbloquee de la carcasa del motor y salga lateralmente.
- Para volver a insertar cada filtro de carbón, colóquelo contra el costado del soplador y empújelo hacia adentro. Luego gire el filtro de carbón en sentido horario (hacia adelante) hasta que encaje en su lugar.

Precaución: "Cuando se usa en el modo de recirculación, para reducir el riesgo de incendio y descarga eléctrica, utilice únicamente el kit de conversión Modelo FILTER 1 FILTER1LL".



Unidad de iluminación

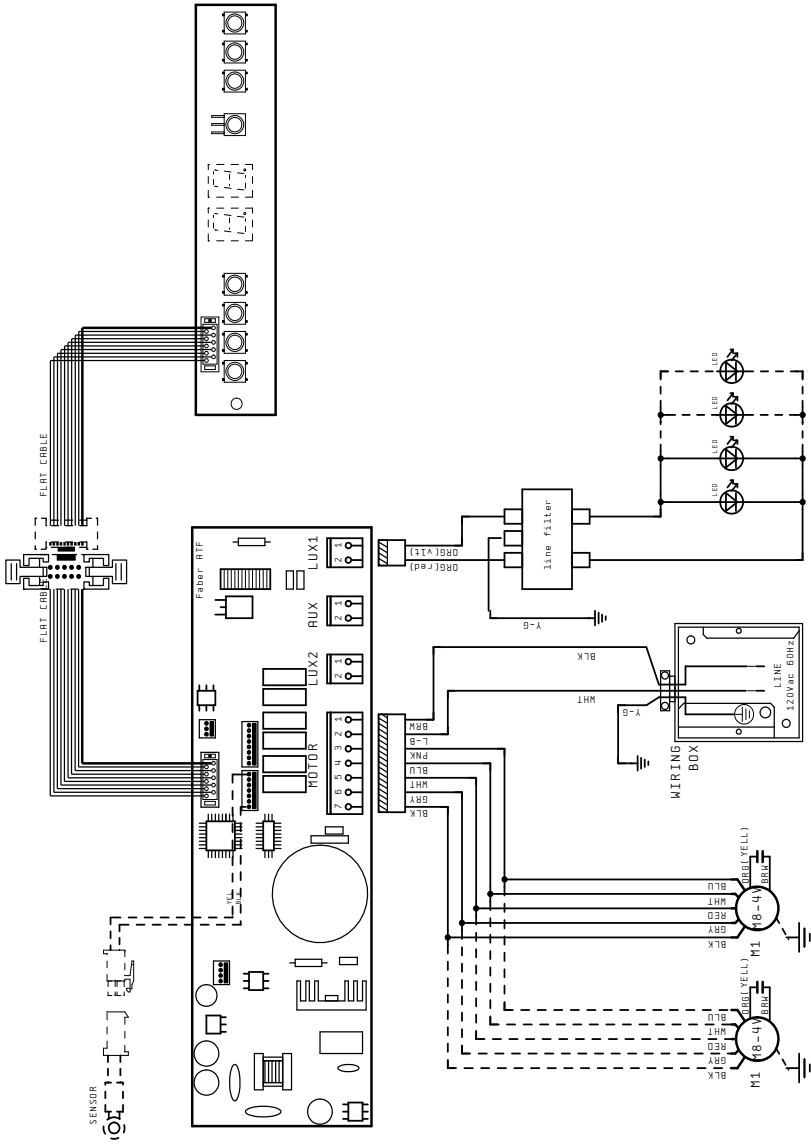
- Quite la cubierta de la lámpara a presión al presionarla desde debajo del anillo metálico, sujetándola con una mano.
- Reemplace la lámpara por una nueva del mismo tipo, asegurándose de insertar las dos clavijas correctamente en los alojamientos del portalámparas.
- Reemplace la cubierta de la lámpara a presión.



Lámparas led autobalastadas Gu10 - homologadas de acuerdo con ul 1993/nmx-j-578/1-ance/csa c22.2 N. 1993



Diagrama de cableado



Esta garantía Aplica para USA y Canada



GARANTÍA Y SERVICIO AL CONSUMIDOR FABER

Todos los productos Faber están garantizados contra cualquier defecto de materiales o mano de obra para el comprador original por un período de 1 año a partir de la fecha de compra original (requiere prueba de compra). Esta garantía cubre mano de obra y piezas de repuesto. Faber, a su elección, puede reparar o reemplazar el producto o componentes necesarios para restaurar el producto en buenas condiciones de trabajo. Para obtener el servicio de garantía, póngase en contacto con el distribuidor de quien adquirió la campana extractora o con el distribuidor local de Faber. Si no puede identificar a un distribuidor local de Faber, comuníquese con nosotros al (508) 358-5353 para obtener el nombre de un distribuidor en su área.

Lo siguiente no está cubierto por la garantía de Faber:

1. Llamadas de servicio para corregir la instalación de su campana extractora, para instruirle sobre cómo usar su campana extractora, para reemplazar o reparar fusibles de la casa o para corregir el cableado de la casa o la plomería.
2. Llamadas de servicio para reparar o reemplazar las bombillas, fusibles o filtros de la campana extractora. Estas partes de consumibles están excluidas de la cobertura de la garantía.
3. Reparaciones, cuando su campana extractora se utiliza para uso doméstico distinto al normal.
4. Daños resultantes de accidente, alteración, mal uso, abuso, incendio, inundación, eventos naturales, instalación incorrecta, instalación no conforme a los códigos eléctricos o de plomería o la documentación de Faber, o uso de productos no aprobados por Faber.
5. Piezas de repuesto o costos de mano de obra de reparación para unidades operadas fuera de los Estados Unidos o Canadá, incluyendo cualquier campana de cocina Faber no aprobada por UL o C-UL.
6. Reparaciones a la campana resultantes de modificaciones no autorizadas a la misma.
7. Gastos de viaje y transporte para el servicio del producto en lugares remotos, y gastos de recogida y entrega. Las campanas de cocina Faber deben ser reparadas en el hogar.

ESTA GARANTÍA NO PERMITE LA RECUPERACIÓN DE DAÑOS INCIDENTALES O CONSECUENTES, INCLUYENDO, SIN LIMITACIÓN, DAÑOS DIRECTOS, INDIRECTOS, INCIDENTALES, ESPECIALES O CONSECUENTES, LESIONES PERSONALES O MUERTE INCORRECTA O BENEFICIOS PERDIDOS. LA GARANTÍA DE FABER SE LIMITA A LAS CONDICIONES ANTERIORES Y AL PERÍODO DE GARANTÍA ESPECIFICADO AQUÍ Y ES EXCLUSIVA. EXCEPTO DADO LO EXPRESAMENTE ESPECIFICADO EN ESTE ACUERDO, FABER RENUNCIA A TODAS LAS CONDICIONES, REPRESENTACIONES Y GARANTÍAS EXPRESAS O IMPLÍCITAS INCLUYENDO, SIN LIMITACIÓN, CUALQUIER GARANTÍA IMPLÍCITA DE COMERCIABILIDAD O ADECUACIÓN PARA UN PROPÓSITO PARTICULAR.

Esta garantía le otorga derechos legales específicos que pueden variar de estado a estado.

Modelo: _____ Número de serie _____

