

PP9030SJ

GE Profile™ Series 30" Built-In Touch Control Electric Cooktop

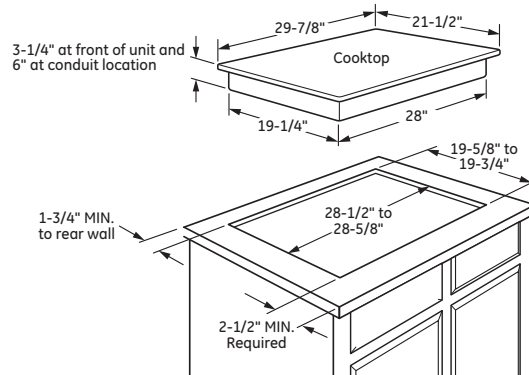
DIMENSIONS AND INSTALLATION INFORMATION (IN INCHES)

IMPORTANT: Requires a 5" free area between the bottom of the cooktop to any combustible material, i.e., shelving. Free area not required when installing wall oven underneath cooktop. Refer to installation instructions. Requires a 15" minimum from cooktop to adjacent overhead cabinets. Units are furnished with a 48" flexible armored cable.

NOTE: 30" Ribbon cooktops are approved for use over select GE 27" and GE 30" Single Wall Ovens and Warming Drawers. Refer to cooktop and wall oven/warming drawer installation instructions packed with product for current dimensional data. If installed with a GE Telescopic Downdraft System, consult both the cooktop and downdraft installation instructions packed with product before installing. Cooktop gas/electric supply may need to be re-routed to install downdraft. The countertop cutout requires 23-1/2" minimum flat countertop surface and 25" minimum total countertop depth. In addition, other clearances to front edge of the countertop must be considered. **Before installing, consult installation instructions packed with product for current dimensional data.**

CUTOUT FILLER TRIM KIT: A filler trim kit is available for use if your countertop cutout is larger than the dimension shown, up to 29-13/16" x 20-7/16". Order JXTR32B for black or JXTR32W for white, to reduce the cutout opening for installation of this cooktop. These kits may be ordered from your GE Dealer.

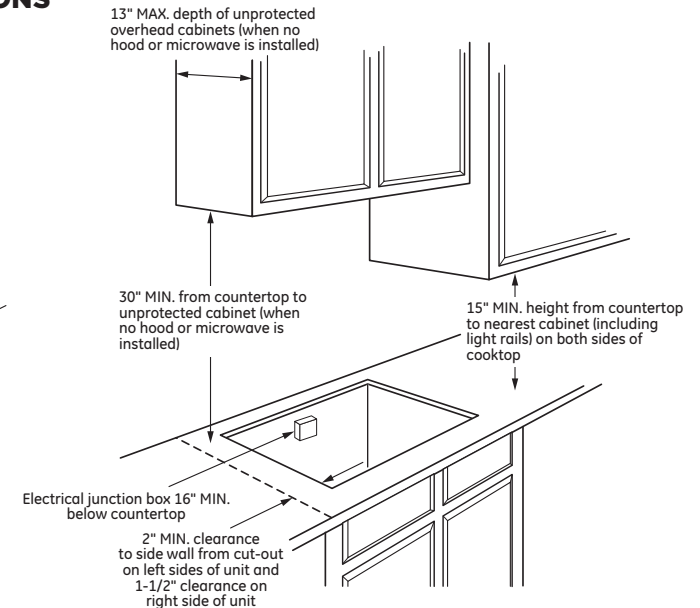
APPROXIMATE COOKING DIMENSIONS



To insure accuracy, it is best to make a template when cutting the opening in the counter

KW Rating	
240V	9.5
208V	8.2
Amperage	
240V	39.6 Amps†
208V	39.6 Amps†

†NOTE: Check local codes for required breaker size



For answers to your Monogram,® GE Profile™ or GE® appliance questions, visit our website at geappliances.com or call GE Answer Center® service, 800.626.2000.



PP9030SJ

GE Profile™ Series 30" Built-In Touch Control Electric Cooktop

FEATURES AND BENEFITS

Five radiant cooking elements - Cook foods quickly and evenly on this sleek, glass surface

Glide touch controls - Precisely control heat instantly and easily with one swipe

6"/9" Power Boil element - Use different pan sizes on this single, 3,100-watt flexible element that produces rapid powerful heat

5"/8" dual element - Use different pan sizes on this single, 2,200-watt flexible element

SyncBurners - Control two 7" elements simultaneously to evenly heat large cookware or griddles*

Multi-element timer - Manage up to five pans at once with individual timers for each element

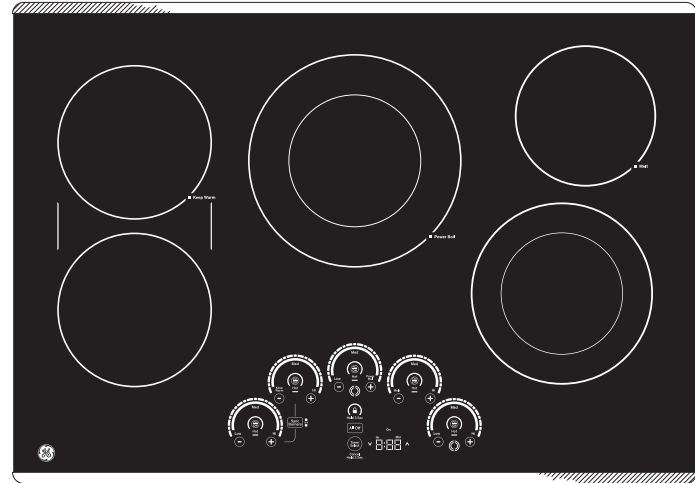
Control lock capability - Protects against unintended activation

Custom Settings - Personalize your cooktop settings to fit your cooking style

Red LED display with black glass surface and stainless steel trim - Achieve a modern look that complements the entire kitchen and other stainless steel appliances

Hot surface indicator lights - Know when elements are too hot to touch with a quick glance

Model PP9030SJSS - Stainless steel



*OPTIONAL STAINLESS STEEL CLAD ALUMINUM GRIDDLE

Achieve even results with this lightweight griddle, tailored to fit GE SyncBurners. Order part number JXGRIDLI from your GE Dealer.



GE APPLIANCES