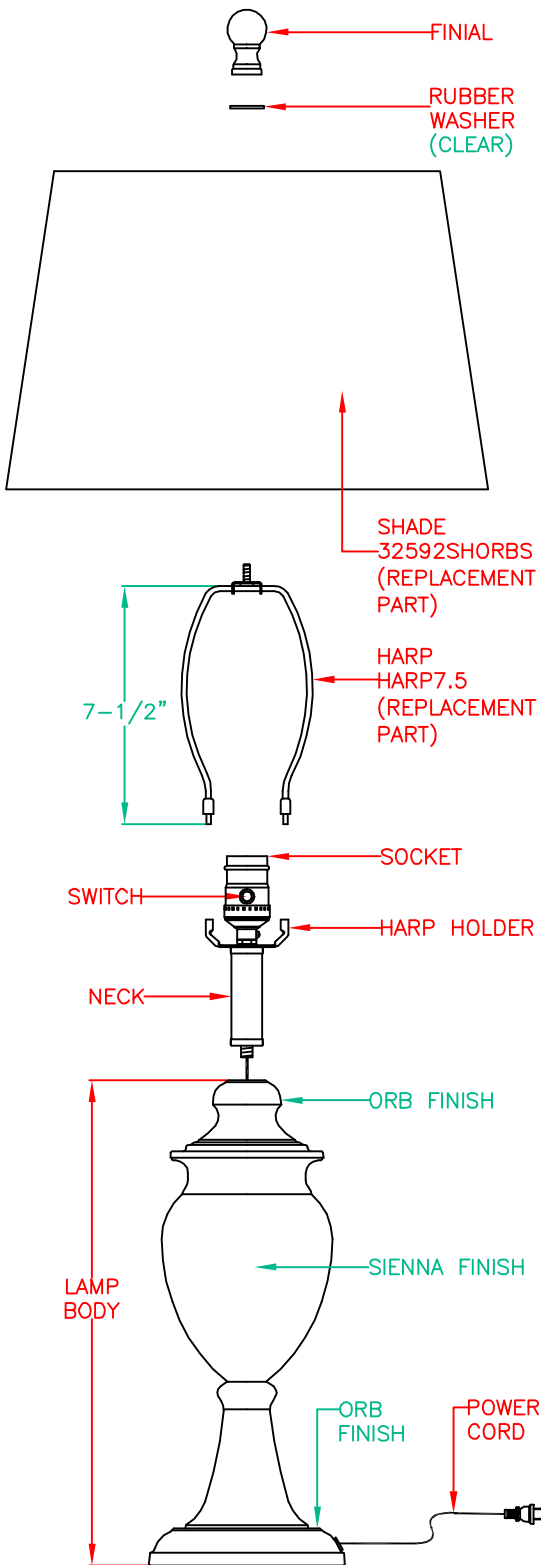


# PRODUCT SPECIFICATIONS



**AVAILABLE PARTS ARE:**  
 32592SHORBS (SHADE)  
 HARP7.5 (HARP)

**OVERALL ASSEMBLED DIMENSIONS**  
 HEIGHT: 72.4 CM (28-1/2"), WIDTH: 38.1 CM (15") DIA.

**1 LIGHT:** UL LISTED, 100 WATT, MEDIUM BASE E-26 ALUMINIUM SOCKET, ON/OFF ROTARY SWITCH. THE HARP, SADDLE, SPIDER AND SOCKET ARE PB FINISH.

**FINIAL:** PAINTED PLASTIC, 3.1 CM (1-1/4") DIA. x 5.1 CM (2") HEIGHT.

**SHADE:** CREAM TAPERED DRUM SHADE, 30.5 CM (12") DIA. (TOP) x 38.1 CM (15") DIA. (BOTTOM) x 25.4 CM (10") SLANT HEIGHT. SHAPED AS SHOWN. THE SPIDER DIAMETER IS NOT LESS THAN Ø3.5 MM. THE SHADE FABRIC CONTENT: 30% COTTON AND 70% TERYLENE.

**NECK:** PAINTED STEEL, 2.5 CM (1") DIA. x 7.6 CM (3") HEIGHT.

**LAMP BODY:** PAINTED STEEL, 15.2 CM (6") DIA. MAX. x 38.3 CM (15-1/8") HEIGHT. FELT PAD INSTALLED ON BOTTOM OF LAMP BODY.

**CORD:** UL LISTED, MIN 183 CM (6 FT.) LENGTH, 18 AWG., 2 CONDUCTORS, 105°C, TYPE SPT-2, SILVER/CLEAR COLOR. WIRES MUST BE LEAD FREE.

**LABELS:** UL AND CSA OR CUL, WARNING LABEL FOR PARTS, PARTS ARROW LABEL, MANUFACTURING DATE, MODEL # AND COUNTRY OF ORIGIN LABEL PROVIDED. RELAMPING LABEL FOR 100 WATT MAX. TYPE "A" BULB PROVIDED ON SOCKET.

## PACKAGING AND SHIPPING DETAILS

THE LAMP IS DISASSEMBLED FOR SHIPPING. EACH PART CAN NOT MOVE AROUND DURING SHIPPING. A SMALL BAG OF SILICA IS INCLUDED IN THE PACKAGE.

THE CARTON IS MADE OF DOUBLE WALL, CORRUGATED CARDBOARD "A MA A". BROWN IN COLOR. THE INNER PACKING IS DIE-CUT CARDBOARD OR STYROFOAM TO PROTECT AND SECURE THE LAMP AND MUST PASS THE FEDEX AND ISTA-3A DROP TEST REQUIREMENTS.

EACH CARTON SHALL BE PRINTED WITH A LINE DRAWING AND THE KENROY HOME NAME AND LOGO, MODEL NUMBER AND FINISH, EACH CARTON SHALL BE PROVIDED A UPC LABEL. THE UPC BAR CODE AS FOLLOWS: 053392096960.

## OTHER DETAILS

MODEL 32592ORBS INSTRUCTIONS ARE TO BE PACKED WITH EACH LAMP. INSTRUCTIONS MUST BE PRINTED CLEARLY ON QUALITY PAPER.

ALL VISIBLE PARTS, EXCEPT SHADE, MUST MATCH LAMP FINISH UNLESS OTHERWISE SPECIFIED.

ALL BAGS MUST BE LABELED WITH OFFICIAL "THIS BAG IS NOT A TOY" STATEMENT.

LAMP MUST REST FLAT ON SURFACE AND NOT ROCK. LAMP MUST PASS AN 8" TILT TEST.

ASSEMBLY TIME: 10 MINUTES.

THE CUL NUMBER IS E343723.

TWO TABLE LAMPS ARE INCLUDED.

THE SHIPPING MARK SHOULD SHOWN AS 1 SET, NOT 2 PCS.

DIMS OF BOX: 41 CM (16-1/8") LENGTH x 41 CM (16-1/8") WIDTH x 48.5 CM (19-1/8") HEIGHT. (CUFT.: 2.88')

NET WEIGHT: 3.7 LBS. GROSS WEIGHT: 7.5 LBS.

**KENROY HOME**

3723 Regent Boulevard  
 JACKSONVILLE, FL. 32224  
 PHONE: 904-642-4340  
 FAX: 904-642-4150

THIS DOCUMENT AND THE INFORMATION THAT IT DISCLOSES IS THE EXCLUSIVE PROPERTY OF KENROY HOME. ANY REPRODUCTION OR USE OF THIS DRAWING IN PART OR IN WHOLE, WITHOUT THE EXPRESS CONSENT OF THE PROPRIETOR IS PROHIBITED. © 2014 KENROY HOME.

DATE: 6/4/2014

SCALE: NONE

DRAWN BY: JAMES

REFERENCE: ELLIOT 2-PACK TABLE LAMPS

APPROVAL:

REVISION DATE: 11/25/14 add shade box  
 REVISION DATE:

REVISION DATE:

REVISION DATE:

MODEL #:

32592ORBS

FINISHES: ORB AND SIENNA

PAGE: 1 OF 1