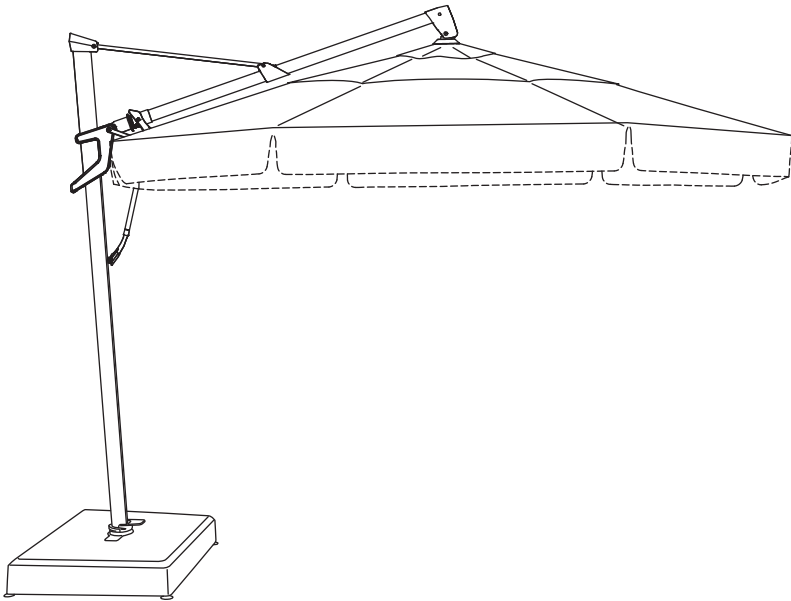


AKZP13/AKZPRT/AKZP *13'OC/10'x13'RT/11'OC* **Cantilever**

Assembly and Operation Guide



Thank you for purchasing Treasure Garden's AKZP Cantilever Umbrella.

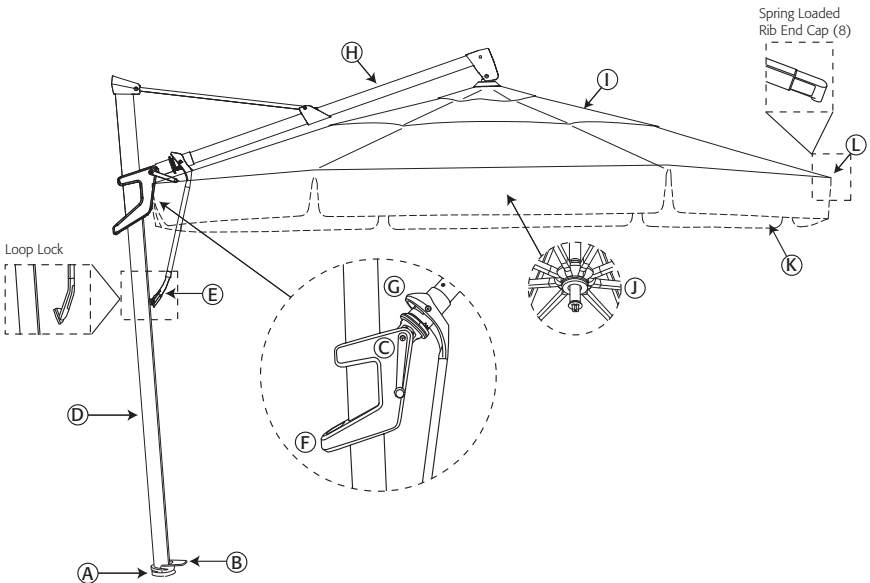
Please remove all contents from the package, inspect and review checklist.

CAUTION: To reduce personal injury and damage to your umbrella, read and follow this assembly and operation guide. We recommend a two-person team for assembly and disassembly. *Save information for future reference.*








CHECKLIST

- A - 360° Rotating Hub
- B - Foot Pedal
- C - Crank Lift Handle
- D - Main Frame Stand
- E - Tilt Lever
- F - Main Frame Grip

- G - Tilt Degree Scale
- H - Canopy Support Beam
- I - Canopy - Single or Double Wind Vent
- J - Light Adapter (light sold separately)
- K - Valance (optional)
- L - Spring Loaded Rib End Cap



AKZP PART LIST

Part	Description	Qty.
①	 AKZP Main Frame	1
②	 Crank Lift Handle	1
③	 Hub Bolts	5
④	 Washers	5
⑤	 8mm Hexagon Wrench	1
⑥	 6mm Hexagon Wrench	1
⑦	 2.5mm Hexagon Wrench	1

IMPORTANT:

Prior to assembly it is important to decide on the location of the umbrella.

- Allow ample height to avoid damage to your umbrella during assembly and usage.
- Choose a location that is level and sturdy.
- Avoid any sloping or soft ground.
- Consider a location that will maximize the umbrella's rotating swivel function. Placing the umbrella between two entertaining areas is ideal.

Storage:

- **Properly store umbrella when not in use. Close umbrella, tie string around canopy and cover umbrella with provided protective cover.**

NOTE: Some parts may be included in the styrofoam packaging.
DO NOT discard any packaging or box until assembly is complete.

CAUTION: Fully assembled, the umbrella weighs *over 500 lbs.*

Moving the umbrella fully assembled will increase the risk of damage to your umbrella and/or can cause serious injury. *We recommend a two-person team for assembly and disassembly.*

NOTE: REFER TO SEPARATE BASE-13 OR MOUNT KIT MANUAL FOR BASE ASSEMBLY PRIOR TO PROCEEDING.

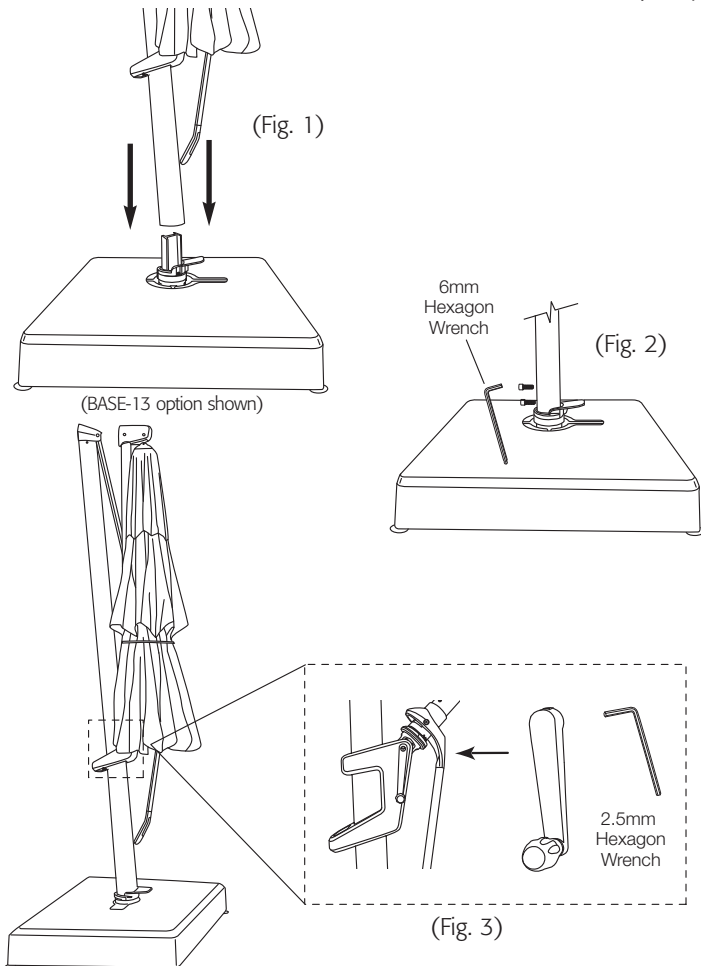
STEP 1 Umbrella Assembly

Two-persons recommended for team lift and to complete assembly.

With base cover in place or mount kit installed, insert the main frame onto the installed rotating hub (Fig. 1) [align tilt lever with foot pedal]. Assembled in upright position, insert the (2) bolts and (2) washers and tighten using 6mm hexagon wrench provided (Fig. 2). Install the crank lift handle onto the mid-area of the main frame. Use the 2.5mm hexagon wrench provided to lock in the small screw (Fig. 3).


REMOVE ALL PLASTIC PACKAGING MATERIAL FROM ALL PARTS PRIOR TO OPENING UMBRELLA. CHECK UNDER CANOPY FOR PACKAGING AROUND RIBS.

Your umbrella is now ready to operate!

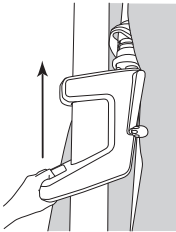


STEP 2 Operation

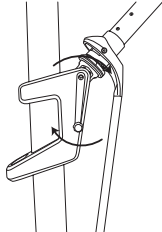
To Open Canopy:

Position yourself behind umbrella. Squeeze the main frame grip handle and slide handle midway up main frame (Fig. 4). Release grip handle to lock into place. Slowly turn the crank lift handle clockwise  to open the umbrella (Fig. 5). **CAUTION:** When cranking umbrella open, if you feel resistance and the umbrella is not opening, do not force crank. Gently spread umbrella ribs with hands, then continue to crank open. Once fully opened, squeeze the main frame grip handle to release lock and continue to slide handle upward until desired height is reached (Fig. 6).

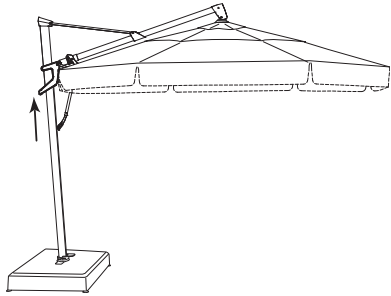
WARNING: Do not continue to crank once umbrella canopy is completely open, it may impair your ability to disengage the tilt lever. Keep hands free of mainframe while moving grip handle up and down.



(Fig. 4)



(Fig. 5)



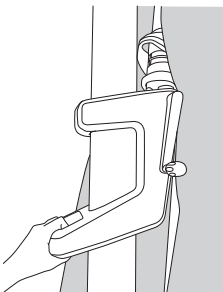
(Fig. 6)

IMPORTANT: PRIOR TO USING HORIZONTAL AND VERTICAL TILT FEATURE. To avoid personal injury or damage to the umbrella, make sure the area behind you is clear and free from any furniture or structure.

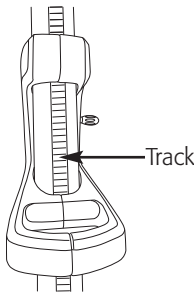
To Tilt Canopy Vertically:

Position yourself behind umbrella. Squeeze main frame grip handle (Fig. 7) to disengage from track (Fig. 8) and guide main frame grip down main frame until desired degree of vertical shade is reached (maximum back angle of 40° from ground level) (Fig. 9). Release grip handle to lock into place.

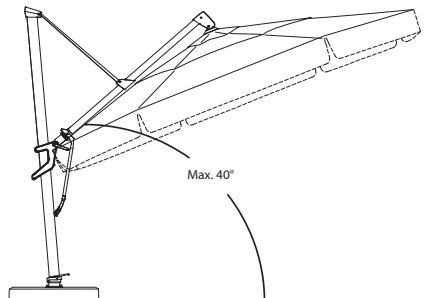
WARNING: Make sure tilt is secure in track. Do not tilt umbrella past the track. Keep hands free of mainframe while moving grip handle up and down.



(Fig. 7)



(Fig. 8)

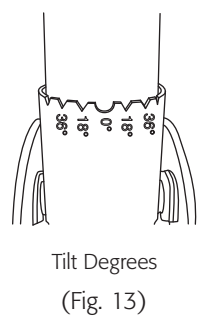
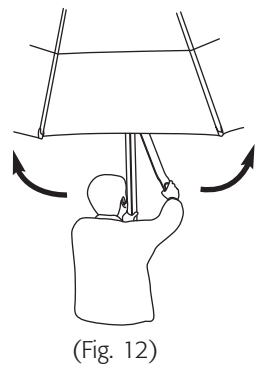
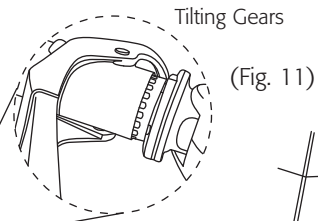
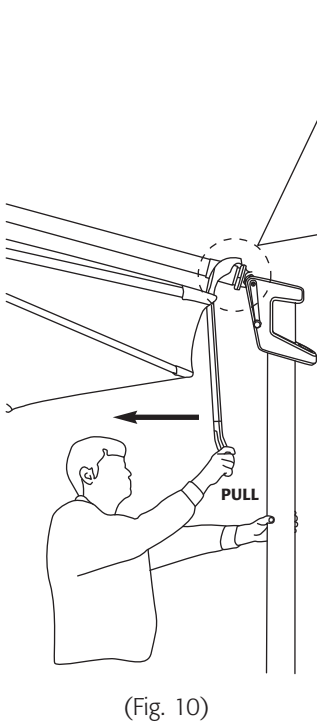


(Fig. 9)


IMPORTANT: PRIOR TO USING HORIZONTAL AND VERTICAL TILT FEATURE. To avoid personal injury or damage to the umbrella, make sure the area behind you is clear and free from any furniture or structure.

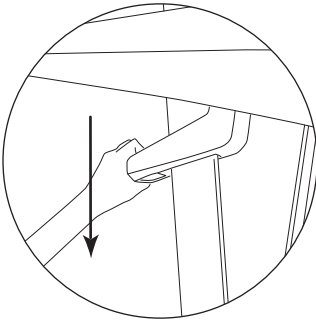
To Tilt Canopy Horizontally:

Make sure canopy is fully OPEN. Position yourself in front of the tilt lever and pull loop lock from main frame track (Fig. 10). Pull out further to disengage tilting gears and reveal gear teeth (Fig. 11). Move the tilt lever to the left or right, opposite the desired tilt direction (Fig. 12). Use the tilt degree scale as a guide (Fig. 13). Now, push forward slightly to re-engage tilting gear teeth. Move tilt lever to center position (canopy should be moving also) and snap the loop lock back into main frame track.

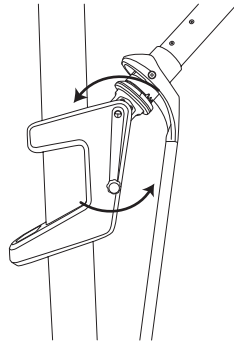


To Close Canopy:

Position yourself behind umbrella. Squeeze the main frame grip handle and slide handle midway down main frame (Fig. 14). Release grip handle to lock into place. Slowly turn the crank lift handle counter-clockwise  until the canopy is fully closed (Fig. 15). Squeeze main frame grip handle to release lock and continue to slide grip handle downward SLOWLY until umbrella is fully closed in an upright position (Fig. 16) and locks into position. **NOTE:** Prior to closing ensure that the canopy is in a level (non-vertical tilt) position. Properly store umbrella when not in use. Close umbrella, tie string around canopy and cover umbrella with provided protective cover.



(Fig. 14)



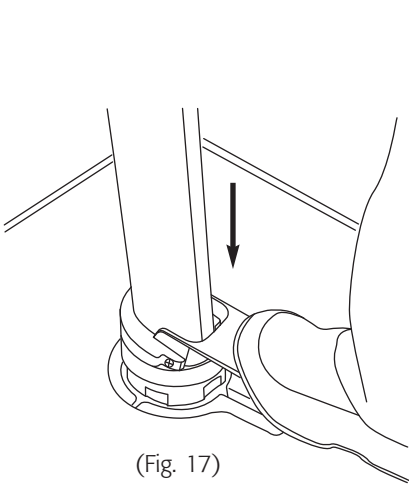
(Fig. 15)



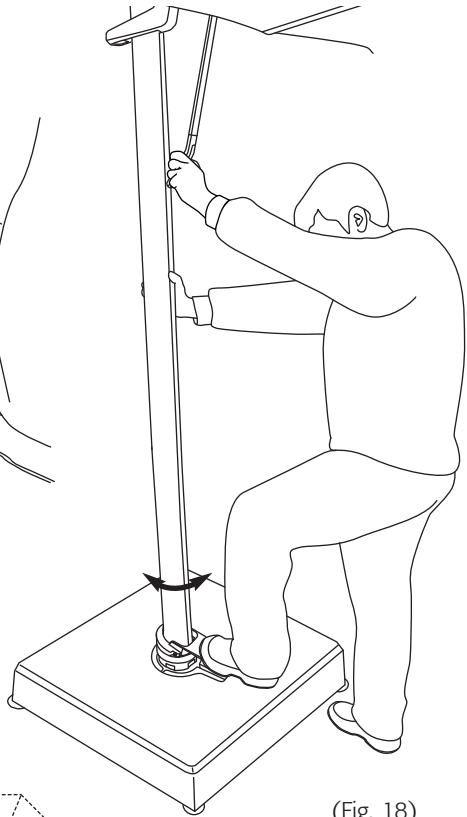
(Fig. 16)

To OPERATE the 360° Rotating Hub Swivel:

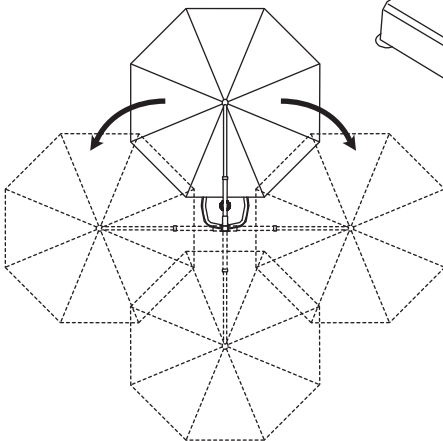
Place your foot on the foot pedal of the rotating hub and *step-on* the foot pedal to release rotating lock (Fig. 17). Place one hand on the main frame and one hand on the tilt lever (Fig. 18), swivel the umbrella frame in either direction until desired position is reached (Fig. 19). Step off the foot pedal to engage rotating lock and lock position (you will hear the pedal click, as it reaches the next available lock position).



(Fig. 17)




(Fig. 18)



(Fig. 19)


To ATTACH Umbrella Light: (sold separately)

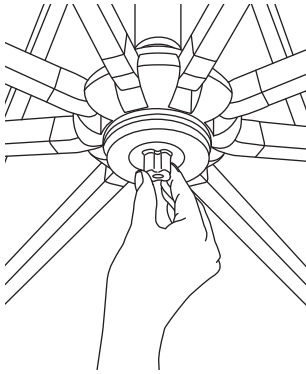
Loosen the light adapter built into the umbrella runner by turning counter-clockwise  (Fig. 20). After loosening, pull down light adapter post (Fig. 21) to attach the umbrella light (sold separately).

To OPEN and ATTACH Light:

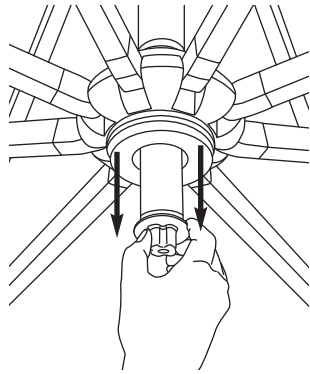
Open the Treasure Garden umbrella light by holding firmly with one hand and then depress the clamp release button with the other hand to release the clamp lock. Open up the light and clasp around the light adapter post (Fig. 22). Snap to close (Fig. 23).

To REMOVE Light and CLOSE adapter:

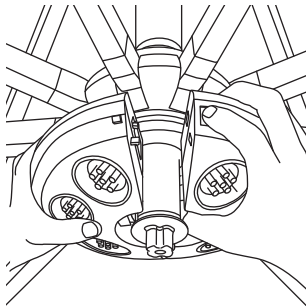
Hold the umbrella light, depress the clamp release button to release the clamp lock. Remove umbrella light and gently push up the light adapter post back into umbrella runner and tighten turning clockwise  **NOTE:** It is not necessary to remove light to close umbrella.



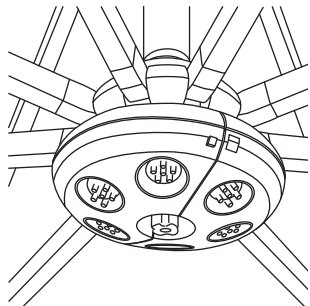
(Fig. 20)



(Fig. 21)



(Fig. 22)



(Fig. 23)

S A F E T Y P R E C A U T I O N S :

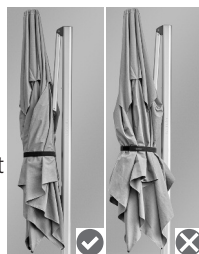
- When adjusting the umbrella, make sure that no person(s) or item(s) are close to the umbrella. This is important to prevent injury or material damage.
- Close the umbrella in windy conditions or when a storm approaches. Never allow the umbrella to flap in the wind; this could damage the canopy. If damage occurs, this is not covered by the warranty.
- Do not leave open umbrella unattended. If damage occurs, this is not covered by the warranty.
- Properly store umbrella when not in use. Close umbrella, properly fold canopy, tie string around canopy and cover umbrella with provided protective cover. See instructions below.

T O P R O P E R L Y F O L D C A N O P Y :

The canopy will last longer if you fold it as it was packed and shipped. This technique is similar to the way a parachute is folded and is especially important when folding the canopy for seasonal storage or when left in the closed position for an extended period of time.

Using this technique at all times will significantly extend the life of the canopy.

- When the canopy has been fully lowered, stand in front of the canopy structure and begin the folding process by pulling out two panels opposite the mast. Pull the two panels together and roll tight into the canopy.
- Once rolled tight, pull adjacent panels out one at a time and fold to the center, alternating sides until all the panels have been pulled out from the arms and folded into the center.
- Tie string around canopy and cover umbrella with provided protective cover.



C A R E A N D M A I N T E N A N C E :

- When not in use, close and cover umbrella with a protective cover.
- If necessary, clean the fabric with lukewarm water, mild detergent, and a sponge.
- Allow a wet canopy to dry slightly opened, but do not leave unattended.
- Wipe sliding marks on the aluminum poles with a damp cloth.

Winter Storage:

- Store in a dry place.

After the Winter:

- Check the condition and function of the umbrella. Any defects must be repaired by a professional.

WARRANTY:

Treasure Garden warrants this product (in residential use) to be free from defects in original materials and workmanship for a period of 2 year from the date of purchase. If a defect in the original material or workmanship appears during the warranty period; Treasure Garden will (at its option) repair or replace the product without charge.

Simply contact your original authorized Treasure Garden dealer with a description of the defect. The dealer will verify the defect and work closely with Treasure Garden to obtain the necessary service. In many cases, simple problems can be solved with a replacement part that can be shipped directly to the dealer for professional installation / repair.

In the event that warranted factory service is required, Treasure Garden will assume the responsibility of the return

freight charges on warranted product for the first year only.

Returned product that (upon receipt and inspection) is deemed to be "not covered" under our warranty, will be shipped / billed at your expense.

This warranty gives you specific legal rights, and you may have other rights which vary from state to state.

RUST: Rust is a natural part of the aging process of steel or iron based materials, and is therefore NOT considered a defect.

NOTE: Failure caused by unreasonable or abusive use, or failure caused by neglect of reasonable and necessary care are not covered by this warranty.

Additionally, acts of nature (including but not limited to wind, hurricanes, tornadoes, and storms) are not covered by this warranty.



www.treasuregarden.com

©2018 Treasure Garden, Inc. - All Rights Reserved.

10/18